

ASSEMBLY INSTRUCTION

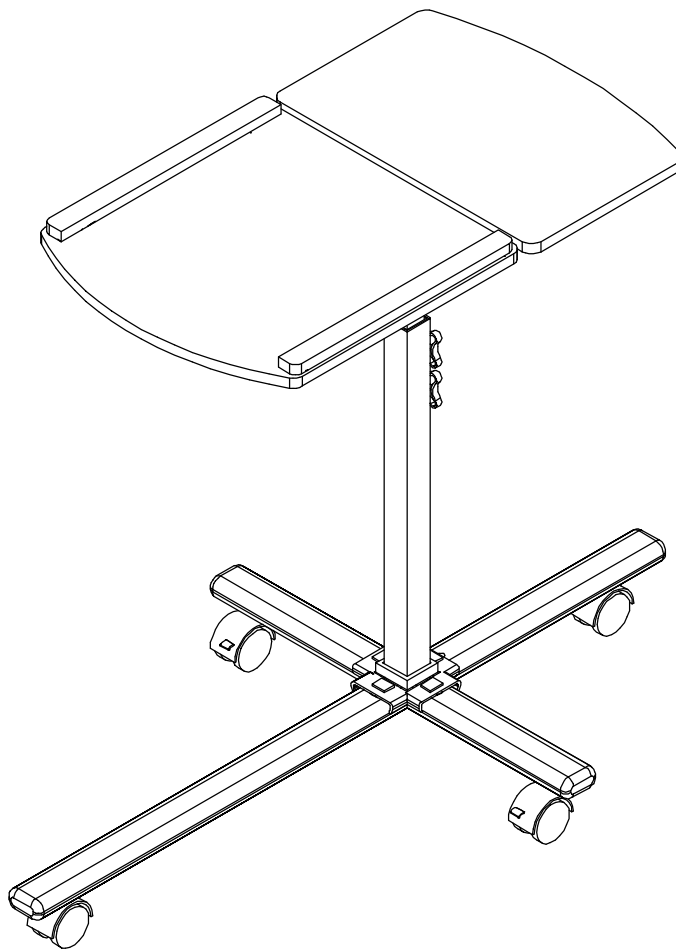
MODEL RTA-B003

IMPORTANT: Surfaces must be cleaned with a smooth soap and water solution, then cleared with a dry towel. Do not use solvents over surfaces or structural tubes.

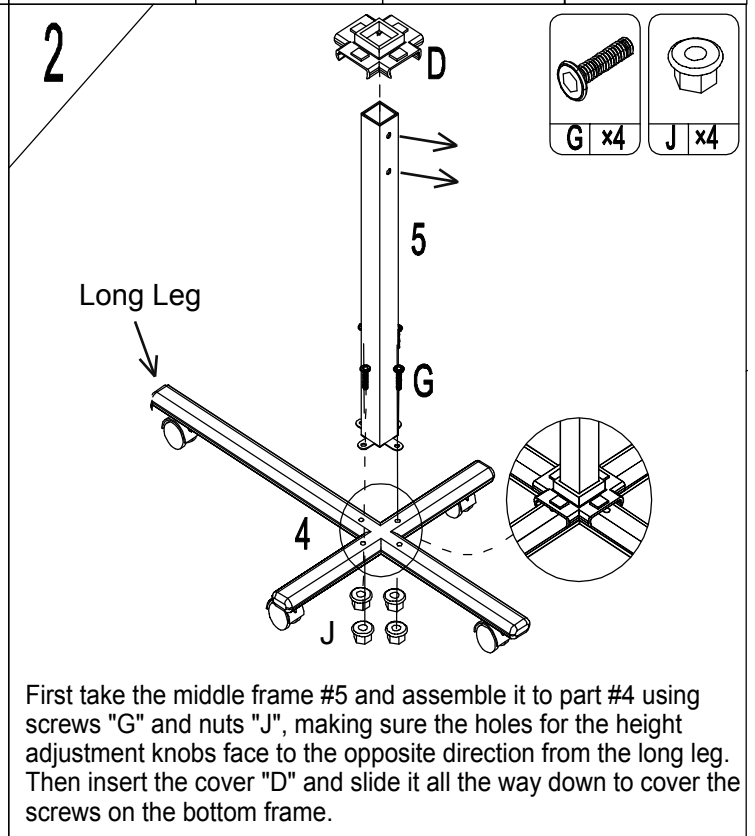
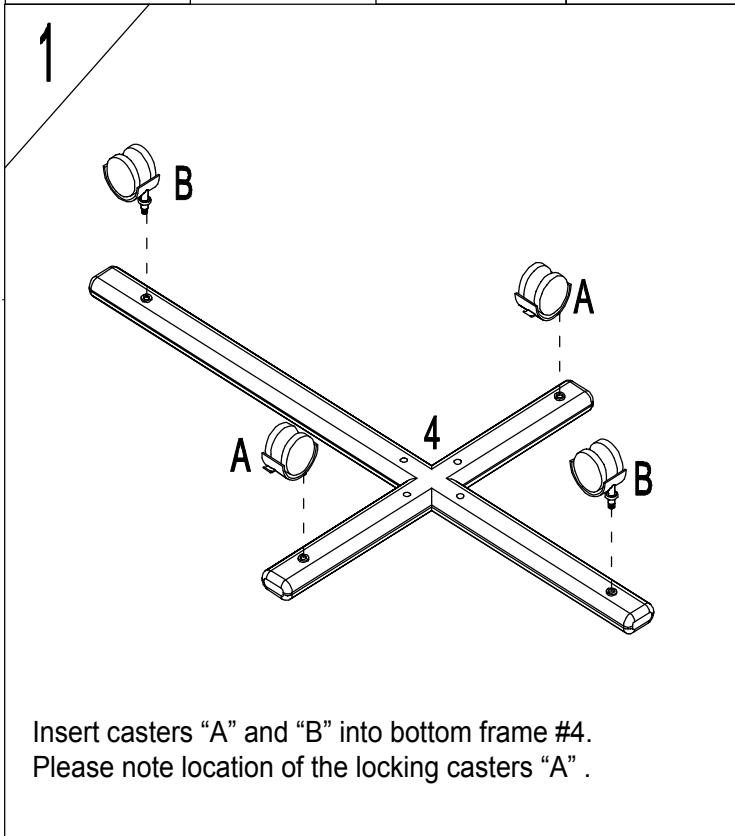
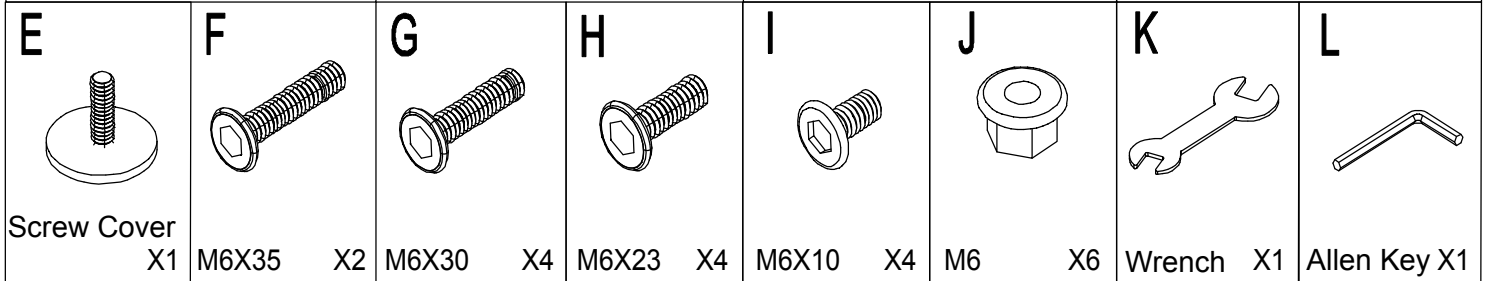
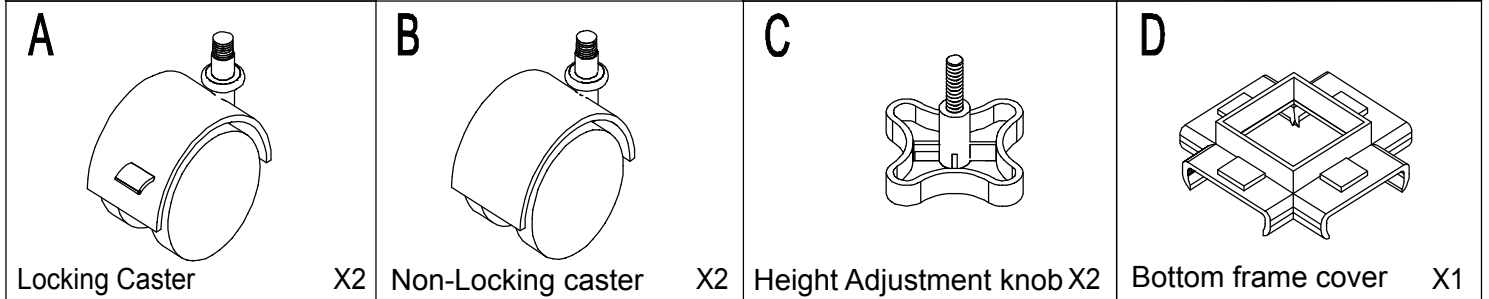
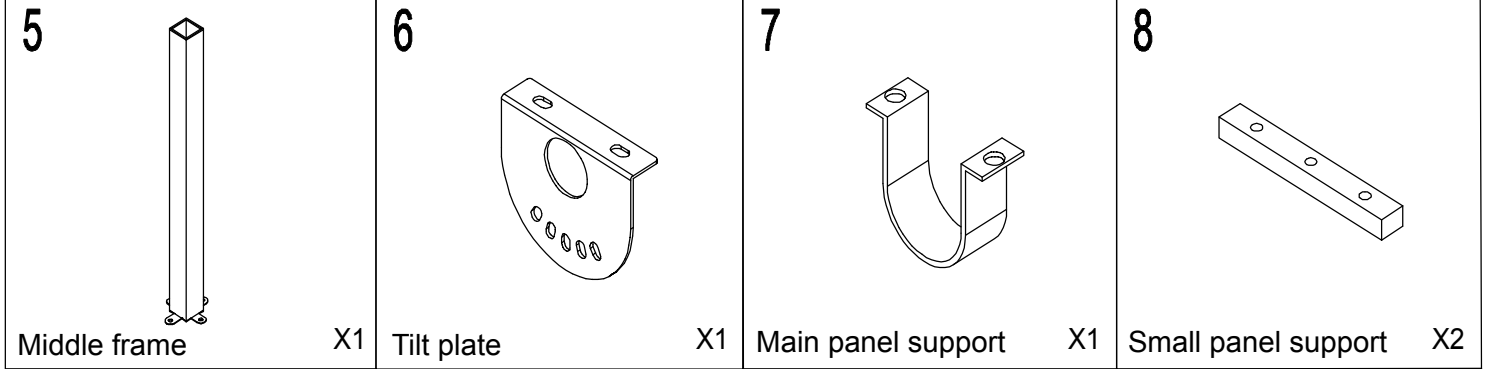
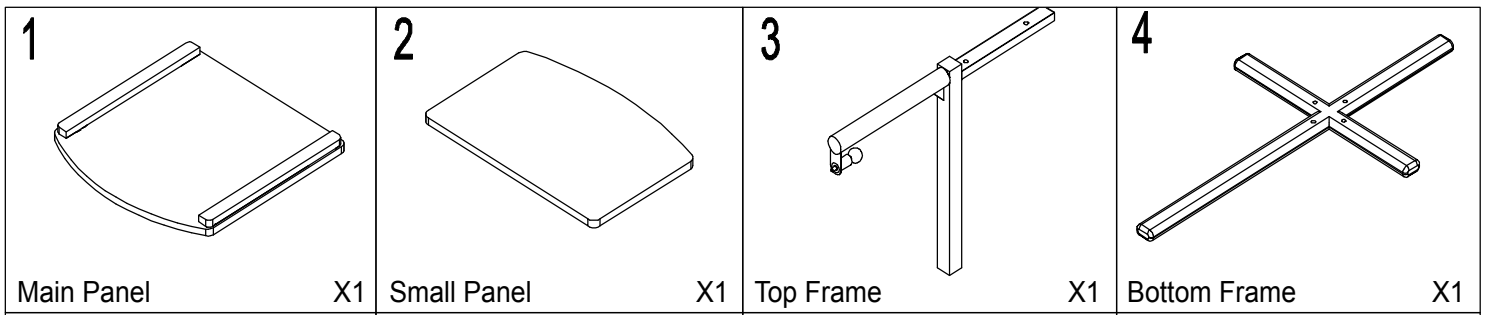
Thanks for purchasing one of our products.
Please read carefully the assembly instructions before the installation.
Please save this manual for future reference

WARNING:

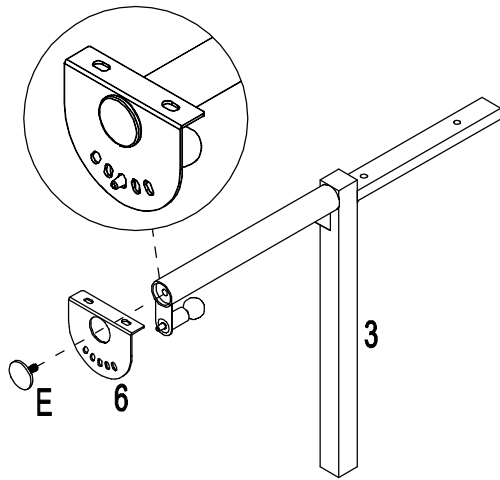
DO NOT EXPOSE THE SURFACES TO DIRECT SUN LIGHT. EXPOSURE WILL DAMAGE IT SURFACES, WHICH WILL NOT BE COVERED UNDER THE PRODUCT'S WARRANTY.



MODEL RTA-B003

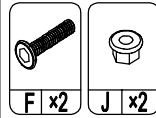
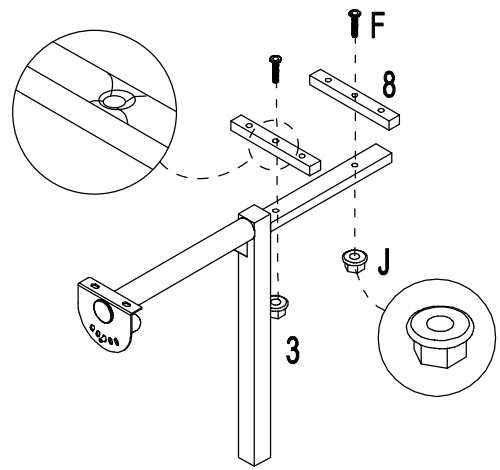


3



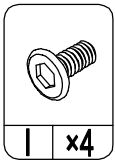
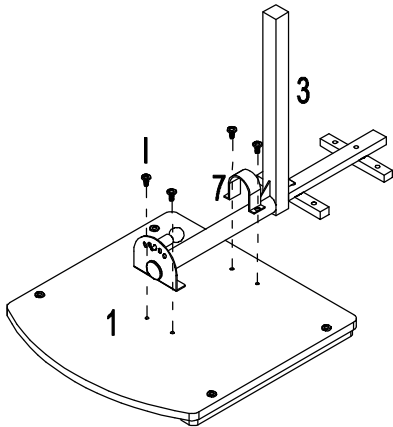
Take the tilt plate #6 and insert it into round tube of part #3 and affix it with part "E".

4



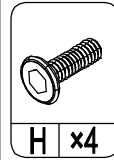
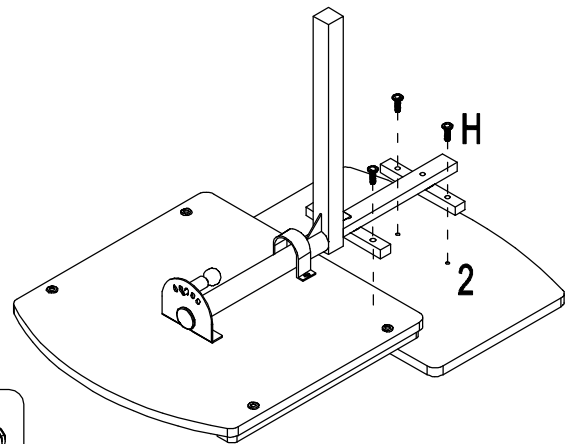
Take both metal parts #8 and place them on the other side of the top frame #3 and affix them with "F" and "J".

5



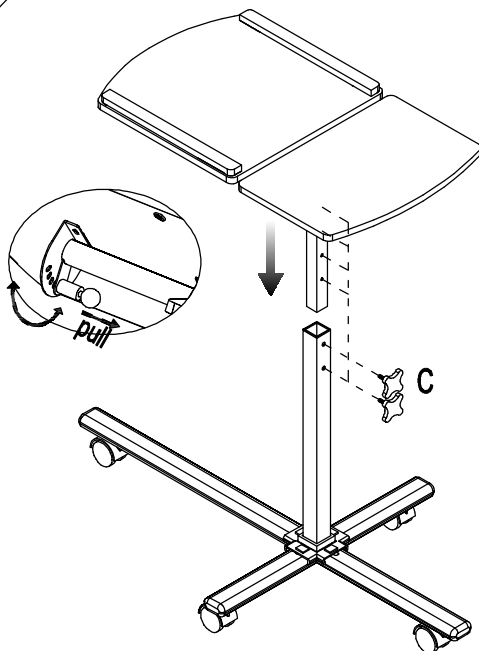
With the main panel #1 upside-down, place the completed top frame on it, making the holes on the tilt plate coincide with the set of holes in the center of the panel, then affix the tilt plate and the part #7 using screws "I" as shown.

6



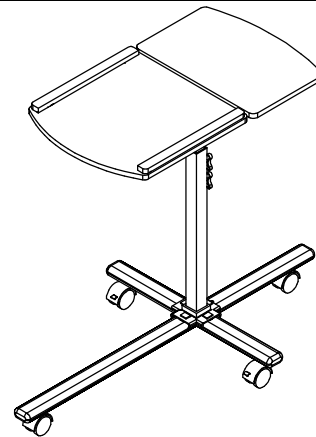
Now take small panel #2 and attach it to top frame #3 with screws "H".

7



Insert the top frame into the middle frame, and after selecting a desired height, insert the height adjusting knobs "C" into the holes and tighten them. To adjust the tilt angle of the main panel, pull the round head knob located behind the tilt plate, and release it when the desired angle is reached

8



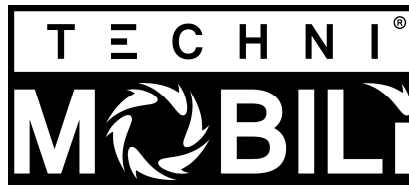
ATTENTION: AS A SAFETY PRECAUTION, REMOVE ALL OBJECTS FROM THE PRODUCT EVERYTIME YOU NEED TO ADJUST THE HEIGHT OR THE ANGLE OF THE ITEM.

PROBLEM WITH YOUR PURCHASE?

Contact Us First!

- **ORDER PARTS ONLINE** at: Technimobili.com
- E-mail us at: warranty@rtaproducts.com
- Call Customer Service at: **1-866-782-5520**

(Customer Service available: M - F • 9:00am - 4:30pm ET)



PRODUCT WARRANTY

COMPUTER DESKS, FILING CABINETS, LAPTOP CARTS

LIMITED 5-YEAR WARRANTY

RTA Products, LLC warrants to the Original Purchaser who acquired a new product from RTA Products or its authorized resellers that this product will be free from defects in its workmanship and materials, under normal use and service conditions, as described herein. "Defects" as used in this warranty, is defined as any imperfections that impair the use of the furniture or product. RTA products will repair or replace, at its option, without charge to the original purchaser 'other than freight from purchaser to RTA Products, only the defective products or parts for a period of FIVE (5) Years.

Replacement parts can only be supplied if parts are available. Items out of production may be unavailable. This warranty will be effective for the applicable time period beginning the date of purchase on your original sales receipt. RTA product's obligation under this warranty is limited to repairing or replacing products or parts as provided herein. This product has been designed for and is intended for office and home-office use only. This warranty is Original Purchaser's sole remedy for product defects, and this warranty does not extend to any product, or damage to any product, caused by or attributed to abuse or misuse, products used for commercial or rental purposes, use modifications of, or attachments to the product, and products or parts not used, maintained, or extended hereunder is in lieu of any and all other warranties, express or implied, including without limitations any implied warranty or merchantability or of fitness for a particular purpose. Please note, all desks made with PVC Laminate surface should not be exposed to direct sunlight, as it may damage the material. Damage of this nature is not covered under this warranty.

RTA Products will not be responsible for indirect, special, incidental or consequential damages. This warranty is limited to merchandise purchased in the Continental United States. Some States do not allow the exclusion or limitation of incidental or consequential damages, so the above limitations or exclusions may not apply to you. This warranty gives you specific legal rights. You may also have other rights that may vary from state to state.

RTA Products will advise you of the procedure to follow in making warranty claims. The following are the procedures for warranty claims:

- a. Call us Monday – Friday, from 9am-5pm (Eastern Time) at (866) 782-5520 to explain the defect and give your name, address and phone number. Please have ready the model number of our product, date and place of purchase. You can also write to us by e-mail to warranty@rtaproducts.com and include the same information.
- b. If we determine that replacement will remedy the situation, and in order to determine the extent or the cause of the defect, purchaser will need to send the part in question at purchaser's expense. Once we receive the part, we will examine it and determine whether the claim is valid (or not), and then proceed to send the replacement. We will ship the replacement at our expense.

FOR SEVERAL HELP OPTIONS INCLUDING REPLACEMENT PARTS ORDERS

VISIT: **WWW.TECHNIMOBILI.COM**

 CLICK ON SUPPORT TAB

OR EMAIL US: **SUPPORT@RTAPRODUCTS.COM**



Scan QR Code to order
replacement parts