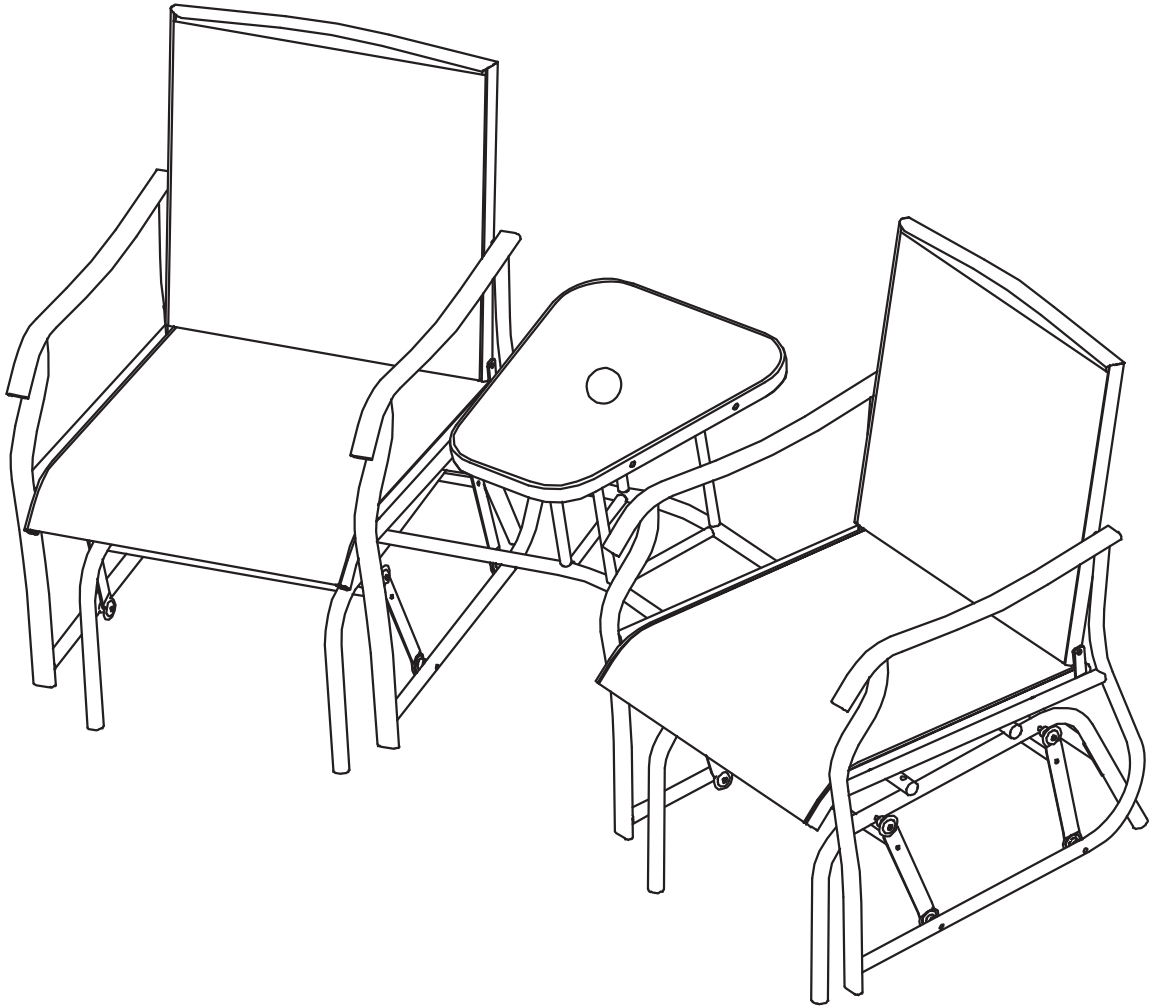




VEIKOUS



INSTRUCTION MANUAL



VEIKOUS

THANK YOU FOR CHOOSING VEIKOUS!

YOU WILL NEVER KNOW

HOW EASILY YOU COULD ENLIGHTEN YOUR LIFE

WITH SUPERIORITY AND PLEASURE

NOW YOU KNOW IT

- FOR MORE COST-EFFECTIVE PRODUCTS.

VISIT WWW.VEIKOUS.COM.

- IF YOU HAVE ANY PROBLEM.

E-MAIL US AT CUSTOMERSERVICE@VEIKOUS.COM

TOOLS REQUIRED



PHILLIPS
SCREWDRIVER

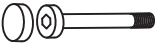
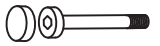
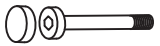
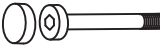

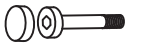






1 PERSON
ASSEMBLY



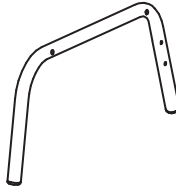
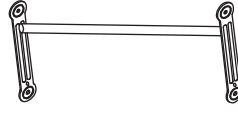


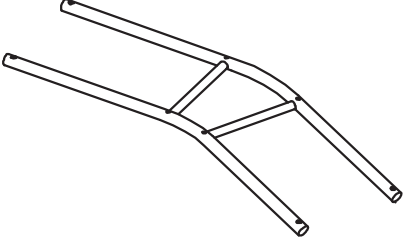
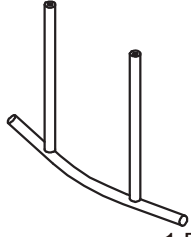
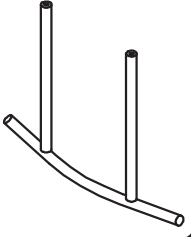
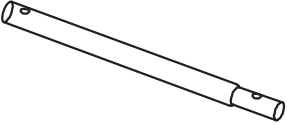
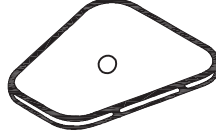


APPROXIMATELY
20 MIN.
ASSEMBLY

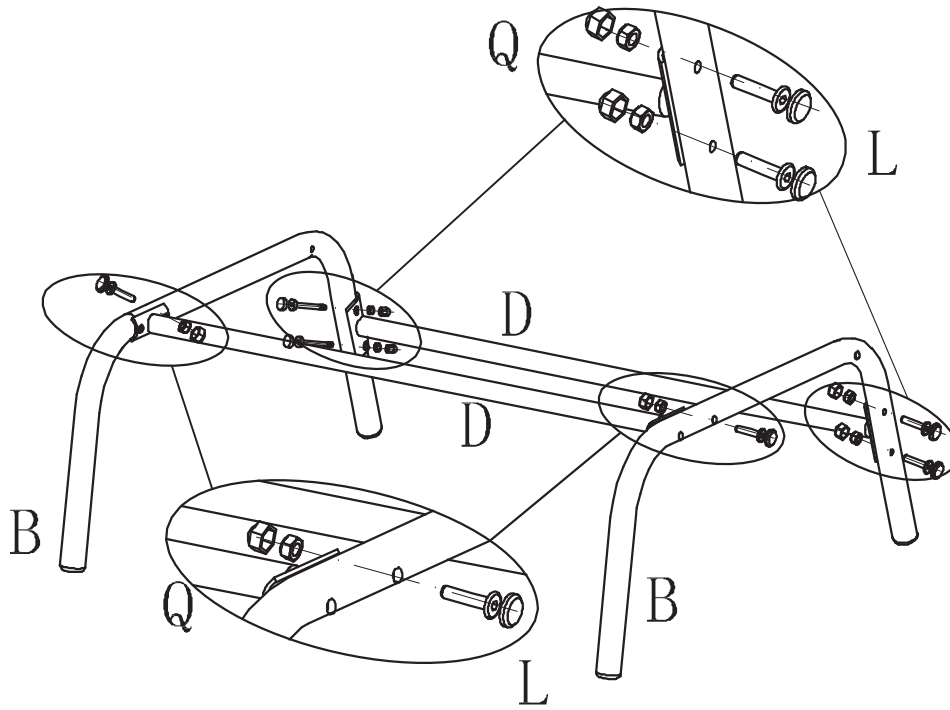
HARDWARE

K  M6X48 Bolt 4 PCS	F  M6X38 Bolt 24 PCS	M  M6X45 Bolt 12 PCS	M  M6X58 Bolt 8 PCS	O  M6X15 Bolt 4 PCS	P  M6X30 Bolt 4 PCS
Q  40 PCS	R  8 PCS	S  4 PCS	W  Tool 1 PC		

PARTS

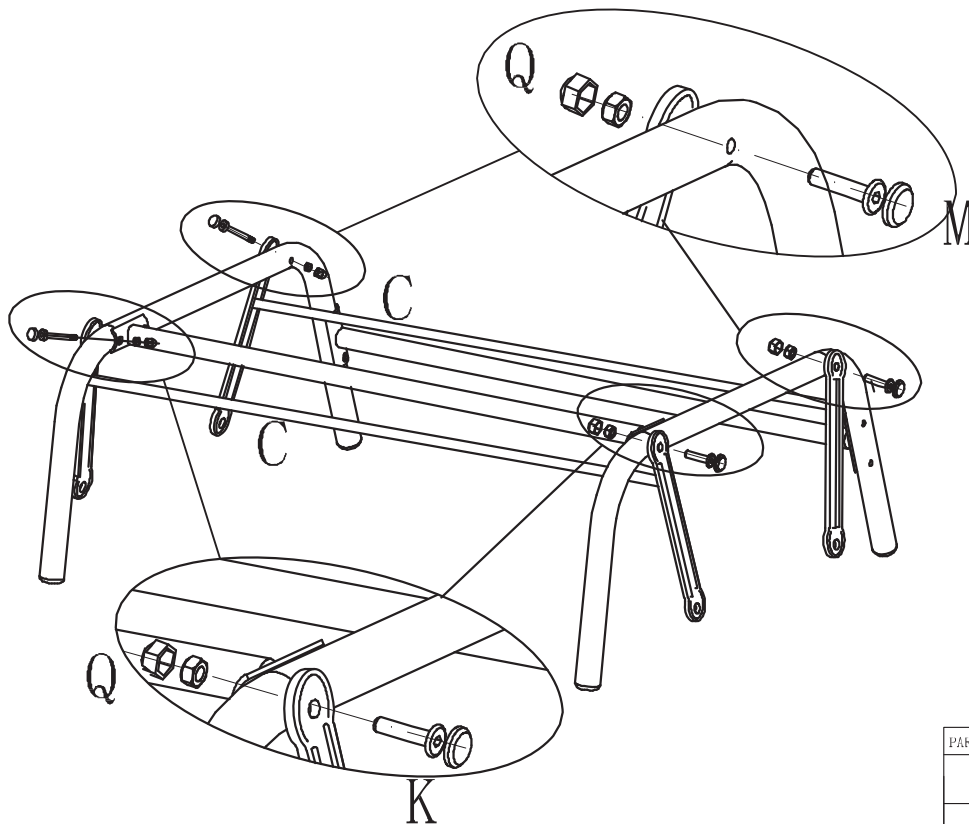
A  2 PCS	A1  2 PCS	B  4 PCS	C  4 PCS
D  4 PCS	E  2 PCS	F  1 PC	
G  1 PCS	H  1 PCS	I  4 PCS	V  1 PC

①



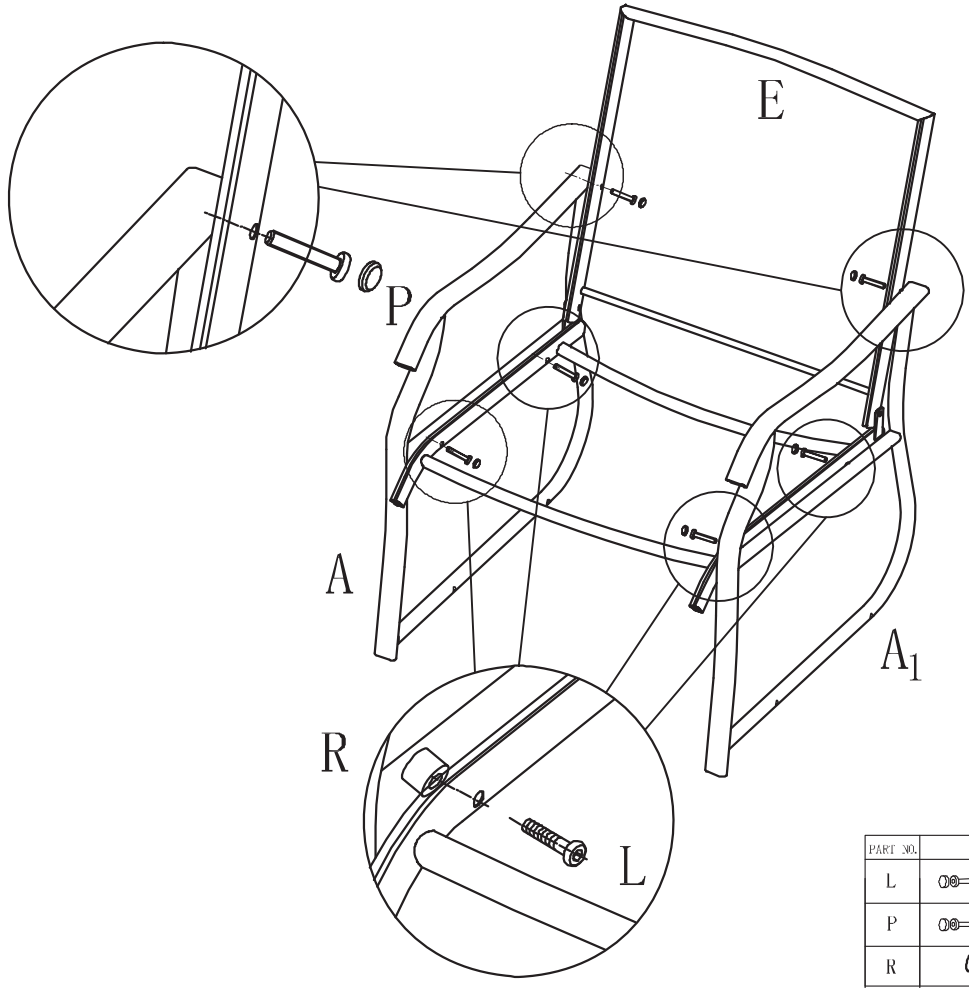
PART NO.	PART	QTY
L	M6*38	6
Q	M6	6
W		1

②







PART NO.	PART	QTY
K	M6*48	2
M	M6*45	2
Q	M6	4
W		1

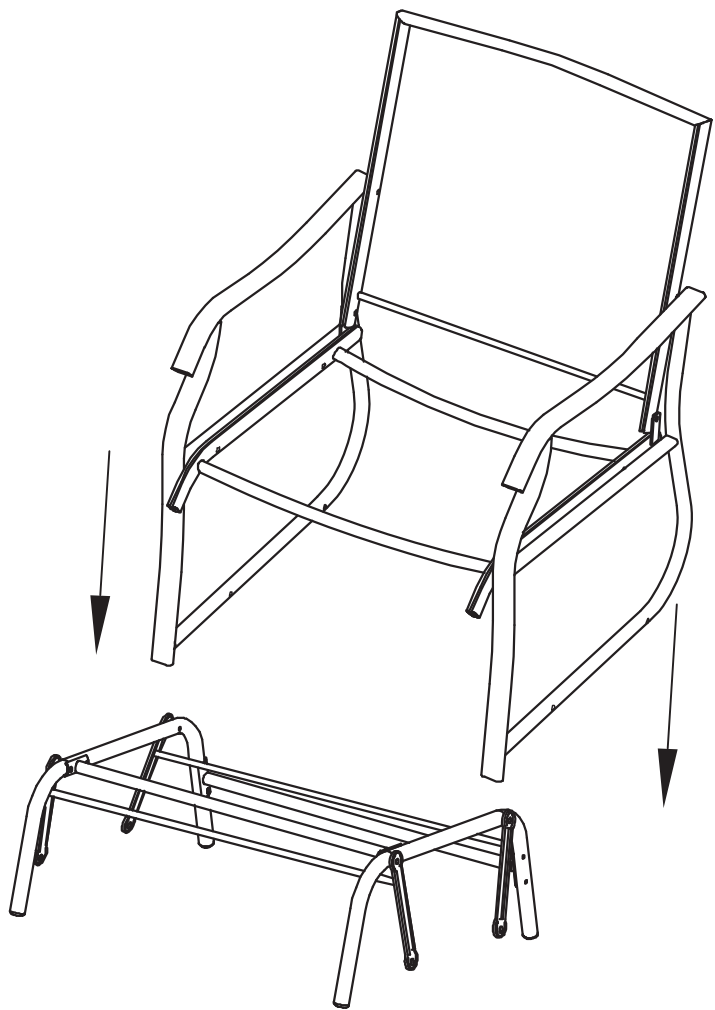
③



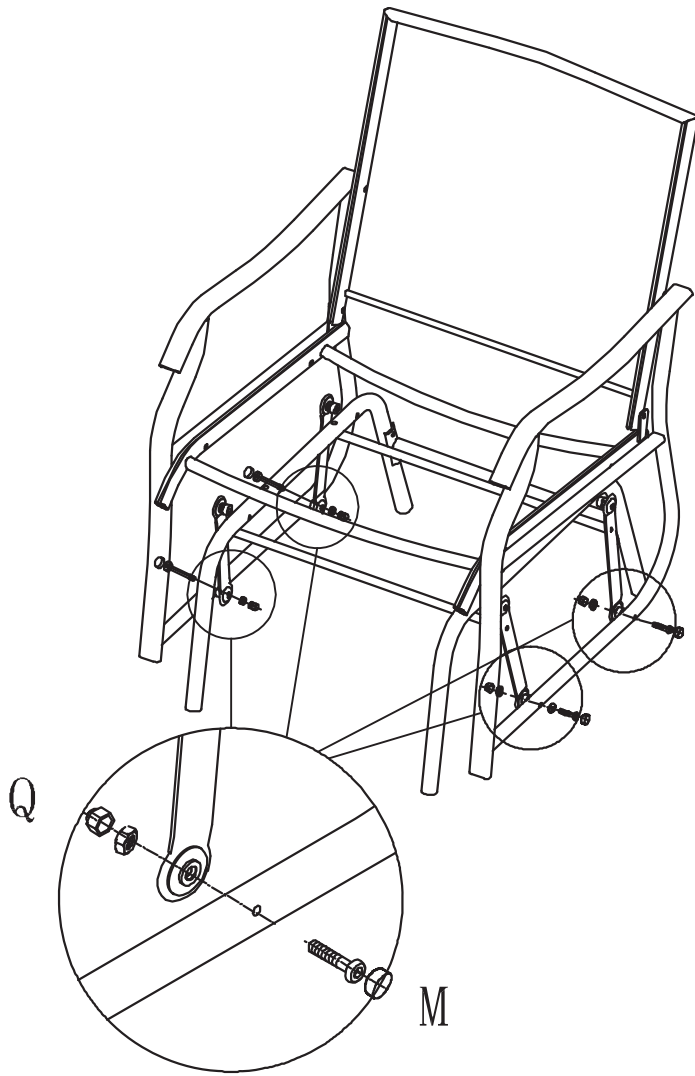
NOTICE:
Be sure to add plastic gaskets R.




PART NO.	PART	QTY
L	 M6*38	4
P	 M6*20	2
R		4
W		1

④

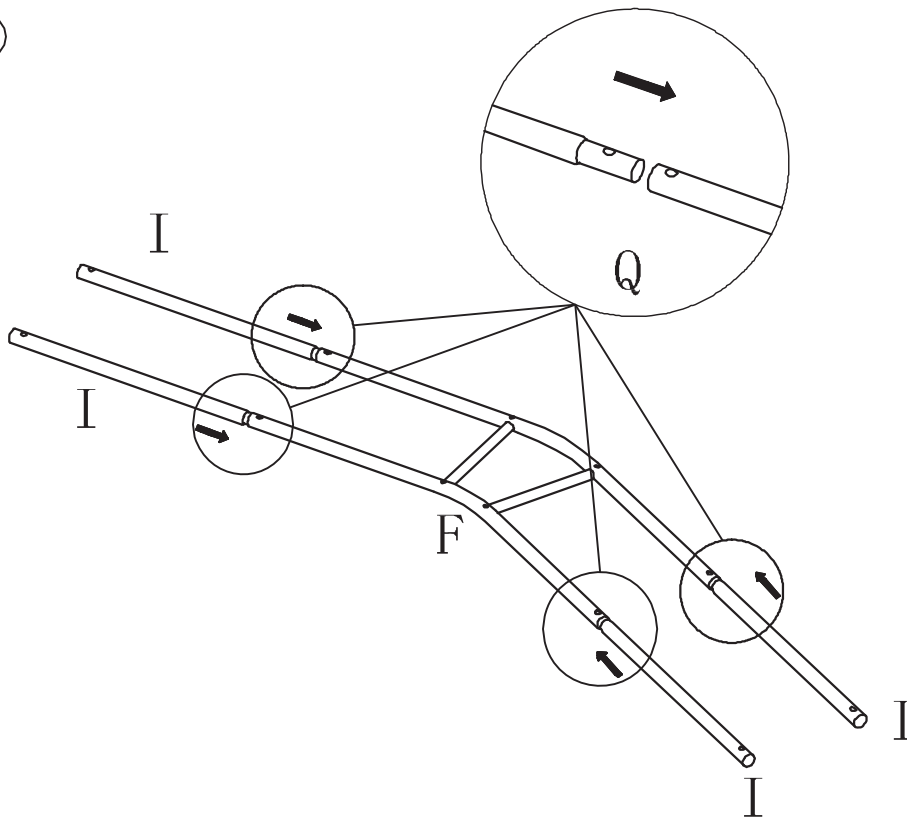


⑤

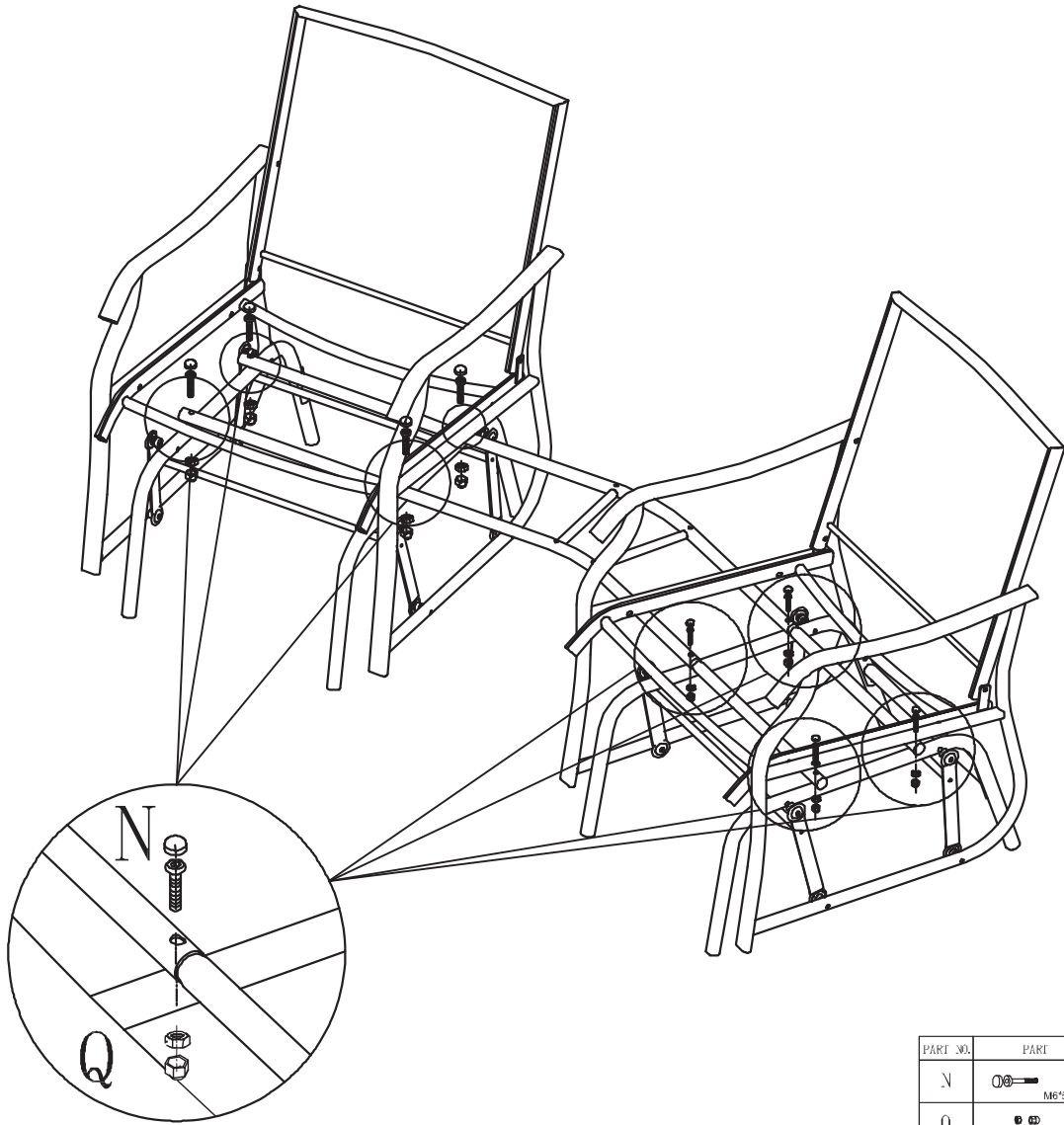


PART NO.	PART	QTY
M	 M6*45	4
Q	 M6	4
W		1

⑥

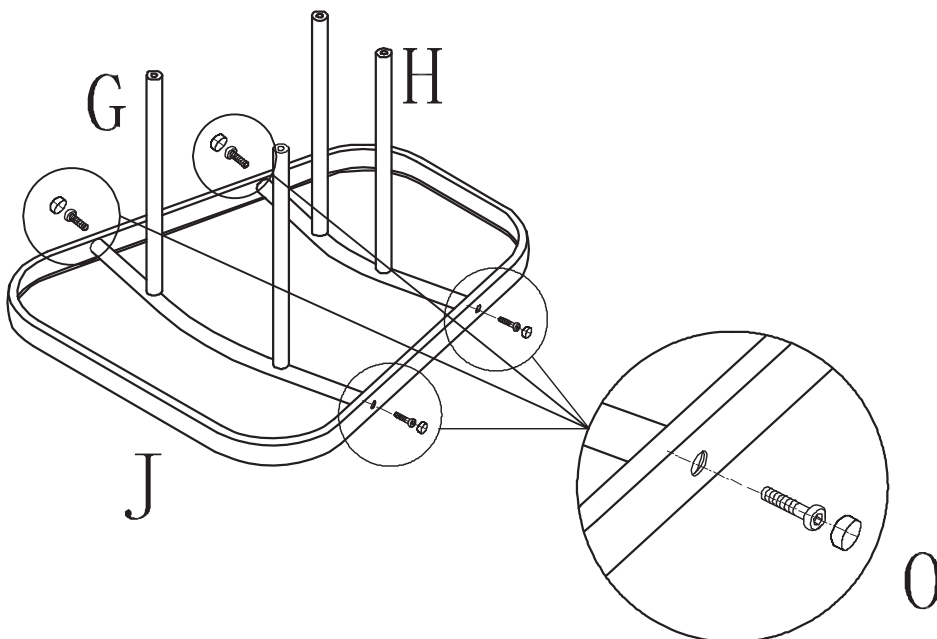


7



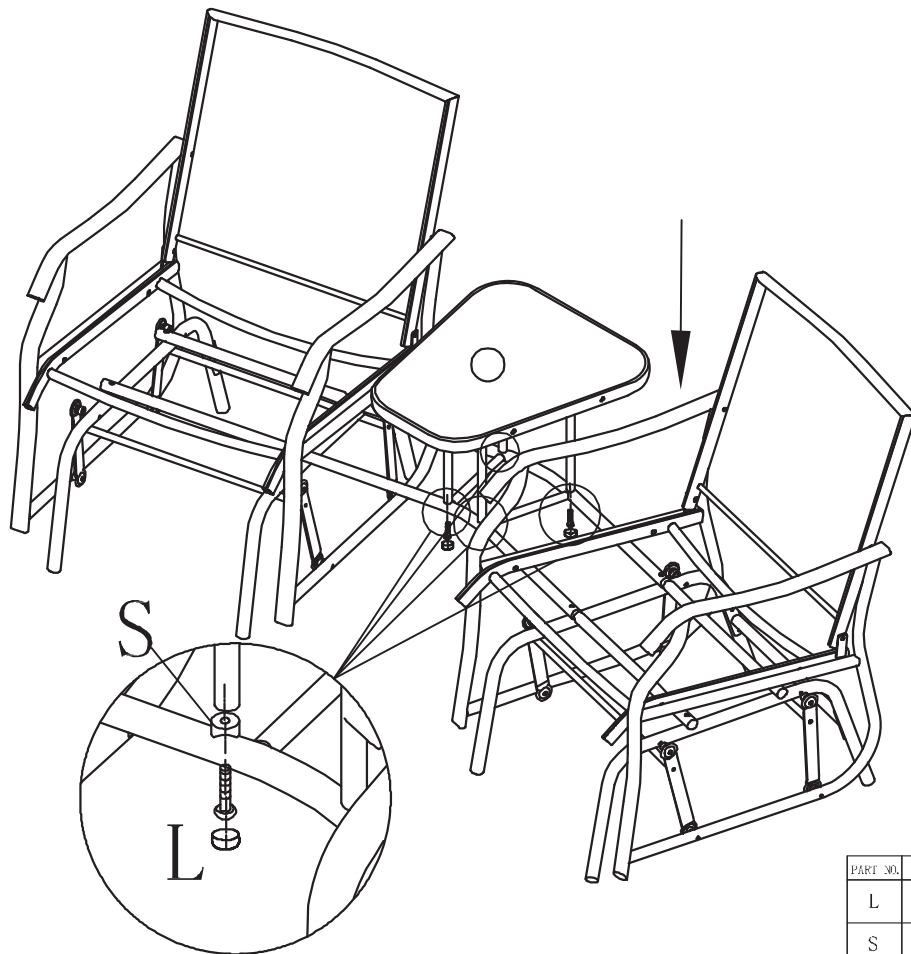
PART NO.	PART	QTY
N	M6*58	8
Q	M6	8
W		1

8






PART NO.	PART	QTY
O	M6*15	4
W		1

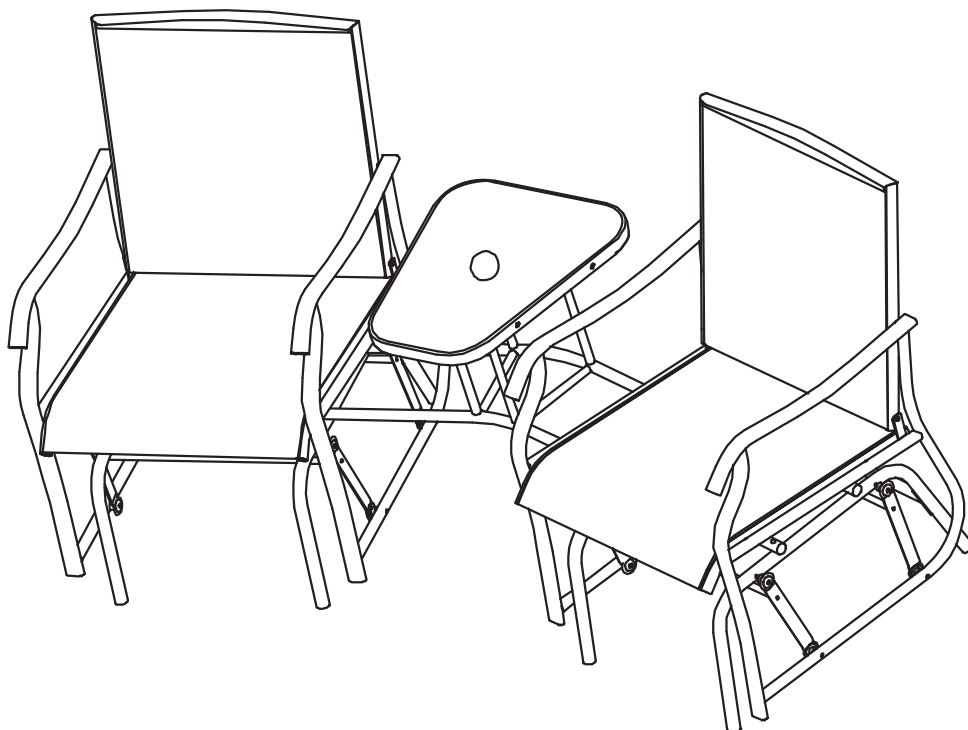
9



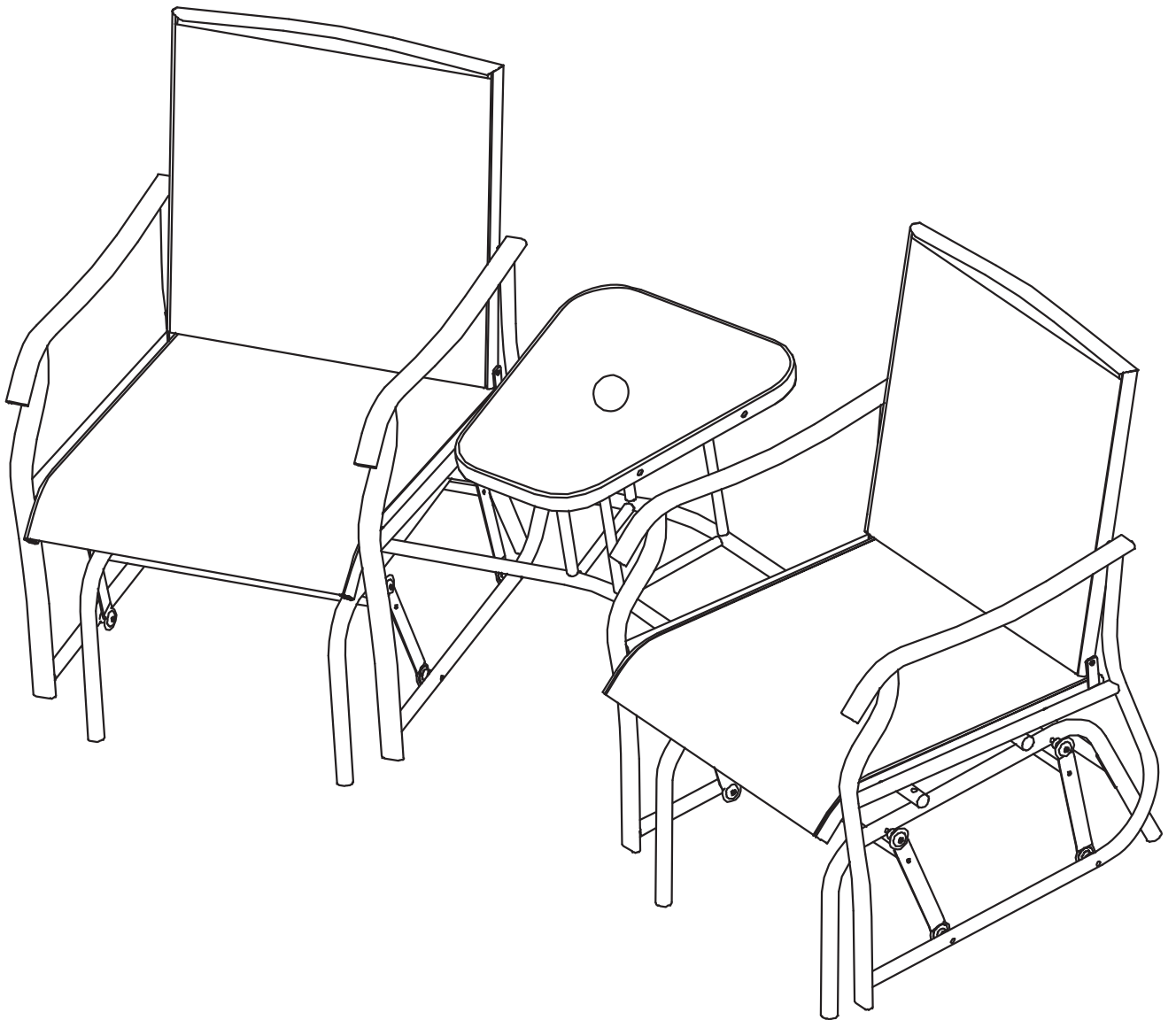
NOTICE:
Be sure to add plastic gaskets S.

PART NO.	PART	QTY.
L	 M6*38	4
S		4
W		1

10



ENJOY YOUR PRODUCT!



WARNING

Manufacturer and seller expressly disclaim any and all liability for personal injury, property damage or loss, whether direct, indirect, or incidental, resulting from the incorrect attachment, improper use, inadequate maintenance, or neglect of this product.