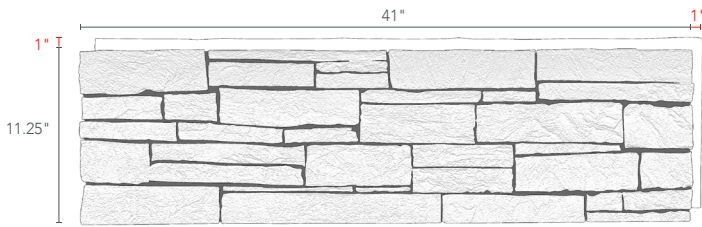


Stacked Stone System

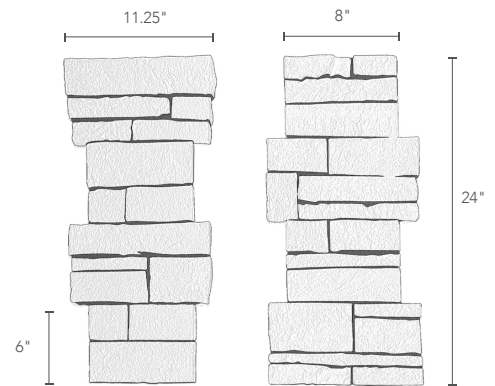
Measurement Guide

GenStone panels, corners, ledgers, trim can be installed over any flat surface including wood, concrete, brick and stucco.

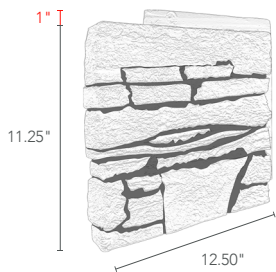
FULL PANEL



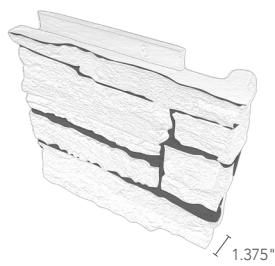
PILLAR PANELS



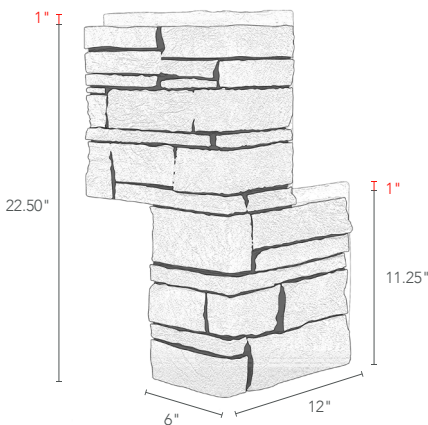
RIGHT RETURN



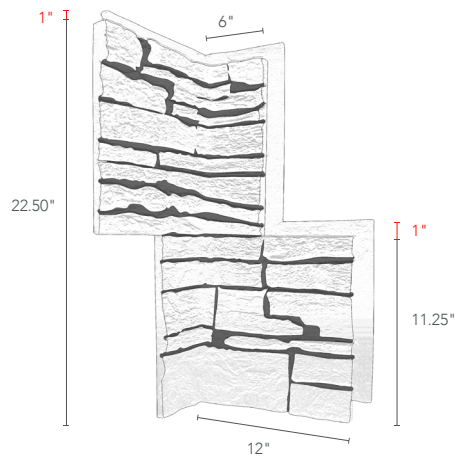
LEFT RETURN



OUTSIDE CORNER



INSIDE CORNER



TIPS FOR SUCCESS

SHIPLAP AREA
Do Not Include in Your Overall Measurements

COVERAGE AREA
Include in Your Overall Measurements

PRODUCT FEATURES

- 25 YEAR WARRANTY
- 3.41 R-VALUE

GenStone®

EMAIL
info@genstone.com

CALL
1-855-397-1294

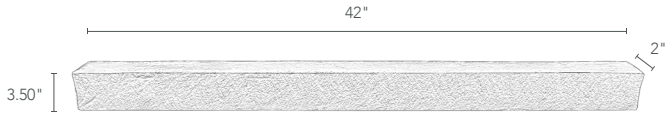
ONLINE
www.genstone.com

Stacked Stone System

Measurement Guide

GenStone panels, corners, ledgers, trim can be installed over any flat surface including wood, concrete, brick and stucco.

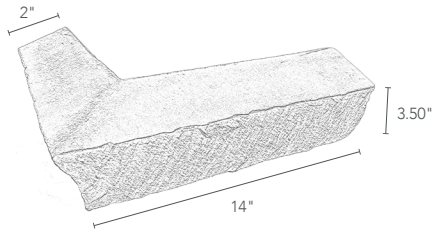
LEDGER



TRIM

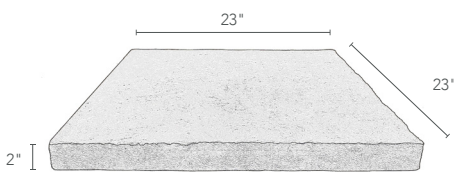


OUTSIDE CORNER LEDGER

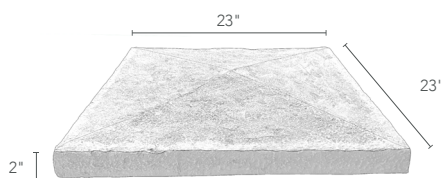


COLUMN CAPS

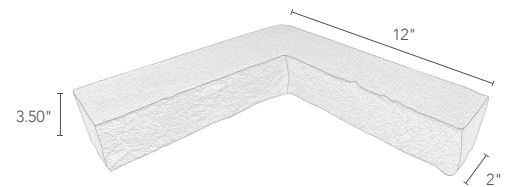
FLAT COLUMN CAP



PEAKED COLUMN CAP

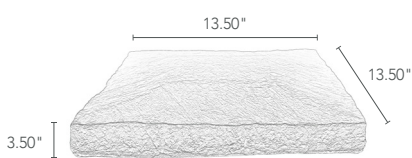


INSIDE CORNER LEDGER



PILLAR CAPS

FLAT PILLAR CAP



PEAKED PILLAR CAP



WALL CAP

