

**RYOBI**  
**Power Head**  
**Item No. RY40007**  
**Mfg No. 315580001**  
**Repair Sheet**

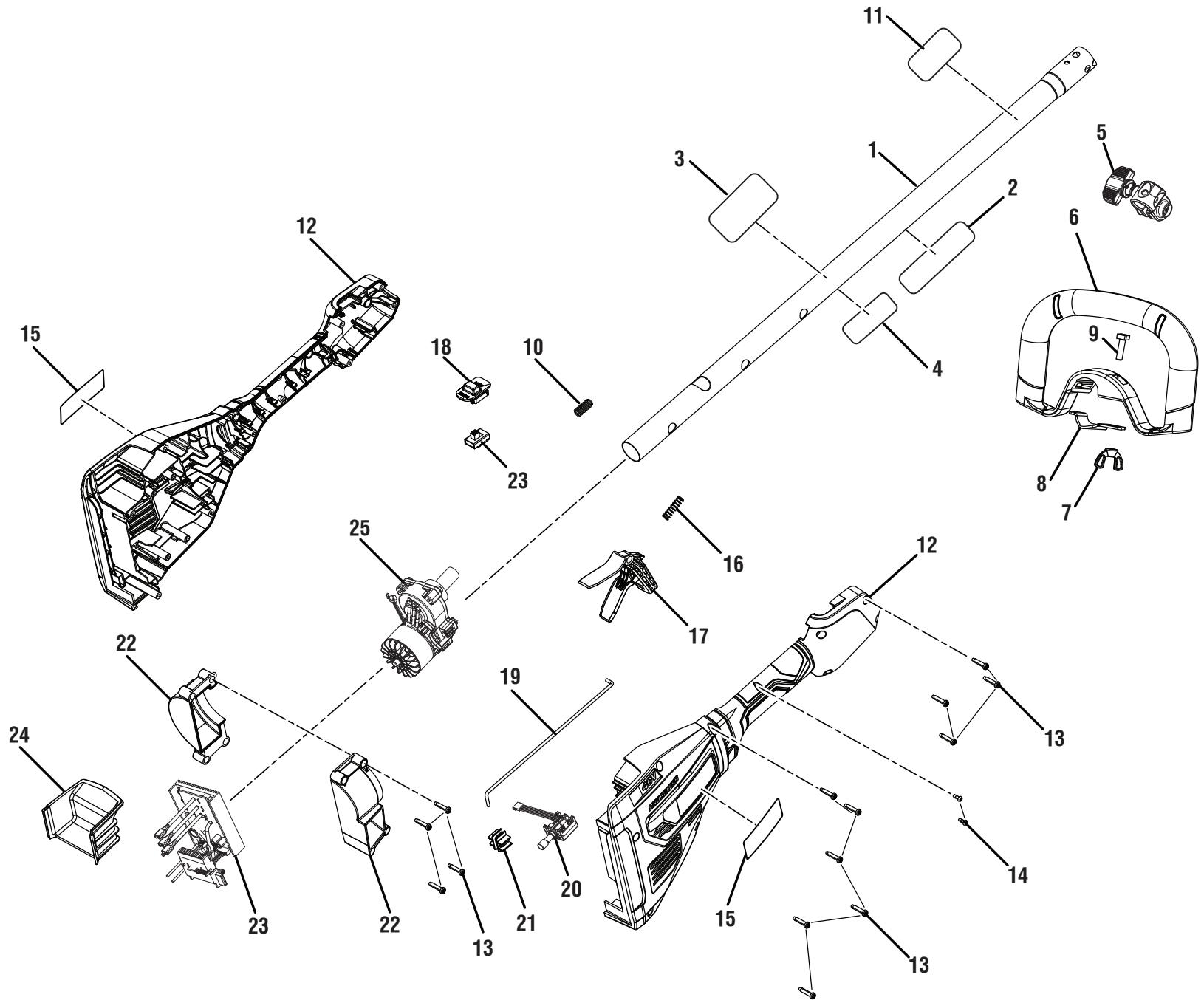
**TECHTRONIC INDUSTRIES POWER EQUIPMENT**

P.O. Box 1288, Anderson, SC 29622

Phone 1-800-860-4050

[www.ryobitools.com](http://www.ryobitools.com)

RYOBI POWER HEAD – ITEM NO. RY40007



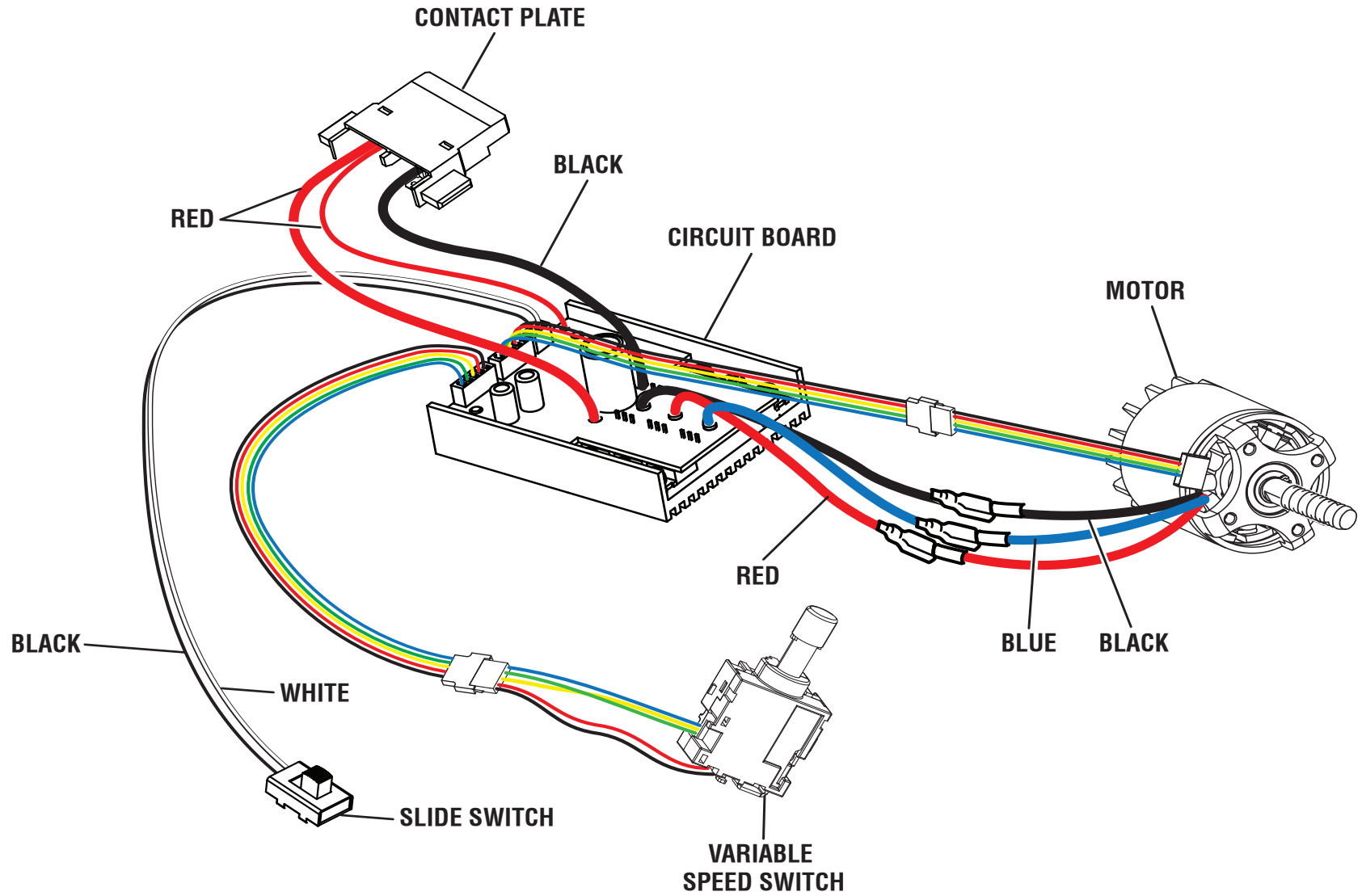
**RYOBI POWER HEAD – ITEM NO. RY40007**

The item and manufacturing number will be found on a label attached to the boom assembly. Always mention the item and manufacturing number of your **POWER HEAD** when requesting service or ordering repair parts.

**PARTS LIST**

<b>KEY NO.</b>	<b>PART NUMBER</b>	<b>DESCRIPTION</b>	<b>QTY</b>	<b>KEY NO.</b>	<b>PART NUMBER</b>	<b>DESCRIPTION</b>	<b>QTY</b>
1	315648001	Upper Boom Assembly (Inc. Key Nos. 2-4 & 11).....	1	16	695180001	Compression Spring (Trigger Lock).....	1
2	941013005	Warning Label (French/Spanish).....	1	17	313687001	Switch Trigger Assembly w/Lock-Out.....	1
3	941013004	Warning Icon Label.....	1	18	534157001	Slide Switch Cover.....	1
4	941851235	Data Label.....	1	19	639787001	Rod.....	1
5	314562001	Boom Clamp Assembly.....	1	20	760579005	Variable Speed Switch.....	1
6	308056009	Front Handle Assembly (Inc. Key Nos. 7-9).....	1	21	534149001	Switch Cap.....	1
7	518949001	Wing Nut (1/4-20).....	1	22	313350001	Motor Volute Assembly.....	1
8	639167001	Assist Handle Clamp.....	1	23	313240001	Electric Controller and Switch Assembly.....	1
9	660857001	Screw (1-1/4-20 x 1 in. Square Hd).....	1	24	534155001	Bucket Housing.....	1
10	690140011	Compression Spring.....	1	25	313244001	Motor & Gear Box Assembly.....	1
11	941851150	Attachment Capable Label.....	1		<b>Not Shown</b>		
12	313242004	Rear Handle Assembly (Inc. Key No. 15).....	1		995000923	Operator's Manual	
13	661864007	Screw (M4 x 18 mm, T15 Torx Pan Hd.).....	14		1-8-20		
14	660203052	Screw (M3 x 8 mm, Pan. Hd.).....	2		(Rev:02)		
15	940705393	Logo Label.....	2				

RYOBI POWER HEAD – ITEM NO. RY40007



WIRING DIAGRAM

**RYOBI**  
**40 Volt Blower**  
**Item No. RY40407VNM**  
**Mfg. No. 107000002**  
**Repair Sheet**

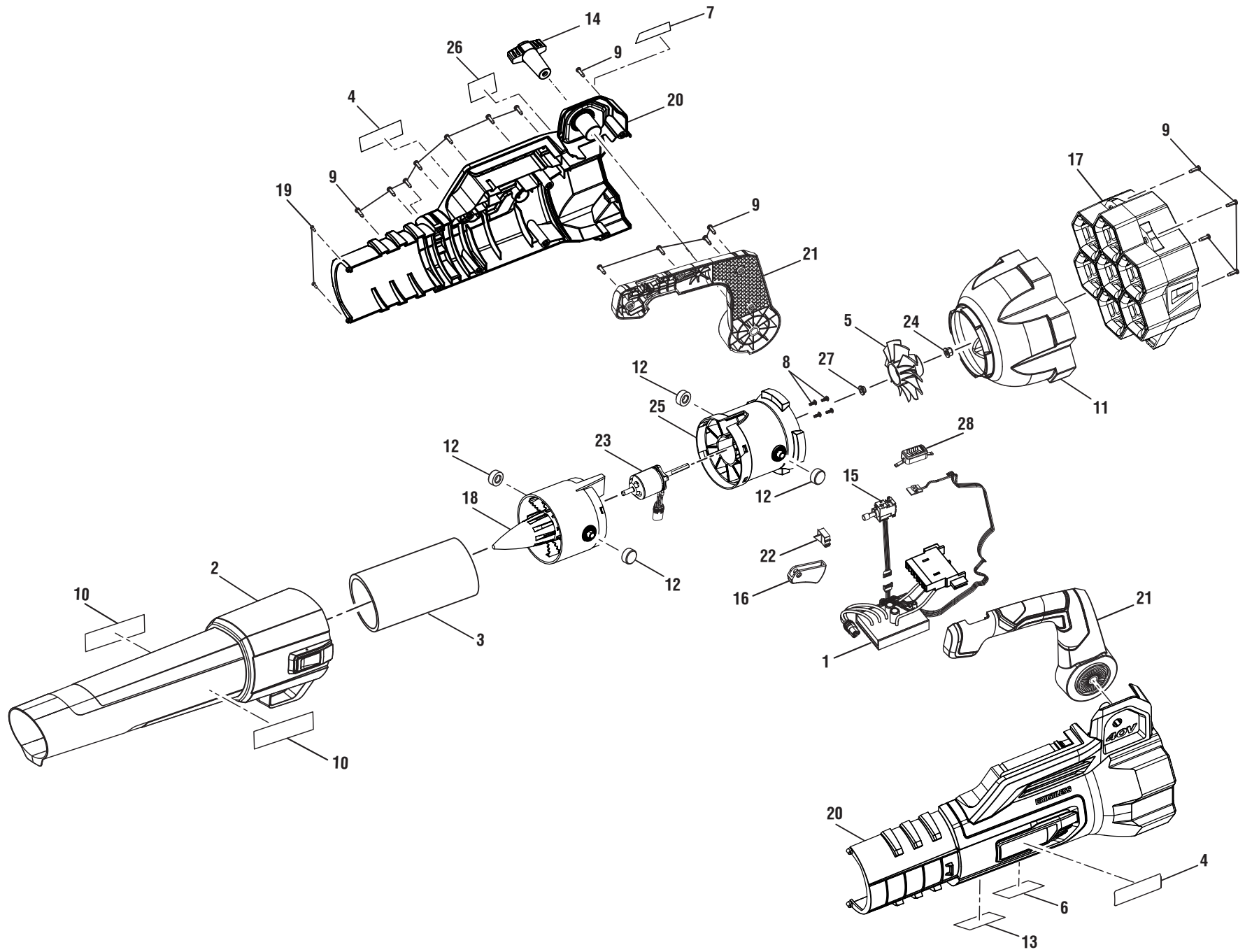
**TECHTRONIC INDUSTRIES POWER EQUIPMENT**

P.O. Box 1288, Anderson, SC 29622 USA

1-800-860-4050

[www.ryobitools.com](http://www.ryobitools.com)

RYOBI BLOWER – ITEM NO. RY40407VNM



**RYOBI BLOWER – ITEM NO. RY40407VNM**

The item number will be found on a label attached to the housing. Always mention the item number in all correspondence regarding your **BLOWER** or when ordering replacement parts.

**PARTS LIST**

<b>KEY NO.</b>	<b>PART NUMBER</b>	<b>DESCRIPTION</b>	<b>QTY</b>
1	205351001	Motor Controller and Battery Connection Assembly .....	1
2	205348001	Blower Tube Assembly (Includes Key No. 10) .....	1
3	903802001	Sound Dampening Foam .....	1
4	940851557	Logo Label .....	2
5	539306001	Fan .....	1
6	940851559	Warning Label (French and Spanish) .....	1
7	940657333	Warning Icons Label .....	1
8	T662472001	Screw w/Flange (M3 x 8 mm, Hex Hd.) .....	4
9	661817001	Screw (M4 x 14 mm, T-15 Torx Pan Hd.) .....	16
10	940851558	Whisper Series Label .....	2
11	205318001	Inlet Bell Assembly .....	1
12	565463001	Rubber Cap .....	4
13	941588664	Data Label .....	1
14	539320003	Handle Knob .....	1
15	760649004	Variable Speed Switch .....	1
16	539318001	Trigger .....	1
17	205352001	Inlet Cover Assembly .....	1
18	539311001	Stator .....	1
19	660203001	Screw w/Washer (M3 x 8 mm, Pan Hd.) .....	2
20	205350001	Housing Assembly (Includes Key Nos. 4, 6-7, 13, and 26).....	1
21	205349001	Handle Assembly .....	1
22	539319001	Switch Cap.....	1
23	742653001	Motor.....	1
24	678774009	Flange Lock Nut (M6).....	1
25	539315001	Motor Mount .....	1
26	940657334	Warning and Warning Icons Label (English).....	1
27	612854002	Bushing .....	1
28	539314001	Turbo Button .....	1

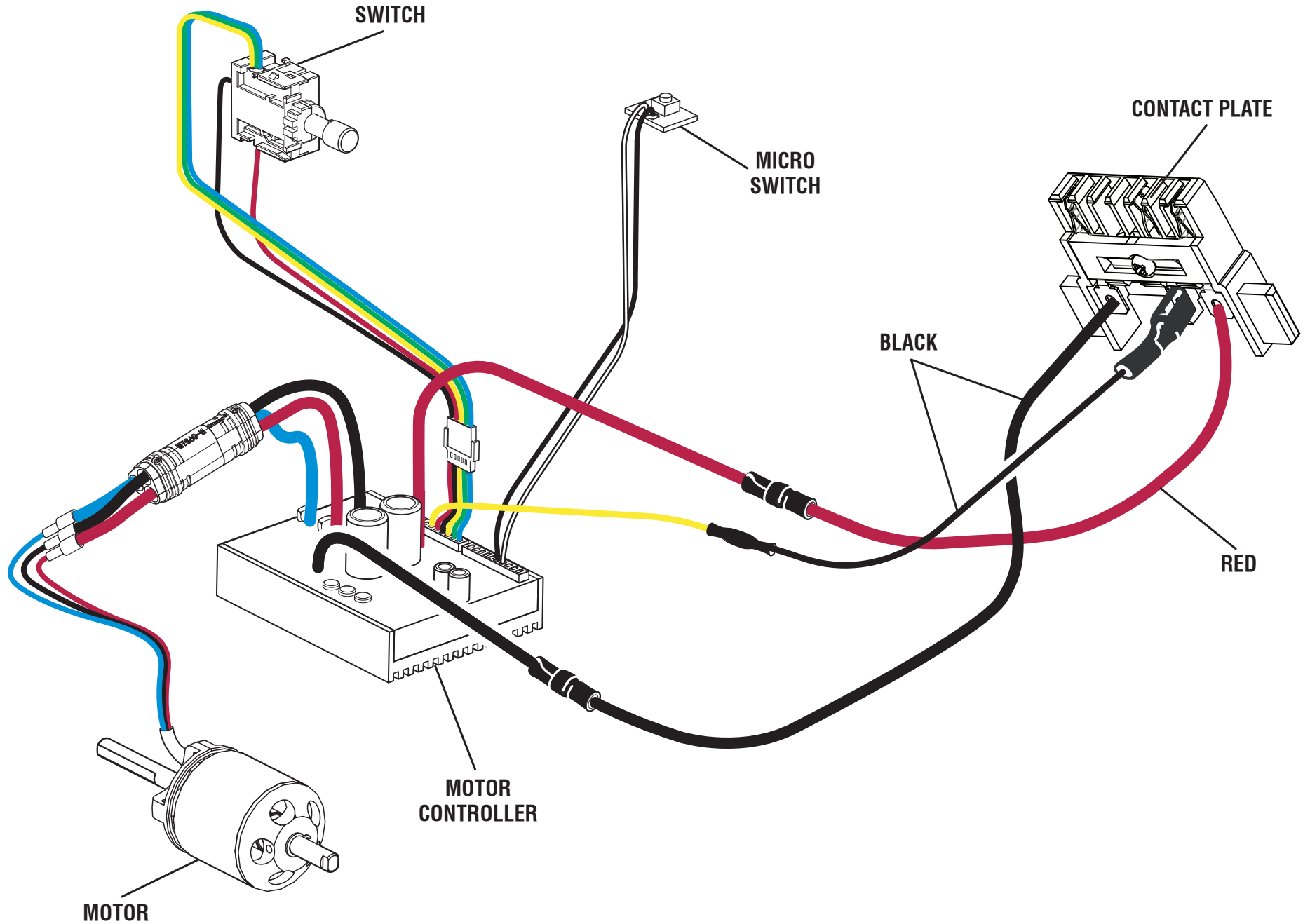
**Not Shown**

998000001

5-27-20

(Rev:01)

Operator's Manual



WIRING DIAGRAM