

BRASS P-TRAP w/ FLANGE - 1-1/2



EASTMAN[®]

*Peace of Mind...
For the Professional Plumber*

TECHNICAL DATA

DESCRIPTION: 22 Gauge 1-1/2 Brass P-Trap, slip-joint connect nuts, and 1-1/2 washers

CONSTRUCTION: Brass w/ rubber washers

FINISH: Chrome

CODE APPROVALS: UPC approved

PACKAGING:

Color bag w/barcode
Master Carton: 50
Inner Carton: 10

PART NO:
35001

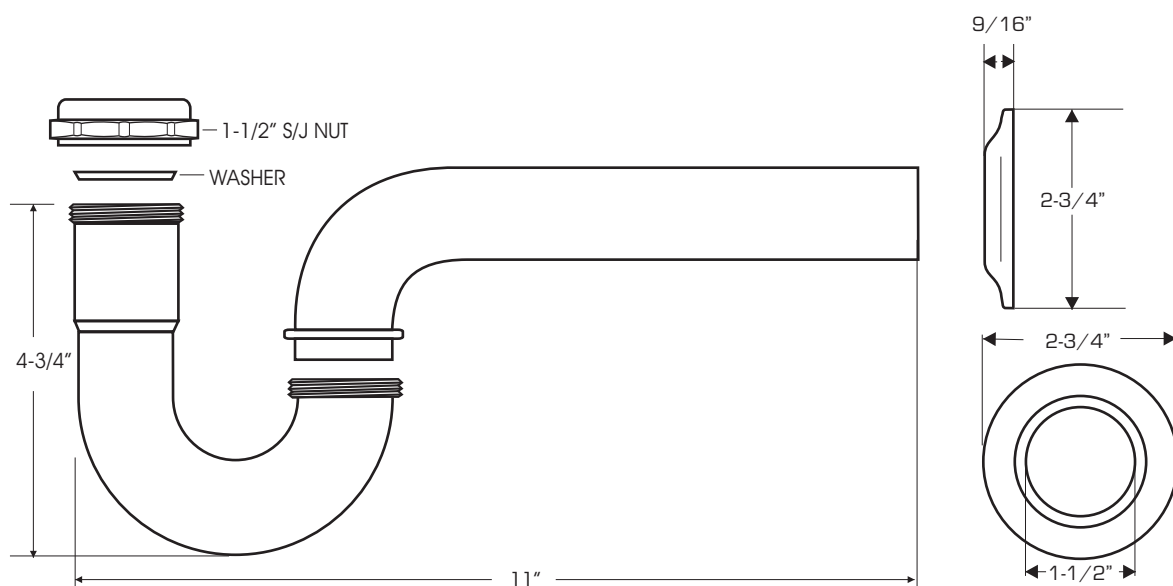
DESCRIPTION:
22 Gauge 1-1/2 P-Trap w/Flange

FINISH:
Chrome

BRAND: EASTMAN

COUNTRY OF ORIGIN: CHINA

ROUGH-IN DRAWING



ALL DIMENSIONS SHOWN ARE NOMINAL