



LMHM2237BD

22 cu.ft. LG Black Stainless Steel Series 2.2 cu.ft. Over-the-Range Microwave

COOKING

OVEN FEATURES

Color	Black Stainless
Cavity Size	2.2
TT Diameter	14.2inch
Output (Watts)	1000W

POWER / RATINGS / UPC

Input Volt/Hertz	120/60
Input Amp / Watts	14A/1650W
Energy Saving	Yes
UPC CODE	04823131959

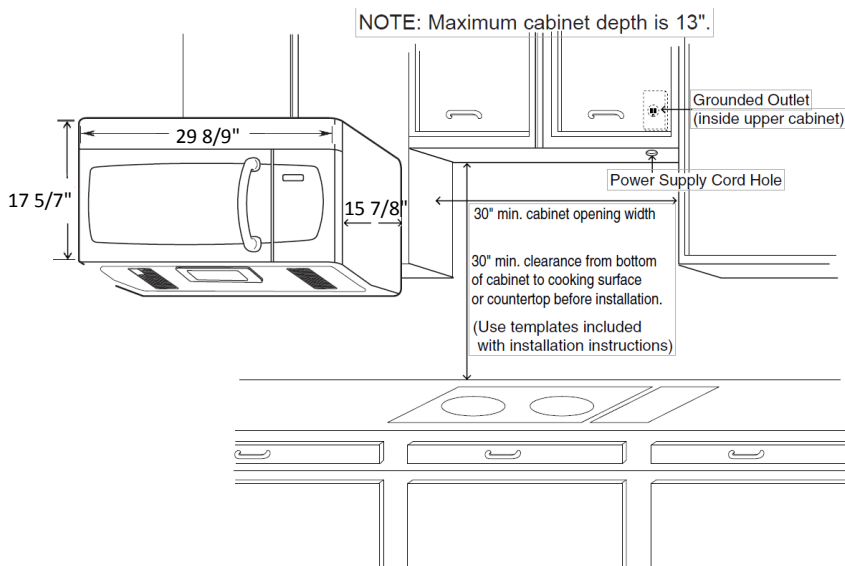


DIMENSIONS / WEIGHT

Exterior Width	29 8/9"	Product Depth	20 1/2"
Exterior Depth	15 7/8"	Product Height	20 3/4"
Exterior Height	17 5/7"	Net Weight	73.5lbs
Product Width	33 1/2"	Shipping Weight	78lbs

WARRANTY

1 Year Parts and Labor (In Home Service) 10 Years Limited on Magnetron (In Home Service)



Install The Mounting Plate

