

**SHELF-BACK LAVATORY FAUCET  
K-8040**

**ADA** **CSA B651** **OBC**

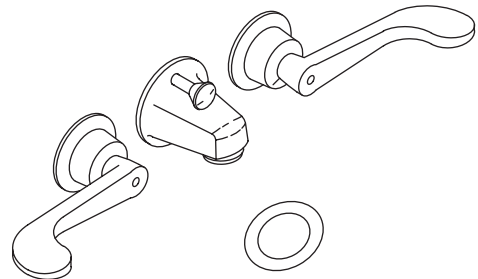
**Features**

- Brass construction
- Brass valve bodies
- Valvet® valves
- Pop-up drain with lift rod and tailpiece
- Available with standard Water-Guard® aerator
- For 5-1/2" (14 cm) centers
- Variety of handle style options
- 1-1/4" (3.2 cm) spout
- 2.0 gallons (7.6 L) per minute flow rate

**Codes/Standards Applicable**

Specified model meets or exceeds the following:




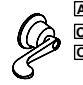
- ADA
- CSA B651
- OBC
- ASME A112.18.1/CSA B125.1
- NSF 61
- Energy Policy Act of 1992
- IAPMO/cUPC



**Colors/Finishes**

- CP: Polished Chrome

**Specified Model**

Model	Description				
K-8040-2A	Shelf-back lavatory faucet with standard handles and standard aerator	<input type="checkbox"/> CP			
K-8040-3A	Shelf-back lavatory faucet with cross handles and standard aerator		<input type="checkbox"/> CP		
K-8040-4A	Shelf-back lavatory faucet with lever handles and standard aerator			<input type="checkbox"/> CP	
K-8040-5A	Shelf-back lavatory faucet with wristblade handles and standard aerator			<input type="checkbox"/> CP	

**Product Specification**

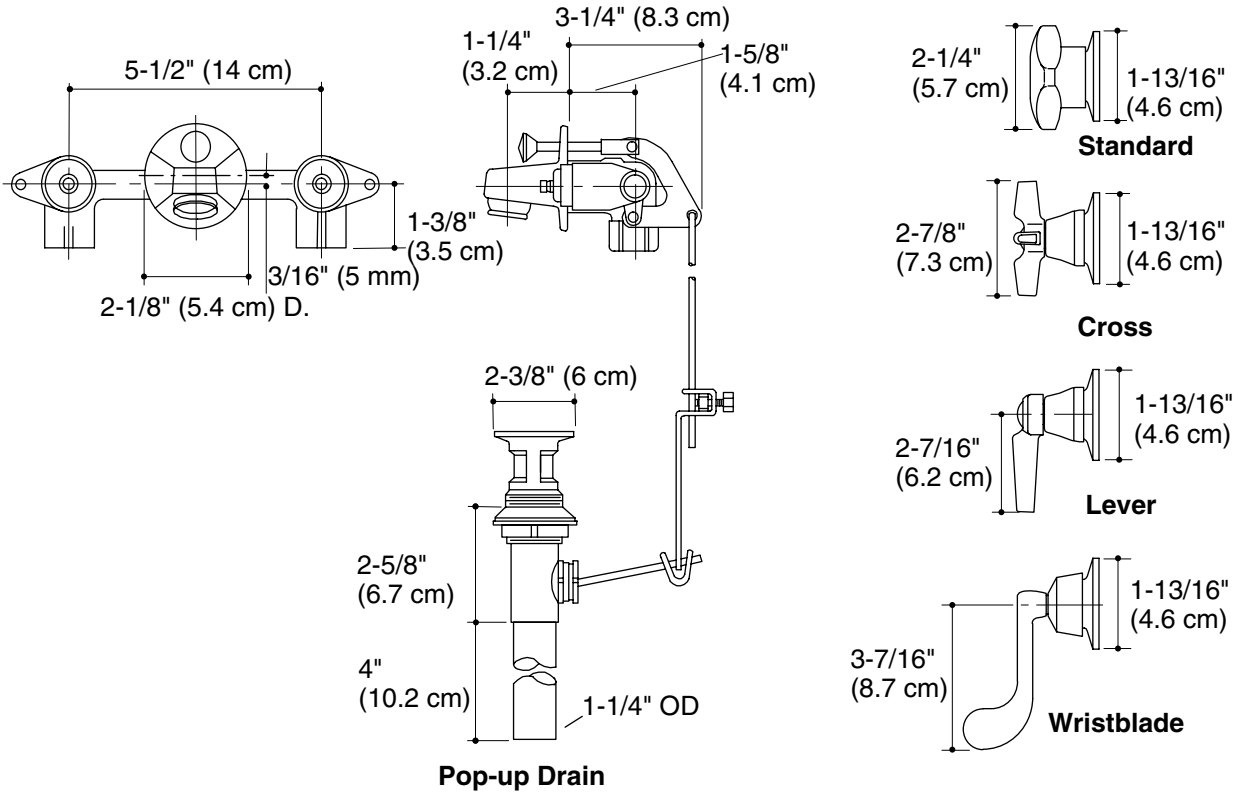
Shelf-back lavatory faucet shall be of brass construction. Faucet shall feature brass valve bodies and Valvet valves. Product shall include 5-1/2" (14 cm) centers, 1-1/4" (3.2 cm) spout, pop-up drain with lift rod and tailpiece. Product shall have a variety of handle style options available. Product shall include standard aerator. Faucet shall be rated at 2.0 gallons (7.6 L) per minute flow rate. Faucet shall be Kohler Model K-8040-\_\_\_\_\_-CP.

# TRITON®

## Installation Notes

Install this product according to the installation guide.

**ADA, CSA B651, OBC** compliant when installed to the specific requirements of these regulations.



## Product Diagram