



**REGISTER YOUR TOOLS**  
<http://register.ryobitools.com>  
1-800-525-2579

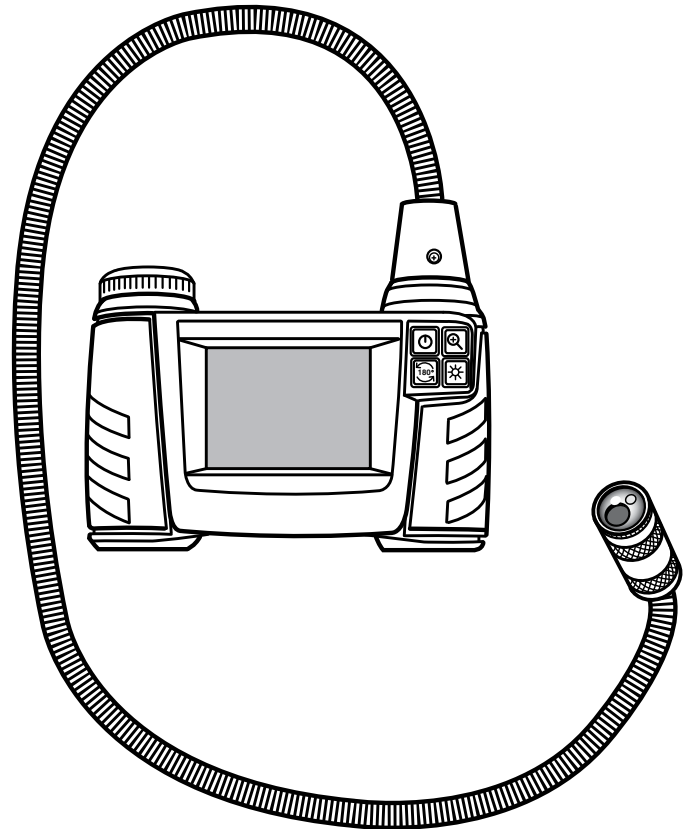
# OPERATOR'S MANUAL

MANUEL D'UTILISATION  
MANUAL DEL OPERADOR

## Tek4® INSPECTION SCOPE

MICROSCOPE D'INSPECTION Tek4®  
LENTE DE INSPECCIÓN CON  
TELESCOPIO DE Tek4®

RP4205



Your inspection scope has been engineered and manufactured to our high standard for dependability, ease of operation, and operator safety. When properly cared for, it will give you years of rugged, trouble-free performance.

**WARNING:** To reduce the risk of injury, the user must read and understand the operator's manual before using this product.

Thank you for your purchase.

## SAVE THIS MANUAL FOR FUTURE REFERENCE

Cette microscope d'inspection a été conçue et fabriquée conformément à nos strictes normes de fiabilité, simplicité d'emploi et sécurité d'utilisation. Correctement entretenue, elle vous donnera des années de fonctionnement robuste et sans problème.

**AVERTISSEMENT :** Pour réduire les risques de blessures, l'utilisateur doit lire et veiller à bien comprendre le manuel d'utilisation avant d'employer ce produit.

Merci de votre achat.

**CONSERVER CE MANUEL POUR  
FUTURE RÉFÉRENCE**

Su lente de inspección con telescopio ha sido diseñada y fabricado de conformidad con nuestras estrictas normas para brindar fiabilidad, facilidad de uso y seguridad para el operador. Con el debido cuidado, le brindará muchos años de sólido y eficiente funcionamiento.

**ADVERTENCIA:** Para reducir el riesgo de lesiones, el usuario debe leer y comprender el manual del operador antes de usar este producto.

Le agradecemos su compra.

**GUARDE ESTE MANUAL PARA  
FUTURAS CONSULTAS**

# TABLE OF CONTENTS

■ Introduction .....	2
■ Warranty .....	2
■ Important Safety Instructions .....	3
■ Symbols.....	4
■ Features.....	5
■ Assembly .....	5
■ Operation.....	6
■ Maintenance.....	7
■ Figure Numbers (Illustrations).....	8-9
■ Parts Ordering / Service .....	Back Page

## INTRODUCTION

This product has many features for making its use more pleasant and enjoyable. Safety, performance, and dependability have been given top priority in the design of this product making it easy to maintain and operate.

## WARRANTY

### LIMITED TWO YEAR WARRANTY AND 30 DAY EXCHANGE POLICY

**30-DAY EXCHANGE POLICY:** During the first 30 days after date of purchasing this product, you may either request service under this warranty or you may exchange it by returning it with proof of purchase and all original equipment packaged with the original product to the dealer from which it was purchased. The replacement product will be covered by the limited warranty for the balance of the two year period from the date of the original purchase.

**LIMITED TWO YEAR WARRANTY.** This product is warranted against all defects in workmanship or materials for a period of two years from the date of purchase. The warranty on any accessories for this product, excluding batteries, is limited to 90 days from the date the accessory is purchased. To obtain warranty service, call Customer Service at 1-800-525-2579 for warranty return instructions. The product must be properly packaged and returned with all equipment that was included with the original product. When you request warranty service, you must also present proof of purchase documentation, which includes the date of purchase (for example, a receipt or a bill of sale). Defective products returned within the warranty period will be repaired or replaced, at our option, free of charge, within ninety (90) days or less. The cost of shipping the product to us is your responsibility. This warranty only covers defects arising under normal usage and does not cover any malfunction, failure or defects resulting from misuse, abuse, neglect, alteration, modification or unauthorized repairs. It applies only to the original purchaser at retail, and may not be transferred. One World Technologies, Inc. makes no warranties, representations or promises as to the quality or performance of this product other than those specifically stated in this warranty. Any implied warranties granted under state law, including warranties of merchantability or fitness for a particular purpose, are limited to two years from the date of purchase. One World Technologies, Inc. is not responsible for direct, indirect, or incidental damages. Some states do not allow limitations on how long an implied warranty lasts, or the exclusion or limitation of incidental or consequential damages, so the above limitations and exclusions may not apply to you. This warranty gives you specific legal rights, and you may also have other rights which vary from state to state.

# IMPORTANT SAFETY INSTRUCTIONS



## WARNING -

**Read all instructions.** To reduce the risk of injury, user must read instruction manual. Failure to follow all instructions listed below may result in electric shock, fire and/or serious injury.

## SAVE THESE INSTRUCTIONS

- **Know your tool. Read operator's manual carefully.** Learn its applications and limitations, as well as the specific potential hazards related to this product. Following this rule will reduce the risk of electric shock, fire, or serious injury.
- **Do not operate battery products in explosive atmospheres, such as in the presence of flammable liquids, gases or dust.** Battery products create sparks which may ignite the dust or fumes.
- **Use battery only with charger listed.**




MODEL	BATTERY PACK	CHARGER
RP4205	AP4001	AP4700, AP4500, AP4800

- **Do not disassemble the tool.** Contact with internal parts may increase the risk of electric shock or cause damage to the product.
- **Do not use this tool for diving or any other prolonged underwater use.**
- **Do not use on a ladder or unstable support.** Stable footing on a solid surface enables better control of the product in unexpected situations.
- **Do not store the tool in an area of high heat or humidity. Do not expose the tool to extended high heat from the sun (such as on a vehicle dashboard.)** Damage to the product or the battery pack can result.
- **Use the product in accordance with these instructions and in the manner intended for the product, taking into account the environmental conditions and the work to be performed.** Use of the product for operations different from those intended could result in a hazardous situation.
- **Ensure the product is in the off position before inserting battery pack.** Inserting the battery pack into battery products that have the switch on invites accidents.
- **Recharge only with the charger specified by the manufacturer.** A charger that is suitable for one type of battery pack may create a risk of fire when used with another battery pack.
- **Use this product only with specifically designated battery packs.** Use of any other battery packs may create a risk of injury and fire.




- **When battery pack is not in use, keep it away from other metal objects like paper clips, coins, keys, nails, screws, or other small metal objects that can make a connection from one terminal to another.** Shorting the battery terminals together may cause burns or a fire.
- **Under abusive conditions, liquid may be ejected from the battery, avoid contact. If contact accidentally occurs, flush with water. If liquid contacts eyes, additionally seek medical help.** Liquid ejected from the battery may cause irritation or burns.
- **When servicing the product, use only identical replacement parts. Follow instructions in the Maintenance section of this manual.** Use of unauthorized parts or failure to follow Maintenance instructions may create a risk of shock or injury.
- **This product should not be used without the battery cap installed.**
- **Do not place battery products or their batteries near fire or heat.** This will reduce the risk of explosion and possibly injury.
- **Do not crush, drop or damage battery pack. Do not use a battery pack or charger that has been dropped or received a sharp blow.** A damaged battery is subject to explosion. Properly dispose of a dropped or damaged battery immediately.
- **Batteries can explode in the presence of a source of ignition, such as a pilot light.** To reduce the risk of serious personal injury, never use any cordless product in the presence of open flame. An exploded battery can propel debris and chemicals. If exposed, flush with water immediately.
- **Do not charge the product in a damp or wet location.** Following this rule will reduce the risk of electric shock.
- **For best results, your battery product should be charged in a location where the temperature is more than 50°F but less than 94°F.** To reduce the risk of serious personal injury, do not store outside or in vehicles.
- **Under extreme usage or temperature conditions, battery leakage may occur. If liquid comes in contact with your skin, wash immediately with soap and water. If liquid gets into your eyes, flush them with clean water for at least 10 minutes, then seek immediate medical attention.** Following this rule will reduce the risk of serious personal injury.
- **Save these instructions.** Refer to them frequently and use them to instruct others who may use this product. If you loan someone this product, loan them these instructions also.

# SYMBOLS

The following signal words and meanings are intended to explain the levels of risk associated with this product.

SYMBOL	SIGNAL	MEANING
	<b>DANGER:</b>	Indicates an imminently hazardous situation, which, if not avoided, will result in death or serious injury.
	<b>WARNING:</b>	Indicates a potentially hazardous situation, which, if not avoided, could result in death or serious injury.
	<b>CAUTION:</b>	Indicates a potentially hazardous situation, which, if not avoided, may result in minor or moderate injury.
	<b>CAUTION:</b>	(Without Safety Alert Symbol) Indicates a situation that may result in property damage.

Some of the following symbols may be used on this product. Please study them and learn their meaning. Proper interpretation of these symbols will allow you to operate the product better and safer.

SYMBOL	NAME	DESIGNATION/EXPLANATION
	Safety Alert	Indicates a potential personal injury hazard.
	Read Operator's Manual	To reduce the risk of injury, user must read and understand operator's manual before using this product.
	Recycle Symbols	This product uses lithium-ion (Li-ion) batteries. Local, state or federal laws may prohibit disposal of batteries in ordinary trash. Consult your local waste authority for information regarding available recycling and/or disposal options.
V	Volts	Voltage
min	Minutes	Time
—	Direct Current	Type or a characteristic of current

## RYOBI RP4205

This device complies with Part 15 of the FCC Rules. Operation is subject to the following two conditions: (1) This device may not cause harmful interference, and (2) this device must accept any interference received, including interference that may cause undesired operation.

This equipment has been tested and found to comply with the limits for a Class A digital device, pursuant to Part 15 of the FCC rules. These limits are designed to provide reasonable protection against harmful interference in a commercial environment. This equipment generates, uses and can radiate radio frequency energy, and if not installed and used in accordance with the instruction manual, may cause harmful interference to radio communications. Operation of this equipment in a residential area is likely to cause harmful interference, in which case the user will be required to correct the interference at his own expense.

**NOTE:** The user is cautioned that any changes or modifications not expressly approved by the party responsible for compliance could void the user's authority to operate the equipment.

# FEATURES

## PRODUCT SPECIFICATIONS

Power ..... 4V rechargeable battery  
Operation Environment ..... Temperature 23°- 104 F°  
Storage Temperature..... Temperature -4°- 140 F°  
Camera Resolution..... 300K pixels

Digital Zoom .....2X  
LCD Screen Resolution ..... 320 x 240 pixels  
LCD Screen Size ..... 2.7 in.

## KNOW YOUR INSPECTION SCOPE

See Figure 1, page 8.

The safe use of this product requires an understanding of the information on the tool and in this operator's manual as well as a knowledge of the project you are attempting. Before use of this product, familiarize yourself with all operating features and safety rules.

## AUTO POWER OFF

The inspection scope will automatically shut off when it has been unused for five minutes.

## BATTERY / CHARGE INDICATOR

The indicator in the left corner of the screen indicates when the 4V battery pack is running low on charge.

## CAMERA CABLE

When the camera on the end of the cable is pointed at an object, the image is shown on the 2.7 in. high-resolution LCD screen.

## CAMERA LED

The inspection scope has a built-in light. This LED feature is convenient when working in close or tight areas where additional light is needed.

## DIGITAL ZOOM

Go from a normal 1X view to 2X by pushing the digital zoom button.

## ROTATE BUTTON

With a press of the Rotate Button, the image can be flipped 180°.

# ASSEMBLY

## UNPACKING

This product has been shipped completely assembled.

- Carefully remove the product and any accessories from the box. Make sure that all items listed in the packing list are included.

### WARNING:

Do not use this product if it is not completely assembled or if any parts appear to be missing or damaged. Use of a product that is not properly and completely assembled could result in serious personal injury.

- Inspect the product carefully to make sure no breakage or damage occurred during shipping.
- Do not discard the packing material until you have carefully inspected and satisfactorily operated the product.
- If any parts are damaged or missing, please call 1-800-525-2579 for assistance.

## PACKING LIST

Inspection Scope  
Operator's Manual

### WARNING:

If any parts are damaged or missing do not operate this product until the parts are replaced. Use of this product with damaged or missing parts could result in serious personal injury.

### WARNING:

Do not attempt to modify this product or create accessories not recommended for use with this product. Any such alteration or modification is misuse and could result in a hazardous condition leading to possible serious personal injury.

### WARNING:

To prevent accidental starting that could cause serious personal injury, always remove the battery pack from the product when assembling parts.

# OPERATION

## **WARNING:**

Always remove battery pack from the product when you are assembling parts, making adjustments, cleaning, or when not in use.

## **WARNING:**

Do not use any attachments or accessories not recommended by the manufacturer of this product. The use of attachments or accessories not recommended can result in serious personal injury.

## **WATERPROOF FEATURE**

Only the camera and camera cable are waterproof. All other components of the scope are water-resistant and should never be submerged.

Do not use this product for diving or any other prolonged underwater use. If the camera is exposed to rain or immersed in water, wipe it dry as soon as possible.

**NOTE:** Moisture or condensation does not indicate a malfunction of the waterproof feature.

Changes in temperature (such as moving the camera from a cold place into a warm place) may cause condensation in the form of water droplets on the lens or the inside of the camera. This is normal for all cameras. If this happens, turn the camera off and remove the battery cap and battery. Place it in a cool, dry area and leave the battery cap open. Wait at least an hour before you turn it on again.

## **TO INSTALL / REMOVE BATTERY PACK**

*See Figure 2, page 9.*

### **To install the battery pack:**

- Unscrew the battery cap.  
**NOTE:** Do not remove the gasket inside the cap.
- Insert the battery pack in the direction shown. Make sure the raised rib on the battery pack aligns with the groove in the inspection scope.
- Place the cap over the battery pack and push until the cap meets the threads at the end of the battery compartment.
- Screw the cap on securely.

### **To remove the battery pack:**

- Power the inspection scope off. Unscrew the cap. The battery pack will disconnect and be easy to remove.
- Do not attempt to use this product if the battery cap is not securely closed.

## **POWER BUTTON**

*See Figure 3, page 9.*

When the inspection scope is turned on and the camera is pointed at an object, the LCD screen will show the image the lens is pointing at.

### **To turn on:**

- Press and hold the power button.
- Release the power button when the screen turns on.

### **To turn off:**

- Press and hold the power button.
- Release the power button when the screen turns off.

**NOTE:** The scope will shut off automatically if unused for five minutes.

## **ROTATE BUTTON**

*See Figure 4, page 9.*

The image on the LCD screen can be rotated 180° by pushing the rotate button. Push the rotate button a second time to rotate it back 180° to its original position.

## **DIGITAL ZOOM**

*See Figure 5, page 9.*

The screen view can be zoomed to 2X the normal view. Every time the digital zoom button is pushed, the view will enlarge 1/3 at a time up to 2x zoom. The zoom icon is shown in the upper right corner of the screen.

- Press the zoom icon to zoom in on the selected view.
- Continue pressing the zoom icon to zoom closer and finally back to 1X.

## **LED BRIGHTNESS BUTTON**

*See Figure 6, page 9.*

The LED has three levels of brightness and a fourth level which turns the brightness off. Each time the LED brightness button is pushed, the brightness level changes. The LED icon is shown in the lower right corner of the screen.

# MAINTENANCE

## **WARNING:**

When servicing, use only identical replacement parts. Use of any other parts may create a hazard or cause product damage.

## **WARNING:**

Always wear eye protection with side shields marked to comply with ANSI Z87.1 during maintenance.

## **GENERAL MAINTENANCE**

Avoid using solvents when cleaning plastic parts. Most plastics are susceptible to damage from various types of commercial solvents and may be damaged by their use. Use clean cloths to remove dirt, dust, oil, grease, etc.

## **WARNING:**

Do not at any time let brake fluids, gasoline, petroleum-based products, penetrating oils, etc., come in contact with plastic parts. Chemicals can damage, weaken or destroy plastic which may result in serious personal injury.

## **STORAGE**

Storage in a cool, dry location will prevent condensation or mold from forming inside the camera.

Before storing, always remove the battery pack from the battery compartment.

Do not store the inspection scope at temperatures greater than 122° F (such as on a dashboard or vehicle interior).

## **BATTERY PACK PREPARATION FOR RECYCLING**

### **WARNING:**

Upon removal, cover the battery pack's terminals with heavy-duty adhesive tape. Do not attempt to destroy or disassemble battery pack or remove any of its components. Lithium-ion batteries must be recycled or disposed of properly. Also, never touch both terminals with metal objects and/or body parts as short circuit may result. Keep away from children. Failure to comply with these warnings could result in fire and/or serious injury.

**NOTE: FIGURES (ILLUSTRATIONS) START ON PAGE 8 AFTER FRENCH AND SPANISH LANGUAGE SECTIONS.**

# TABLE DES MATIÈRES

■ Introduction .....	2
■ Garantie .....	2
■ Instructions importantes concernant la sécurité.....	3
■ Symboles.....	4
■ Caractéristiques .....	5
■ Assemblage.....	5
■ Utilisation.....	6
■ Entretien .....	7
■ Figure numéros (illustrations).....	8-9
■ Commande de pièces / réparation.....	Pág. arrière

## INTRODUCTION

Cet produit offre de nombreuses fonctions destinées à rendre son utilisation plus plaisante et satisfaisante. Lors de la conception de ce produit, l'accent a été mis sur la sécurité, les performances et la fiabilité, afin d'en faire un outil facile à utiliser et à entretenir.

## GARANTIE

### **GARANTIE LIMITÉE DE DEUX ANS ET POLITIQUE D'ÉCHANGE DE TRENTE (30) JOURS**

**POLITIQUE D'ÉCHANGE DE TRENTE (30) JOURS :** Pendant les 30 premiers jours suivant la date d'achat, l'utilisateur peut demander un entretien sous garantie ou échanger le produit en le retournant, accompagné d'une preuve d'achat ainsi que de tout l'équipement d'origine emballé avec le produit d'origine, au détaillant chez qui l'achat a été effectué. Le produit de remplacement sera couvert par cette garantie limitée pendant le reste des deux ans suivant la date d'achat de l'outil original.

**GARANTIE LIMITÉE DE DEUX ANS.** Ce produit est garanti contre tout vice de fabrication ou de matériel, pour une période de deux (2) ans à compter de la date d'achat. La garantie couvrant les accessoires de ce produit, à l'exception des piles, est limitée à 90 jours à compter de la date d'achat de l'accessoire. Pour bénéficier d'un entretien sous garantie, communiquer avec le service à la clientèle au 1-800-525-2579 pour connaître les instructions de retour sous garantie. Le produit doit être emballé adéquatement et retourné avec tout l'équipement qui était inclus avec le produit d'origine. Lorsque l'utilisateur demande un entretien sous garantie, il doit également présenter une preuve d'achat qui comprend la date d'achat (par exemple, un reçu ou un acte de vente). Les produits défectueux retournés pendant la période de la garantie seront réparés ou remplacés, à notre discrétion, sans frais, dans un délai de quatre-vingt-dix (90) jours ou moins. L'utilisateur doit assumer les coûts liés à l'expédition du produit. La présente garantie couvre uniquement les défauts survenus lors d'une utilisation normale. Elle ne couvre pas les défauts de fonctionnement, les pannes ou les défauts attribuables à une mauvaise utilisation, à un usage abusif, à la négligence, à une modification ou à des réparations non autorisées. Cette garantie s'applique uniquement à l'acheteur d'origine au détail et ne peut être transférée. One World Technologies Inc. ne donne aucune garantie et ne fait aucune représentation ou promesse relativement à la qualité ou au rendement de ce produit autres que celles mentionnées spécifiquement dans la présente garantie. Toutes les garanties implicites permises par la loi, y compris les garanties de valeur marchande ou d'adéquation à un usage particulier, sont limitées à deux ans à compter de la date d'achat. One World Technologies Inc. n'est pas responsable des dommages directs, indirects ou consécutifs. Certains états et certaines provinces ne permettent pas d'exonération ou de réserve pour la couverture des dommages directs ou consécutifs et pour la durée de toute garantie implicite; il se peut donc que l'exonération décrite précédemment ne puisse s'appliquer. La présente garantie donne au consommateur des droits spécifiques, et il peut bénéficier d'autres droits qui varient selon les états ou les provinces.



# INSTRUCTIONS IMPORTANTES CONCERNANT LA SÉCURITÉ



## AVERTISSEMENT - Lire toutes les

**instructions.** Pour réduire les risques de blessures, l'utilisateur doit lire le manuel d'utilisation. Le non-respect de toutes les instructions ci-dessous peut entraîner un choc électrique, un incendie et/ou des blessures graves.

## CONSERVER CES INSTRUCTIONS

- **Apprendre à connaître ce outil. Lire attentivement le manuel d'utilisation. Apprendre les applications et les limites de l'outil, ainsi que les risques spécifiques relatifs à son utilisation.** Le respect de cette consigne réduira les risques d'incendie, de choc électrique et de blessures graves.
- **Ne pas utiliser les produits à piles dans des atmosphères explosives, par exemple en présence de liquides, gaz ou poussières inflammables.** Les produits à piles produisent des étincelles risquant d'enflammer les poussières ou vapeurs.
- **Ne recharger qu'avec l'appareil indiqué.**




MODÈLE	PILE	CHARGEUR
RP4205	AP4001	AP4700, AP4500, AP4800

- **Ne pas désassembler outil.** Tout contact avec les pièces internes peut faire augmenter le risque de décharge électrique ou endommager le produit.
- **Ne pas utiliser cet outil pour la plongée sous-marine ou pour toute autre utilisation sous-marine prolongée.**
- **Ne pas utiliser le produit sur une échelle ou un support instable.** Une bonne tenue et un bon équilibre permettent de mieux contrôler l'outil en cas de situation imprévue.
- **Ne pas ranger outil en par secteur de la chaleur élevée ou d'humidité.** N'exposez pas outil à la chaleur élevée prolongée du soleil (tel que dessus un tableau de bord de véhicule.) Endommagez au produit ou le bloc-pile peut résulter.
- **Utiliser le produit conformément à ces instructions et de la manière prévue à la conception, en tenant compte des conditions environnementales et de la tâche à effectuer.**
- **S'assurer que le commutateur est en position d'arrêt avant d'insérer le bloc-piles.** L'insertion du bloc-piles dans un outil dont le commutateur est en position de marche peut causer un accident.
- **Ne recharger qu'avec outil spécifié par le fabricant.** Un chargeur approprié pour un type de pile peut créer un risque d'incendie s'il est utilisé avec un autre type de batterie.
- **Utiliser exclusivement le bloc-pile spécifiquement indiqué pour l'outil.** L'usage de tout autre bloc peut créer un risque de blessures et d'incendie.




- **Lorsque le bloc-piles n'est pas en usage, le garder à l'écart d'articles tels qu'attaches trombones, pièces de monnaie, clous, vis et autres petits objets métalliques risquant d'établir le contact entre les deux bornes.** La mise en court-circuit des bornes de piles peut causer des étincelles, des brûlures ou un incendie.
- **En cas d'usage abusif, du liquide peut s'échapper des piles. Éviter tout contact avec ce liquide. En cas de contact accidentel, rincer immédiatement les parties atteintes avec de l'eau. En cas d'éclaboussure dans les yeux consulter un médecin.** Le liquide s'échappant des piles peut causer des irritations ou des brûlures.
- **Utiliser exclusivement des pièces identiques à celles d'origine pour les réparations. Se conformer aux instructions de la section Entretien de ce manuel.** L'usage de pièces non autorisées ou le non-respect des instructions peut présenter des risques de choc électrique ou de blessures.
- **Ce produit ne doit pas être utilisé sans le capuchon de la pile.**
- **Ne pas placer les produits à piles sans fil ou leurs piles à proximité de flammes ou d'une source de chaleur.** Ceci réduira les risques d'explosion et de blessures
- **Ne pas écraser, faire tomber ou endommager le bloc-piles. Ne jamais utiliser un bloc-piles ou un chargeur qui est tombé, a été écrasé, a reçu un choc violent ou a été endommagé de quelque façon que ce soit.** Une pile endommagée risque d'exploser. Éliminer immédiatement toute pile endommagée, selon une méthode appropriée.
- **Les piles peuvent exploser en présence d'une source d'allumage, telle qu'une veilleuse.** Pour réduire les risques de blessures graves, ne jamais utiliser un appareil sans fil, quel qu'il soit, en présence d'une flamme vive. En explosant, une pile peut projeter des débris et des produits chimiques. En cas d'exposition, rincer immédiatement les parties atteintes avec de l'eau.
- **Ne pas recharger un outil fonctionnant sur piles dans un endroit humide ou mouillé.** Le respect de cette règle réduira les risques de choc électrique.
- **Pour un résultat optimal, le piles de l'outil doivent être rechargées dans un local où la température est de 10 à 35 °C (50 à 94°F). Ne pas ranger l'outil à l'extérieur ou dans un véhicule.**
- **Si l'outil est utilisé de façon intensive ou sous des températures extrêmes, des fuites de pile peuvent se produire. En cas de contact du liquide avec la peau, rincer immédiatement la partie atteinte avec de l'eau savonneuse. En cas d'éclaboussure dans les yeux, les rincer à l'eau fraîche pendant au moins 10 minutes, puis contacter immédiatement un médecin.** Le respect de cette règle réduira les risques de blessures graves.
- **Conserver ces instructions.** Les consulter fréquemment et les utiliser pour instruire les autres utilisateurs éventuels. Si cet produit est prêté, il doit être accompagné de ces instructions.

# SYMBOLES

Les termes de mise en garde suivants et leur signification ont pour but d'expliquer le degré de risques associé à l'utilisation de ce produit.

SYMBOLE	SIGNAL	SIGNIFICATION
	<b>DANGER :</b>	Indique une situation extrêmement dangereuse qui, si elle n'est pas évitée, aura pour conséquences des blessures graves ou mortelles.
	<b>AVERTISSEMENT :</b>	Indique une situation potentiellement dangereuse qui, si elle n'est pas évitée, pourrait entraîner des blessures graves ou mortelles.
	<b>ATTENTION :</b>	Indique une situation potentiellement dangereuse qui, si elle n'est pas évitée, pourrait entraîner des blessures légères ou de gravité modérée.
	<b>ATTENTION :</b>	(Sans symbole d'alerte de sécurité) Indique une situation pouvant entraîner des dommages matériels.

Certains des symboles ci-dessous peuvent être utilisés sur produit. Veiller à les étudier et à apprendre leur signification. Une interprétation correcte de ces symboles permettra d'utiliser produit plus efficacement et de réduire les risques.

SYMBOLE	NOM	DÉSIGNATION / EXPLICATION
	Symbole d'alerte de sécurité	Indique un risque de blessure potentiel.
	Lire manuel d'utilisation	Pour réduire les risques de blessures, l'utilisateur doit lire et veiller à bien comprendre le manuel d'utilisation avant d'utiliser ce produit.
	Symbole d'alerte de sécurité	Ce produit utilise le piles de lithium-ion (Li-ion). Les réglementations locales ou gouvernementales peuvent interdire de jeter les piles dans les ordures ménagères. Consulter les autorités locales compétentes pour les options de recyclage et/ou l'élimination.
V	Volts	Tension
min	Minutes	Temps
—	Courant continu	Type ou caractéristique du courant

## RYOBI RP4205

Ce dispositif est conforme à la partie 15 des règles de la Federal Communications Commission (FCC). Son utilisation est sujette aux deux conditions suivantes : (1) cet appareil ne doit produire aucun brouillage préjudiciable; et (2) l'appareil doit fonctionner en dépit de tout brouillage produit, y compris le brouillage pouvant mener à une opération non désirée.

Après une mise à l'essai de l'équipement, il a été déterminé qu'il est conforme aux normes applicables à un appareil numérique de classe A, selon la partie 15 des règles de la FCC. Ces normes ont été fixées pour fournir une protection raisonnable contre un brouillage préjudiciable dans une installation commerciaux. Cet équipement produit, utilise et peut émettre de l'énergie RF. S'il n'est pas installé et utilisé conformément au le manuel d'instruction, il peut brouiller de manière préjudiciable les radiocommunications. Le fonctionnement de cet équipement dans une zone résidentielle est susceptible de causer des interférences nuisibles, auquel cas l'utilisateur devra corriger ces interférences à ses propres frais.

**NOTE :** L'utilisateur doit savoir que toute modification apportée à l'unité qui n'a pas été expressément approuvée par le responsable de la conformité du produit pourrait suffire à révoquer le droit de l'utilisateur à se servir de l'équipement.

# CARACTÉRISTIQUES

## FICHE TECHNIQUE

Alimentation..... pile rechargeable de 4 V  
Température ambiante d'utilisation .....-5 °C à 40 °C  
Température de rangement ..... -20 °C à 60 °C  
Résolution de la caméra..... 300K pixels

Zoom numérique ..... 2X  
Résolution de écran dél.....320 x 240 pixels  
Taille de écran dél.....2,7 po

## VEILLER À BIEN MICROSCOPE D'INSPECTION

Voir la figure 1, page 8.

La sécurité d'utilisation de ce produit exige la compréhension des informations apposées sur l'outil et contenues dans ce manuel d'utilisation, ainsi que la connaissance du travail à exécuter. Avant d'utiliser ce produit, se familiariser avec toutes ses fonctions et règles de sécurité.

## FONCTION D'ARRÊT AUTOMATIQUE

La microscope d'inspection s'éteindra automatiquement quand il a été utilisé pendant 5 minutes.

## INDICATEUR DE PILE /CHARGE

L'indicateur sur le dans le coin gauche de l'écran que l'intensité du bloc-piles de 4 V est faible.

## CÂBLE DE CAMÉRA

Lorsque l'appareil photo à l'extrémité du câble est pointé vers un objet, l'image est afficheur ACL à haute résolution de 68,6 mm (2,7 po).

## L'APPAREIL PHOTO LAMPES À DEL

Les lampes à dél situées à l'avant de l'outil. Cela procure davantage de lumière pour une meilleure visibilité.

## ZOOM NUMÉRIQUE

Passer d'une normale 1 fois vue à 2 fois en appuyant sur le bouton de zoom numérique.

## BOUTON DE TOURNEZ

Avec une appuyer sur le bouton de tournez, l'image peut être retournée de 180 °.

# ASSEMBLAGE

## DÉBALLAGE

Ce produit a été expédié complètement assemblé.

- Avec précaution, sortir l'produit et les accessoires de la boîte. S'assurer que toutes les pièces figurant sur la liste de contrôle sont incluses.

### AVERTISSEMENT :

Ne pas utiliser le produit s'il n'est pas complètement assemblé ou si des pièces semblent manquantes ou endommagées. Le fait d'utiliser un produit assemblé de façon inadéquate ou incomplète peut entraîner des blessures graves.

- Examiner soigneusement l'produit pour s'assurer que rien n'a été brisé ou endommagé en cours de transport.
- Ne pas jeter les matériaux d'emballage avant d'avoir soigneusement examiné l'produit et avoir vérifié qu'il fonctionne correctement.
- Si des pièces sont manquantes ou endommagées, appeler le 1-800-525-2579.

## LISTE DE CONTRÔLE D'EXPÉDITION

Microscope d'inspection  
Manuel d'utilisation

### AVERTISSEMENT :

Si des pièces manquent ou sont endommagées, ne pas utiliser cet outil avant qu'elles aient été remplacées. Le fait d'utiliser ce produit même s'il contient des pièces endommagées ou s'il lui manque des pièces peut entraîner des blessures graves.

### AVERTISSEMENT :

Ne pas essayer de modifier cet produit ou de créer des accessoires non recommandés pour l'produit. De telles altérations ou modifications sont considérées comme un usage abusif et peuvent créer des conditions dangereuses, risquant d'entraîner des blessures graves.

### AVERTISSEMENT :

Pour empêcher un démarrage accidentel pouvant entraîner des blessures graves, toujours retirer le bloc-pile de l'produit avant d'assembler des pièces.

# UTILISATION

## **AVERTISSEMENT :**

Toujours retirer la pile de l'outil au moment d'assembler des pièces, d'effectuer des réglages et de procéder au nettoyage, ou lorsque l'outil n'est pas utilisé.

## **AVERTISSEMENT :**

Ne pas utiliser d'outils ou accessoires non recommandés pour ce produit. L'utilisation de pièces et accessoires non recommandés peut entraîner des blessures graves.

## ÉTANCHÉITÉ

Seule la caméra et le câble de caméra sont étanches. Toutes les autres composantes du microscope d'application sont l'eau-résistante et ne doit jamais être submergé.

Ne pas utiliser cet produit pour la plongée sous-marine ou pour toute autre utilisation sous-marine prolongée. Si l'appareil est exposé à la pluie ou immergé dans l'eau, l'assécher le plus tôt possible.

**NOTE :** La présence d'humidité ou de condensation ne signifie pas un problème d'étanchéité.

Lors d'écart de températures (lorsque la caméra passe d'un endroit froid à un endroit chaud, par exemple), des gouttelettes d'eau provenant de la condensation peuvent se former sur la lentille ou à l'intérieur de la caméra, ce qui est normal pour tous ces appareils. Dans de tels cas, éteindre la caméra et de la prise USB puis retirer le couvercle des piles et la pile. Ranger la caméra dans un endroit frais et sec en prenant soin de laisser le couvercle des piles ouverts. Attendre au moins une heure avant de réutiliser la caméra.

## RETRAIT / INSTALLATION DUE BLOC-PILES

Voir la figure 2, page 9.

### **Pour installer le bloc-piles :**

- Dévisser le couvercle des piles.

**NOTE :** Ne pas retirer le joint se trouvant à l'intérieur du couvercle.

- Insérer le bloc-piles dans la direction indiquée. S'assurer que la nervure du bloc-piles est alignée avec la rainure du microscope d'inspection.
- Placer le couvercle sur le bloc-piles et appuyer dessus jusqu'à ce qu'il rejoigne les filets situés à l'extrémité du compartiment des piles.
- Visser le couvercle solidement.

### **Pour retrait le bloc-piles :**

- Éteindre microscope d'inspection. Dévisser le couvercle. Il devrait être facile de débrancher le bloc-piles et de le retirer.
- Ne pas tenter d'utiliser ce produit si le couvercle du compartiment des piles n'est pas fixé solidement.

## BOUTON D'ALIMENTATION

Voir la figure 3, page 9.

À la mise en marche de microscope d'inspection et la caméra est pointée sur un objet, l'afficheur ACL montre l'image de la scène visée par l'objectif.

### **Pour marche:**

- Appuyer et prise le bouton d'alimentation.
- Relâchez le bouton d'alimentation lorsque l'écran se met en marche.

### **Pour arrêter:**

- Appuyer et prise le bouton d'alimentation.
- Relâchez le bouton d'alimentation lorsque l'écran se met en éteindre.

**NOTE :** Le microscope d'application avec s'éteindra automatiquement s'il n'est pas utilisé pendant cinq minutes.

## BOUTON DE TOURNEZ

Voir la figure 4, page 9.

L'image sur écran délé peut être tourné de 180 ° en appuyant sur le bouton de tourne. Appuyez sur le bouton de tourne une deuxième fois pour le faire pivoter à 180 ° à sa position original.

## ZOOM NUMÉRIQUE

Voir la figure 5, page 9.

L'affichage de l'écran peut être agrandie à 2 fois le mode normal. Chaque fois que le zoom numérique bouton est enfoncé, écran agrandir 1/3 à la fois jusqu'à 2 fois le zoom. Le zoom icône est affichée dans le main supérieur droit de écran.

- Appuyez sur l'icône du zoom pour zoomer sur la vue sélectionnée.
- Continuez à appuyer sur l'icône du zoom pour vous rapprocher et finalement de retour à 1 fois.

## BOUTON DE LUMINOSITÉ DÉL

Voir la figure 6, page 9.

La dél a trois niveaux de luminosité et d'un quatrième niveau qui fait de la luminosité hors. Chaque fois que le bouton de luminosité des dél est poussé, les changements de niveau de luminosité. L'icône de dél est affiché dans le coin inférieur droit de l'écran.

# ENTRETIEN

## AVERTISSEMENT :

Utiliser exclusivement des pièces d'origine pour les réparations. L'usage de toute autre pièce pourrait créer une situation dangereuse ou endommager l'appareil.

## AVERTISSEMENT :

Toujours porter une protection oculaire avec écrans latéraux certifiée conforme à la norme ANSI Z87.1 lors de l'entretien.

## ENTRETIEN GÉNÉRAL

Éviter d'utiliser des solvants pour le nettoyage des pièces en plastique. La plupart des matières plastiques peuvent être endommagées par divers types de solvants du commerce. Utiliser un chiffon propre pour éliminer la saleté, la poussière, l'huile, la graisse, etc.

## AVERTISSEMENT :

Ne jamais laisser de liquides tels que le fluide de freins, l'essence, les produits à base de pétrole, les huiles pénétrantes, etc., entrer en contact avec les pièces en plastique. Les produits chimiques peuvent endommager, affaiblir ou détruire le plastique, ce qui peut entraîner des blessures graves.

## ENTREPOSAGE

Ranger dans un endroit frais et sec pour prévenir la formation de condensation et de moisissures dans la caméra.

Avant l'entreposage, toujours retirer le bloc-piles du compartiment à piles.

Ne pas entreposer le appareil photo à une température excédant 50 °C (122 °F) (comme sur un tableau de bord ou à l'intérieur d'un véhicule).

## RETRAIT ET PRÉPARATION DU BATTERIES POUR LE RECYCLAGE

### AVERTISSEMENT :

Après avoir retiré les batteries, couvrir ses bornes avec un ruban adhésif de qualité industrielle. Ne pas essayer de démonter ou détruire les batteries, ni de retirer des composants quels qu'ils soient. Les batteries épuisées doivent être recyclées ou éliminées selon une méthode appropriée. Ne jamais toucher les deux bornes avec des objets en métal ou une partie du corps, car cela pourrait créer un court-circuit. Garder hors de la portée des enfants. Le non-respect de ces mises en garde peut résulter en un incendie et/ou des blessures graves.

**NOTE : RECYCLAGE DE LA INFORMACIÓN ET FIGURES (ILLUSTRATIONS)  
COMMENÇANT SUR 8 DE PAGE APRÈS LA SECTION ESPAGNOL.**

# ÍNDICE DE CONTENIDO

■ Introducción.....	2
■ Garantía .....	2
■ Instrucciones de seguridad importantes .....	3
■ Símbolos.....	4
■ Características.....	5
■ Armado .....	5
■ Funcionamiento .....	6
■ Mantenimiento.....	7
■ Figura numeras (ilustraciones).....	8-9
■ Pedidos de piezas / Servicio .....	Pág. posterior

## INTRODUCCIÓN

Este producto ofrece numerosas características para hacer más agradable y placentero su uso. En el diseño de este producto se ha conferido prioridad a la seguridad, el desempeño y la fiabilidad, por lo cual se facilita su manejo y mantenimiento.

## GARANTÍA

### **POLÍTICA DE INTERCAMBIO DURANTE 30 DÍAS Y GARANTÍA LIMITADA POR DOS AÑOS**

**POLÍTICA DE INTERCAMBIO DURANTE 30 DÍAS.** Durante los primeros 30 días a partir de la fecha de compra de este producto, puede solicitar servicio bajo esta garantía o puede intercambiar el artículo devolviéndolo con el comprobante de compra y todo el equipo original empaquetado con el producto original al comerciante a quien se lo compró. El producto de reemplazo estará cubierta por la garantía limitada durante el resto del período de dos años a partir de la fecha de compra original.

**GARANTÍA LIMITADA POR DOS AÑOS.** La garantía de este producto cubre todos los defectos de mano de obra y materiales durante dos años a partir de la fecha de compra. La garantía de cualquiera de los accesorios de este producto, sin incluir las baterías, se limita a 90 días a partir de la fecha de compra del accesorio. Para solicitar el servicio de la garantía, llame a Servicio o Asistencia Técnica al Consumidor al 1-800-525-2579 a fin de obtener instrucciones para devoluciones bajo garantía. El producto debe empaquetarse de forma apropiada y devolverse con todo el equipo que se incluyó con el producto original. Cuando solicite el servicio de garantía, también deberá presentar el comprobante de compra que incluya la fecha de compra (por ejemplo, un recibo o una factura de venta). Los productos defectuosos devueltos dentro del período de garantía se repararán o reemplazarán -a nuestro criterio- dentro de los noventa (90) días o antes, sin cargo alguno. El costo de envío del producto a nuestras instalaciones corre por su cuenta. Esta garantía sólo cubre defectos que surjan del uso habitual y no se hace responsable del mal funcionamiento, las fallas o los defectos que resulten del uso indebido, el abuso, la negligencia, la alteración, la modificación o la reparación no autorizada. Se aplica solamente al comprador original en una venta minorista y no puede transferirse. One World Technologies, Inc. no otorga otras garantías, representaciones ni promesas respecto de la calidad o del desempeño de este producto además de las que se expresan específicamente en esta garantía. Todas las garantías implícitas otorgadas por leyes estatales, que incluyen garantías de comerciabilidad o idoneidad para un fin determinado, se limitan a dos años a partir de la fecha de compra. One World Technologies, Inc. no se hace responsable de daños directos, indirectos o accidentales. Algunos estados no permiten limitaciones con respecto a la duración de una garantía implícita o la exclusión o limitación de los daños accidentales o resultantes, de modo que es posible que las limitaciones y exclusiones descritas anteriormente no se apliquen en su caso. Esta garantía le otorga derechos legales específicos y también puede gozar de otros derechos que varían según el estado.

# INSTRUCCIONES DE SEGURIDAD IMPORTANTES



## **ADVERTENCIA - Lea todas las instrucciones.**

Para reducir el riesgo de lesiones, el usuario debe leer el manual de instrucciones. El incumplimiento de las instrucciones señaladas abajo puede causar descargas eléctricas, incendios y lesiones serias.

## **GUARDE ESTAS INSTRUCCIONES**

■ **Familiarícese con herramienta. Lea cuidadosamente el manual del operador. Aprenda sus usos y limitaciones, así como los posibles peligros específicos de esta herramienta eléctrica.** Con el cumplimiento de esta regla se reduce el riesgo de una descarga eléctrica, incendio o lesión seria.

■ **No utilice cámara digital en atmósferas explosivas, como las existentes alrededor de líquidos, gases y polvos inflamables.** Las productos de baterías generan chispas que pueden encender el polvo y los vapores inflamables.

■ **Cargue solamente con el cargador indicado.**

MODELO	PAQUETE DE BATERÍAS	CARGADOR
RP4205	AP4001	AP4700, AP4500; AP4800

■ **No desarme la herramienta.** El contacto con las piezas internas puede aumentar el riesgo de descarga eléctrica o provocar daños al producto.

■ **No use esta herramienta para bucear ni para ningún otro uso prolongado bajo el agua.**

■ **No utilice la unidad al estar en una escalera o en un soporte inestable.** Una postura estable sobre una superficie sólida permite un mejor control de la producto en situaciones inesperadas.

■ **No la guarde herramienta en un área del alto calor o de la humedad.** No exponga la cámara al alto calor extendido del sol (tal como encendido un tablero de instrumentos del vehículo.) Dañe al producto o el paquete de la batería puede resultar.

■ **Use el producto de conformidad con estas instrucciones, y de la forma apropiada para la que este fue diseñado, tomando en cuenta las condiciones ambientales y la tarea por realizar.**

■ **Asegúrese de que el producto esté en la posición de apagado antes de introducir el paquete de baterías.** Introducir el paquete de baterías en una herramienta eléctrica que tenga el interruptor en encendido propicia accidentes.

■ **Sólo cargue el paquete de baterías con el cargador especificado por el fabricante.** Un cargador adecuado para un tipo paquete de baterías puede significar un riesgo de incendio si se emplea con un paquete de baterías diferente.

■ **Utilice las producto de baterías sólo con los paquetes de baterías específicamente indicados.** El empleo

de paquetes de baterías diferentes puede presentar un riesgo de incendio.

■ **Cuando no esté utilizándose el paquete de baterías, manténgalo lejos de otros objetos metálicos como clips, monedas, llaves, clavos, tornillos y otros objetos metálicos pequeños que puedan establecer conexión entre ambas terminales.** Establecer una conexión directa entre las dos terminales de las baterías puede causar quemaduras o incendios.

■ **Si se maltratan las baterías, puede derramarse líquido de las mismas; evite todo contacto con éste. En caso de contacto, lávese con agua. Si el líquido llega a tocar los ojos, además busque atención médica.** El líquido de las baterías puede causar irritación y quemaduras.

■ **Al dar servicio a una camera, sólo utilice piezas de repuesto idénticas. Siga las instrucciones señaladas en la sección "Mantenimiento" de este manual.** El empleo de piezas no autorizadas o el incumplimiento de las instrucciones de mantenimiento puede significar un riesgo de descarga eléctrica o de lesiones.

■ **No debe utilizarse este producto si la tapa de la batería no está colocada.**

■ **No coloque camera de baterías ni las baterías mismas cerca del fuego o del calor.** De esta manera se reduce el riesgo de explosiones y de lesiones.

■ **No aplaste, deje caer o dañe de baterías. Nunca utilice una batería o cargador que se ha caído, aplastado, recibido un golpe contundente o ha sido dañado(a) de alguna manera.** Las baterías dañadas pueden sufrir explosiones. Deseche de inmediato toda batería que haya sufrido una caída o cualquier daño.

■ **Las baterías pueden explotar en presencia de fuentes de inflamación, como los pilotos de gas.** Para reducir el riesgo de lesiones serias, nunca use un producto inalámbrico en presencia de llamas expuestas. La explosión de una batería puede lanzar fragmentos y compuestos químicos. Si ha quedado expuesto a la explosión de una batería, lávese de inmediato con agua.

■ **No cargue camera de baterías en lugares mojados o húmedos.** Con el cumplimiento de esta regla se reduce el riesgo de una descarga eléctrica.




■ **Para obtener resultados óptimos, debe cargar la herramienta de baterías en un lugar donde la temperatura esté entre 10 y 35 °C (entre 50 y 94 °F). No guarde la herramienta a la intemperie ni en el interior de vehículos.**

■ **En condiciones extremas de uso o temperatura las baterías pueden emanar líquido. Si el líquido llega a tocarle la piel, lávese de inmediato con agua y jabón. Si le entra líquido en los ojos, láveselos con agua limpia por lo menos 10 minutos, y después busque de inmediato atención médica.** Con el cumplimiento de esta regla se reduce el riesgo de lesiones corporales serias.




■ **Guarde estas instrucciones.** Consúltelas con frecuencia y empléelas para instruir a otras personas que puedan utilizar esta herramienta. Si presta a alguien esta herramienta, facilítele también las instrucciones.

# SÍMBOLOS

Las siguientes palabras de señalización y sus significados tienen el objeto de explicar los niveles de riesgo relacionados con este producto.

SÍMBOLO	SEÑAL	SIGNIFICADO
	<b>PELIGRO:</b>	Indica una situación peligrosa inminente, la cual, si no se evita, causará la muerte o lesiones serias.
	<b>ADVERTENCIA:</b>	Indica una situación peligrosa posible, la cual, si no se evita, podría causar la muerte o lesiones serias.
	<b>PRECAUCIÓN:</b>	Indica una situación peligrosa posible, la cual, si no se evita, podría causar lesiones menores o leves.
	<b>PRECAUCIÓN:</b>	(Sin el símbolo de alerta de seguridad) Indica una situación que puede producir daños materiales.

Es posible que se empleen en este producto algunos de los siguientes símbolos. Le suplicamos estudiarlos y aprender su significado. Una correcta interpretación de estos símbolos le permitirá utilizar mejor y de manera más segura el producto.

SÍMBOLO	NOMBRE	DENOMINACIÓN/EXPLICACIÓN
	Alerta de seguridad	Indica un peligro posible de lesiones personales.
	Lea manual del operador	Para reducir el riesgo de lesiones, el usuario debe leer y comprender el manual del operador antes de usar este producto.
	Símbolos de reciclado	Este producto contiene baterías de níquel-cadmio o iones de litio. Es posible que algunas leyes municipales, estatales o federales prohíban desechar las baterías de níquel-cadmio en la basura normal. Consulte a las autoridades reguladoras de desechos para obtener información en relación con las alternativas de reciclado y desecho disponibles.
V	Volts	Voltaje
min	Minutos	Tiempo
==	Corriente continua	Tipo o característica de corriente

## RYOBI RP4205

Este dispositivo cumple con la sección 15 de las normas de la FCC. El uso depende de las siguientes dos condiciones: (1) Este dispositivo no debe causar interferencias perjudiciales y (2) este dispositivo debe admitir toda interferencia recibida, incluso aquella que pudiera dificultar el funcionamiento esperado.

Este equipo ha sido probado y cumple con los límites para un dispositivo digital Clase A, según lo establecido por la sección 15 de las normas de la FCC. Estos límites se han diseñado para garantizar una protección razonable contra las interferencias perjudiciales en las instalaciones comerciales. Este equipo genera, utiliza y puede irradiar energía de radio frecuencia, y si no se instala y emplea de conformidad con las el manual de instrucciones, puede causar interferencia dañina a las radiocomunicaciones. El funcionamiento de este equipo en una zona residencial puede causar interferencias perjudiciales, en cuyo caso el usuario deberá corregir la interferencia por cuenta propia.

**NOTA:** Se advierte al usuario que cualquier cambio o modificación realizado sin la autorización expresa del responsable del cumplimiento de la norma podrían anular la autoridad del usuario para manejar el equipo.



# CARACTERÍSTICAS

## ESPECIFICACIONES DEL PRODUCTO

Alimentación.....Batería recargable de 4 V  
Entorno de operación.....Temperatura de -5 °C à 40 °C  
Temperatura de almacenamiento.....Temperatura de  
-20 °C à 60 °C  
Resolución de la cámara.....300K píxeles

Zoom digital .....2X  
Resolución pantalla diodo luminiscente. 320 x 240 píxeles  
Tamaño pantalla diodo luminiscente..... 2,7 pulg.

## FAMILIARÍCESE CONLENTE DE INSPECCIÓN CON TELESCOPE

Vea la figura 1, página 8.

Para usar este producto con la debida seguridad se debe comprender la información indicada en la herramienta misma y en este manual. Antes de usar este producto, familiarícese con todas las características de funcionamiento y normas de seguridad del mismo.

## APAGADO AUTOMÁTICO

El lente de inspección con telescope automáticamente cuando haya sido utilizado durante cinco minutos.

## INDICADOR DE BATERÍA /CARGA

El indicador en la en la esquina izquierda de la pantalla que el paquete de baterías de 4 V se está quedando sin carga.

## CABLE DE LA CÁMARA

Cuando la cámara en el extremo del cable se apunta a un objeto, la imagen se muestra en una pantalla de cristal líquido de alta resolución, de 68,6 mm (2,7 pulg.).

## CÁMARA LUZ DE DIODO LUMINISCENTE

La luz de de diodo luminiscente iluminan cuando el interruptor está en encendido. De esta manera se suministra luz adicional para mayor visibilidad.

## ZOOM DIGITAL

Ir de un 1 veces vista normal y 2 veces presionando el botón de zoom digital.

## BOTÓN DE GIRER

Con presione el botón de girer, la imagen puede dar la vuelta de 180 °.

# ARMADO

## DESEMPAQUETADO

Embarcamos este producto completamente armado.

- Extraiga cuidadosamente de la caja el producto y los accesorios. Asegúrese de que estén presentes todos los artículos enumerados en la lista de empaquetado.

### ADVERTENCIA:

No use este producto si no está totalmente ensamblado o si alguna pieza falta o está dañada. Si utiliza un producto que no se encuentra ensamblado de forma correcta y completa, puede sufrir lesiones graves.

- Inspeccione cuidadosamente el producto para asegurarse de que no haya sufrido ninguna rotura o daño durante el transporte.
- No deseche el material de empaquetado sin haber inspeccionado cuidadosamente el producto y haberla utilizado satisfactoriamente.
- Si hay piezas dañadas o faltantes, le suplicamos llamar al 1-800-525-2579, donde le brindaremos asistencia.

## LISTA DE EMPAQUETADO

Lente de inspección con telescope  
Manual del operador

### ADVERTENCIA:

Si hay piezas dañadas o faltantes, no utilice este producto sin haber reemplazado todas las piezas. Usar este producto con partes dañadas o faltantes puede causar lesiones serias al operador.

### ADVERTENCIA:

No intente modificar este producto ni hacer accesorios no recomendados para la misma. Cualquier alteración o modificación constituye maltrato, el cual puede causar una condición peligrosa, y como consecuencia posibles lesiones corporales serias.

### ADVERTENCIA:

Para evitar un arranque accidental que podría causar lesiones corporales serias, siempre desmonte de el producto el paquete de baterías al montarle piezas a aquélla.

# FUNCIONAMIENTO

## **ADVERTENCIA:**

Retire siempre el paquete de baterías de la herramienta antes de instalar las piezas, realizar ajustes, limpiarla o cuando no la utilice. Retirar el paquete de baterías evitará que la unidad se accione accidentalmente y provoque lesiones graves.

## **ADVERTENCIA:**

No utilice ningún aditamento o accesorio no recomendado por el fabricante de esta producto. El empleo de aditamentos o accesorios no recomendados podría causar lesiones serias.

## **FUNCIÓN A PRUEBA DE AGUA**

No use esta producto para bucear ni para ningún otro uso prolongado bajo el agua. Si la cámara queda expuesta a la lluvia o se la sumerge en agua, séquela con un paño lo antes posible.

Sólo la cámara y el cable de la cámara son impermeables. Todos los demás componentes del lente de inspección con telescopio de aplicación son resistentes al agua y nunca debe ser sumergido.

**NOTA:** La presencia de humedad o condensación no son indicadores de una avería en la función a prueba de agua.

Los cambios de temperatura (como mover la cámara de un sitio frío a uno cálido) pueden causar condensación en forma de pequeñas gotas de agua sobre el lente o en el interior de la cámara. Esto es normal en todas las cámaras. De suceder, apague la cámara y extraiga la tapa de la batería y la batería. Colóquela en un área fresca y seca y deje abiertas tanto la tapa de la batería. Espere al menos una hora antes de volver a encender la cámara.

## **PARA DESMONTAR Y MONTAR EL PAQUETE DE BATERÍAS**

*Vea la figura 2, página 9.*

### **Para instalar el paquete de baterías:**

- Desenrosque la tapa del compartimiento de la batería.  
**NOTA:** No retire la junta tórica que se encuentra dentro de la tapa.
- Introduzca el paquete de baterías en la dirección que se muestra. Asegúrese de que la costilla realizada sobre el paquete de baterías quede alineada con la ranura del lente de inspección con telescopio.
- Coloque la tapa sobre el paquete de baterías y empuje hacia abajo hasta que la tapa toque la rosca que se encuentra en el extremo del compartimiento de la batería.
- Enrosque la tapa firmemente.

### **Para retirar el paquete de baterías:**

- Apague la lente de inspección con telescopio. Desenrosque la tapa. El paquete de baterías se desconecta y se retira fácilmente.
- No intente usar este producto si la tapa de la batería no está firmemente cerrada.

## **BOTÓN POWER (ENCENDIDO)**

*Vea la figura 3, página 9.*

Cuando la lente de inspección con telescopio se enciende y la cámara apunta a un objeto, la pantalla de cristal líquido donde se muestra la imagen a la que apunta el objetivo.

### **Para encender :**

- Oprima y no suelte el botón power (encendido).
- Suelte el botón de encendido cuando la pantalla se enciende.

### **Para apagar:**

- Oprima y no suelte el botón power (encendido).
- Suelte el botón de encendido cuando la pantalla se apagar.

**NOTA:** El alcance con apagará automáticamente si no se utiliza durante cinco minutos.

## **BOTÓN DE GIRER**

*Vea la figura 4, página 9.*

La imagen en la pantalla diodo luminiscente se puede girar 180 ° pulsando el botón de girar. Presione el botón de girar una segunda vez para girar hacia atrás 180 ° a su posición original.

## **ZOOM DIGITAL**

*Vea la figura 5, página 9.*

La vista de la pantalla puede ser ampliada a 2 veces la vista normal. Cada vez que el zoom digital botón es pulsado, la vista se ampliará 1/3 a la vez hasta 2 veces el zoom. El zoom icono aparece en la parte superior derecha de la pantalla.

- Pulse el icono de zoom para acercar la vista seleccionada.
- Siga pulsando el icono de zoom para acercarse y finalmente de nuevo a 1 vez.

## **BOTÓN DE BRILLO DIODO LUMINISCENTE**

*Vea la figura 6, página 9.*

El diodo luminiscente tiene tres niveles de brillo y un cuarto nivel que se vuelve el brillo apagado. Cada vez que el botón se pulsa el brillo diodo luminiscente, cambia el nivel de brillo. El icono diodo luminiscente se muestra en la esquina inferior derecha de la pantalla.

# MANTENIMIENTO

## **ADVERTENCIA:**

Al dar servicio a la unidad, sólo utilice piezas de repuesto idénticas. El empleo de piezas diferentes puede causar un peligro o dañar el producto.

## **ADVERTENCIA:**

Cuando manteniendo, siempre póngase protección ocular con protección lateral con la marca de cumplimiento de la norma ANSI Z87.1.

## **MANTENIMIENTO GENERAL**

Evite el empleo de solventes al limpiar piezas de plástico. La mayoría de los plásticos son susceptibles a diferentes tipos de solventes comerciales y pueden resultar dañados. Utilice paños limpios para eliminar la suciedad, el polvo, el aceite, la grasa, etc.

## **ADVERTENCIA:**

No permita en ningún momento que fluidos para frenos, gasolina, productos a base de petróleo, aceites penetrantes, etc., lleguen a tocar las piezas de plástico. Las sustancias químicas pueden dañar, debilitar o destruir el plástico, lo cual a su vez puede producir lesiones corporales serias.

## **ALMACENAMIENTO**

Si se guarda la cámara en un sitio fresco y seco, se evitará la formación de condensación o moho en su interior.

Antes de almacenar, quite siempre el paquete de baterías del compartimiento de baterías.

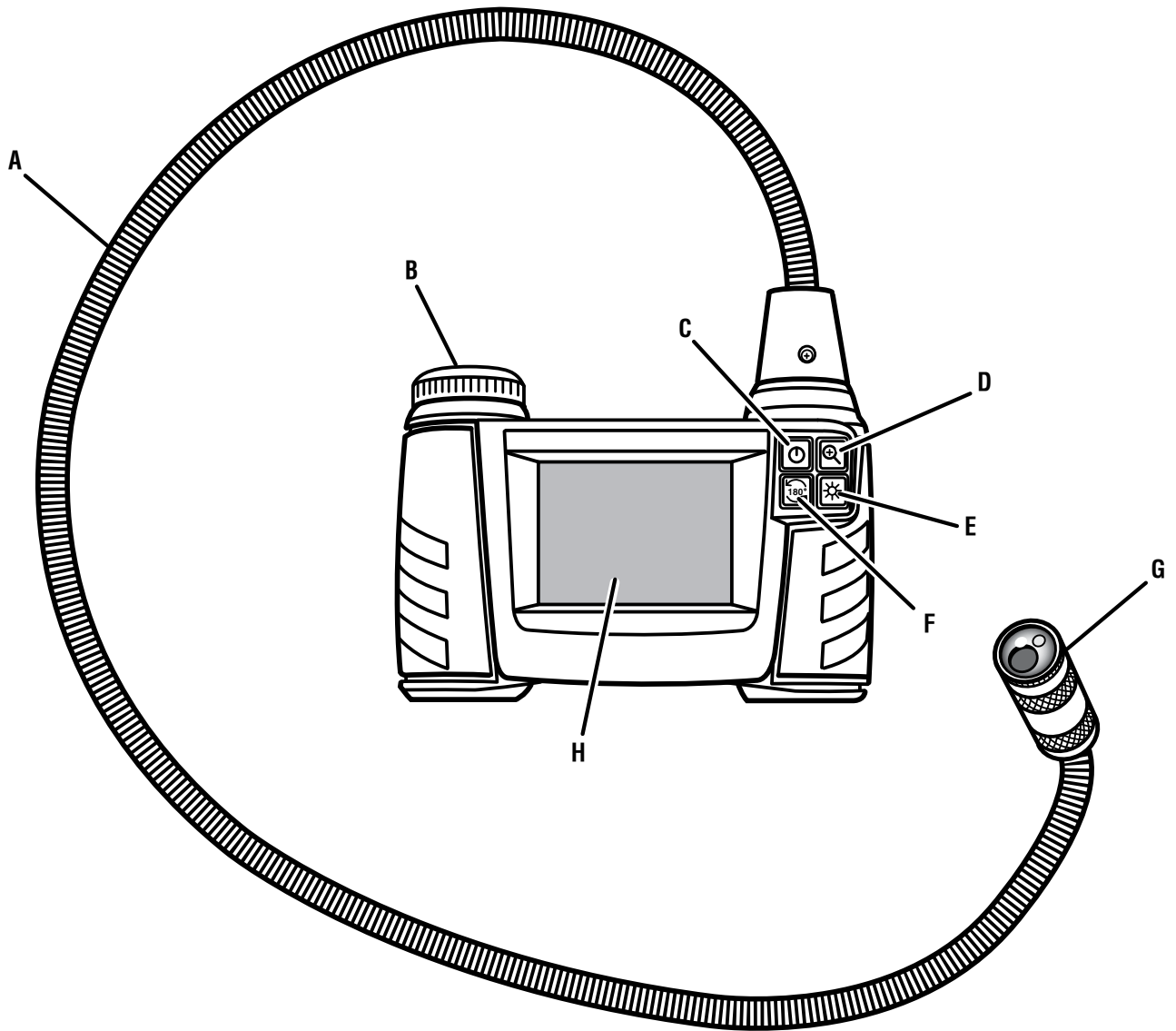
No guarde el conjunto de auriculares y micrófono a temperaturas superiores a los 50 °C (122 °F) (p. ej., sobre un tablero de mandos o en el interior de un vehículo).

## **REMOCIÓN Y PREPARACIÓN DEL PAQUETE DE BATERÍAS PARA EL RECICLADO**

### **ADVERTENCIA:**

Al retirar el paquete de baterías, cubra las terminales del mismo con cinta adhesiva reforzada. No intente destruir o desarmar el paquete de baterías, ni de desmontar ninguno de sus componentes. Las baterías deben reciclarse o desecharse debidamente. Asimismo, nunca toque ambas terminales con objetos metálicos y partes del cuerpo, ya que puede producirse un corto circuito. Manténgase fuera del alcance de los niños. La inobservancia de estas advertencias puede causar incendios y lesiones corporales serias.

**Fig. 1**

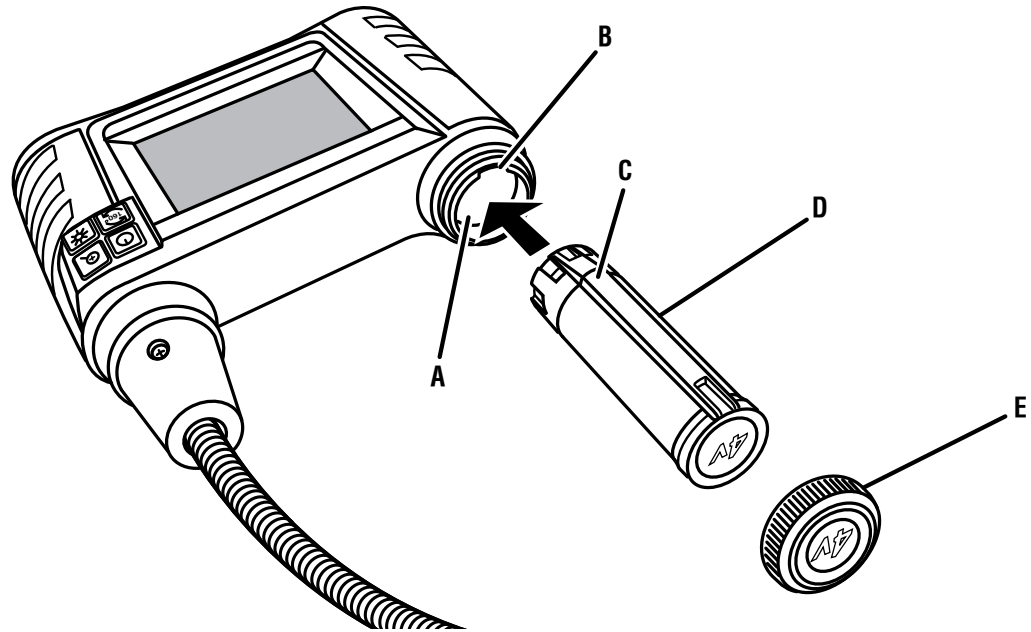


A - Camera cable (câble de caméra, cable de la cámara)  
B - Battery cap (bouchon de piles, cubierta de baterías)  
C - Power Button (bouton de mise en marche, botón de encendido)  
D - Digital zoom button (bouton de zoom numérique, botón de zoom digital)

E - LED brightness button (bouton de luminosité déj, botón de brillo diod luminecente)  
F - Rotate button (bouton de tourne, botón de girer)  
G - Camera (caméra, cámara)  
H - LCD screen (afficheur ACL, pantalla de cristal líquido)

**Fig. 2**

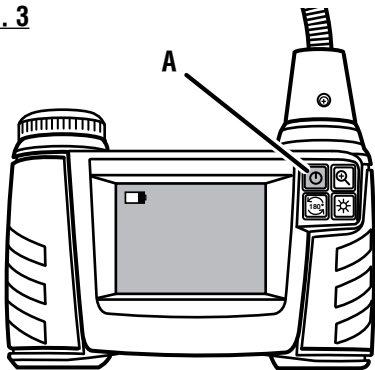
**INSTALL/REMOVE BATTERY PACK  
POUR INSTALLER/ ENLEVER LE BLOC-PILES  
PARA INSTALAR / RETIRAR EL PAQUETE DE BATERÍAS**



A - Battery compartment (compartiment de pile, compartimiento de la batería)  
B - Groove (rainure, ranura)

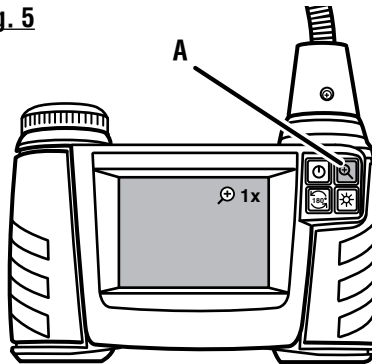
C - Raised rib (épaulements surélevés, costillas realizadas)  
D - Battery pack (bloc-pile, paquete de batería)  
E - Battery cap (couvercle pile, tapa batería)

**Fig. 3**



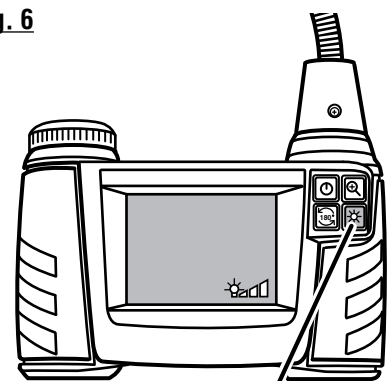
A - Power Button (bouton de mise en marche, botón de encendido)

**Fig. 5**



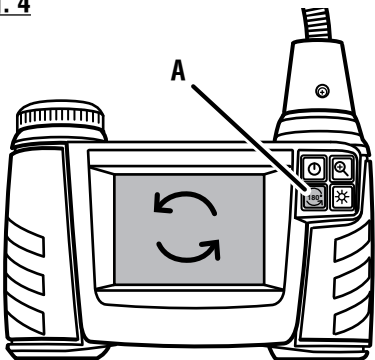
A - Digital zoom button (bouton de zoom numérique, botón de zoom digital)

**Fig. 6**



A -LED brightness button (bouton de luminosité dél, botón de brillo diod luminecente)

**Fig. 4**



A - Rotate button (bouton de tournez, botón de girer)







## OPERATOR'S MANUAL / Tek4® INSECTION SCOPE

MANUEL D'UTILISATION / MICROSCOPE D'INSPECTION Tek4®

MANUAL DEL OPERADOR / LENTE DE INSPECCIÓN CON

TELESCOPIO DE Tek4®

**RP4205**

### • PARTS AND SERVICE

Prior to requesting service or purchasing replacement parts, please obtain your model and serial number from the product data plate.

- MODEL NUMBER RP4205
- SERIAL NUMBER \_\_\_\_\_

### • HOW TO OBTAIN REPLACEMENT PARTS:

Replacement parts can be purchased online at [www.ryobitools.com](http://www.ryobitools.com) or by calling 1-800-525-2579. Replacement parts can also be obtained at one of our Authorized Service Centers.

### • HOW TO LOCATE AN AUTHORIZED SERVICE CENTER:

Authorized Service Centers can be located online at [www.ryobitools.com](http://www.ryobitools.com) or by calling 1-800-525-2579.

### • HOW TO OBTAIN CUSTOMER OR TECHNICAL SUPPORT:

To obtain Customer or Technical Support please contact us at 1-800-525-2579.

RYOBI® is a registered trademark of Ryobi Limited used under license.

### • PIÈCES ET SERVICE

Avant de faire la demande de service ou l'achat de pièces de remplacement, veuillez obtenir le numéro de série du modèle à partir de la plaque de données du produit.

- NUMÉRO DE MODÈLE RP4205
- NUMÉRO DE SÉRIE \_\_\_\_\_

### • COMMENT OBTENIR LES PIÈCES DE REMPLACEMENT :

Les pièces de remplacement peuvent être achetées en ligne sur le site [www.ryobitools.com](http://www.ryobitools.com) ou par téléphone au 1-800-525-2579. Les pièces de remplacement peuvent être obtenues à un de nos centres de service autorisés.

### • COMMENT TROUVER UN CENTRE DE SERVICE AUTORISÉ :

Les centres de service autorisés peuvent être localisés en ligne au [www.ryobitools.com](http://www.ryobitools.com) ou en téléphonant au 1-800-525-2579.

### • COMMENT OBTENIR DE L'AIDE EN CONTACTANT LE SERVICE À LA CLIENTÈLE :

Pour contacter le service à la clientèle pour une question technique ou pour tout autre renseignement, veuillez nous téléphoner au 1-800-525-2579.

RYOBI® est une marque déposée de Ryobi Limited utilisée sous licence.

### • PIEZAS DE REPUESTO Y SERVICIO

Antes de solicitar servicio técnico o comprar piezas de repuesto, obtenga su modelo y número de serie de la placa de datos del producto.

- NÚMERO DE MODELO RP4205
- NÚMERO DE SERIE \_\_\_\_\_

### • CÓMO OBTENER PIEZAS DE REPUESTO:

Las piezas de repuesto se pueden comprar en nuestro sitio en la red mundial, en la dirección [www.ryobitools.com](http://www.ryobitools.com) o llamando al 1-800-525-2579. Las piezas de repuesto también se pueden obtener en uno de nuestros Centros de Servicio Autorizados.

### • CÓMO LOCALIZAR UN CENTRO DE SERVICIO AUTORIZADO:

Puede encontrar los Centros de Servicio Autorizados visitando nuestro sitio en la red mundial, en la dirección [www.ryobitools.com](http://www.ryobitools.com) o llamando al 1-800-525-2579.

### • CÓMO OBTENER SERVICIO O ASISTENCIA TÉCNICA AL CONSUMIDOR:

Para obtener Servicio o Asistencia Técnica al Consumidor, sírvase comunicarse con nosotros llamando al 1-800-525-2579.

RYOBI® es una marca comercial registrada de Ryobi Limited y es empleada mediante autorización.

## ONE WORLD TECHNOLOGIES, INC.

1428 Pearman Dairy Road, Anderson, SC 29625 • Phone 1-800-525-2579

États-Unis, Téléphone 1-800-525-2579 • USA, Teléfono 1-800-525-2579