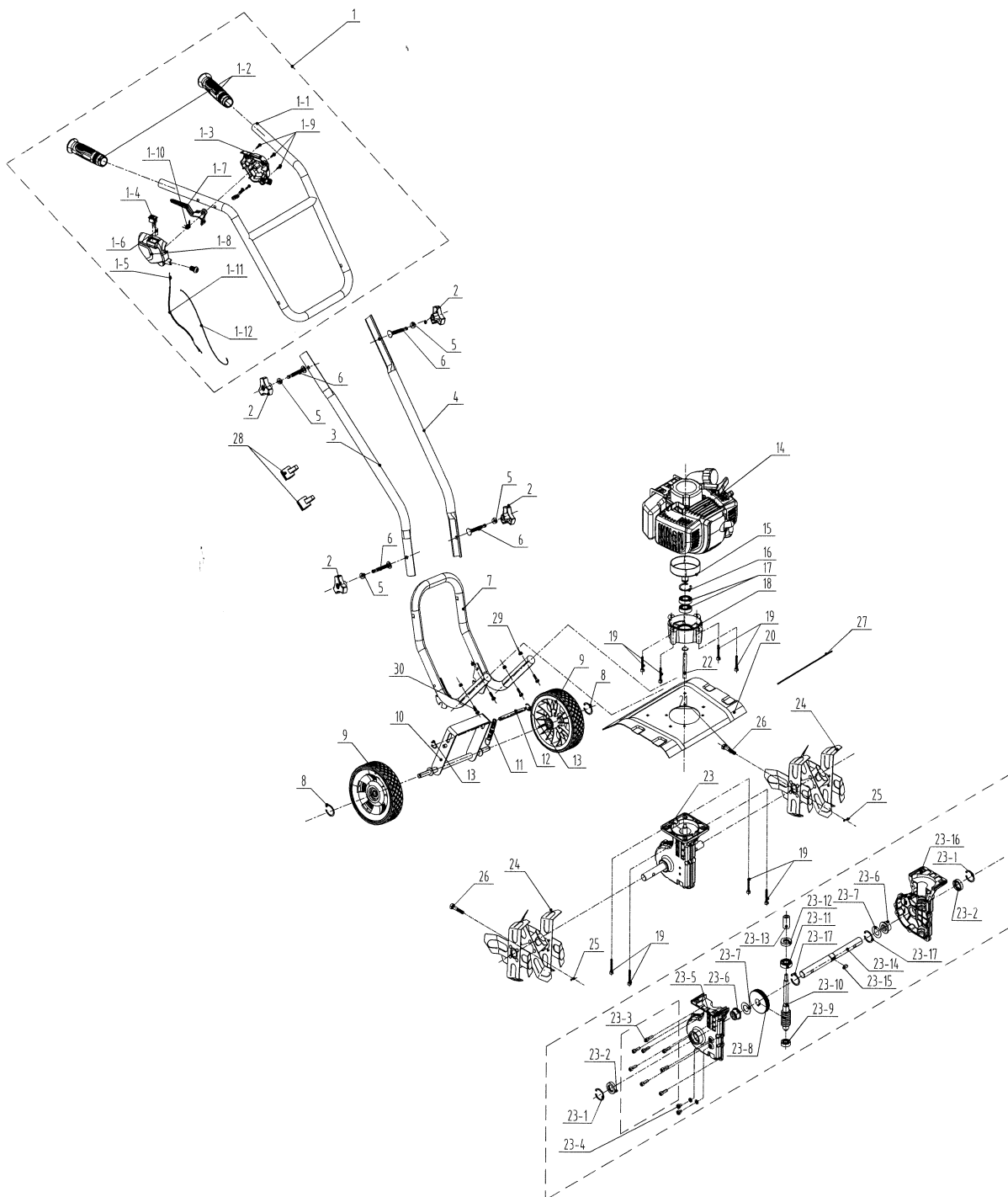


Service Parts

MODEL TYPE: A063001



Service Parts (continued)

No.	Part #	Description	Qty.
1	199004000734	Handle Assembly	1
1-1	201139000118	Push Rod	1
1-2	202015000438	Pipe Sleeve	2
1-3	202113000063	Switch Box	1
1-4	207180200003	Rocker Switch	1
1-5	199999001487	Flameout Wire	1
1-6	301200014	Heat Shrinkable Tube	0.03
1-7	202004001120	Trigger	1
1-8	202113000064	Switch Box	1
1-9	2073110000001	Cross Recessed Pan Head Flange Surface Non-slip Self-tapping Screws	3
1-10	207010400011	Double Torsion Spring	1
1-11	303000005	Wave Tube	1.2
1-12	199081000137	Cable Assembly	1
2	207259900694	Upper Knob	4
3	201139000119	Push Rod	1
4	201139000121	Push Rod	1
5	202145000005	Plastic Mat	4
6	207229900163	Square Neck Bolt	1
7	201139000120	Push Rod	1
8	207340100022	Elastic Ring For Shaft	2
9	207150100027	Wheel	2
10	199130000048	Bracket Assembly	1
11	207019900268	Wheel Adjustment Spring	1
12	201026000470	Shaft	1
13	207340100020	Elastic Ring For Shaft	2
14	103001000362	Engine Head Assembly	1
15	201160000017	Passive Plate	1
16	207340100009	Elastic Stop Ring For Hole	1
17	207390100115	Bearing	2
18	201101000072	Rear Fixed Seat	1

No.	Part #	Description	Qty.
19	207310100373	Hexagon Socket Head Screw	8
20	201123000050	Panel	1
21	207340100029	Elastic Ring For Shaft	1
22	201022000051	Soft Shaft	1
23	199015000110	Gearbox Assembly	1
23-1	207340100008	Elastic Stop Ring For Hole	2
23-2	202999001448	Oil Seal	2
23-3	207310100522	Hexagon Socket Head Screw	8
23-4	207310100518	Hexagon Socket Head Screw	2
23-5	201999000441	Worm Gear Right Side Case	1
23-6	201999000972	Bush	2
23-7	207330100085	Flat Washer	2
23-8	201010000009	Worm Gear	1
23-9	207390100065	Bearing	1
23-10	201009000008	Worm	1
23-11	207390100090	Bearing	1
23-12	202999000899	Oil Seal	1
23-13	207280100050	Shaft Sleeve	1
23-14	201026000048	Hob Support Shaft	1
23-15	201999000733	Round Flat Key	1
23-16	201999000438	Worm Wheel Left Side Case	1
23-17	207340100030	Elastic Ring For Shaft	2
24	199115000006	Rotary Cutter Assembly	1
25	207190300001	Cotter Pin	2
26	207190400008	Hinge Pin	2
27	304000006	Binding Wire	1
28	202157000096	Line Deduction	2
29	207320100084	Type 1 Non-metallic Insert Hex Lock Nut	4
30	207229900171	Square Neck Bolt	4