



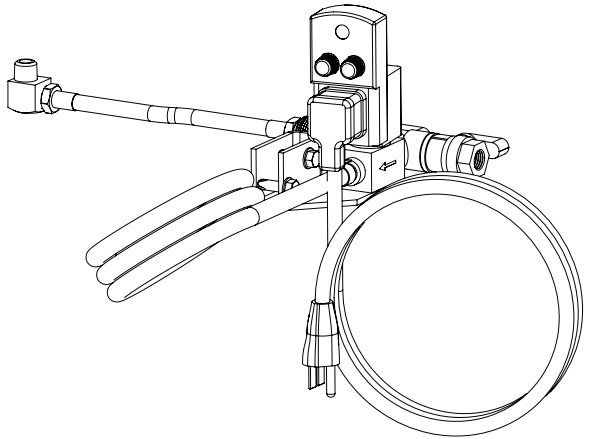
USE AND CARE GUIDE

AUTOMATIC ELECTRONIC TANK DRAIN

Questions, problems, missing parts?
Before returning to the store, call
Husky Customer Service
8 a.m. - 7 p.m., EST, Monday - Friday
9 a.m. - 6 p.m., EST, Saturday

1-888-HD-HUSKY

HUSKYTOOLS.COM



200-3132-C_8-7-18

THANK YOU

We appreciate the trust and confidence you have placed in Husky through the purchase of this air compressor accessory. We strive to continually create quality products designed to enhance your home. Visit us online to see our full line of products available for your home improvement needs. Thank you for choosing Husky!

Table of Contents

Safety Information	2	Installing the auto tank drain	5
Work Area Safety	2	Operation.....	6
Personal Safety	2	Using the auto tank drain.....	6
Warranty	3	Setting the timer	6
Pre-Installation	4	Maintenance	7
Specifications	4	Maintaining and cleaning the auto tank drain.....	7
Package Contents	4	Troubleshooting	7
Planning Installation	4		
Installation	5		

Safety Information

This manual contains information that is important for you to know and understand. This information relates to protecting your safety and preventing equipment problems. To help you recognize this information, we use the symbols at the right. Please read the manual and pay attention to these symbols.



WARNING: Indicates a potentially hazardous situation which, if not avoided, could result in death or serious injury.



CAUTION: Indicates a potentially hazardous situation which, if not avoided, may result in minor or moderate injury.

NOTICE: Indicates a practice not related to personal injury which, if not avoided, may result in property damage.



DANGER: Indicates an imminently hazardous situation which, if not avoided, will result in death or serious injury.

WORK AREA SAFETY

- Keep your work area clean and well lit. Ensure floors are not slippery from wax or dust.



WARNING: Refer to the drain valve's serial label for the unit's voltage and amperage requirements. Ensure that all wiring is done by a licensed electrician, in accordance with the National Electrical code.



CAUTION: Prior to installation or any maintenance, drain all pressure from the system and disconnect power.



WARNING: Do not operate power tools in explosive atmospheres, such as in the presence of flammable liquids, gases, or dust. Power tools create sparks which may ignite the dust or fumes. Keep bystanders, children, pets, and visitors away while operating tools. Distractions can cause you to lose control.

PERSONAL SAFETY

- Keep proper footing and balance at all times. Proper footing and balance enables better control of the tool in unexpected situations.



WARNING: Never use an electric drain valve outdoors when it is raining or on a wet surface, as it may cause an electric shock. Failure to provide adequate grounding to this product could result in serious injury or death from electrocution. Make certain that the electrical circuit to which the compressor is connected provides proper electrical grounding, correct voltage and adequate fuse protection.



WARNING: Do not exceed maximum pressure of 230 PSI. Do not allow exposure to freezing conditions (32°F) or temperatures higher than 140°F.



CAUTION: Protect the electric cord from damage and puncture. Inspect the cord weekly for weak or worn spots, and replace if necessary.

To reduce the risk of electric shock, do not expose to rain. Store indoors.

Never operate the drain valve if the power cord or plug is damaged. Have the unit serviced at a qualified service center.

When installing the Electronic Drain Valve, make sure the power is turned off and the air system is drained to Zero "0" pressure.

To prevent movement or whipping of the drain hose during operation, the end of the hose supplied in the kit must be secured to a suitable drain line or container.



WARNING: Operating any power tool can result in foreign objects being thrown into your eyes, which can result in severe eye damage. Before beginning operation, always wear safety goggles, safety glasses with side shields, or a full face shield when needed. Always use eye protection marked to comply with ANSI Z87.1.



WARNING: CONTAINS LEAD. May be harmful if eaten or chewed. May generate dust containing lead. Wash hands after use. Keep out of reach of children.



WARNING: This product can expose you to chemicals including Lead and Di(2-ethylhexyl) phthalate (DEHP), which are known to the State of California to cause cancer and birth defects or other reproductive harm. For more information go to www.P65Warnings.ca.gov.



WARNING: Use safety equipment. Always wear eye protection with side shields when operating power tools. A dust mask, non-skid safety shoes, hard hat, or hearing protection must be used for appropriate conditions.

LIMITED WARRANTY

WHAT IS COVERED

The manufacturer warrants to the original retail purchaser that this product is free from defect in material and workmanship and agrees to repair or replace, at the manufacturer's discretion, any defective product free of charge within these time periods from the date of purchase.

This warranty is valid for one (1) year if the product is used for personal, family, or household use, and ninety (90) days if used for any other purpose, such as commercial or rental use.

This warranty extends to the original retail purchaser only and commences on the date of the original retail purchase.

Any part of the product manufactured or supplied by the manufacturer and found in the reasonable judgment of the manufacturer to be defective in material or workmanship will be repaired or replaced by an authorized service dealer without charge for parts and labor.

The product, including any defective part, must be returned to an authorized service dealer within the warranty period. The expense of delivering the manufacturer's product to the dealer for warranty work and the expense of returning it back to the owner after repair or replacement will be paid by the owner. The manufacturer's responsibility in respect to claims is limited to making the required repairs or replacements and no claim of breach of warranty shall be cause for cancellation or rescission of the contract of sale of any of the manufacturer's product. Proof of purchase will be required by the dealer to substantiate any warranty claim. All warranty work must be performed by an authorized service dealer.

WHAT IS NOT COVERED

This warranty does not cover any of the manufacturer's product that has been subject to misuse, neglect, negligence, accident, or that has been operated in any way contrary to the operating instructions as specified in this manual. This warranty does not apply to any damage to the manufacturer's product that is the result of improper maintenance or to any manufacturer's product that has been altered or modified. The warranty does not extend to repairs made necessary by normal wear or by the use of parts or accessories which are either incompatible with the manufacturer's product or adversely affect its operation, performance, or durability.

The manufacturer reserves the right to change or improve the design of any product without assuming any obligation to modify any product previously manufactured. All implied warranties are limited in duration to the stated warranty period. Accordingly, any such implied warranties including merchantability, fitness for a particular purpose, or otherwise, are disclaimed in their entirety after the expiration of the appropriate two-year or ninety day warranty period. The manufacturer's obligation under this warranty is strictly and exclusively limited to the repair or replacement of defective parts and the manufacturer does not assume or authorize anyone to assume for it any other obligation. Some states do not allow limitations on how long an implied warranty lasts, so the above limitation may not apply to you. The manufacturer assumes no responsibility for incidental, consequential, or other damages including, but not limited to, expense of returning the manufacturer's product to an authorized service dealer and expense of delivering it back to the owner, mechanic's travel time, telephone or telegram charges, rental of a like product during the time warranty service is being performed, travel, loss or damage to personal property, loss of revenue, loss of use of the product, loss of time, or inconvenience. Some states do not allow the exclusion or limitation of incidental or consequential damages, so the above limitation or exclusion may not apply to you.

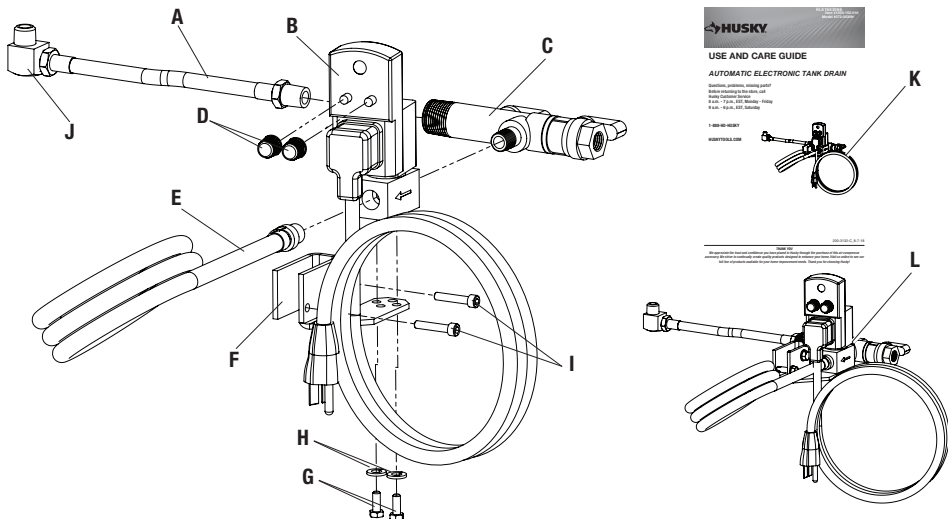
This warranty gives you specific legal rights, and you may also have other rights which vary from state to state.

Contact the Customer Service Team at 1-888-HD-HUSKY or visit www.huskytools.com.


Pre-Installation

SPECIFICATIONS

Cycle Time	0.5 - 45 Minutes
Discharge Time	0.5 - 10 Seconds
Supply Voltage	24-240V~, 50/60Hz
Electrical Rating	24-240V~, 50/60Hz, 0.2A
Environmental Protect	Nema 4
Operating Temperature	33°F - 140°F
Maximum Pressure	230 PSI
Orifice Size	3/16 in.



Part	Description	Qty.	Part	Description	Qty.
A	Flexible drain tube	1	G	Screws, #10-32 x 1/2 in.	2
B	Electronic tank drain assembly	1	H	Lock washers, #10	2
C	Strainer ball valve	1	I	Socket head cap screws, 1/4-20 x 1 in.	2
D	Caps	2	J	Elbow	1
E	Clear drain hose assembly	1	K	Use and care guide	1
F	Universal mounting bracket	1	L	Complete assembled tank drain	1

 **NOTE:** Tools not shown to actual size.

TOOLS REQUIRED



Adjustable
Wrench



Thread
Seal Tape
(Included)



Safety
Goggles



3/16 in. Allen
Wrench

Installation

1 Installing the automatic electronic tank drain



DANGER: This product is specifically designed for compressed air service only.



WARNING: Always turn the compressor OFF, disconnect from power source, and drain all pressure from the system before servicing.



WARNING: RISK OF INJURY - DO NOT install the electronic tank drain until all pressure has been drained from the tank and the power to the unit has been disconnected.



NOTE: Do not allow condensate to freeze in the tank and drain valve.

NOTE: These products are designed specifically for compressed air service only.

NOTE: Dispose of condensate in accordance with local, state or federal guidelines.

- Start threading the two screws (I) into the bracket (F).
- Install the bracket (F) onto the bottom of the electronic automatic tank drain assembly (B) with washers (H) and screws (G). Tighten using an adjustable wrench.
- Remove the existing petcock from the bottom of the tank using an adjustable wrench.



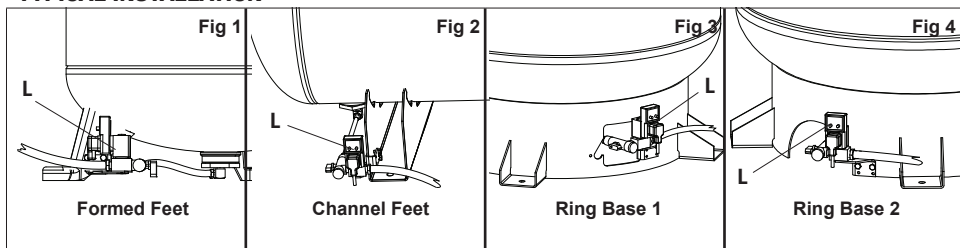
CAUTION: Make sure the air system is drained to zero "0" before removing petcock and before installing the flexible drain tube.



NOTE: Use thread sealer or Teflon® on all male threads.

- Install the elbow end of the flexible drain tube (J) into the bottom of the tank. Tighten using and adjustable wrench.
- Attach the strainer ball valve (C) to the back of the electronic automatic tank drain assembly (B). Tighten using an adjustable wrench.
- Attach the straight swivel end of the flexible drain tube (A) into the end of the strainer ball valve (C). Tighten using an adjustable wrench.
- Attach the clear drain hose assembly (E) to the electronic automatic drain assembly (B). Tighten using an adjustable wrench.
- Attach the bracket (F) of the bracket assembly (L) to the bottom of the tank according to examples in figures 1-4. Tighten screws securely using a 3/16 in. allen wrench.
- Supply the electronic automatic tank drain with the proper electrical supply voltage.

TYPICAL INSTALLATION



Operation

1 Using the Electronic Automatic Tank Drain



WARNING: Do not operate the Electronic Automatic Tank Drain outside the following pressure and temperature ranges.

Maximum pressure	230 psi
Compressed air temperature	33 to 265°F
Ambient temperature	33 to 140°F

- Open the strainer ball valve (see Fig. 5).
- Set the “time off” and “time on” knobs on front of the electronic automatic drain assembly (B) (see Timer Settings section).
- During compressor operation, check for air leaks.

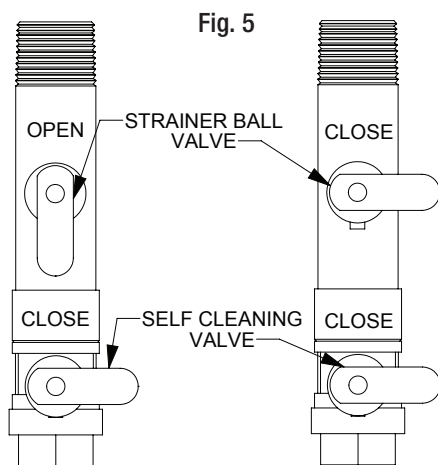


Fig. 5

2 Setting the timer

- To set the timer knobs, first remove the caps (D) from the front of the timer.
- The “time off” setting determines the interval between cycles from 30 seconds to 45 minutes. The “time on” setting determines the actual time the compressor drains condensate (.5 seconds to 10 seconds) from the 1/4 in. or 1/2 in. condensate outlet port.
- The timer’s cycle rate and drain opening time should be adjusted to open just long enough to discharge the condensate. The timer is properly set when it opens and discharges condensate and then vents air for approximately one second before closing. Adjustments may be made depending on many factors, including humidity and duty cycle.
- To check the “time on” setting to see if it is draining long enough, press the “TEST” button. The compressor will drain the condensate for the length of time set. Adjust the “time on” setting accordingly.
- Reattach the caps (D) to the timer knobs when the timer is set.



NOTE: The “OFF” light should be illuminated to show that the timer is working. The only time the “ON” light will come on is when the condensate is draining or the “TEST” button is pressed.

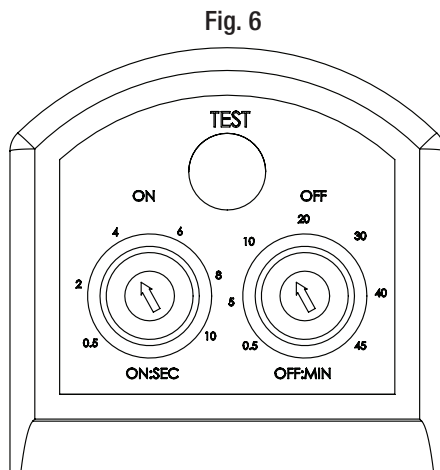


Fig. 6

Maintenance

1 Maintaining and Cleaning the Electronic Automatic Tank Drain



NOTE: The following maintenance schedule has been developed for typical application. Maintenance intervals should be shortened in harsher environments.

Daily	Test the strainer ball valve for proper operation. Operate the self cleaning valve if needed.
Monthly (Every 30 days)	Turn the self cleaning valve to the open position for 1-2 seconds then turn to the closed position.



CAUTION: Always wear ANSI X87.1 approved safety goggles when performing maintenance. High pressure can cause injury from flying debris.

To clean the strainer ball valve assembly:

- Turn the self cleaning valve to the “OPEN” position for 1-2 seconds. This will blow out any debris that may be in the valve.
- Turn the self cleaning valve to the “CLOSED” position.

Troubleshooting

1 Troubleshooting



WARNING: Always turn the compressor OFF, disconnect from the power source, and drain all pressure from the system before servicing.

Troubleshooting

Problem	Possible Cause	Solution
Valve will not close.	Debris in self cleaning valve.	Clean valve (See “Maintenance”).
	Short in electrical component.	Check the power cord for proper connection.
Timer will not activate.	No electrical supply.	Apply power.
	Clogged port.	Clean valve (See “Maintenance”).
	Clogged strainer ball valve.	Clean valve (See “Maintenance”).
Condensate not discharging.	Filter in strainer ball valve could be clogged.	Clean valve (See “Maintenance”).



Questions, problems, missing parts? Before returning to the store, call
Husky Customer Service
8 a.m. - 7 p.m., EST, Monday - Friday
9 a.m. - 6 p.m., EST, Saturday

1-888-HD-HUSKY

HUSKYTOOLS.COM

Retain this manual for future use.



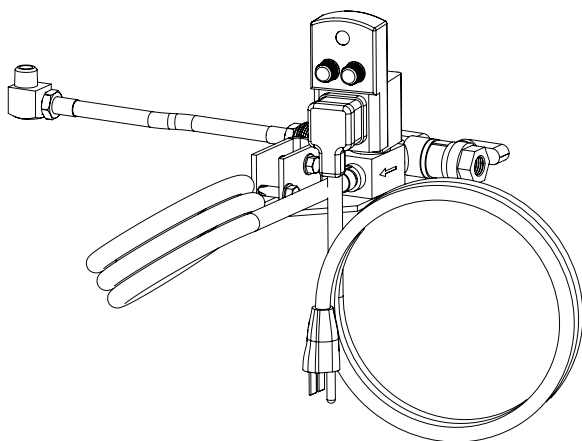
GUÍA DE USO Y CUIDADO

DRENAJE DE TANQUE ELECTRÓNICO AUTOMÁTICO

¿Tiene preguntas o problemas, o le faltan piezas?
Antes de regresar a la tienda, llame al Servicio
de Atención al Cliente de Husky
Lunes a viernes de 8:00 a.m. a 7:00 p.m., EST,
y los sábados de 9:00 a.m. a 6:00 p.m., EST

1-888-HD-HUSKY

HUSKYTOOLS.COM



200-3132-C_8-7-18

GRACIAS

Agradecemos la confianza que ha depositado en Husky a través de la compra de este accesorio para compresor de aire. Siempre buscamos crear productos de calidad diseñados para mejorar su hogar. Visítenos en línea para ver nuestra línea completa de productos disponibles para sus necesidades de mejoras del hogar. ¡Gracias por elegir Husky!

Índice

Información de seguridad	2
Seguridad en el área de trabajo.....	2
Seguridad personal	2
Garantía.....	3
Preinstalación.....	4
Especificaciones	4
Contenido del paquete	4
Planificación de la instalación	4
Instalación	5

Instalación del drenaje de tanque automático	5
Uso	6
Uso del drenaje de tanque automático ..	6
Ajuste del temporizador	6
Mantenimiento.....	7
Mantenimiento y limpieza del drenaje de tanque automático	7
Resolución de problemas	7

Información de seguridad

Este manual contiene información importante que debe conocer y comprender. Esta información está relacionada a la protección de su seguridad y a evitar problemas con el equipo. Para ayudarlo a reconocer esta información, usamos los símbolos a la derecha. Lea el manual y preste atención a estos símbolos.



ADVERTENCIA: Indica una situación de peligro posible la cual, si no se evita, puede provocar la muerte o lesiones graves.



PRECAUCIÓN: Indica una situación de peligro posible la cual, si no se evita, podría provocar lesiones leves o moderadas.



AVISO: Indica una práctica no relacionada a lesiones personales la cual, si no se evita, podría provocar daños a la propiedad.



PELIGRO: Indica una situación de peligro inminente la cual, si no se evita, provocará la muerte o lesiones graves.

SEGURIDAD EN EL ÁREA DE TRABAJO

- Mantenga su área de trabajo limpia y bien iluminada. Asegúrese de que los pisos no estén resbalosos debido a la cera o al polvo.



ADVERTENCIA: Consulte la etiqueta de serie de la válvula de drenaje para conocer los requisitos de voltaje y amperaje de la unidad. Asegúrese de que un electricista con licencia realice todo el cableado de acuerdo con la norma eléctrica nacional.



PRECAUCIÓN: Antes de instalar o dar mantenimiento, drene toda la presión del sistema y desconecte la alimentación.



ADVERTENCIA: No opere herramientas eléctricas en atmósferas explosivas, tales como ante la presencia de líquidos, gases o polvos inflamables. Las herramientas eléctricas crean chispas que pueden encender el polvo o los vapores. Mantenga a las personas que estén cerca, a los niños, a las mascotas y a los visitantes alejados al operar herramientas. Las distracciones pueden causar la pérdida de control del equipo.

SEGURIDAD PERSONAL

- Manténgase de pie sólidamente apoyado y en equilibrio en todo momento. Un apoyo sólido y un buen equilibrio permite un mejor control de la herramienta en situaciones inesperadas.



ADVERTENCIA: Nunca use una válvula de drenaje eléctrico en exteriores cuando esté lloviendo o sobre una superficie húmeda, ya que podría causar una descarga eléctrica. No proporcionar una conexión a tierra apropiada para este producto puede provocar lesiones graves o muerte por electrocución. Asegúrese de que el circuito eléctrico al cual el compresor está conectado tenga una buena conexión eléctrica, la tensión correcta y la protección de fusible adecuada.



ADVERTENCIA: No exceda la presión máxima de 230 PSI. No permita la exposición a condiciones de congelación (32 °F) o temperaturas superiores a 140 °F.



PRECAUCIÓN: Proteja el cable de alimentación de daños y pinchazos. Verifique cada semana si el cable tiene puntos debilitados o desgastados, y reemplácelo de ser necesario.

Para reducir el riesgo de descarga eléctrica, no lo exponga a la lluvia. Almacene en interiores.

Nunca opere la válvula de drenaje si el cable de alimentación o el enchufe están dañados. Lleve la unidad a reparar a un centro de servicio calificado.

Cuando instale la válvula de drenaje electrónico, asegúrese de que la alimentación esté apagada y el sistema de aire esté drenado a presión cero "0".

Para evitar movimiento o fatiga de la manguera de drenaje durante el funcionamiento, el extremo de la manguera suministrada con el juego se debe fijar a un contenedor o línea de drenaje apropiada.



ADVERTENCIA: Operar cualquier herramienta eléctrica puede provocar la expulsión de objetos extraños hacia sus ojos, lo cual puede ocasionar daños graves en los ojos. Antes de comenzar la operación, siempre utilice gafas de seguridad, ya sea los modelos comunes o aquellos con escudos laterales, o un escudo facial completo cuando esto sea necesario. Siempre utilice protección ocular, marcada para cumplir con ANSI Z87.1.



ADVERTENCIA: CONTIENE PLOMO. Podría ser dañino si se ingiere o masca. Podría generar polvo que contiene plomo. Lavarse bien las manos después de usar. Mantener fuera del alcance de los niños.



ADVERTENCIA: Este producto puede exponerle a compuestos químicos incluyendo Plomo y Di(2-etilhexilo)ftalato (DEHP), que el estado de California reconoce como causantes de cáncer, malformaciones congénitas u otros daños al sistema reproductivo. Para más información, visite www.P65Warnings.ca.gov.



ADVERTENCIA: Utilice equipos de seguridad. Siempre utilice protección ocular con escudos laterales al operar herramientas eléctricas. Debe utilizarse una máscara contra polvos, zapatos de seguridad antirresbalamiento, un casco o protección auditiva para las condiciones apropiadas.

GARANTÍA LIMITADA

QUÉ ES LO QUE CUBRE

El fabricante garantiza al comprador minorista original que este producto está libre de defectos de material y mano de obra, y acepta reparar o reemplazar, a discreción del fabricante, cualquier producto defectuoso sin cargo dentro de estos períodos de tiempo desde la fecha de la compra.

Esta garantía es válida por un (1) año si el producto se usa para fines personales, familiares o domésticos, y noventa (90) si se usa para cualquier otro fin, como comercial o alquiler.

Esta garantía se extiende solo al comprador minorista original y comienza en la fecha de compra minorista original.

Se reparará o reemplazará, a través de un proveedor de servicios autorizado sin costo por piezas o mano de obra, cualquier pieza del producto fabricada o suministrada por el fabricante y que el fabricante considere que tenga defectos de material o mano de obra.

El producto, incluida cualquier pieza defectuosa, se debe devolver a un proveedor de servicios autorizado dentro del período de garantía. El propietario se hará cargo de todos los gastos de transporte del producto al proveedor y de regreso por trabajos de garantía ya sea por reparación o reemplazo de piezas. La responsabilidad del fabricante respecto de reclamos se limita a realizar las reparaciones o reemplazos requeridos y ningún reclamo de violación de garantía será causa de cancelación o revocación del contrato de venta de cualquier producto del fabricante.

El proveedor necesitará el recibo de compra para validar cualquier reclamo de garantía. Solo un proveedor de servicio autorizado puede realizar trabajos de garantía.

QUÉ ES LO QUE NO CUBRE

Esta garantía no cubre ningún producto del fabricante que se haya usado incorrectamente, descuidado, desatendido, dañado o que se haya operado de cualquier manera que no cumpla con las instrucciones de funcionamiento especificadas en este manual. Esta garantía no aplica a daños al producto del fabricante que sean resultado de un mantenimiento inadecuado o a un producto del fabricante que se haya alterado o modificado. Esta garantía no se extiende a reparaciones necesarias por desgaste normal o por el uso de piezas o accesorios que sean incompatibles con el producto del fabricante o que afecten su funcionamiento, rendimiento o durabilidad.

El fabricante se reserva el derecho de cambiar o mejorar el diseño de cualquier producto sin asumir obligaciones de modificar algún producto fabricado previamente. Todas las garantías implícitas se limitan al período de garantía estipulado. Por lo tanto, cualquier garantía implícita incluida comerciabilidad, idoneidad para un fin específico, o cualquier otra, queda sin efecto en su totalidad después de vencido el plazo de la garantía correspondiente de dos años o noventa días. La obligación del fabricante respecto de esta garantía se limita estricta y exclusivamente a la reparación o reemplazo de piezas defectuosas y el fabricante no asume o autoriza a nadie a asumir cualquier otra obligación en su nombre. Algunos estados no permiten la limitación en la duración de una garantía implícita, de manera que la limitación anterior podría no aplicarse a su caso. El fabricante no asume responsabilidad por daños incidentales, consecuentes u otros incluidos, entre otros, gastos de transporte del producto al proveedor de servicios autorizado y de regreso al propietario, tiempo de viaje del mecánico, gastos de teléfono o telegrama, alquiler de un producto similar durante el tiempo en que se realizan los trabajos de garantía, viaje, pérdida o daño de propiedad personal, pérdida de ingresos, pérdida de uso del producto, pérdida de tiempo o inconveniencia. Algunos estados no permiten la exclusión o la limitación de daños resultantes o incidentales, de manera que es posible que la limitación o exclusión antedicha no se aplique en su caso.

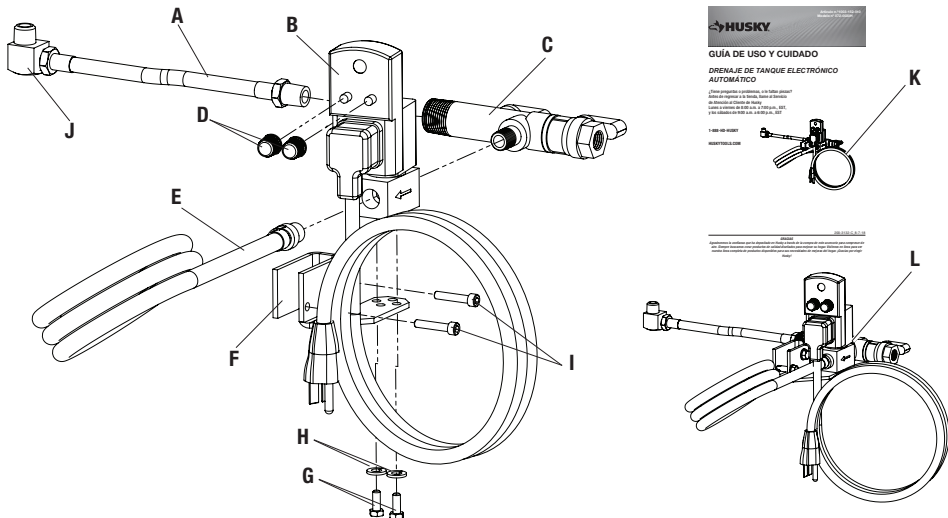
Esta garantía le brinda derechos legales específicos y quizás usted tenga otros derechos que varían según el estado.

Póngase en contacto con el Equipo de Atención al Cliente al 1-888-HD-HUSKY o visite www.huskytools.com.

Antes de la instalación

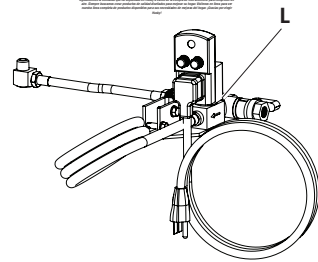
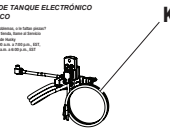
ESPECIFICACIONES

Tiempo de ciclo	0.5 - 45 minutos
Tiempo de descarga	0.5 - 10 segundos
Tensión de alimentación	24-240V~, 50/60Hz
Clasificación eléctrica	24-240V~, 50/60Hz, 0.2A
Protección ambiental	Nema 4
Temperatura de funcionamiento	33 °F - 140 °F
Presión máxima	230 PSI
Tamaño del orificio	3/16 pulg.



GUÍA DE USO Y CUIDADO
DRENAJE DE TANQUE ELECTRÓNICO
AUTOMÁTICO

¡Este producto contiene un filtro de carbón activo!
¡Este producto es un dispositivo de seguridad!
Este sistema de DDT es un producto de 100% de aluminio.
1-800-95-8827
HUSKYTOOLS.COM



Pieza	Descripción	Cant.	Pieza	Descripción	Cant.
A	Tubo de drenaje flexible	1	G	Tornillos, #10-32 x 1/2 pulg.	2
B	Conjunto del drenaje del tanque electrónico	1	H	Arandelas de seguridad, #10	2
C	Válvula de bola con filtro	1	I	Tornillo de cabeza hueca hexagonal, 1/4-20 x 1 pulg.	2
D	Capuchones	2	J	Codo	1
E	Conjunto de manguera de drenaje	1	K	Guía de uso y cuidado	1
F	Soporte de montaje universal	1	L	Drenaje de tanque ensamblado completo	1



NOTA: Las herramientas no se muestran en su tamaño real.

HERRAMIENTAS REQUERIDAS



Llave ajustable



Cinta selladora de roscas (Incluida)



Lentes protectores



3/16 pulg. Llave Allen

1 Instalación del drenaje de tanque electrónico automático



PELIGRO: Este producto está diseñado específicamente para aire comprimido.



ADVERTENCIA: Siempre debe APAGAR el compresor, desconectarlo de la fuente de alimentación y drenar toda la presión del sistema antes de dar servicio.



ADVERTENCIA: RIESGO DE LESIÓN; NO instale el tanque de drenaje electrónico hasta que se haya drenado toda la presión del tanque y desconectado la alimentación de la unidad.



NOTA: No permita que la condensación se congele en el tanque y la válvula de drenaje.

NOTA: Estos productos están diseñados específicamente para aire comprimido.

NOTA: Elimine la condensación de acuerdo con las directrices locales, estatales o federales.

- Comience por atornillar los dos tornillos (I) en el soporte (F).
- Instale el soporte (F) en la parte inferior del conjunto de drenaje de tanque automático electrónico (B) con arandelas (H) y tornillos (G). Ajuste con una llave ajustable.
- Quite la llave de purga existente de la parte inferior del tanque con una llave ajustable.



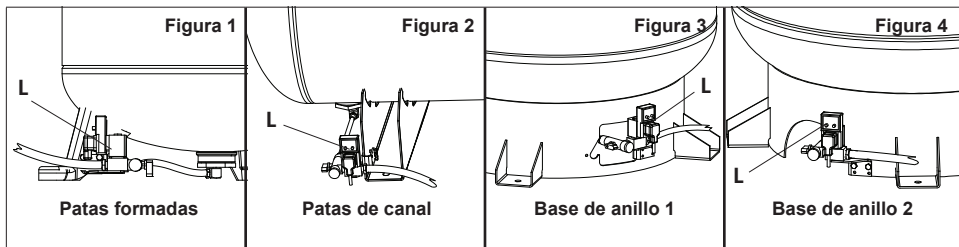
PRECAUCIÓN: Asegúrese de drenar el sistema de aire a cero "0" antes de quitar la llave de purga y de instalar el tubo de drenaje flexible.



NOTA: Use sellador de rosca o Teflon® en todas las roscas macho.

- Instale el extremo del codo del tubo de drenaje flexible (J) en la parte inferior del tanque. Ajuste con una llave ajustable.
- Coloque la válvula de bola con filtro (C) en la parte posterior del conjunto de drenaje de tanque automático electrónico (B). Ajuste con una llave ajustable.
- Coloque el extremo giratorio recto del tubo de drenaje flexible (A) en el extremo de la válvula de bola con filtro (C). Ajuste con una llave ajustable.
- Coloque el conjunto de manguera de drenaje (E) en el conjunto de drenaje automático electrónico (B). Ajuste con una llave ajustable.
- Coloque el soporte (F) del conjunto del soporte (L) en la parte inferior del tanque de acuerdo con los ejemplos de las figuras 1-4. Ajuste los tornillos de forma segura con una llave Allen de 3/16 pulg.
- Proporcione la tensión de alimentación eléctrica correcta al drenaje de tanque automático electrónico.

INSTALACIÓN TÍPICA



1 Uso del drenaje de tanque electrónico automático



ADVERTENCIA: No utilice el drenaje de tanque electrónico automático fuera de los siguientes rangos de presión y temperatura.

Presión máxima	230 PSI
Temperatura del aire comprimido	33 a 265 °F
Temperatura ambiente	33 a 140 °F

- Abra la válvula de bola con filtro (consulte la figura 5).
- Ajuste las perillas "time off" (tiempo de apagado) y "time on" (tiempo de encendido) parte delantera del conjunto de drenaje automático electrónico (B) (consulte la sección Ajuste del tiempo).
- Durante el funcionamiento del compresor, verifique si hay fugas de aire.

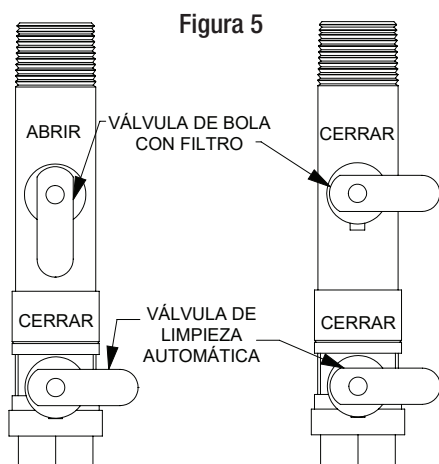


Figura 5

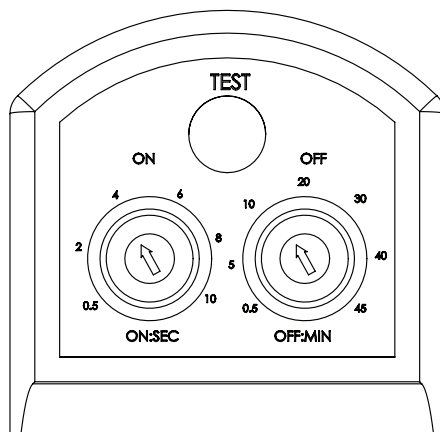
2 Ajuste del temporizador

- Para ajustar las perillas del temporizador, primero quite los capuchones (D) del frente del temporizador.
- El ajuste "time off" (tiempo de apagado) determina el intervalo entre ciclos de 30 segundos a 45 minutos. El ajuste "time on" (tiempo de encendido) determina el tiempo real en que el compresor drena la condensación (0.5 segundos a 10 segundos) del puerto de salida de condensación de 1/4 pulg. o 1/2 pulg.
- El ritmo del ciclo del temporizador y el tiempo de apertura del drenaje se deben ajustar para que se abra lo justo y necesario para descargar la condensación. El temporizador está bien ajustado cuando se abre y descarga la condensación y luego ventila aire por aproximadamente un segundo antes de cerrarse. Los ajustes se pueden realizar en función de varios factores, incluidos humedad y ciclo de servicio.
- Para verificar el ajuste "time on" (tiempo de encendido) a fin de ver si está drenando lo suficiente, presione el botón "TEST" (prueba). El compresor drenará la condensación el tiempo especificado. Cambie el ajuste "time on" (tiempo de encendido) según corresponda.
- Vuelva a colocar los capuchones (D) en las perillas del temporizador cuando lo haya ajustado.



NOTA: La luz "OFF" (apagado) debe estar encendida, lo que muestra que el temporizador está funcionando. El único momento en que la luz "ON" (encendido) se encenderá es cuando se esté drenando la condensación o esté presionado el botón "TEST" (prueba).

Figura 6



Mantenimiento

1 Mantenimiento y limpieza del drenaje de tanque automático electrónico



NOTA: El siguiente programa de mantenimiento se desarrolló para aplicaciones típicas. Los intervalos de mantenimiento se deben acortar en ambientes más severos.

Diariamente	Pruebe el funcionamiento correcto de la válvula de bola con filtro. Utilice la válvula de limpieza automática de ser necesario.
Mensualmente (cada 30 días)	Gire la válvula de limpieza automática a la posición abierta por 1 o 2 segundos y luego a la posición cerrada.



PRECAUCIÓN: Siempre use gafas de seguridad aprobadas por ANSI X87.1 al dar mantenimiento. La presión alta puede proyectar desechos voladores y causar lesiones.

Para limpiar el conjunto de válvula de bola con filtro:

- Gire la válvula de limpieza automática a la posición "OPEN" (abierta) por 1 o 2 segundos. Esto despejará cualquier desecho que pueda haber en la válvula.
- Gire la válvula de limpieza automática a la posición "CLOSED" (cerrada).

Resolución de problemas

1 Resolución de problemas



ADVERTENCIA: Siempre debe APAGAR el compresor, desconectarlo de la fuente de alimentación y drenar toda la presión del sistema antes de dar servicio.

Resolución de problemas

Problema	Causa posible	Solución
La válvula no se cierra.	Hay desechos en la válvula de limpieza automática.	Limpie la válvula (consulte "Mantenimiento").
	Cortocircuito en un componente eléctrico.	Verifique la conexión correcta del cable de alimentación.
El temporizador no se activa.	No hay alimentación eléctrica.	Conecte la alimentación.
	Puerto obstruido.	Limpie la válvula (consulte "Mantenimiento").
	Válvula de bola con filtro obstruida.	Limpie la válvula (consulte "Mantenimiento").
La condensación no se descarga.	El filtro de la válvula de bola con filtro puede estar obstruido.	Limpie la válvula (consulte "Mantenimiento").



¿Preguntas, problemas, piezas que faltan? Antes de regresar a la tienda, llame al

Servicio de Atención al Cliente de Husky

Lunes a viernes, de 8:00 a 19:00 hs (hora del Este)

Sábados de 9:00 a 18:00 hs (hora del Este)

1-888-HD-HUSKY

HUSKYTOOLS.COM

Conserve este manual para su consulta futura.

Número de documento: 200-3128-C_8/7/18