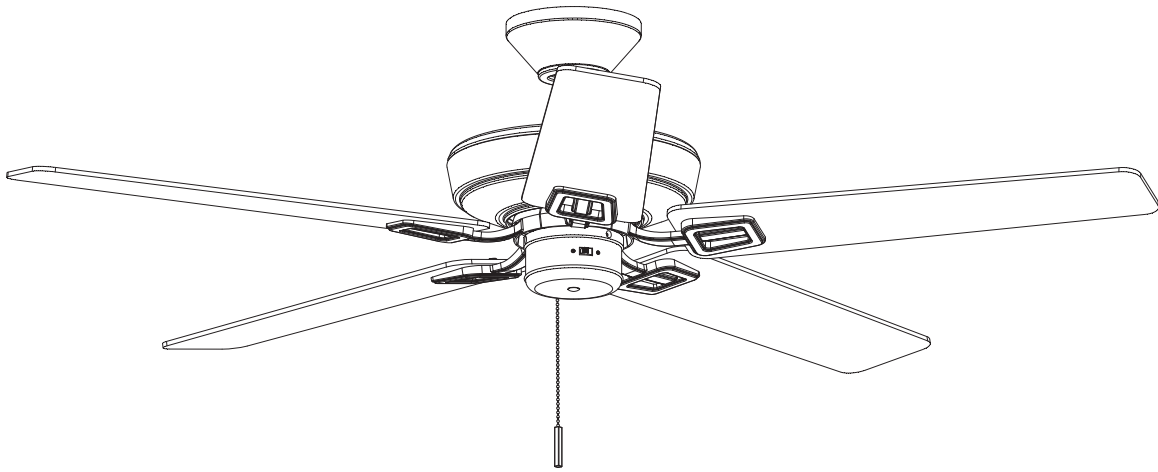


HAMPTON BAY[®]

USE AND CARE GUIDE

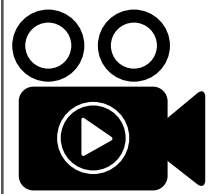
BAYFIELD 52-INCH CEILING FAN



Questions, problems, missing parts? Before returning to the store,
call Hampton Bay Customer Service
8 a.m. - 7 p.m., EST, Monday-Friday, 9 a.m. - 6 p.m., EST, Saturday

1-855-HD-HAMPTON

HAMPTONBAY.COM



To view an instructional video on how to install this product:

1. Go to www.homedepot.com and enter either the Item or Model number, found in the top right corner of the cover of this instruction manual, in the search field.
2. Click on your product from the list of search results and click on the video link in the "Product Overview" section.

THANK YOU

We appreciate the trust and confidence you have placed in Hampton Bay through the purchase of this ceiling fan. We strive to continually create quality products designed to enhance your home. Visit us online to see our full line of products available for your home improvement needs.

Thank you for choosing Hampton Bay!

Table of Contents

Table of Contents	2	Assembly	7
Safety Information	2	Operation	12
Warranty	3	Care and Cleaning	13
Pre-Installation	3	Troubleshooting	13
Installation.....	6		

Safety Information

READ AND SAVE THESE INSTRUCTIONS.

1. All wiring must be in accordance with the National Electrical Code ANSI/NFPA 70 and local electrical codes. Electrical installation should be performed by a qualified licensed electrician.
2. The outlet box and support structure must be securely mounted and capable of reliably supporting 35 pounds (15.9 kg). Use only UL Listed outlet boxes marked "Acceptable for Fan Support of 35 pounds (15.9 kg) or less."
3. The fan must be mounted with a minimum of 7 ft (2.1 m) clearance from the trailing edge of the blades to the floor.
4. Do not operate the reversing switch while the fan blades are in motion. You must turn the fan off and stop the blades before you reverse the blade direction.
5. Do not place objects in the path of the blades.
6. After making electrical connections, spliced conductors should be turned upward and pushed carefully up into the outlet box. The wires should be spread apart with the grounded conductor and the equipment-grounding conductor on one side of the outlet box and the ungrounded conductor on the other side of the outlet box.
7. All setscrews must be checked and retightened where necessary before installation.



WARNING: To reduce the risk of personal injury, do not bend the blade brackets (also referred to as flanges) during assembly or after installation. Do not insert objects in the path of the blades.



WARNING: Remove the rubber motor stops on the bottom of the fan before installing the blades or testing the motor.



WARNING: To reduce the risk of fire or electric shock, do not use this fan with any solid-state speed control device.



WARNING: To reduce the risk of fire, electric shock or personal injury, mount to outlet box marked "acceptable for fan support of 35 lbs (15.9 kg) or less" and use screws provided with the outlet box.



WARNING: To avoid possible electrical shock, turn the electricity off at the main fuse box before wiring. If you feel you do not have enough electrical wiring knowledge or experience, contact a licensed electrician.



CAUTION: To reduce the risk of personal injury, use only the screws provided with the outlet box.



CAUTION: To avoid personal injury or damage to the fan and other items, use caution when working around or cleaning the fan.

Warranty

The supplier warrants the fan motor to be free from defects in workmanship and material present at time of shipment from the factory for a lifetime after the date of purchase by the original purchaser. The supplier also warrants that all other fan parts, excluding any glass or acrylic blades, to be free from defects in workmanship and material at the time of shipment from the factory for a period of one year after the date of purchase by the original purchaser. We agree to correct such defects without charge or at our option replace with a comparable or superior model if the product is returned. To obtain warranty service, you must present a copy of the receipt as proof of purchase. All costs of removing and reinstalling the product are your responsibility. Damage to any part such as by accident or misuse or improper installation or by affixing any accessories, is not covered by this warranty. Because of varying climatic conditions this warranty does not cover any changes in brass finish, including rusting, pitting, corroding, tarnishing, or peeling. Brass finishes of this type give their longest useful life when protected from varying weather conditions. A certain amount of “wobble” is normal and should not be considered a defect. Servicing performed by unauthorized persons shall render the warranty invalid. There is no other express warranty. Hampton Bay hereby disclaims any and all warranties, including but not limited to those of merchantability and fitness for a particular purpose to the extent permitted by law. The duration of any implied warranty which cannot be disclaimed is limited to the time period as specified in the express warranty. Some states do not allow a limitation on how long an implied warranty lasts, so the above limitation may not apply to you. The retailer shall not be liable for incidental, consequential, or special damages arising out of or in connection with product use or performance except as may otherwise be accorded by law. Some states do not allow the exclusion of incidental or consequential damages, so the above exclusion or limitation may not apply to you. This warranty gives specific legal rights, and you may also have other rights which vary from state to state. This warranty supersedes all prior warranties. Shipping costs for any return of product as part of a claim on the warranty must be paid by the customer.

Contact the Customer Service Team at 1-855-HD-HAMPTON or visit www.HamptonBay.com.

Pre-Installation

SPECIFICATIONS

Size	Speed	Volts	Amps	Watts	RPM	CFM	Net Weight	Gross Weight	Cubic Feet
52 in.	Low	120	0.21	11.98	75	2563	12.80 lbs (5.8 kgs)	16.50 lbs (7.5 kgs)	1.45 ft ³
	Medium		0.30	24.12	107	3312			
	High		0.43	51.03	151	4430			



NOTE: These are approximate measures. They do not include the Amps and Wattage used by the light kit.



TOOLS REQUIRED



Phillips
screwdriver



Flat blade
screwdriver



Adjustable
wrench



Electrical
tape



Wire
cutter



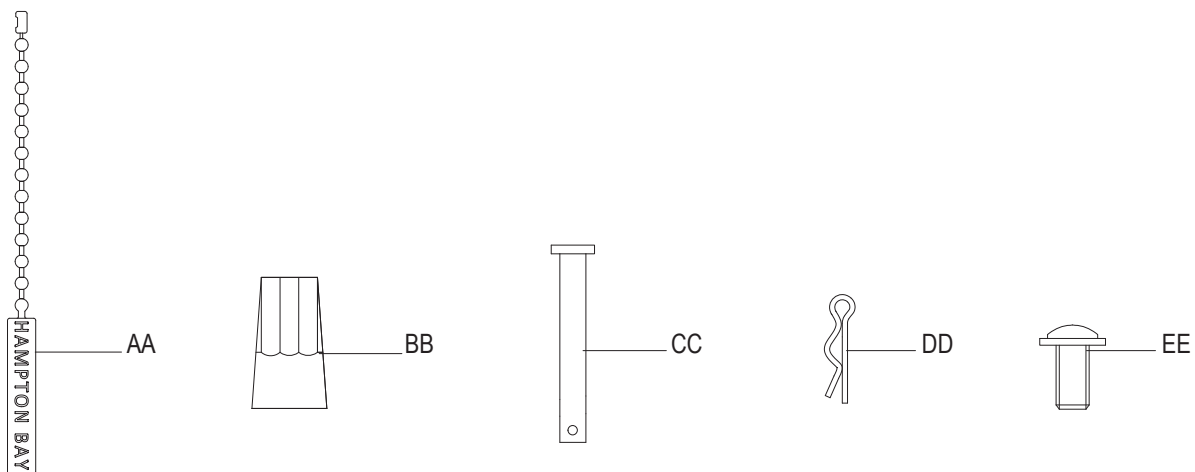
Step ladder

Pre-Installation (continued)

HARDWARE INCLUDED



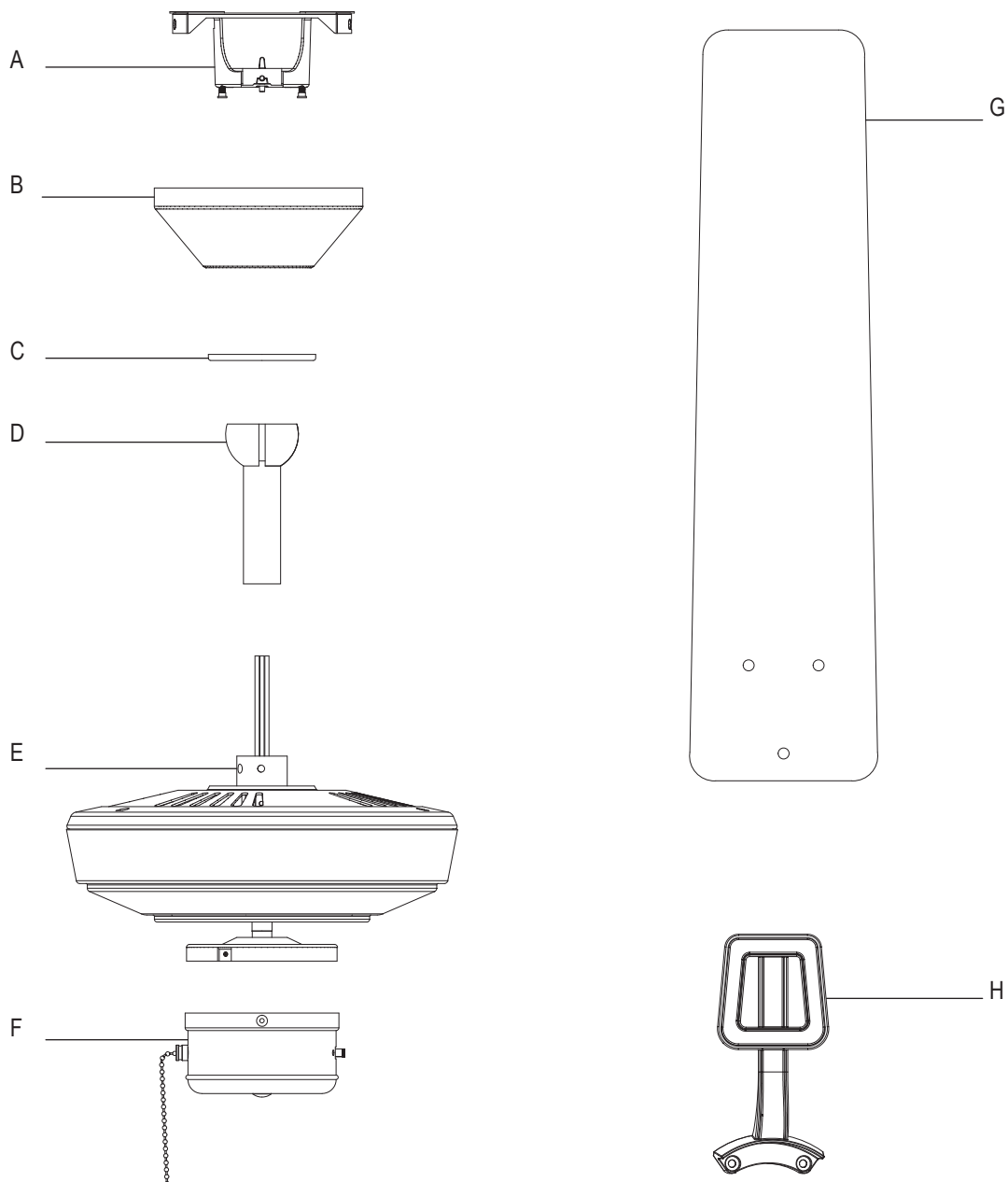
NOTE: Hardware not shown to actual size.



Part	Description	Quantity
AA	Pull chain	1
BB	Plastic wire connectors	3
CC	Hanger pin	1
DD	Locking pin	1
EE	Blade attachment screws	15

Pre-Installation (continued)

PACKAGE CONTENTS



Part	Description	Quantity
A	Slide-on mounting bracket (inside canopy)	1
B	Canopy	1
C	Canopy bottom cover	1
D	Ball/downrod assembly	1

Part	Description	Quantity
E	Fan-motor assembly	1
F	Switch cup	1
G	Blade	5
H	Blade bracket	5



IMPORTANT: This product and/or components are governed by one or more of the following U.S. Patents: 5,947,436; 5,988,580; 6,010,110; 6,046,416; 6,210,117 and other patents pending.

Installation

MOUNTING OPTIONS

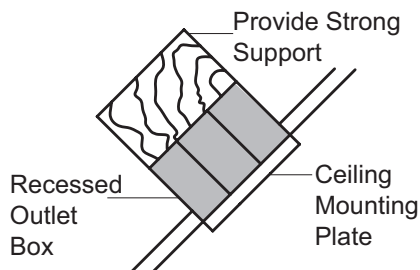
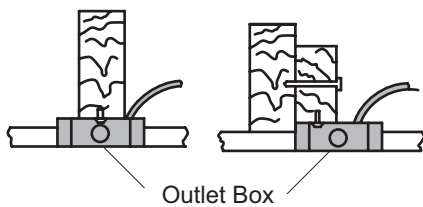
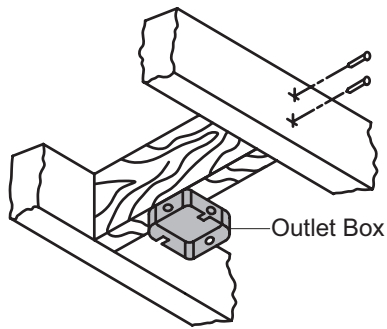


WARNING: To reduce the risk of fire, electric shock or personal injury, mount to outlet box marked "Acceptable for fan support of 35 lbs (15.9 kg) or less", and use screws provided with the outlet box. An outlet box commonly used for the support of lighting fixtures may not be acceptable for fan support and may need to be replaced. If in doubt, consult a qualified electrician.

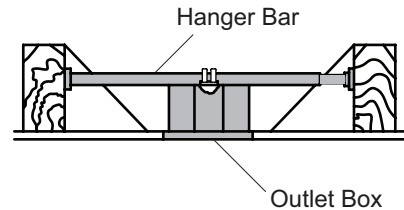
If your ceiling fan does not have an existing UL-listed mounting box, then install one using the following instructions:

- Disconnect the power by removing the fuses or turning off the circuit breakers.
- Secure the outlet box directly to the building structure. Use the appropriate fasteners and materials. The outlet box and its bracing must be able to fully support the weight of the moving fan (at least 35 lbs). Do not use a plastic outlet box.

The illustrations below show three different ways to mount the outlet box.



NOTE: You may need a longer downrod to maintain proper blade clearance when installing on a steep, sloped ceiling. The maximum angle allowable is 30° away from horizontal.



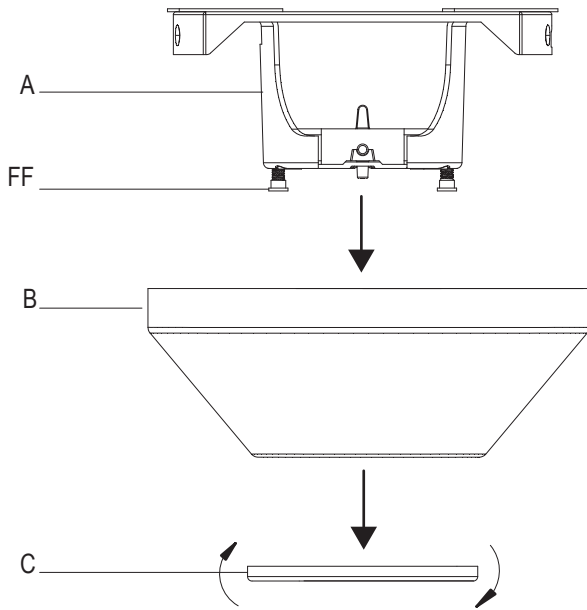
If the canopy touches the downrod, then remove the canopy bottom cover, and turn the canopy 180° before attaching the canopy to the mounting plate.

To hang your fan where there is an existing fixture but no ceiling joist, you may need an installation hanger bar as shown above (available at any Home Depot store).

Assembly - Standard Ceiling Mount

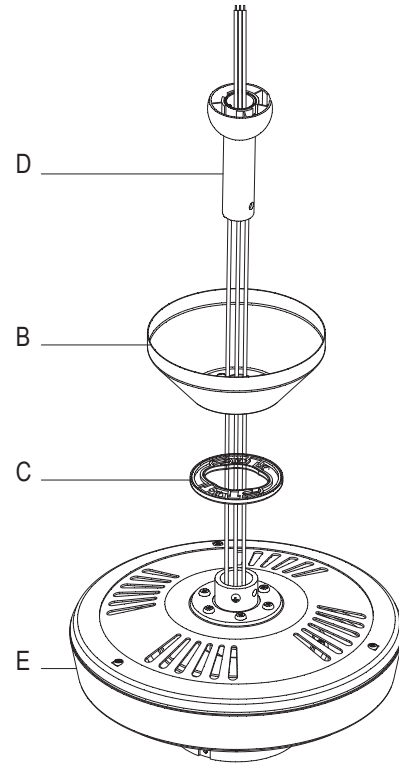
1 Preparing for mounting

- Remove the canopy cover (C) from the canopy (B) by turning the bottom cover (C) counterclockwise until it unlocks.
- Loosen the two canopy screws (FF) located in the bottom of the mounting bracket (A), and turn the canopy counterclockwise to remove the mounting bracket (A) from the canopy (B).



2 Routing the wires

- Route the wires exiting the top of the fan motor (E), through the canopy bottom cover (C).
- Make sure the slot openings are on top and route the wires through the canopy (B) and then through the ball/downrod assembly (D).

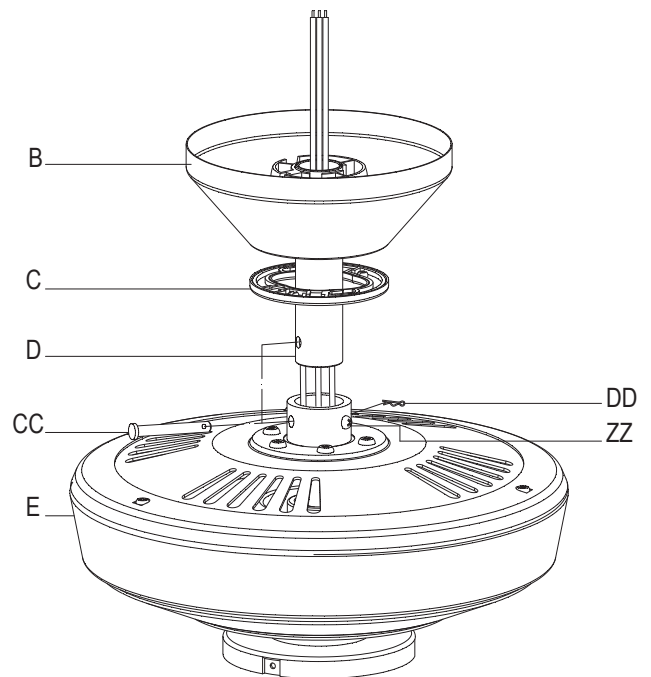


3 Assembling the fan



WARNING: Failure to properly install the locking pin could result in the fan becoming loose and possibly falling.

- Loosen, but do not remove, the two (2) setscrews (ZZ) on the collar on top of the motor housing (E).
- Align the holes at the bottom of the downrod (D) with the holes in the collar on top of the motor housing (E).
- Carefully insert the hanger pin (CC) through the holes in the collar and downrod (D). Be careful not to jam the hanger pin (CC) against the wiring inside the downrod (D).
- Insert the locking pin (DD) through the hole near the end of the hanger pin (CC) until it snaps into its locked position.
- Re-tighten the two (2) setscrews (ZZ) on the collar on top of the motor housing (E).



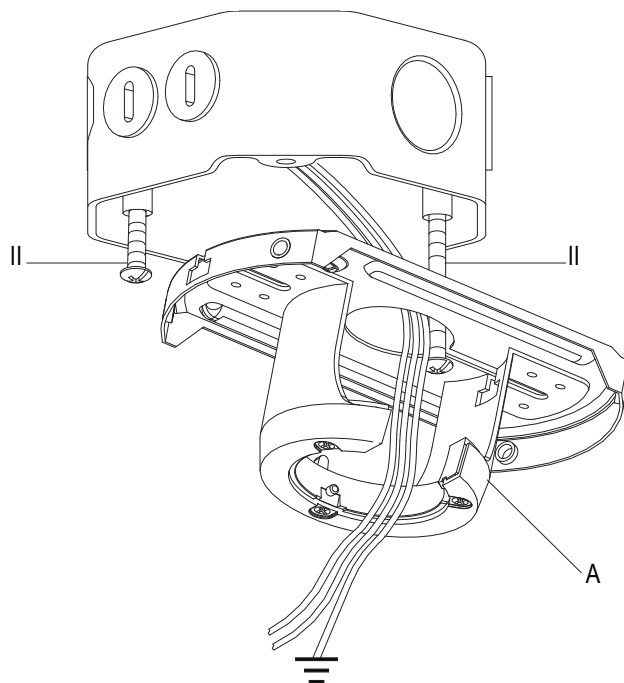
Assembly - Hanging the Fan

1 Attaching the fan to the electrical box



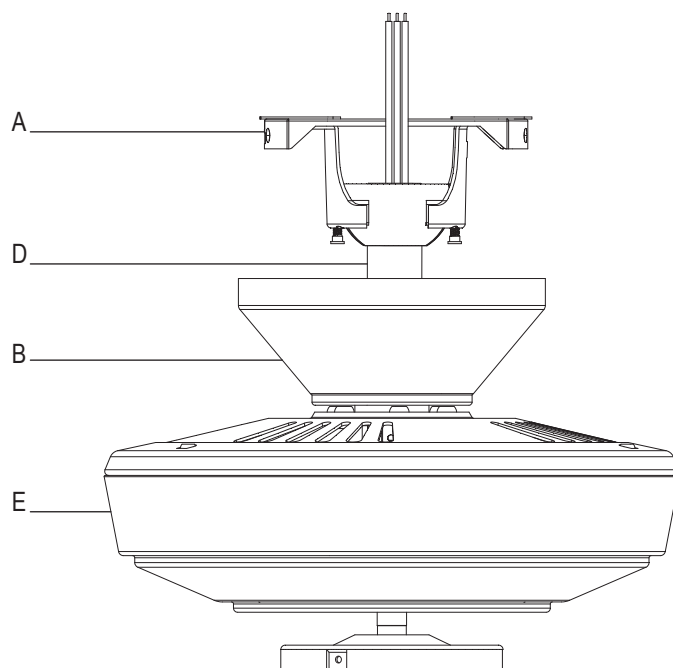
WARNING: To reduce the risk of fire, electric shock or personal injury, mount to outlet box marked "Acceptable for fan support of 35 lbs (15.9 kg) or less", and use screws provided with the outlet box.

- Pass the 120-Volt supply wires through the center hole in the mounting bracket (A).
- Install the ceiling mounting bracket on the outlet box by sliding the mounting bracket (A) over the two screws (II) provided with the outlet box. If necessary, use leveling washers (not included) between the mounting bracket (A) and the outlet box. Note that the flat side of the mounting bracket (A) is toward the outlet box. When using close-to-ceiling mounting, it is important that the mounting bracket be level.
- Securely tighten the two mounting screws (II).



2 Hanging the fan

- Carefully lift the fan-motor assembly (E) up to the slide-on mounting bracket (A).
- Insert the ball portion of the ball/downrod assembly (D) into the socket of the slide-on mounting bracket (A).
- Turn the ball/downrod assembly clockwise until it is seated with the tab of the slide-on mounting bracket aligned with the slot in the ball.



Assembly - Hanging the Fan (continued)

3 Making the electrical connection



WARNING: Remove the rubber motor stops on the bottom of the fan before installing the blades or testing the motor.

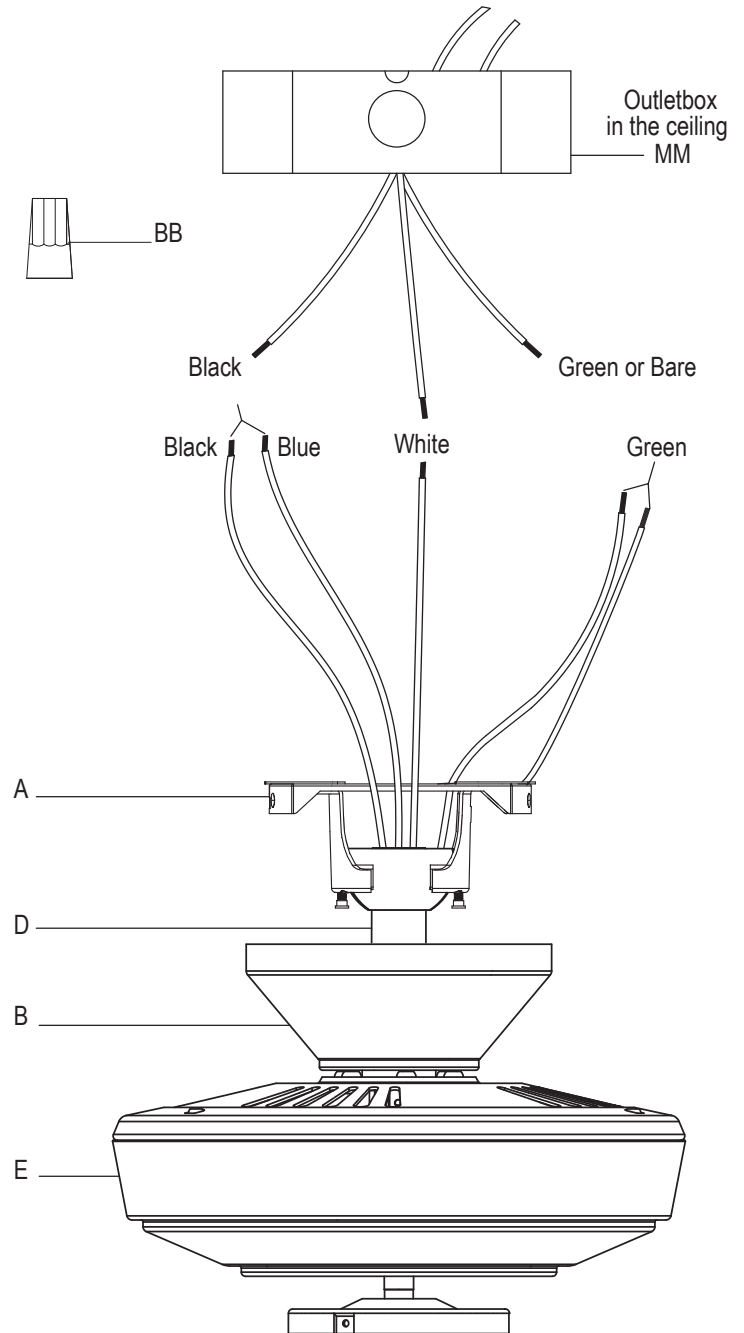


IMPORTANT: Use the wire connecting nuts (BB) supplied with your fan. Secure the connectors with electrical tape and ensure there are no loose strands or connections.



NOTE: The fan comes with 54 in. lead wires for use with an extended ball/downrod assembly. If using the 4.5 in. ball/downrod assembly (D) provided, you can cut the lead wires to your desired length (no shorter than 12 in.).

- The fan comes with 54 in. lead wires for use with an extended ball/downrod assembly. If using the 4.5 in. ball/downrod assembly (D) provided, you can cut the lead wires to your desired length (no shorter than 12 in.) This will make extra room in the canopy (B), if you do not wish to cut the wires, you will need to neatly wrap them.
- Connect the ground conductor of the 120-Volt supply (this may be a bare wire or a wire with green colored insulation) to the green ground lead(s) of the fan. There are two green grounding leads; one from the ceiling mounting bracket and one from the ball/downrod assembly.
- Connect the fan motor white wire to the household white wire using a wire connecting nut (BB).
- Connect the fan motor black and blue wires to the household black wire using a wire connecting nut (BB).
- Secure each wire connecting nut using electrical tape.
- Turn the wire connecting nut (BB) upward and push the wiring into the outlet box (MM).



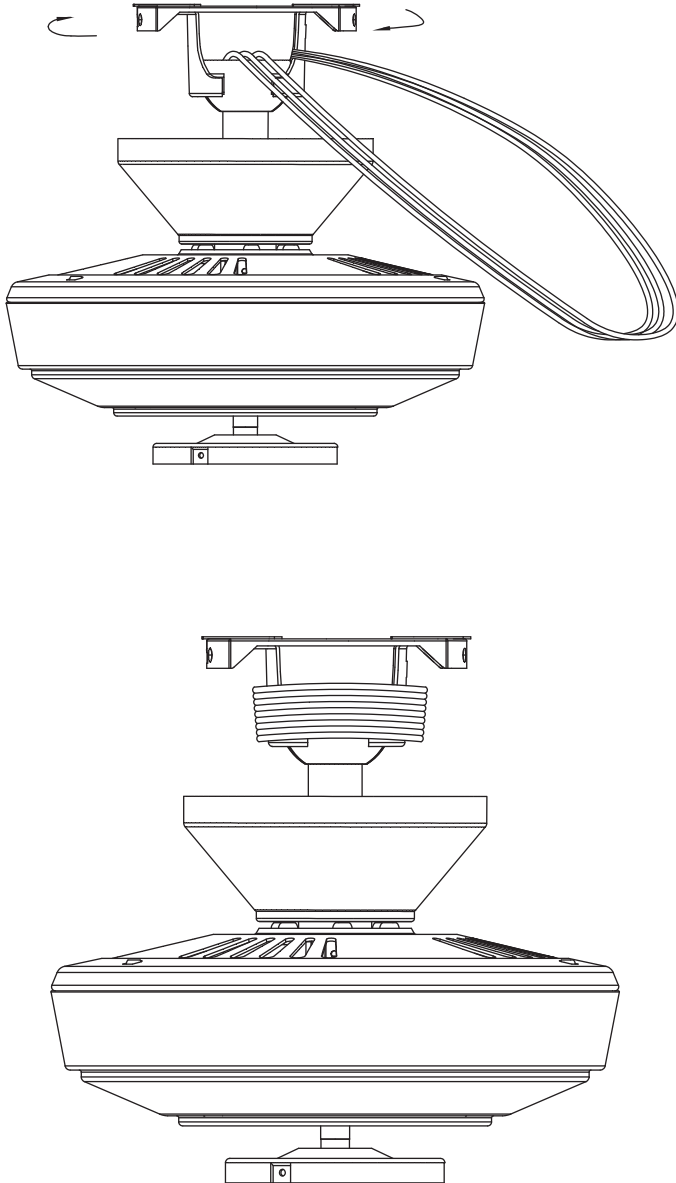
Assembly - Hanging the Fan (continued)

4 Wrapping the extra wire



NOTE: Follow this step **ONLY** if you did not cut the extra length off from the wires coming from the ceiling fan.

- Gently wrap the excess wire around the mounting bracket.
- Secure with electrical tape.



5 Mounting the fan-motor assembly

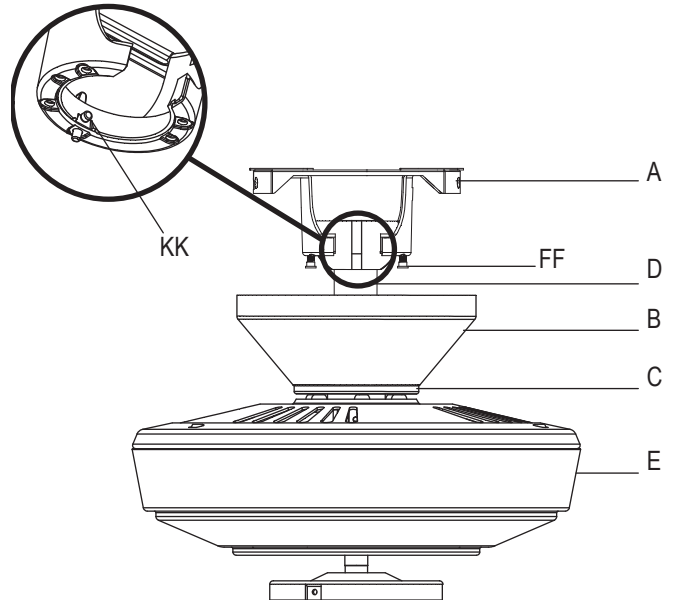


WARNING: When using the standard ball/downrod mounting, the tab in the ring at the bottom of the mounting bracket must rest in the groove of the hanger ball. Failure to properly seat the tab in the groove could cause damage to the wiring.



WARNING: The locking slots of ceiling canopy are provided only as an aid to mounting. Do not leave the fan assembly unattended until all four canopy screws are engaged and firmly tightened.

- Align the locking slots of the canopy (B) with the two screws (FF) and alignment post (KK) in the mounting bracket (A).
- Push up the canopy (B) and turn clockwise until the alignment post (KK) engages to the round hole and the screws (FF) engage to the key slots.
- Firmly tighten the two mounting screws (FF).
- Install the decorative bottom cover (C) by aligning the cover slots with screws in the bottom of the canopy (B). Rotate the bottom cover (C) clockwise to lock in place.



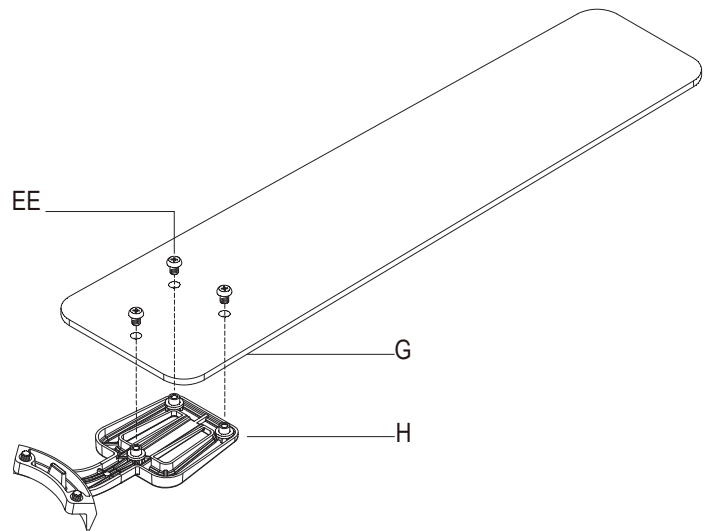
Assembly - Attaching the Fan Blades

6 Attaching the fan blades



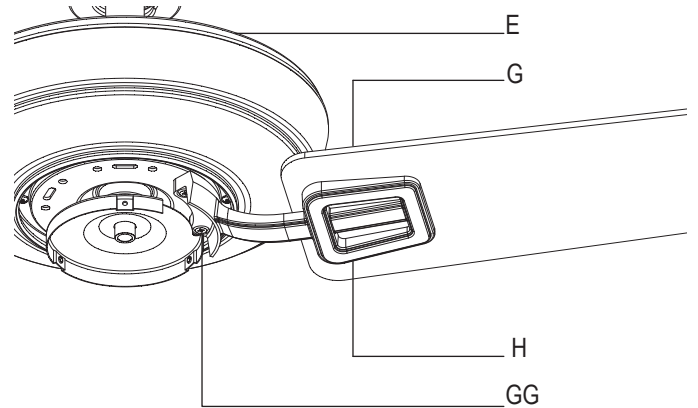
NOTE: Your fan blades are reversible. Select the blade side finish which best accentuates your decor.

- Attach a blade (G) to a blade bracket (H) using the screws (EE) provided. Please note that the rubber washers are pre-attached to the blade bracket (H). Insert a screw (EE) into the blade bracket (H). Repeat for the two remaining screws.
- Tighten each screw (EE) securely.
- Repeat for the remaining blades.



7 Attaching the blade brackets

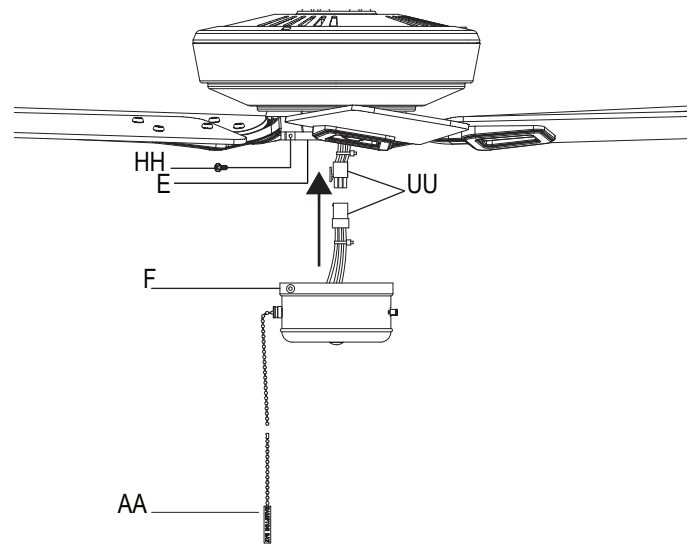
- Fasten the blade bracket (H) to the motor (E) by inserting the alignment post into the slot on the bottom of the fan-motor assembly (E) and tightening the motor screws (GG) that are pre-assembled to the blade bracket (H).
- Repeat for the remaining four blade brackets (H).



Assembly - Attaching the Switch Cup

1 Attaching the switch cup

- Remove the three screws (HH) from the black bracket at the base of the fan motor assembly (E).
- Connect the adaptor plug from the switch cup (F) to the plug from the fan (UU).
- Align the three screw holes in the switch cup (F) with the three screw holes in the black bracket at the base of the fan.
- Position the switch cup (F) onto the black bracket and install the screws (HH) that were removed in the first step.
- Attach the pull chain extension (AA) provided to the fan pull chain.



Operation

Turn on the power and check the operation of the fan. The pull chain controls the fan speeds as follows:

1 pull - High, 2 pulls - Medium, 3 pulls - Low, 4 pulls - Off

The appropriate speed settings for warm or cool weather depends on factors such as the room size, ceiling height, and number of fans.

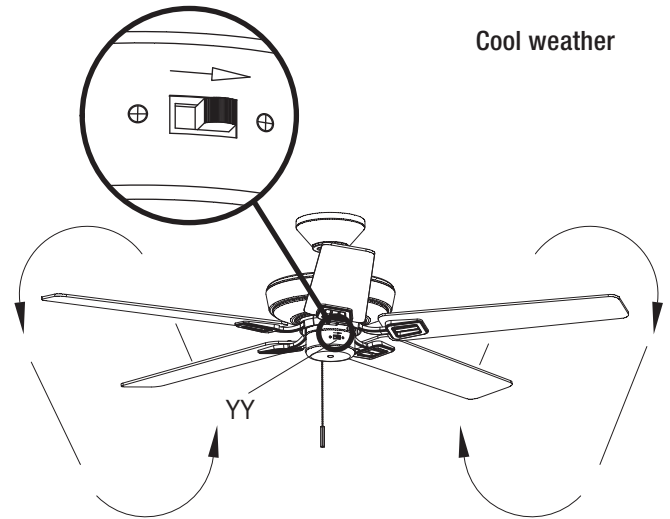
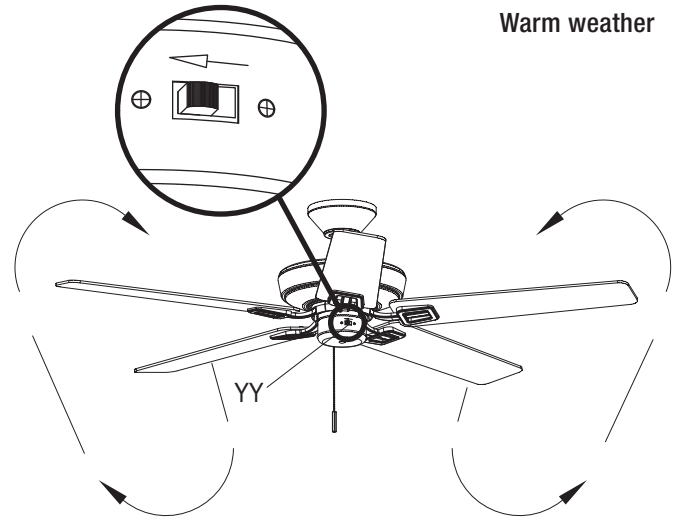
The slide switch (YY) controls the direction of the blades: forward (switch left) or reverse (switch right)



NOTE: Wait for the fan to stop before reversing the direction of blade rotation.

Warm weather - (Forward) A downward airflow creates a cooling effect. This allows you to set your air conditioner on a warmer setting without affecting your comfort.

Cool weather - (Reverse) An upward airflow moves warm air off of the ceiling. This allows you to set your heating unit on a cooler setting without affecting your comfort.



Care and Cleaning



WARNING: Make sure the power is off before cleaning your fan.

- Because of the fan's natural movement, some connections may become loose. Check the support connections, brackets, and blade attachments twice a year. Make sure they are secure. It is not necessary to remove the fan from the ceiling.
- Clean your fan periodically to help maintain its new appearance over the years. Do not use water when cleaning, as this could damage the motor, or the wood, or possibly cause an electrical shock. Use only a soft brush or lint-free cloth to avoid scratching the finish. The plating is sealed with a lacquer to minimize discoloration or tarnishing.
- You can apply a light coat of furniture polish to the wood for additional protection and enhanced beauty. Cover small scratches with a light application of shoe polish.
- You do not need to oil your fan. The motor has permanently-lubricated sealed ball bearings.

Troubleshooting

Problem	Solution
The fan will not start.	<ul style="list-style-type: none"><input type="checkbox"/> Check the main and branch circuit fuses or breakers.<input type="checkbox"/> Check the line wire connections to the fan and switch wire connections in the switch housing.
The fan is noisy.	<ul style="list-style-type: none"><input type="checkbox"/> Ensure all motor housing screws are snug.<input type="checkbox"/> Ensure the screws that attach the fan blade bracket to the motor hub are tight.<input type="checkbox"/> Ensure the wire nut connections are not rattling against each other or the interior wall of the switch housing.<input type="checkbox"/> Allow a 24-hour "breaking in" period. Most noises associated with a new fan disappear during this time.<input type="checkbox"/> If you are using the Ceiling Fan light kit, ensure the screws securing the glassware are tight. Check that the light bulbs are also secure.<input type="checkbox"/> Ensure the canopy is a short distance from the ceiling. It should not touch the ceiling.<input type="checkbox"/> Ensure your outlet box is secure and rubber isolator pads were used between the mounting plate and outlet box.
The fan wobbles.	<ul style="list-style-type: none"><input type="checkbox"/> Check that all blade and blade arm screws are secure.<input type="checkbox"/> Most fan wobble problems are caused when blade levels are unequal. Check this level by selecting a point on the ceiling above the tip of one of the blades. Measure from a point on the center of the blade to the point on the ceiling. Rotate the fan until the next blade is positioned for measurement, and measure from the same point on each blade to the ceiling. Repeat for each blade. Any measurement deviation should be within 1/8 in. Run the fan for ten minutes. If the fan continues to wobble please contact Home Depot Customer Service and a balancing kit will be sent to you at no charge.

HAMPTON BAY[®]

Questions, problems, missing parts? Before returning to the store,
call Hampton Bay Customer Service
8 a.m. - 7 p.m., EST, Monday-Friday, 9 a.m. - 6 p.m., EST, Saturday

1-855-HD-HAMPTON

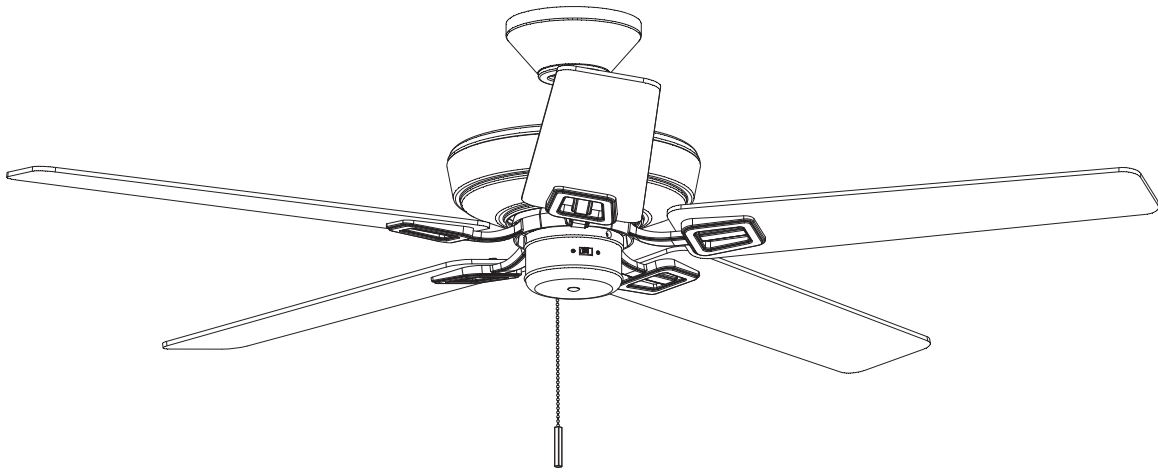
HAMPTONBAY.COM

Retain this manual for future use.

HAMPTON BAY[®]

GUÍA DE USO Y MANTENIMIENTO

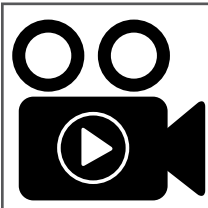
VENTILADOR DE TECHO BAYFIELD DE 1.3 M



¿Preguntas, problemas, piezas faltantes? Antes de devolverlo a la tienda,
llamar al Servicio al Cliente de Hampton Bay
de lunes a viernes, entre 8:00 a.m. a 7:00 p.m. (hora del Este),
y los sábados de 9:00 a.m. a 6:00 p.m. (hora del Este)

1-855-HD-HAMPTON

HAMPTONBAY.COM



To view an instructional video on how to install this product:

1. Go to www.homedepot.com and enter either the Item or Model number, found in the top right corner of the cover of this instruction manual, in the search field.
2. Click on your product from the list of search results and click on the video link in the "Product Overview" section.

GRACIAS

Apreciamos la plena confianza que has depositado en Hampton Bay con la compra de este ventilador de techo. Nos esforzamos constantemente por crear productos de calidad diseñados para tu hogar. Visítanos por Internet para ver nuestra línea completa de productos disponibles a fin de satisfacer tus necesidades de mejoras del hogar.

¡Gracias por elegir Hampton Bay!

Tabla de contenido

Tabla de contenido	2	Ensamblaje.....	7
Información de seguridad.....	2	Operación.....	12
Garantía	3	Mantenimiento y limpieza.....	13
Preinstalación	3	Solución de problemas	13
Instalación.....	6		

Información de seguridad

LEE Y GUARDA ESTAS INSTRUCCIONES.

1. Todo el cableado tiene que cumplir con el Código Nacional de Electricidad ANSI/NFPA 70 y con los códigos eléctricos locales. La instalación eléctrica debe hacerse por un electricista con licencia y calificado.
2. La caja eléctrica y estructura de soporte tienen que montarse de forma segura para poder sostener con confianza 35 lb (15.9 kg). Usa solo cajas eléctricas aprobadas por UL y marcadas como "Apropiada para sostener ventiladores de 35 lb (15.9 kg) o menos".
3. El ventilador tiene que montarse con separación mínima de 7 pies (2.1 m) entre el borde trasero de las aspas y el piso.
4. No usar el interruptor de reversa mientras las aspas del ventilador estén en movimiento. Tienes que apagar el ventilador y detener las aspas antes de invertir su dirección de giro.
5. No coloques objetos en la trayectoria de las aspas.
6. Después de concluir las conexiones eléctricas, debes voltear los conductores empalmados hacia arriba y meterlos con cuidado en la caja eléctrica. Los cables deben estar separados con el cable a tierra y el conductor a tierra del equipo, hacia uno de los lados de la caja eléctrica y el conductor sin conexión a tierra en el otro lado de la caja eléctrica.
7. Antes de la instalación, todos los tornillos de fijación tienen que comprobarse y reajustarse donde sea necesario.



ADVERTENCIA: Para reducir el riesgo de lesiones, no dobles los soportes de las aspas (también llamados bridas) durante el ensamblaje o después de la instalación. No coloques objetos en la trayectoria de las aspas.



ADVERTENCIA: Retira los toques de goma del motor en la parte inferior del ventilador antes de instalar las aspas o probar el motor.



ADVERTENCIA: Para disminuir el riesgo de incendio o descarga eléctrica, no utilices este ventilador con ningún dispositivo de control de velocidad de estado sólido.



ADVERTENCIA: Para reducir el riesgo de incendio, descarga eléctrica u otras lesiones, instala solo en una caja eléctrica clasificada como "Apropiada para sostener ventiladores de 35 lb (15.9 kg) o menos" y usa solamente los tornillos incluidos con esta.



ADVERTENCIA: Para evitar una posible descarga eléctrica, corta la energía eléctrica en la caja principal de fusibles antes de instalar el cableado. Si crees que no tienes suficiente experiencia o conocimientos sobre cableado eléctrico, contacta a un electricista con licencia.



PRECAUCIÓN: Para reducir el riesgo de lesiones, usa sólo los tornillos incluidos con la caja eléctrica.



PRECAUCIÓN: Para evitar lesiones físicas o daños al ventilador y otros artículos, ten cuidado al limpiarlo o al trabajar cerca de él.

Garantía

El proveedor garantiza de por vida que el motor del ventilador no presenta defectos de fabricación ni de materiales al momento del envío desde la fábrica hasta después de la fecha de adquisición por el comprador original. El proveedor también garantiza, por un año a partir de la fecha de adquisición por el comprador original, que ninguna de las demás piezas del ventilador, excluyendo las aspas de vidrio o acrílico, presenta defectos de fabricación ni de materiales al momento del envío desde la fábrica. Si el producto es devuelto, aceptamos reparar sus defectos sin cargo alguno o, a nuestra discreción, reemplazarlo por modelo similar o superior. Para obtener servicio de garantía tiene que presentar una copia del recibo como comprobante de compra. Todos los costos de retiro y reinstalación del producto correrán por cuenta del cliente. No están cubiertos por esta garantía los daños a ninguna de las piezas como resultado de accidente, instalación o uso incorrectos, ni por fijación de cualquier accesorio. Puesto que las condiciones climáticas pueden variar, esta garantía no cubre ningún cambio del acabado en latón, como óxido, perforación, corrosión, manchas o descascaramiento. Este tipo de acabados en latón tiene una vida útil prolongada si se lo protege contra las condiciones climáticas cambiantes. Cierta "oscilación" es normal y no debe considerarse un defecto. Cualquier servicio prestado por personal no autorizado invalidará la garantía. No hay ninguna otra garantía expresa. Por este medio y en el alcance permitido por la ley, Hampton Bay queda exonerado de toda garantía, incluso, pero sin limitarse a ellas, aquellas de comercialización e idoneidad para un fin determinado. La duración de cualquier garantía implícita que no pueda negarse está limitada al período especificado en la garantía explícita. Algunos estados no permiten limitaciones sobre la duración de las garantías implícitas, así que es posible que la limitación anterior no se aplique en su caso. El minorista no será responsable por daños incidentales, emergentes ni especiales derivados del uso o funcionamiento del producto, excepto en los casos en los que la ley así lo disponga. Algunos estados no permiten excluir ni limitar daños directos o indirectos, así que es posible que la limitación o exclusión anterior no se aplique en este caso. Esta garantía otorga derechos legales especiales al cliente y es posible que también goce de otros derechos que pueden variar según el estado. Esta garantía sustituye a todas las garantías anteriores. Los costos de envío en cualquier devolución de productos como parte de un reclamo de garantía corren por cuenta del cliente.

Comuníquese con el equipo de servicio al cliente al teléfono 1-855-HD-HAMPTON o visite www.HamptonBay.com.

Preinstalación

ESPECIFICACIONES

Tamaño	Velocidad	Voltios	Amperios	Vatios	RPM	CFM (pies cúbicos por minuto)	Peso Neto	Peso Bruto	Pies cúbicos
1.32 m	Baja	120	0.21	11.98	75	2563	12.80 lb (5.8 Kg)	16.50 lb (7.5 Kg)	1.45 pies cúbicos
	Media		0.30	24.12	107	3312			
	Alta		0.43	51.03	151	4430			



NOTA: Estas medidas son aproximadas. No incluyen ni el amperaje ni el vataje consumido por el kit de luces.



HERRAMIENTAS NECESARIAS



Destornillador
Phillips



Destornillador
plano



Llave
ajustable



Cinta de
electricista



Cortacables



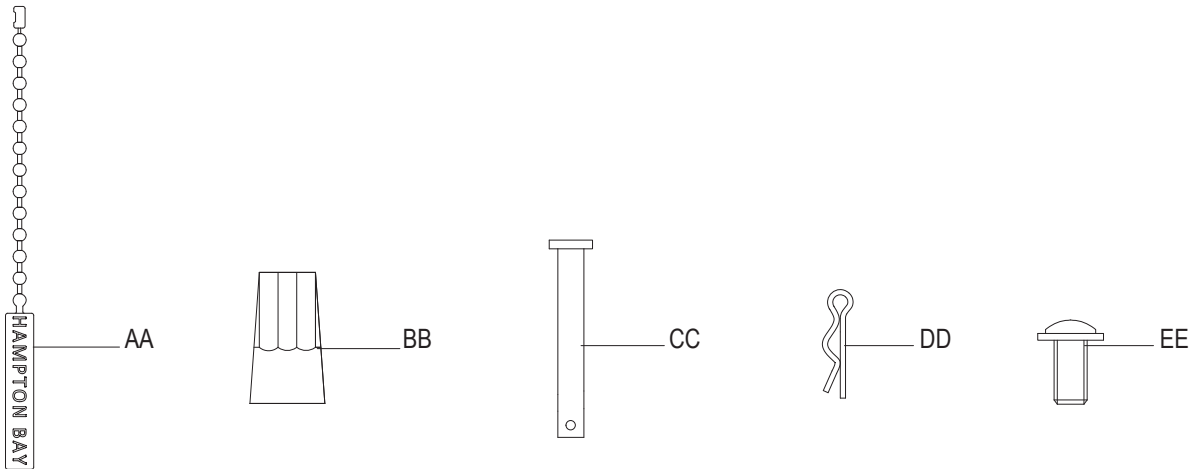
Escalera de tijera

Preinstalación (continuación)

HERRAJES INCLUIDOS



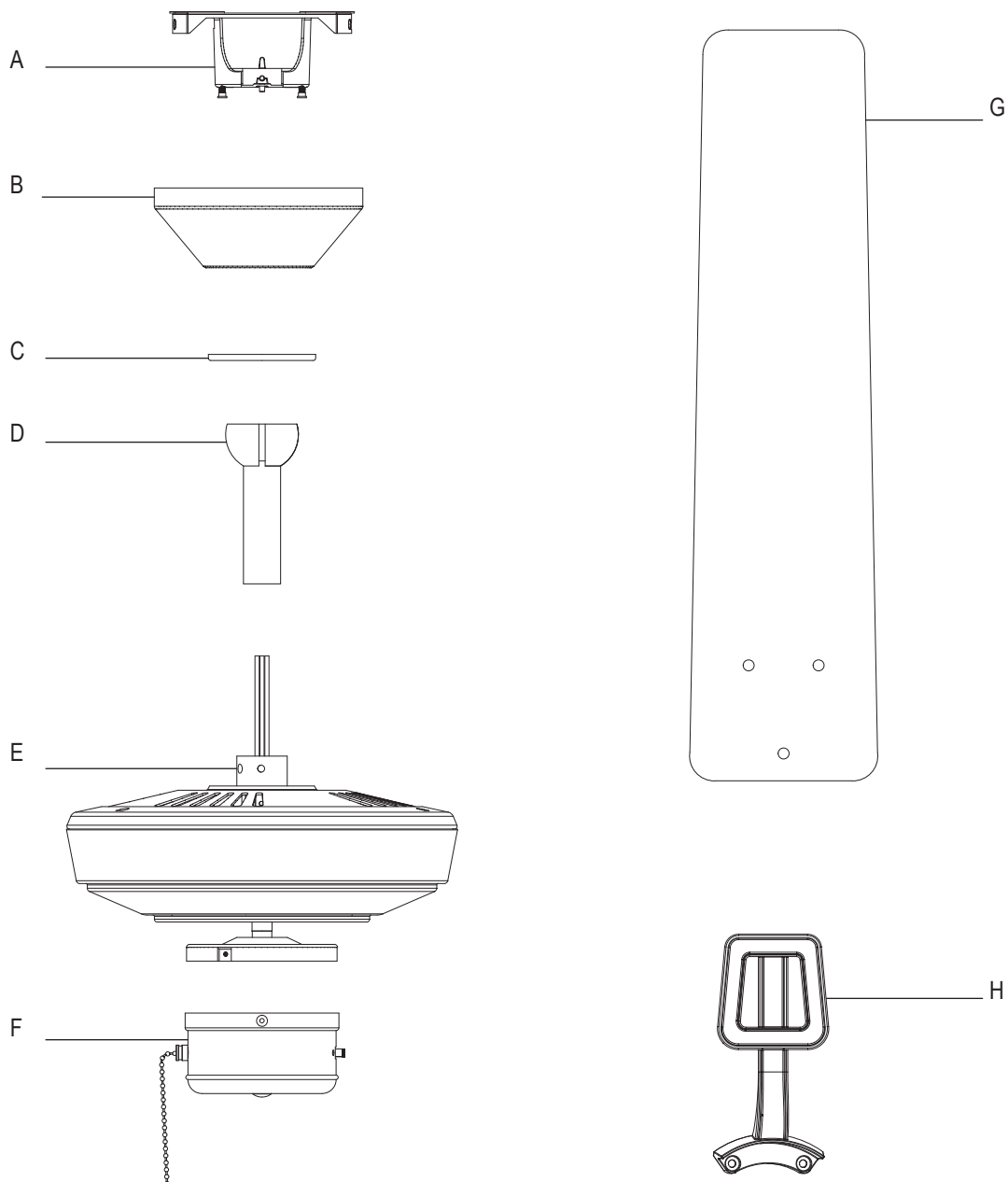
NOTA: No se muestra el tamaño real de los herrajes.



Pieza	Descripción	Cantidad
AA	Cadena para interruptor	1
BB	Conectores plásticos para cables	3
CC	Pasador de soporte	1
DD	Pasador de cierre	1
EE	Tornillos para fijar las aspas	15

Preinstalación (continuación)

CONTENIDO DEL PAQUETE



Pieza	Descripción	Cantidad
A	Soporte de montaje deslizante (dentro de la cubierta)	1
B	Cubierta	1
C	Tapa del fondo de la cubierta	1
D	Conjunto del tubo bajante/esfera	1

Pieza	Descripción	Cantidad
E	Conjunto motor-ventilador	1
F	Caja del interruptor	1
G	Aspa	5
H	Soporte de aspa	5



IMPORTANTE: Este producto o sus componentes están protegidos por una o más de las siguientes patentes de los EE. UU.: 5,947,436; 5,988,580; 6,010,110; 6,046,416, 6,210,117, así como otras patentes pendientes.

Instalación

OPCIONES DE MONTAJE

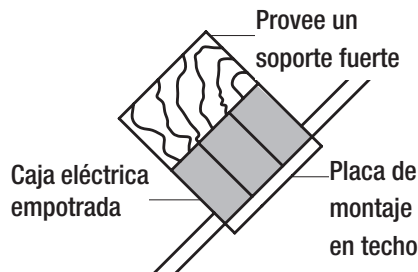
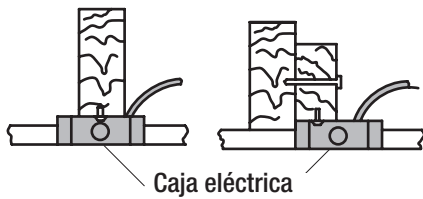
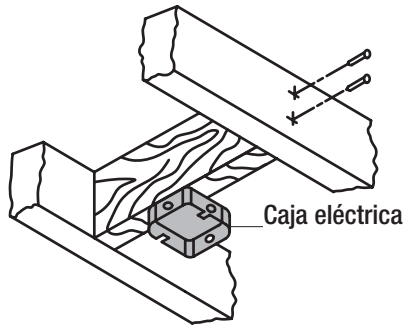


ADVERTENCIA: Para reducir el riesgo de incendio, descarga eléctrica o lesiones personales, instala solo en una caja eléctrica clasificada como "Apropiada para sostener ventiladores de 35 lb (15.9 kg) o menos" y usa los tornillos que vienen con ella. Las cajas eléctricas que suelen utilizarse para el soporte de lámparas pudieran no servir como soporte del ventilador y tal vez deban reemplazarse. En caso de duda, consulta a un electricista calificado.

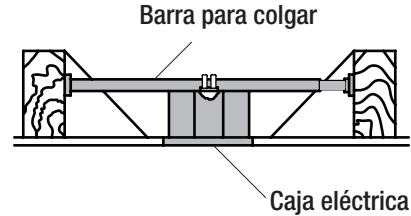
Si tu ventilador de techo no tiene una caja de montaje aprobada por UL, instala una conforme a las instrucciones siguientes:

- Desconecta la energía retirando los fusibles o apagando los cortacircuitos.
- Asegura la caja eléctrica directamente a la estructura de la edificación. Usa los sujetadores y materiales apropiados. La caja eléctrica y su soporte tienen que ser aptos para sostener completamente el peso en movimiento del ventilador (al menos 35 lb = 15.9 kg). No uses una caja eléctrica de plástico.

Las ilustraciones más abajo muestran tres formas distintas de montar la caja eléctrica.



NOTA: Tal vez necesites un tubo bajante más largo, para mantener la altura mínima adecuada de las aspas, al instalar el ventilador en un techo inclinado. El ángulo máximo permitido es 30° desde la horizontal.



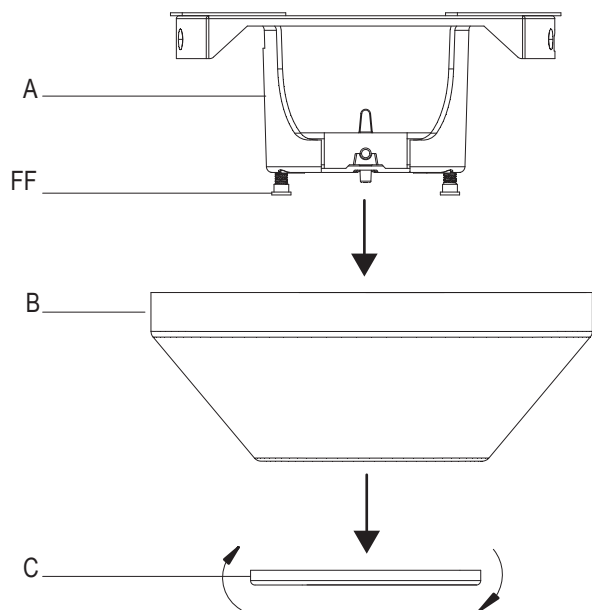
Si la cubierta toca el tubo bajante, retira la tapa inferior de la cubierta y gira la cubierta 180° antes de fijarla a la placa de montaje.

Para colgar el ventilador donde hay una lámpara, pero ninguna viga de techo, tal vez se necesite una barra para colgar como se muestra más arriba (disponible en cualquier tienda de The Home Depot).

Ensamblaje - Montaje estándar en techo

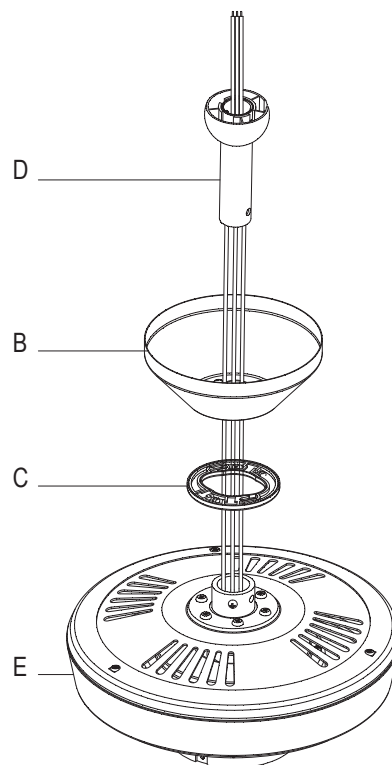
1 Preparación para el montaje

- Retira la tapa inferior (C) de la cubierta (B) girándola hacia la izquierda hasta liberarla.
- Afloja los dos tornillos de la cubierta (FF) en la parte inferior del soporte de montaje (A) y gira la cubierta hacia la izquierda para quitar el soporte (A) de la cubierta (B).



2 Cómo tender los cables

- Inserta los cables que salen por la parte superior del motor del ventilador (E) a través de la tapa inferior de la cubierta (C).
- Asegúrate de que las aberturas de ranura estén en la parte superior; primero inserta los cables por la cubierta (B) y enseguida a través del conjunto de tubo bajante/esfera (D).

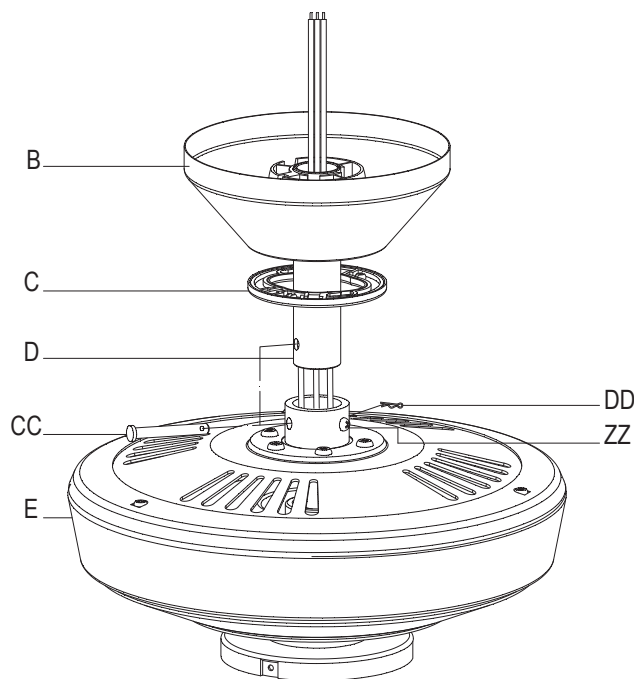


3 Cómo ensamblar el ventilador



ADVERTENCIA: Si no instalas correctamente el pasador de cierre es posible que el ventilador se afloje y caiga.

- Afloja, sin quitarlos, los dos (2) tornillos de fijación (ZZ) del collarín en la parte superior de la carcasa de motor (E).
- Alinea los orificios en la parte inferior del tubo bajante (D) con aquellos del collarín en la parte superior de la carcasa de motor (E).
- Inserta con cuidado el pasador de soporte (CC) a través de los orificios del collarín y del tubo bajante (D). Ten cuidado de no apretar el pasador de soporte (CC) contra el cableado dentro del tubo bajante (D).
- Inserta el pasador de cierre (DD) en el orificio cercano al extremo del pasador de soporte (CC) hasta que encaje en su posición.
- Vuelve a apretar los dos (2) tornillos de fijación (ZZ) del collarín ubicado en la parte superior de la carcasa del motor (E).



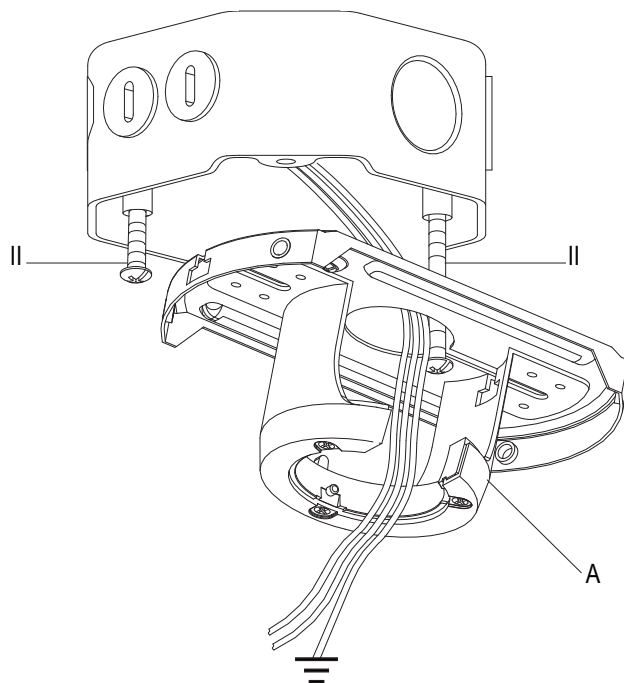
Ensamblaje - Cómo colgar el ventilador

1 Cómo fijar el ventilador a la caja eléctrica



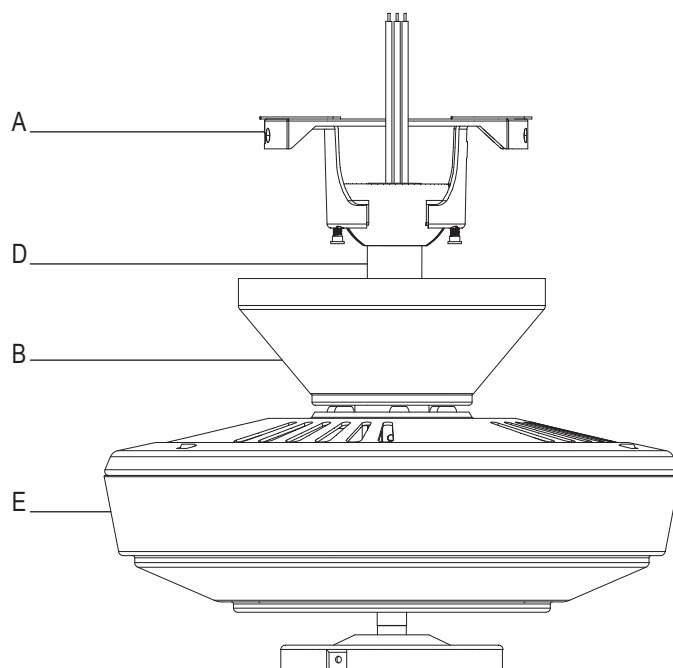
ADVERTENCIA: Para reducir el riesgo de incendio, descarga eléctrica o lesiones personales, instala solo en una caja eléctrica clasificada como "Apropiada para sostener ventiladores de 35 lb (15.9 kg) o menos" y usa los tornillos que vienen con ella.

- Pasa los cables de suministro de 120 V a través del orificio central en el soporte de montaje (A).
- Instala el soporte de montaje de techo sobre la caja eléctrica deslizando el soporte de montaje (A) sobre los dos tornillos (II) suministrados con la caja eléctrica. Si es necesario, usa arandelas niveladoras (no incluidas) entre el soporte de montaje (A) y la caja eléctrica. Fíjate que el lado plano del soporte de montaje (A) esté apuntando hacia la caja eléctrica. Cuando montes cerca del cielo raso, es importante que el soporte de montaje esté nivelado.
- Aprieta firmemente los dos tornillos de montaje (II).



2 Cómo colgar el ventilador

- Con cuidado, levanta el conjunto del motor-ventilador (E) hasta el soporte de montaje deslizante (A).
- Inserta la esfera del conjunto de tubo bajante/esfera (D) en el casquillo del soporte de montaje deslizante (A).
- Gira el conjunto de tubo bajante/esfera hacia la derecha hasta que quede encajado, con la pestaña del soporte de montaje deslizante alineada con la ranura de la bola.



Ensamblaje - Cómo colgar el ventilador (continuación)

3 Cómo hacer las conexiones eléctricas



ADVERTENCIA: Quita los tapones de goma del motor en la parte inferior del ventilador antes de instalar las aspas o de verificar el motor.

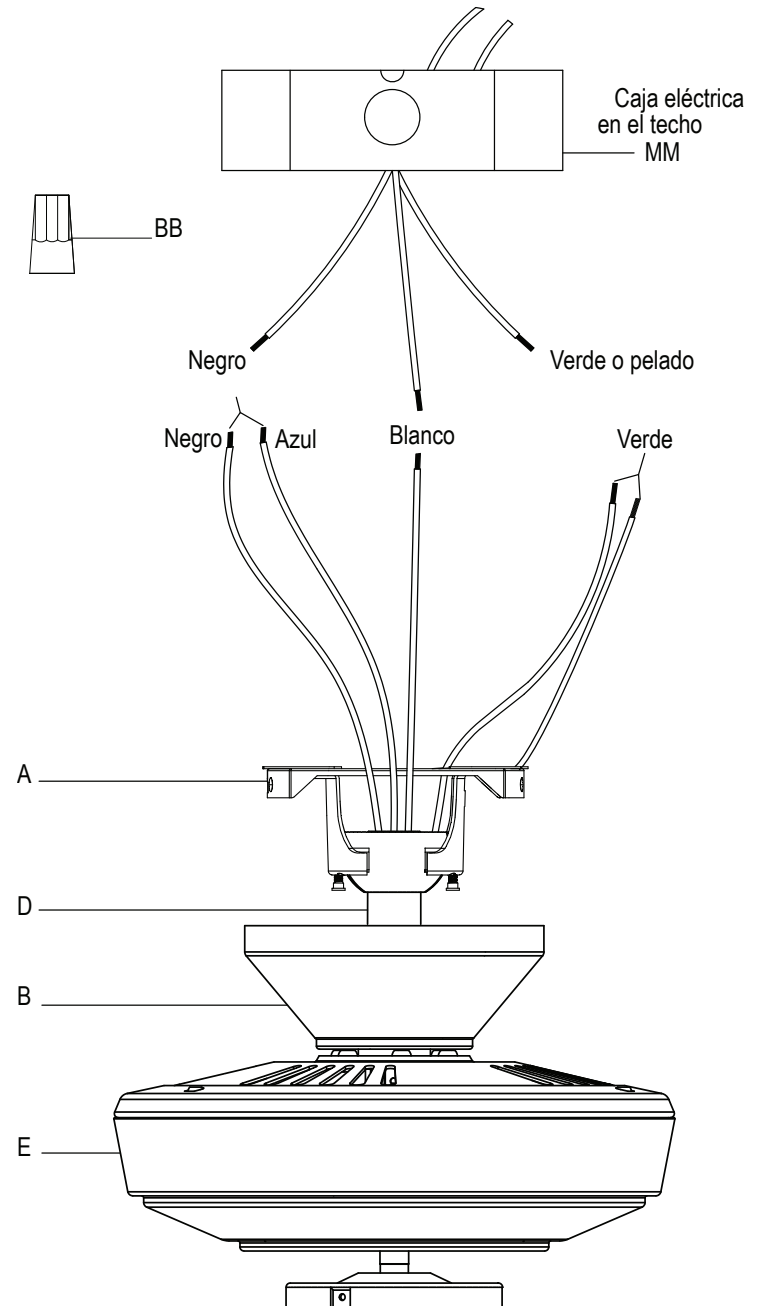


IMPORTANTE: Usa las tuercas de conexión de cables (BB) que vienen con tu ventilador. Sujeta los conectores con cinta de electricista y asegúrate de que no haya conexiones ni cables sueltos.



NOTA: El ventilador viene con cables terminales de 54 plg (137 cm) para usar con un conjunto extendido de tubo bajante/esfera. Si usas el conjunto extendido de tubo bajante/esfera (D) de 4.5 plg (11.4 cm) incluido, puedes recortar los cables terminales al largo deseado (no menos de 12 plg=30.5 cm).

- El ventilador viene con cables terminales de 54 plg (137 cm) para usar con un conjunto extendido de tubo bajante/esfera. Si usas el conjunto extendido de tubo bajante/esfera (D) de 4.5 plg (11.4 cm) incluido, puedes recortar los cables terminales al largo deseado (no menos de 12 plg=30.5 cm). Esto dejará más espacio en la cubierta (B). Si no quieres cortar los cables, deberás enrollarlos cuidadosamente.
- Conecta el conductor a tierra del cable de 120 V (puede ser un cable desnudo o un cable con aislamiento verde) al (los) cable(s) terminal(es) a tierra verde(s) del ventilador. Habrá dos cables terminales a tierra verdes; uno desde el soporte de montaje de techo y otro desde el conjunto del tubo bajante/esfera.
- Conecta el cable blanco del motor del ventilador al cable blanco del hogar usando una tuerca de conexión de cables (BB).
- Conecta el cable negro o azul del motor del ventilador al cable negro del hogar usando una tuerca de conexión de cables (BB).
- Asegura cada tuerca de conexión de cables con cinta de electricista.
- Gira la tuerca de conexión de cables (BB) hacia arriba y coloca el cableado dentro de la caja eléctrica (MM).



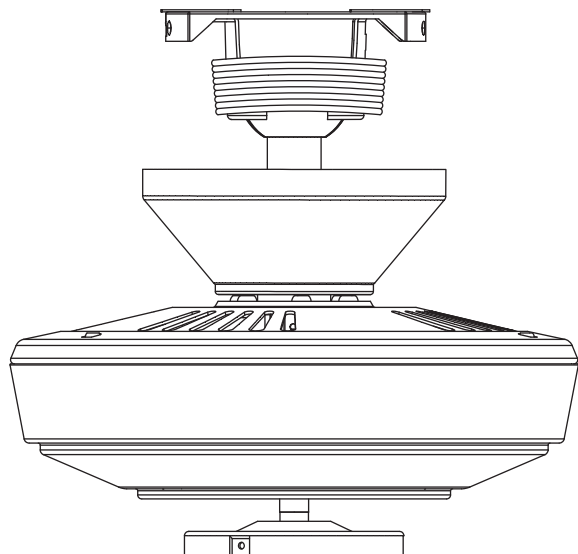
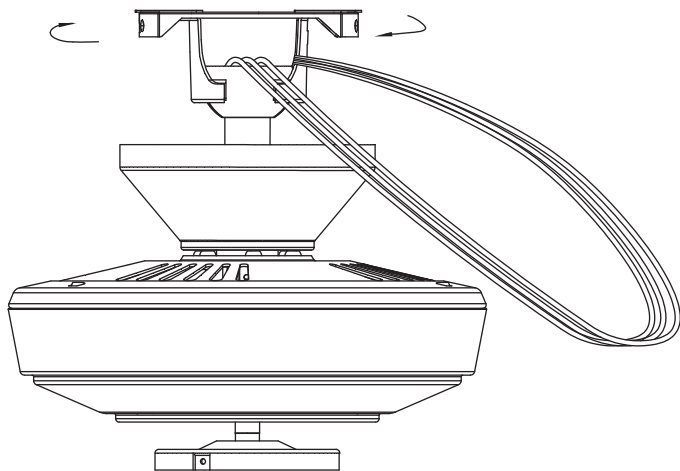
Ensamblaje - Cómo colgar el ventilador (continuación)

4 Cómo enrollar el cable sobrante



NOTA: Sigue estos pasos **SOLAMENTE** si no cortaste el cable sobrante del ventilador de techo.

- Con cuidado, enrolla el exceso de cable alrededor del soporte de montaje.
- Asegura con cinta de electricista.



5 Cómo montar el conjunto motor-ventilador

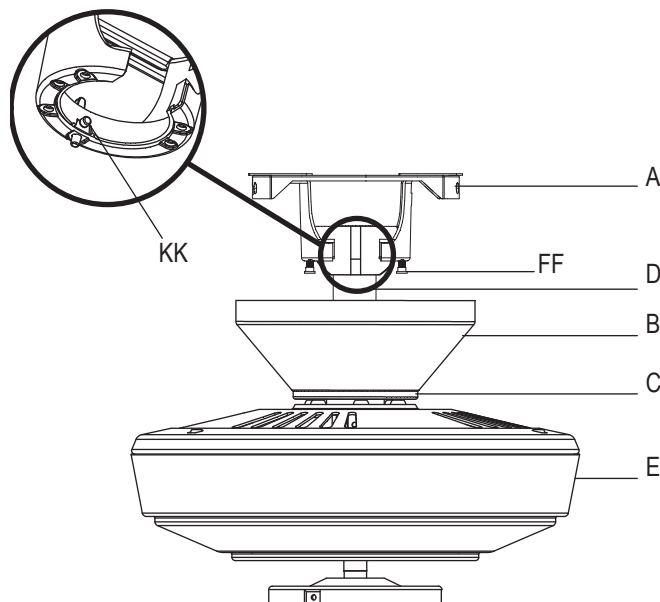


ADVERTENCIA: Cuando uses el montaje de tubo bajante/esfera estándar, la pestaña en el aro en la parte inferior del soporte de montaje debe encajar en la ranura de la bola de soporte. Si la pestaña no se asienta correctamente en la ranura, se puede dañar el cableado.



ADVERTENCIA: Las ranuras de cierre de la cubierta del techo solo sirven de ayuda durante la instalación. **No dejes de vigilar el ensamblaje del ventilador hasta que los cuatro tornillos de la cubierta estén fijos y firmemente ajustados.**

- Alinea las ranuras de cierre de la cubierta (B) con los dos tornillos (FF) y el poste de alineación (KK) del soporte de montaje (A).
- Empuja hacia arriba la cubierta (B) y gírala hacia la derecha hasta que el poste de alineación (KK) se enganche en el orificio redondo y los tornillos (FF) en las ranuras tipo ojo de cerradura.
- Aprieta firmemente los dos tornillos de montaje (FF).
- Instala la tapa inferior decorativa (C) alineando sus ranuras con los tornillos en la parte inferior de la cubierta (B). Gira la tapa inferior (C) hacia la derecha para fijarla en su lugar.



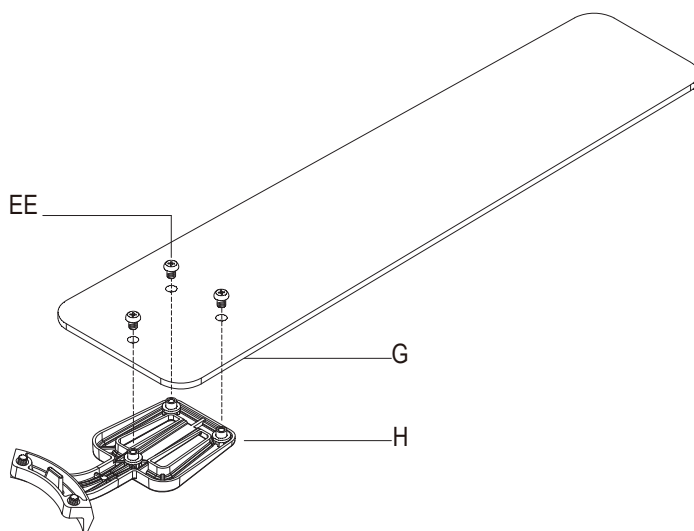
Ensamblaje - Cómo fijar las aspas del ventilador

6 Cómo fijar las aspas del ventilador



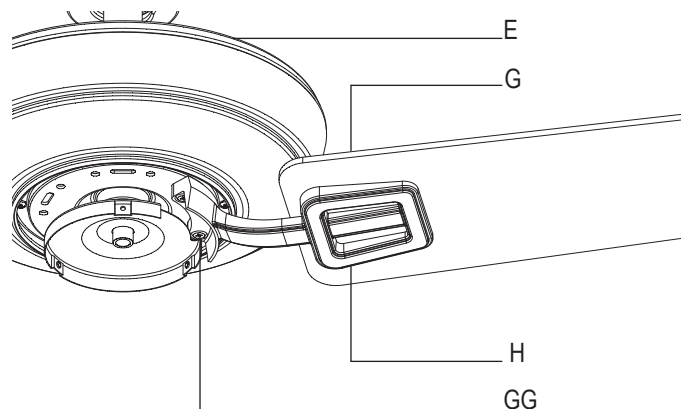
NOTA: Las aspas de tu ventilador son reversibles. Elige el acabado del asa por el lado que mejor resalte tu decoración.

- Fija un asa (G) a su soporte (H) con los tornillos (EE) provistos. Observa que las arandelas de goma están fijadas en el soporte del asa (H). Inserta el tornillo (EE) en el soporte del asa (H). Repite para los dos tornillos restantes.
- Aprieta firmemente todos los tornillos (EE).
- Repite el procedimiento para las aspas restantes.



7 Cómo fijar los soportes de las aspas

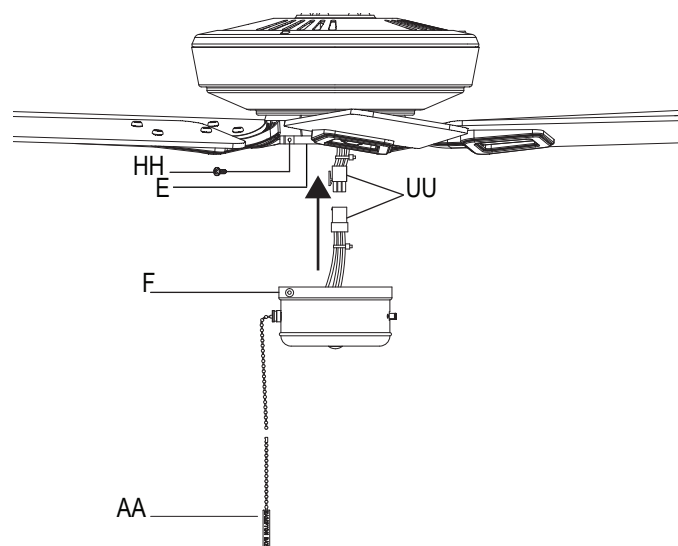
- Fija el soporte del asa (H) al motor (E) insertando el poste de alineación dentro de la ranura de la parte inferior del conjunto motor-ventilador (E) y apretando los tornillos del motor (GG) que están pre-ensamblados al soporte de asa (H).
- Repite este procedimiento para los cuatro restantes soportes de aspas (H).



Ensamblaje - Cómo instalar la caja del interruptor

1 Cómo instalar la caja del interruptor

- Retira los tres tornillos (HH) del soporte negro en la base del conjunto motor-ventilador (E).
- Conecta el enchufe con adaptador que sale de la caja del interruptor (F) hasta el enchufe del ventilador (UU).
- Alinea los tres orificios para tornillos en la caja del interruptor (F) con los tres orificios para tornillos en el soporte negro en la base del ventilador.
- Coloca la caja del interruptor (F) en el soporte negro e instala los tornillos (HH) que se quitaron en el primer paso.
- Conecta la extensión de la cadena del interruptor (AA) proporcionada a la cadena del interruptor del ventilador.



Funcionamiento

Enciende la electricidad y comprueba el funcionamiento del ventilador. El interruptor de cadena controla las velocidades del ventilador de la siguiente manera:

1 vez: alta, 2 veces: media, 3 veces: baja y 4 veces: apagado.

Las configuraciones de velocidad apropiadas para clima cálido o

frío dependen de factores como tamaño de la habitación, altura del techo y cantidad de ventiladores.

El interruptor deslizante (YY) controla el sentido de giro de las aspas: hacia adelante (hacia la izquierda) o en reversa (hacia la derecha)

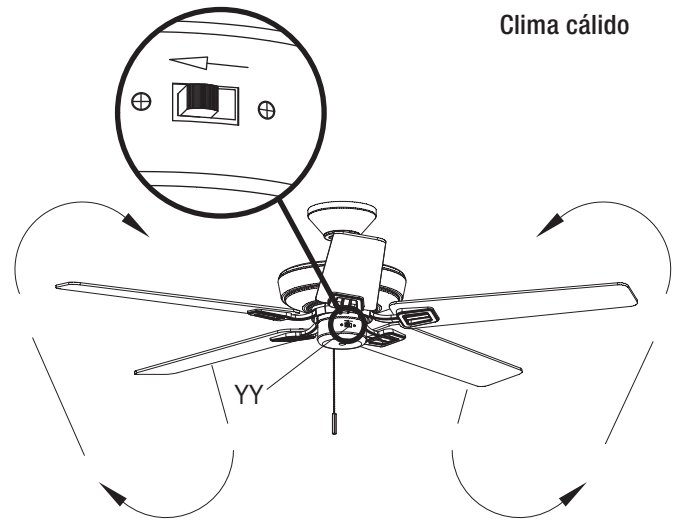


NOTA: Espera a que se detenga el ventilador antes de invertir la dirección de giro de las aspas.

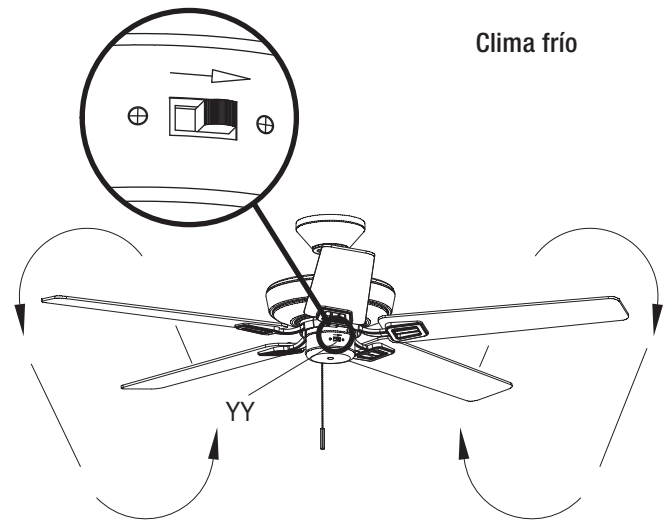
Clima cálido - (Hacia adelante) Un flujo de aire descendente surte un efecto refrescante. Esto te permite configurar tu equipo de aire acondicionado a una temperatura más alta sin afectar tu comodidad.

Clima frío - (Reversa) Un flujo de aire hacia arriba desplaza el aire cálido lejos del techo. Esto te permite configurar la unidad de calefacción a una temperatura más baja sin afectar tu comodidad.

Clima cálido



Clima frío



Mantenimiento y limpieza



ADVERTENCIA: Asegúrate de que la corriente esté apagada antes de limpiar el ventilador.

- Debido al movimiento natural del ventilador, algunas conexiones pueden aflojarse. Revisa dos veces al año las conexiones de soporte, los soportes y los accesorios de las aspas. Comprueba que estén seguros. No es necesario desmontar el ventilador del techo.
- Hay que limpiar el ventilador con frecuencia para que luzca como nuevo al paso de los años. No usar agua para limpiarlo. Esto puede dañar el motor o la madera e incluso provocar una descarga eléctrica. Usa solo un cepillo suave o un paño sin pelusas para evitar rayar el acabado. El revestimiento está sellado con laca para minimizar la decoloración u opacidad.
- Puedes aplicar a la madera una fina capa de pulimento para muebles y dar así más protección y belleza. Cubre los rayones diminutos con una ligera aplicación de lustrador para calzado.
- No necesitas lubricar tu ventilador. El motor tiene cojinetes de bola sellados y permanentemente lubricados.

Solución de problemas

Problema	Solución
El ventilador no enciende.	<ul style="list-style-type: none"><input type="checkbox"/> Verifica los fusibles o disyuntores principales y secundarios.<input type="checkbox"/> Verifica las conexiones de cables en línea al ventilador y las conexiones de cables del interruptor en la caja correspondiente.
El ventilador hace ruido.	<ul style="list-style-type: none"><input type="checkbox"/> Asegúrate de que todos los tornillos de la carcasa del motor estén ajustados.<input type="checkbox"/> Verifica que los tornillos que unen el soporte de aspa al cubo del motor estén bien apretados.<input type="checkbox"/> Asegura que las conexiones de tuerca de cable no choquen unas con otras ni con la pared interior de la caja del interruptor.<input type="checkbox"/> Deja que transcurra un período de “adaptación” de 24 horas. En ese período desaparecen la mayoría de los ruidos asociados a un ventilador nuevo.<input type="checkbox"/> Si usas el kit de luces de ventilador de techo, asegura que los tornillos que sujetan el vidrio estén bien apretados. Verifica que las bombillas también estén aseguradas.<input type="checkbox"/> Controla que la cubierta quede a corta distancia del techo. No debe tocar el techo.<input type="checkbox"/> Asegúrate de que la caja eléctrica quede bien ajustada y se hayan instalado almohadillas aislantes de goma entre la placa de montaje y la caja eléctrica.
El ventilador oscila.	<ul style="list-style-type: none"><input type="checkbox"/> Verifica que todas las aspas y los tornillos de sus brazos estén bien ajustados.<input type="checkbox"/> La mayoría de los problemas de oscilación del ventilador se debe a que las aspas no están al mismo nivel. Verifica este nivel seleccionando un punto en el cielo raso sobre la punta de una de las aspas. Mide desde un punto en el centro de cada aspa a un punto en el techo. Rota el ventilador hasta que la siguiente aspa esté en posición para medir y mide desde el mismo punto en cada aspa hasta el cielo raso. Repite el procedimiento para cada aspa. Las desviaciones de la medición no deben pasar de 1/8 plg (0.32 cm) durante diez minutos. Si el ventilador continúa oscilando, comunícate con el Servicio al Cliente de The Home Depot y te enviarán un kit de compensación de aspas, sin costo alguno.

HAMPTON BAY®

¿Preguntas, problemas, piezas faltantes? Antes de devolverlo a la tienda,
llamar al Servicio al Cliente de Hampton Bay
De lunes a viernes de 8:00 a.m. a 7:00 p.m. (hora estándar del Este),
y los sábados de 9:00 a.m. a 6:00 p.m. (hora estándar del Este).

1-855-HD-HAMPTON

HAMPTONBAY.COM

Conserva este manual para uso en el futuro.