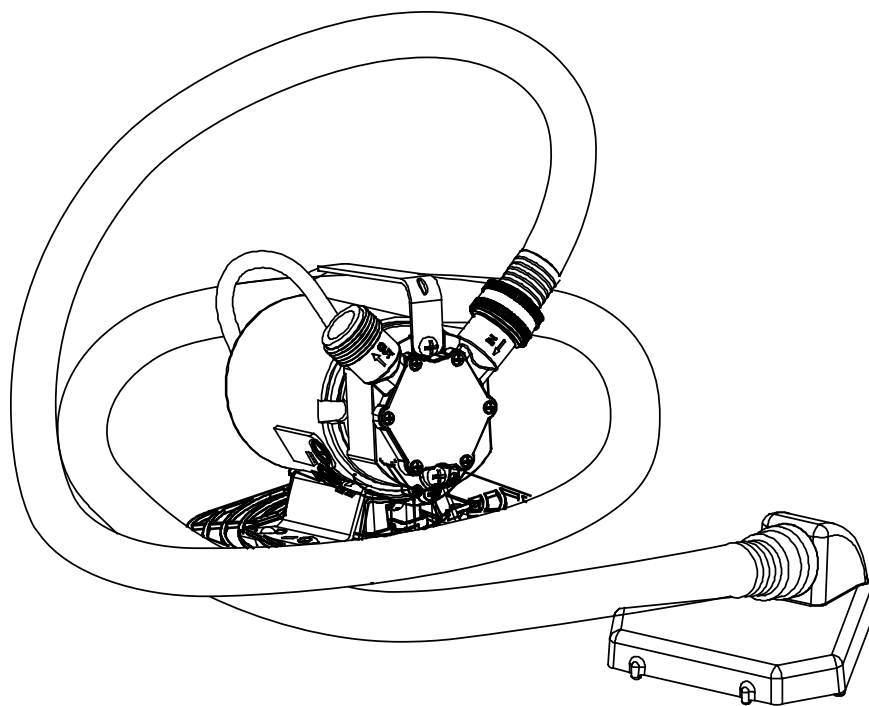


# USE AND CARE GUIDE

## NON-SUBMERSIBLE WATER TRANSFER PUMP



Questions, problems, missing parts? Before returning to the store call  
Everbilt Customer Service  
8 a.m. - 6 p.m., EST, Monday-Friday

**1-844-241-5521**

**HOMEDEPOT.COM**

Rev. 05/20/17

### **THANK YOU**

*We appreciate the trust and confidence you have placed in Everbilt through the purchase of this non-submersible sump pump. We strive to continually create quality products designed to enhance your home. Visit us online to see our full line of products available for your home improvement needs. Thank you for choosing Everbilt!*

# Table of Contents

Table of Contents ..... 2  
 Performance ..... 2  
 Safety Information ..... 2  
 Warranty ..... 3  
 Pre-Installation ..... 4

Installation ..... 5  
 Care and Cleaning ..... 7  
 Troubleshooting ..... 8

## Performance

SKU	HP	GPH of Water @ Total Feet Of Lift					Max. Lift
		0 ft.	10 ft.	20 ft.	30 ft.	40 ft.	
1001093976	1/10	360	318	264	198	132	42 ft.

## Safety Information



**DANGER:** Do not pump flammable or explosive liquids such as oil, gasoline, kerosene, ethanol, etc. Do not use in the presence of flammable or explosive vapors. Using this pump with or near flammable liquids can cause an explosion or fire, resulting in property damage, serious personal injury, and/or death.



**DANGER:** ALWAYS disconnect the power to the pump before servicing.



**DANGER:** Do not touch the motor housing during operation. The motor is designed to operate at high temperatures. Do not disassemble the motor housing.



**DANGER:** Do not handle the pump or pump motor with wet hands or when standing on a wet or damp surface, or in water before disconnecting the power.



**WARNING:** Release all pressure and drain all water from the system before servicing any component.



**WARNING:** Secure the discharge line before starting the pump. An unsecured discharge line will whip, possibly causing personal injury, and/or property damage.



**WARNING:** Extension cords may not deliver sufficient voltage to the pump motor. Extension cords present a life threatening safety hazard if the insulation becomes damaged or the connection ends fall into water. We recommend the pump be plugged directly into an outlet.



**WARNING:** Wear safety goggles at all times when working with pumps.



**WARNING:** This unit is designed only for use on 115 volts (single phase), 60 Hz, and is equipped with an approved 3-conductor cord and 3-prong grounded plug. Do not remove the ground pin under any circumstances. The 3-prong plug must be directly inserted into a properly installed and grounded 3-prong, grounding-type receptacle. Do not use this pump with a 2-prong wall outlet. Replace the 2-prong outlet with a properly grounded 3-prong receptacle (a GFCI outlet) installed in accordance with the National Electrical Code and local codes and ordinances. All wiring should be performed by a qualified electrician.



**WARNING:** Protect the electrical cord from sharp objects, hot surfaces, oil, and chemicals. Avoid kinking the cord. Do not use damaged or worn cords.



**WARNING:** Failure to comply with the instruction and designed operation of this unit may void the warranty. ATTEMPTING TO USE ADAMAGED PUMP can result in property damage, serious personal injury, and/or death.



**WARNING:** Ensure that the electrical circuit to the pump is protected by a 5-amp minimum (15-amp max.) fuse or circuit breaker.



**CAUTION:** Do not lift the pump by the power cord.

## Safety Information (continued)



**CAUTION:** Know the pump and its applications, limitations, and potential hazards.



**CAUTION:** Periodically inspect the pump and system components to ensure the pump suction screen is free of mud, sand, and debris. Disconnect the pump from the power supply before inspecting.



**CAUTION:** Follow all local electrical and safety codes, along with the National Electrical Code (NEC). In addition, all Occupational Safety and Health Administration (OSHA) guidelines must be followed.



**IMPORTANT:** The motor of this pump has a thermal protector that will trip if the motor becomes too hot. The protector will reset itself once the motor cools down and an acceptable temperature has been reached. The pump may start unexpectedly if it is plugged in.



**IMPORTANT:** Ensure the electrical power source is adequate for the requirements of the pump.



**IMPORTANT:** Before using the pump, check the hose for holes or excess wear, which could cause leaks, and ensure the hose is not kinked or making sharp angles. A straight hose allows the pump to move the greatest amount of water quickly, and also check that all hose connections are tight to minimize leaks.



**IMPORTANT:** This pump is made of high-strength, corrosion-resistant materials. It will provide trouble-free service for a long time when properly installed, maintained, and used. However, inadequate electrical power to the pump, dirt, or debris may cause the pump to fail. Please carefully read the manual and follow the instructions regarding common pump problems and remedies.

## Warranty

The manufacturer warrants the products to be free from defects in materials and workmanship for a period of one year from date of purchase. This warranty applies only to the original consumer purchaser and only to products used in normal use and service. If within one year this product is found upon examination by the manufacturer to be defective in materials or workmanship, the manufacturer's only obligation, and your exclusive remedy, is the repair or replacement of the product at the manufacturer's discretion, provided that the product has not been damaged through misuse, abuse, accident, modifications, alterations, neglect or mishandling. Your original receipt of purchase is required to determine warranty eligibility.

The purchaser must pay all labor and shipping charges necessary to replace the product covered by this warranty.

This Limited Warranty does not cover products which have been damaged as a result of an accident, misuse, abuse, negligence, alteration, improper installation or maintenance, or failure to operate in accordance with the instructions supplied with the products, or operational failures caused by corrosion, rust, or other foreign materials in the system.

Requests for service under this warranty shall be made by returning the defective product to the manufacturer as soon as possible after the discovery of any alleged defect. The manufacturer will subsequently take corrective action as promptly as reasonably possible.

The manufacturer does not warrant and especially disclaims any warranty, whether express or implied, of fitness for a particular purpose, other than the warranty contained herein. This is the exclusive remedy and any liability for any and all indirect or consequential damages or expenses whatsoever is excluded.

Some states do not allow the exclusion or limitation of incidental or consequential damages or limitations on how long an implied warranty lasts, so the above limitations or exclusions may not apply to you. This warranty gives you specific legal rights and you may also have other rights which vary from state to state.

For Professional Technical Support call 1-844-241-5521 or visit [HOMEDEPOT.COM](http://HOMEDEPOT.COM).

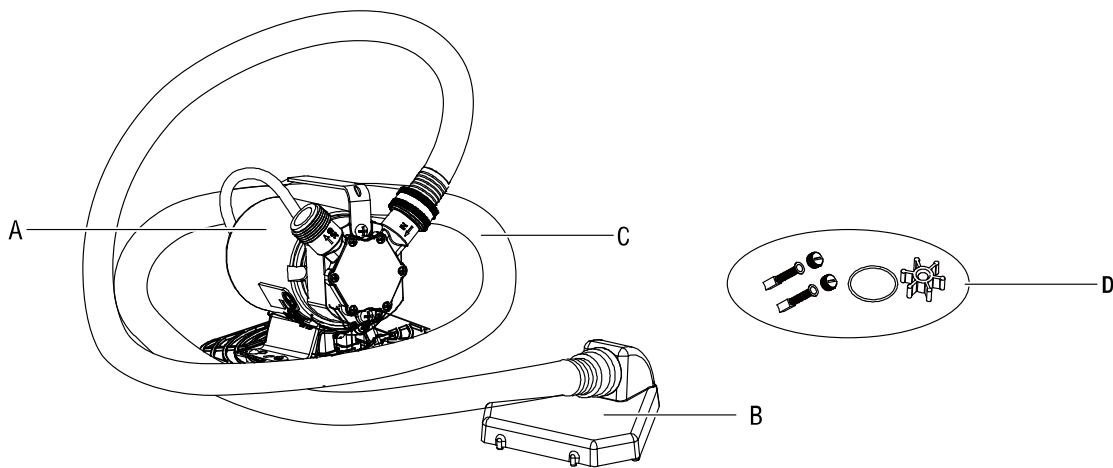
**For warranty registration please go to [www.gppumpsus.com](http://www.gppumpsus.com)**

# Pre-Installation

## APPLICATION

- This pump is designed for portable applications. It can drain or remove water from the following: flooded areas, pool covers, clogged sinks, waterbeds, water basins, boats, stock tanks, etc.
- It can also be used to fill tanks or water beds.
- This pump has not been tested or approved for use in swimming pools or in salt-water marine areas.
- This pump should not be used as a replacement for a sump pump.

## PACKAGE CONTENTS



Part	Description
A	Pump
B	Suction strainer
C	Suction hose
D	Replacement impellers and brushes

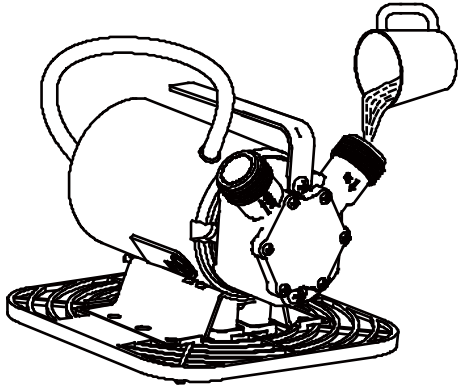
## SPECIFICATIONS

Power supply	115V, 60 HZ.
Liquid Temp. Range	32°F to 95°F(0°-35°C)
Discharge connection	3/4 in. garden hose thread connection
Discharge hose needed	5/8 in. or larger discharge garden hose
Power cord	SJTW, 18AWG/3C, 6 ft.

# Installation

## 1 Priming water

- Add water (approximately 1-2 Tbsp.) into the inlet to wet the impeller of the pump (A).

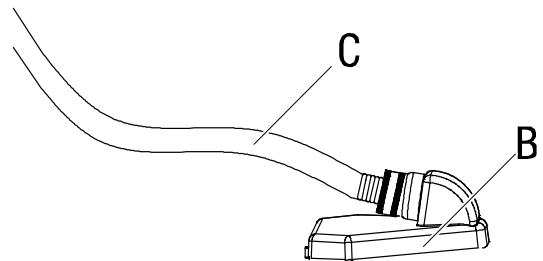


## 2 Attaching the suction hose to strainer

- Attach the clear suction hose (C) to the suction strainer (B) by pushing the male threaded end into the rubber coupler on the suction strainer.
- Then, place the strainer in at least 1/2 in. of water at the lowest point to be pumped.



**NOTE:** Make sure the connection is airtight. An air leak can cause the pump (A) to run dry.



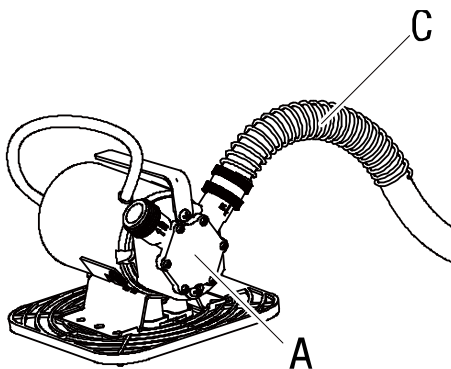
## 3 Attaching the suction hose to the pump inlet

- Thread the other end of the suction hose (C) to the suction inlet of the pump (A).



**NOTE:** Always ensure the washer in the hose bib is not damaged. An airtight seal is necessary for this pump to operate.

Make sure the suction hose (C) and suction strainer (B) are in the water before plugging in the pump (A).

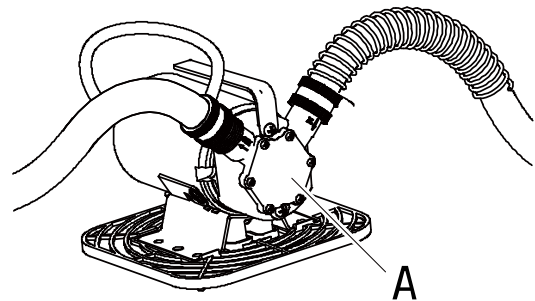


## 4 Attaching the discharge hose to the pump outlet

- Thread a 5/8 in. or larger garden hose (sold separately, 50 ft. max. length) onto the discharge outlet of the pump (A).



**NOTE:** Make sure the end of the outlet hose is not under water. If the outlet is under water, the pump may not work.



## Installation (continued)

### 5 Attaching the pump to a sturdy base

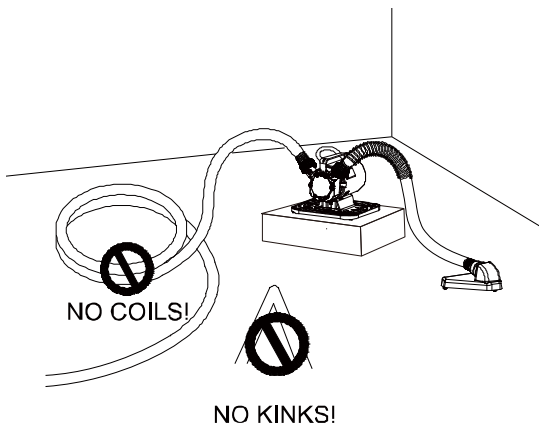
- Attach the pump (A) to a sturdy base (table, board, etc.) to prevent it from tipping over. Make sure the hoses are as straight as possible.



**WARNING:** This pump CANNOT be submersed in water, and the motor CANNOT get wet at all. Getting the motor wet could cause electrocution, which could lead to serious injury or death!



**NOTE:** Do not coil or kink the hose.



### 6 Operating

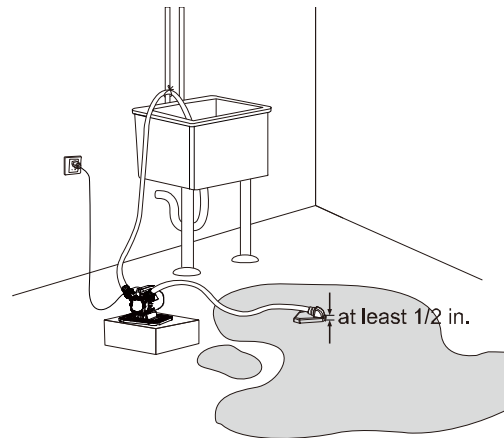
- To operate, plug the pump (A) into a GFCI outlet.



**NOTE:** This pump can be very loud when plugged in. THIS IS NORMAL. Once water begins to pump, the noise will dissipate. When the water level has been reduced to approximately 1/8 in., you **MUST UNPLUG THE PUMP**. DO NOT RUN DRY. The pump will be EXTREMELY LOUD when the pump is no longer pumping water.



**NOTE:** If water is not pumped in 30 seconds, unplug the power cord and check the connection on the two ends of the inlet hose to make sure there are no air leaks. Then, add water into the inlet again and repeat the process.



If the pump is allowed to run dry for too long, the pump's overheat protection will automatically shut the pump off. To use the pump again, after the motor temperature decreases (wait at least 30 minutes), you must unplug and re-plug in the pump.

# Care and Cleaning

## Do

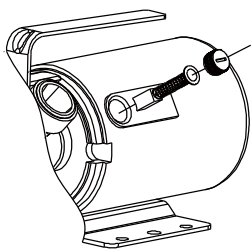
- When the power is disconnected, inspect the pump suction screen and remove all debris, then plug the pump back into the grounded (GFCI) outlet.

## Do Not

- Do not disassemble the motor housing. This motor has NO repairable internal parts, and disassembly may cause leakage or dangerous electrical wiring issues.
- Do not lift up the pump by the power cord.

### If the pump is not running properly

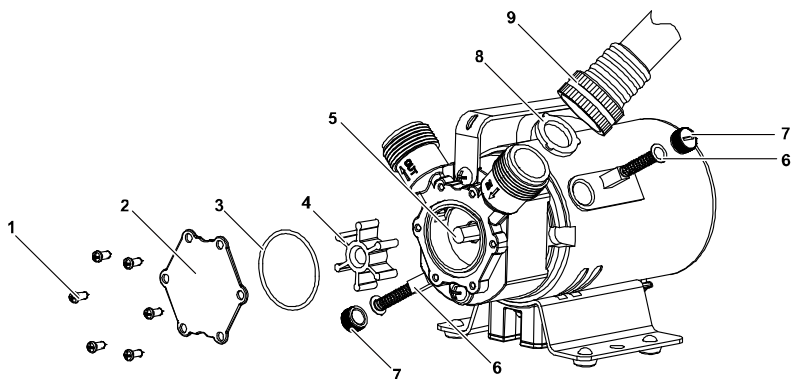
- Remove the impeller cover screws (#1),
- Remove the impeller cover (#2),
- Inspect the O-ring (#3) and impeller (#4). If the impeller wears out, replace the impeller. The brushes could run 200 hours. If the brushes have been worn off, replace the brush as the picture shows.



The brush must enter the square hole. Match the brush curve to the armature curve.  
If there are any damages to these parts, please contact the pump experts at 1-844-241-5521.



**NOTE:** Do not disassemble the motor housing of the pump. This motor has NO repairable internal parts, and disassembling may cause a dangerous electrical wiring issue.



Item	Description	Qty
1	Screw	6
2	Impeller cover	1
3	O ring	1
4	Impeller	1
5	Shaft	1
6	Brushes	2
7	Brush cap	2
8	Washer	1
9	Hose connection	1

# Troubleshooting

Problem	Possible Cause	Corrective Action
Motor runs but no water is discharged	Be sure pump is actually running, not just humming	See section below called “Motor hums-pump not running”.
	Discharge hose or pipe is blocked or too restrictive	Check hose/pipe for blockages. Check manual for maximum lengths of pipe/hose that pump can handle. Do not use a hose/pipe that is narrower than the discharge of the pump itself.
	Discharge hose/pipe goes up too high	Every pump has a maximum “head” capability, which is the highest it can lift water. Do not route discharge hose/pipe higher than the rating on Pg. 2.
	Impeller or other internal parts are worn, damaged, or clogged	Inspect the impeller and volute for wear or breakage. Repair or rebuild as needed. Check for clogs in the impeller screen and in the outlet riser (part that extends from volute to outlet).
	The pump is non-submersible, make sure it is primed	Non-submersible utility pumps need to be primed with water before use. Follow directions in the owners’ manual regarding priming.
Motor just hums – pump not running	Impeller is stuck or jammed with debris	Inspect the impeller area for any debris that may have entered. Remove as needed. Make sure impeller rotates freely.
	Motor is locked up	Check cooling shroud and/or vents in motor case for foreign objects or for shifting in the case. Remove objects and/or straighten the motor shroud.
	Motor has failed	If all items above check out OK, the motor has failed. Replace pump.
Motor does not run or make any noise at all	Pump is not getting any power	Check outlet where pump is plugged in. Make sure it has power. If no power check your home’s fuse or circuit breaker panel and repair as needed. Pump is not plugged in properly. Ensure pump’s plug is making good contact in outlet.
	Brushes worn out	Check and replace brushes.
	Pump has overheated from dry running	Unplug and wait for at least 30 minutes for using again.
	Internal connection or motor has failed	If all items above check out OK, the motor has failed. Replace pump.
	The liquid temperatures below 30 degrees F or above 77 degrees F.	Do not operate pump in temperatures as indicated.
Pump runs and moves water but the quantity of water is less than it should be	Discharge hose is restrictive	If you are using a hose that is narrower than the pump discharge, or a long hose, the pump will not be able to discharge water at the rate for which it was designed. Use a shorter, fatter hose.
		Check hose for coils or kinks. Lay hose out straight for best performance.
	Suction hose has an air leak	On pumps that use a hose for the suction, it is important that the hose have air-tight connections. If air can be pulled in through a hose connection, the pump’s performance will be diminished.
	Debris partially blocking intake area	Remove debris and ensure intake area is clear for optimum performance.
	Discharge elevation too high	The higher the discharge hose goes, the less water the pump can move. For improved performance the hose should go up too high.



## Troubleshooting (continued)

<b>Problem</b>	<b>Possible Cause</b>	<b>Corrective Action</b>
Pump runs and moves water but the quantity of water is less than it should be	Suction hose has collapsed and won't stay open	Suction hoses should be reinforced so that they can maintain their shape under suction conditions. Replace hose with reinforced, suction rated type.
	Impeller or other internal parts are worn or damaged	Inspect the impeller, diffuser, and other internal parts for wear and damage. Repair as needed
The impeller wears out quickly	Sand, dirt or other grit in the water is accelerating wear	All Everbilt utility pumps are designed to pump clear water. If there is dirt or grit in the water, the internal parts of the pump will wear at an accelerated rate.
	Some liquid other than water is being pumped	Many liquids have very little lubricating qualities. They will not lubricate the impeller properly and it will wear out faster. Everbilt utility pumps are all designed to pump clear fresh water.
Impeller is broken	Pump has picked up debris that caused the damage	Care must be used to try to keep debris from being drawn into the pump which will damage the rubber impeller. Replace impeller.



Questions, problems, missing parts? Before returning to the store call  
Everbilt Customer Service  
8 a.m. - 6 p.m., EST, Monday-Friday

**1-844-241-5521**

**HOMEDEPOT.COM**