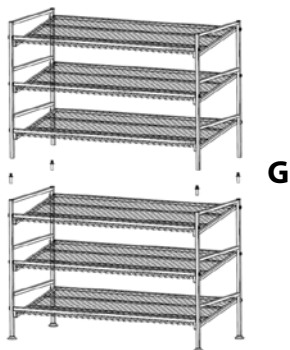


NOTE: Drawing shows 2 units stacked vertically. Do not exceed maximum height of 2 stacked units.



WARNING: Do not sit on the rack. Do not drop heavy items on the rack. Place heavier items on the lower shelves and lighter ones on the top shelves. Do not move the rack while loaded.

STEPS TO STACK THE RACK

1. Build another rack following the instructions above. However, do not install the LEVELING FEET (B) on the second (top) unit.

2. Screw the STACKING PINS (G) into the legs of the top unit. Remove all CAPS (C) from the original (base) unit.

3. Lift the top unit up and onto the base unit, lining up the pins with the holes at the four top corners so that they can be inserted into each other. Be sure everything is in alignment and then press down firmly on the top unit so that it sits tightly into and onto the base unit.

WEIGHT CAPACITY PER SHELF: 13.6 kg/ 30 lb







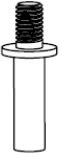
ASSEMBLY INSTRUCTIONS

3-TIER ADJUSTABLE SHOE RACK (Model No. 15890)



www.sevilleclassics.com
©2015 Seville Classics, Inc.

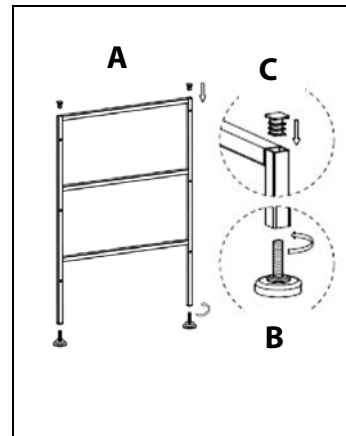
Important: Retain for future reference, read carefully.

A 2x 	B 4x 	C 4x 	D 3x 
E 12x 	F 1x 	G 4x 	

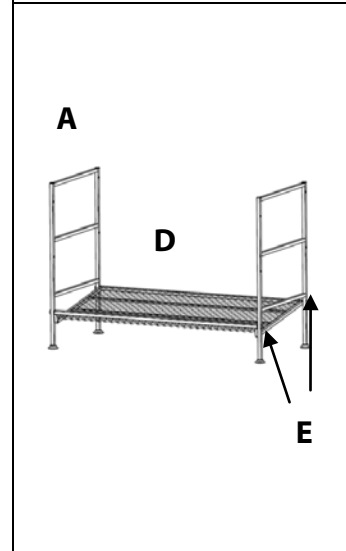
Please make sure you have all the parts before assembly

STEPS TO ASSEMBLE THE RACK

Unpack and remove all parts from the box. If there are missing or broken parts, please contact our CUSTOMER SERVICE.



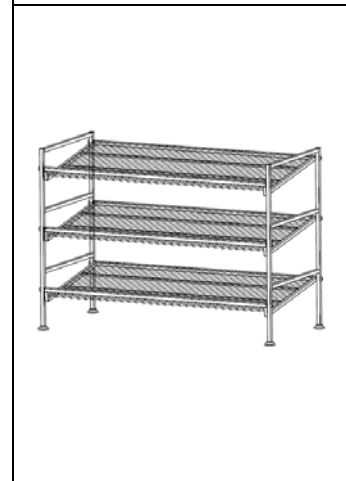
1. Screw the LEVELING FEET (B) into the legs of each SIDE FRAME (A). Insert the CAPS (C) into the top holes of each side frame.



2. Using four SCREWS (E) and the HEX KEY (F) loosely secure the bottom SHELF (D) to each side frame. Once all the screws are in place, tighten down all the screws.

Note: The counter sink holes should face outward so the screw head will be flat when tightened.

Tip: The shelf can be assembled tilted or flat. Rotate shelf 180 degrees before installation to adjust the position.



3. Once all shelves are securely in place, adjust the leveling feet by screwing them in or out to obtain a level rack.