

For Residential and Commercial Applications

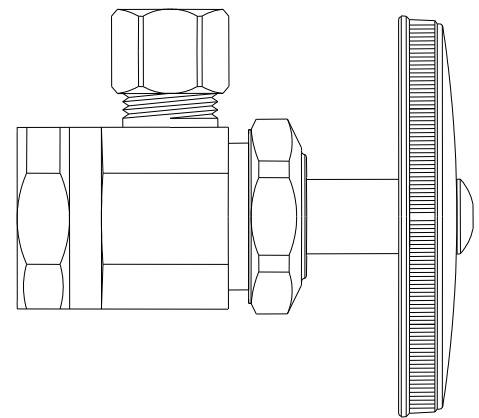
Job Name		Engineer / Architect	
Job Location		Wholesaler	
Submittal Date		Contractor	

R1700/1701X Multi-Turn Dual Outlet Stop – Female Iron Pipe (inlet) x Compression x Compression

Use: For use in potable water distribution systems in accessible locations only. Not intended for recirculation systems/continuous use temperatures above 115° F. For those applications, use our KT™ series ball stop.

Design Features:

- **Machined one-piece brass body** provides strength, durability, and long-lasting performance
- **Knurled oval handle** provides a secure grip and smooth on/off operation
- **Easy-to-remove handle** with screw attachment protects accidental stop operation during rough-ins
- **✓**



Operating Specifications:

Temperature: 40° - 160° F
Pressure: 125 PSI maximum



STOP MATERIAL SPECIFICATIONS	
Body	<i>Brass, plated</i>
Stem	<i>POM or brass</i>
Bib & Packing Washers	<i>Rubber</i>
Packing Nut	<i>Brass</i>
Handle	<i>ABS, plated</i>
Handle Screw	<i>Steel, zinc plated</i>
Compression Sleeve	<i>Brass</i>
Compression Nut	<i>Brass, plated</i>

Part Listing:

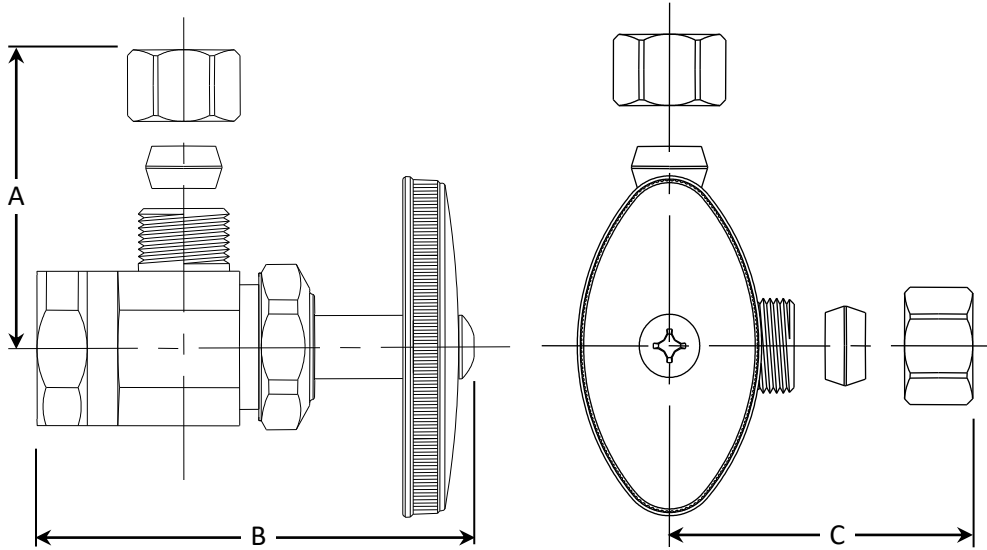
- R1700RX C1 1/2" FIP x 3/8" OD compression x 1/4" OD compression (right side), chrome plated, window tray
- R1700RX R 1/2" FIP x 3/8" OD compression x 1/4" OD compression (right side), rough brass
- R1701LRX C1 1/2" FIP x 3/8" OD compression x 3/8" OD compression, chrome plated, window tray
- R1701LRX RD 1/2" FIP x 3/8" OD compression x 3/8" OD compression, rough brass, carded
- R1701LRX R1 1/2" FIP x 3/8" OD compression x 3/8" OD compression, rough brass, window tray

This specification and all information contained herein is the confidential and exclusive property of Brasscraft Manufacturing Company and shall not be disclosed to others without the written consent of Brasscraft Mfg. Co. This specification must be returned to Brasscraft Mfg. Co. if requested.



R1700/1701X Multi-Turn Dual Outlet Stop – Female Iron Pipe (inlet) x Compression x Compression

PART DIMENSIONS (Inches)			
Model	DIM. A	DIM. B	DIM. C
R1700RX	1.06	2.49	1.06
R1701LRX	1.06	2.49	1.06



Listings & Certifications:

- IAPMO listed to ASME A112.18.1 / CSA B125.1 (includes NSF/ANSI 372 and NSF/ANSI/CAN 61)



This specification and all information contained herein is the confidential and exclusive property of Brasscraft Manufacturing Company and shall not be disclosed to others without the written consent of Brasscraft Mfg. Co. This specification must be returned to Brasscraft Mfg. Co. if requested.

BrassCraft®