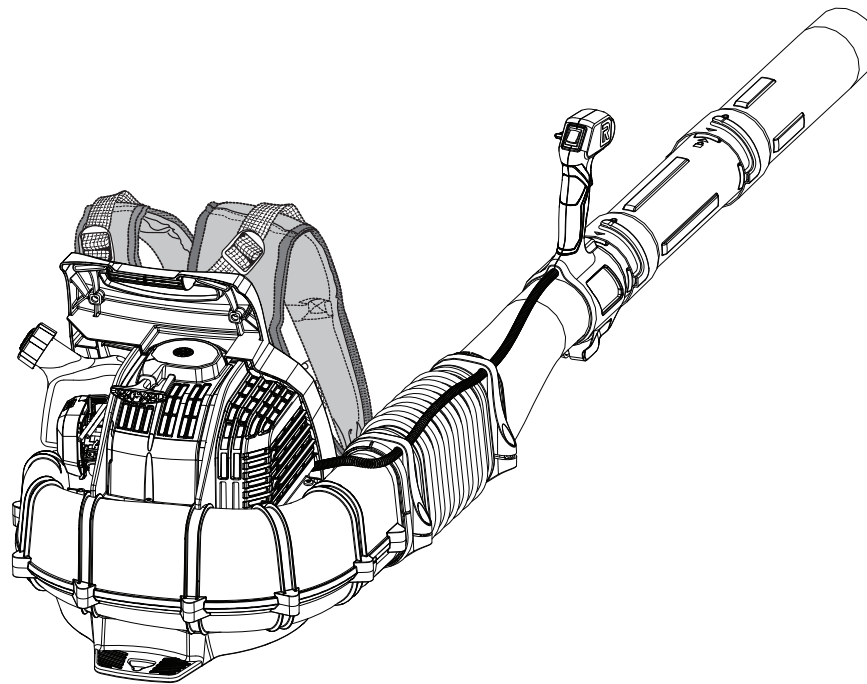


# REPAIR SHEET

BRAND <b>RYOBI</b>		DESCRIPTION <b>38cc Backpack Blower</b>
MODEL NO. <b>RY38BP</b>	MFG. NO. <b>090337001</b>	



## TECHTRONIC INDUSTRIES POWER EQUIPMENT

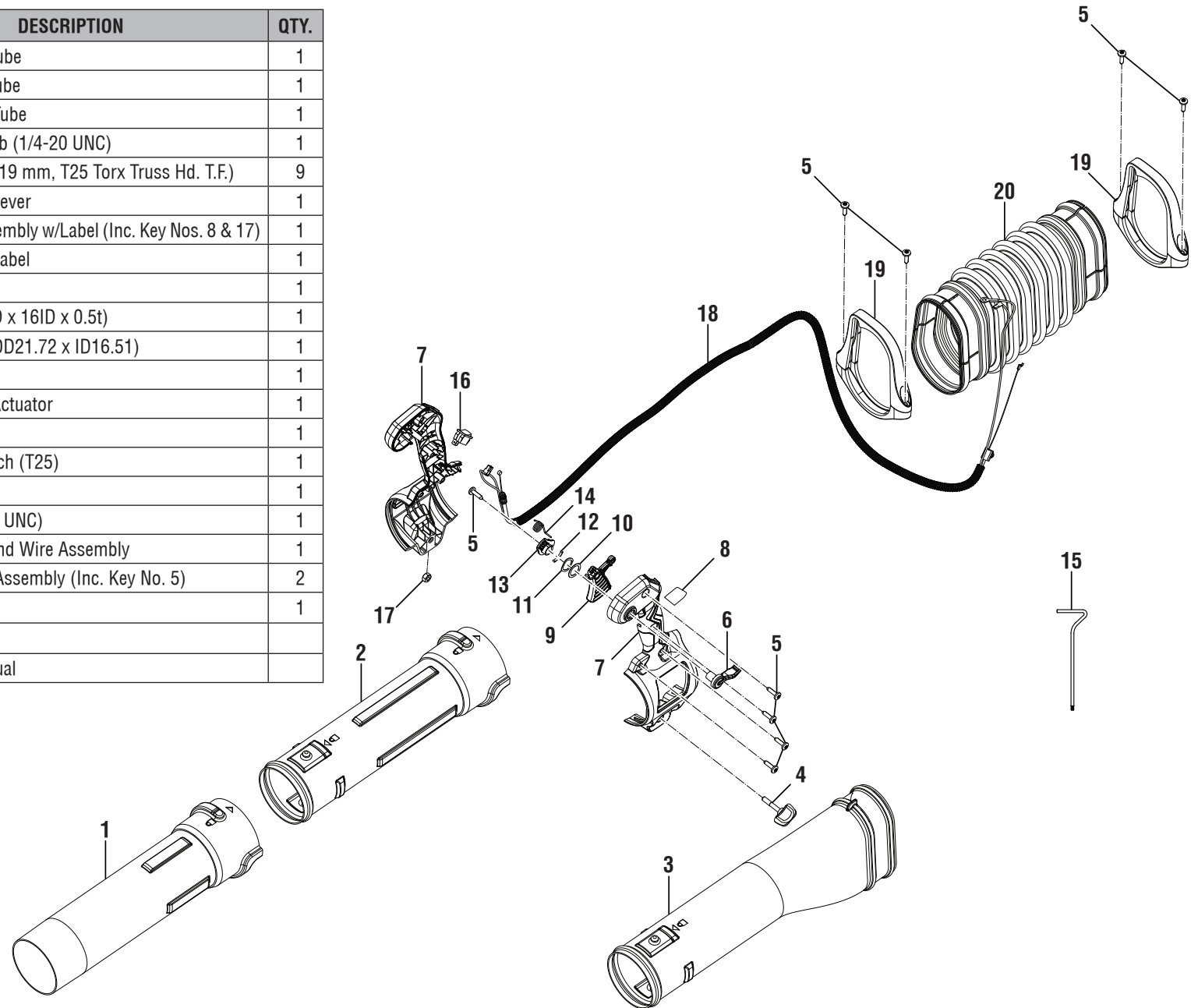
P.O. Box 1288, Anderson, SC 29622 ■ 1-800-525-2579 ■ [www.ryobitools.com](http://www.ryobitools.com)

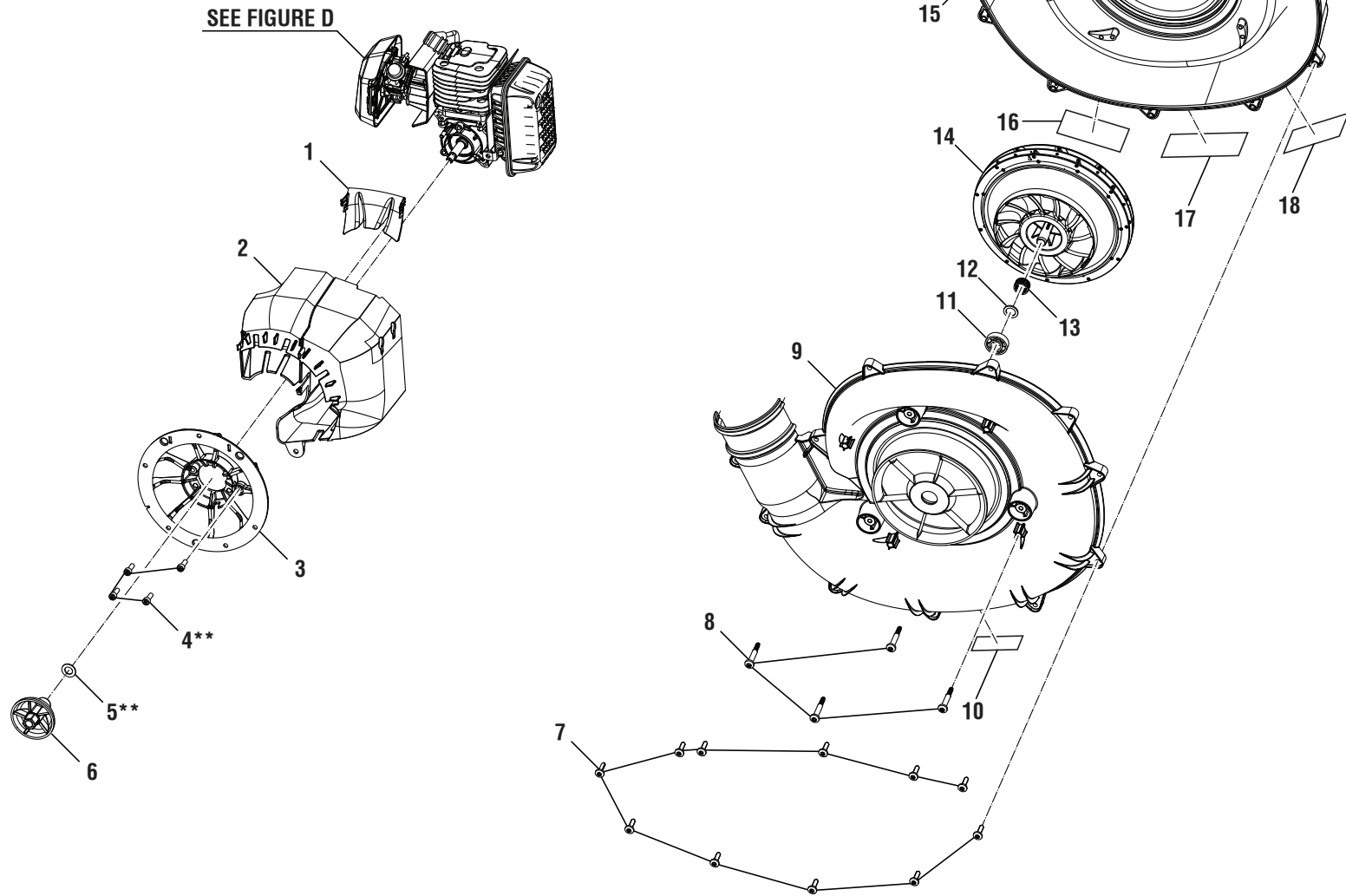
4-8-21 (Rev:02)

*The model number and manufacturing location will be found on a label attached to the product. Always mention this information in all communications regarding this product and when ordering parts.*

### PARTS LIST — FIGURE A

KEY NO.	PART NO.	DESCRIPTION	QTY.
1	580471001	Lower Blower Tube	1
2	580470001	Upper Blower Tube	1
3	580472001	Handle Blower Tube	1
4	518273004	Adjustment Knob (1/4-20 UNC)	1
5	660629005	Screw (10-14 x 19 mm, T25 Torx Truss Hd. T.F.)	9
6	527985002	Cruise Control Lever	1
7	314612001	Handle Half Assembly w/Label (Inc. Key Nos. 8 & 17)	1
8	941657013	Cruise Control Label	1
9	534921001	Throttle Trigger	1
10	631049004	Washer (22.50D x 16ID x 0.5t)	1
11	632423001	Wavy Washer (OD21.72 x ID16.51)	1
12	632472004	Detent Spring	1
13	534922001	Cruise Control Actuator	1
14	690694002	Throttle Spring	1
15	631055023	Assembly Wrench (T25)	1
16	760961002	Stop Switch	1
17	678190002	Hex Nut (1/4-20 UNC)	1
18	291899001	Throttle Cable and Wire Assembly	1
19	314613001	Bellows Clamp Assembly (Inc. Key No. 5)	2
20	580473001	Bellows Tube	1
	<b>Not Shown:</b>		
	995000443	Operator's Manual	





\*\* Non-Reuseable Parts



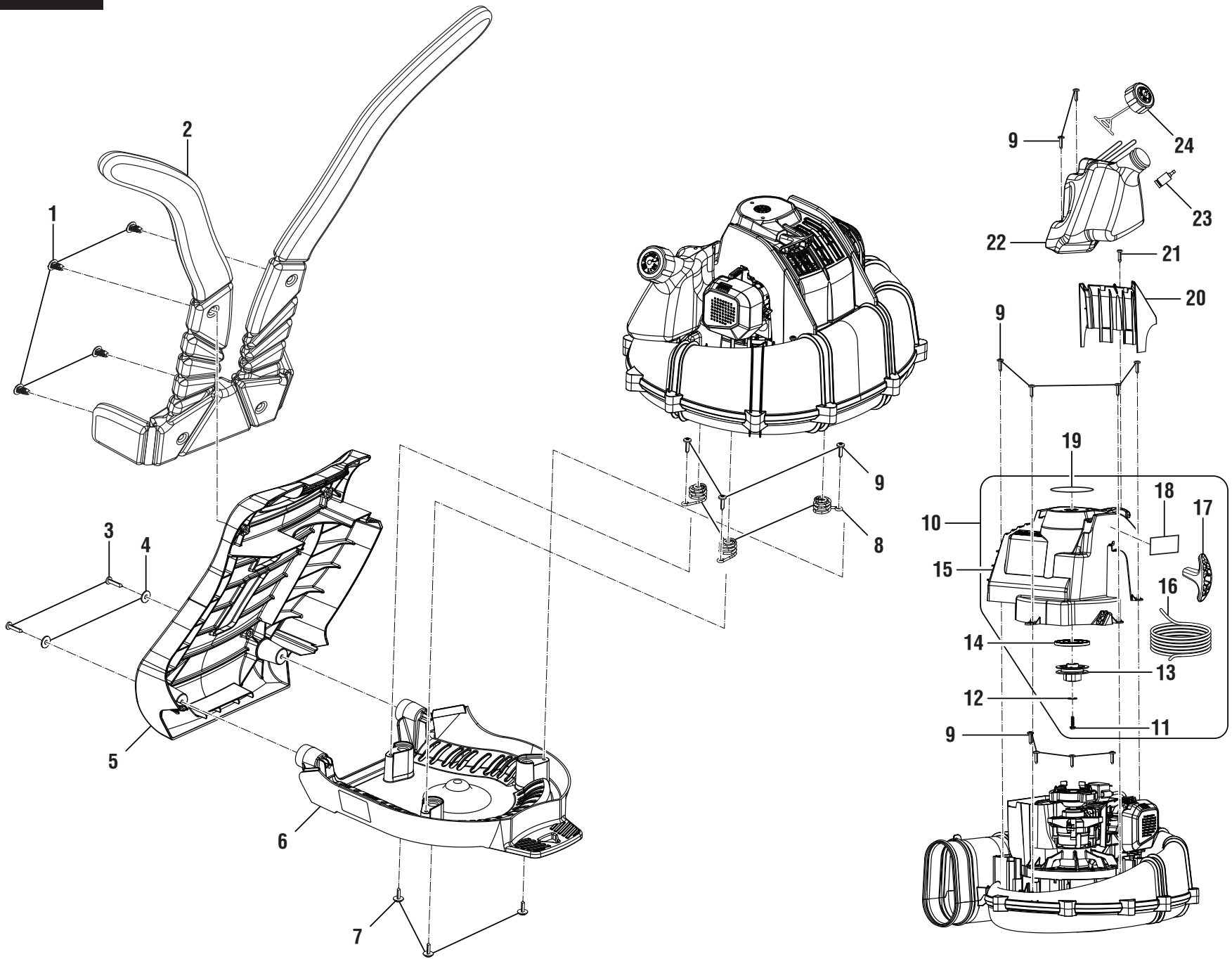
**RY38BP**

**PARTS LIST – FIGURE B**

KEY NO.	PART NO.	DESCRIPTION	QTY.
1	536124001	Engine Air Guide	1
2	314614001	Engine Air Duct (Inc. Key No. 1)	1
3	643397001	Engine Mount	1
4	661600001	**Screw (M5 x 14 mm, T25 Torx Soc. Hd.)	4
5	638289001	**Washer (180D x 10.2ID x 1.0t)	1
6	314615001	Fan Drive Coupler (Inc. Key No. 5)	1
7	660629005	Screw (10-14 x 19 mm., T25 Torx Truss Hd. T.F.)	11
8	660466003	Shoulder Screw (M5-14 x 40 mm, T25 Torx Truss Hd. T.F.)	4
9	314616001	Outer Volute w/Bearing and Label (Inc. Key No. 10-11)	1
10	941705029	Hair Ingestion Warning Label	1

KEY NO.	PART NO.	DESCRIPTION	QTY.
11	690697001	Ball Bearing (280D x 12ID x 8t)	1
12	637311001	Washer (OD18 x ID12.15 x 1.5t)	1
13	637049002	Wavy Spring	1
14	313723001	Fan Assembly	1
15	314617001	Inner Volute w/Labels (Inc Key Nos. 16-19)	1
16	941015028	MPH Label	1
17	941705025	Ryobi Logo Label	1
18	941015029	CFM Label	1
19	941657012	Warning Icon Label	1

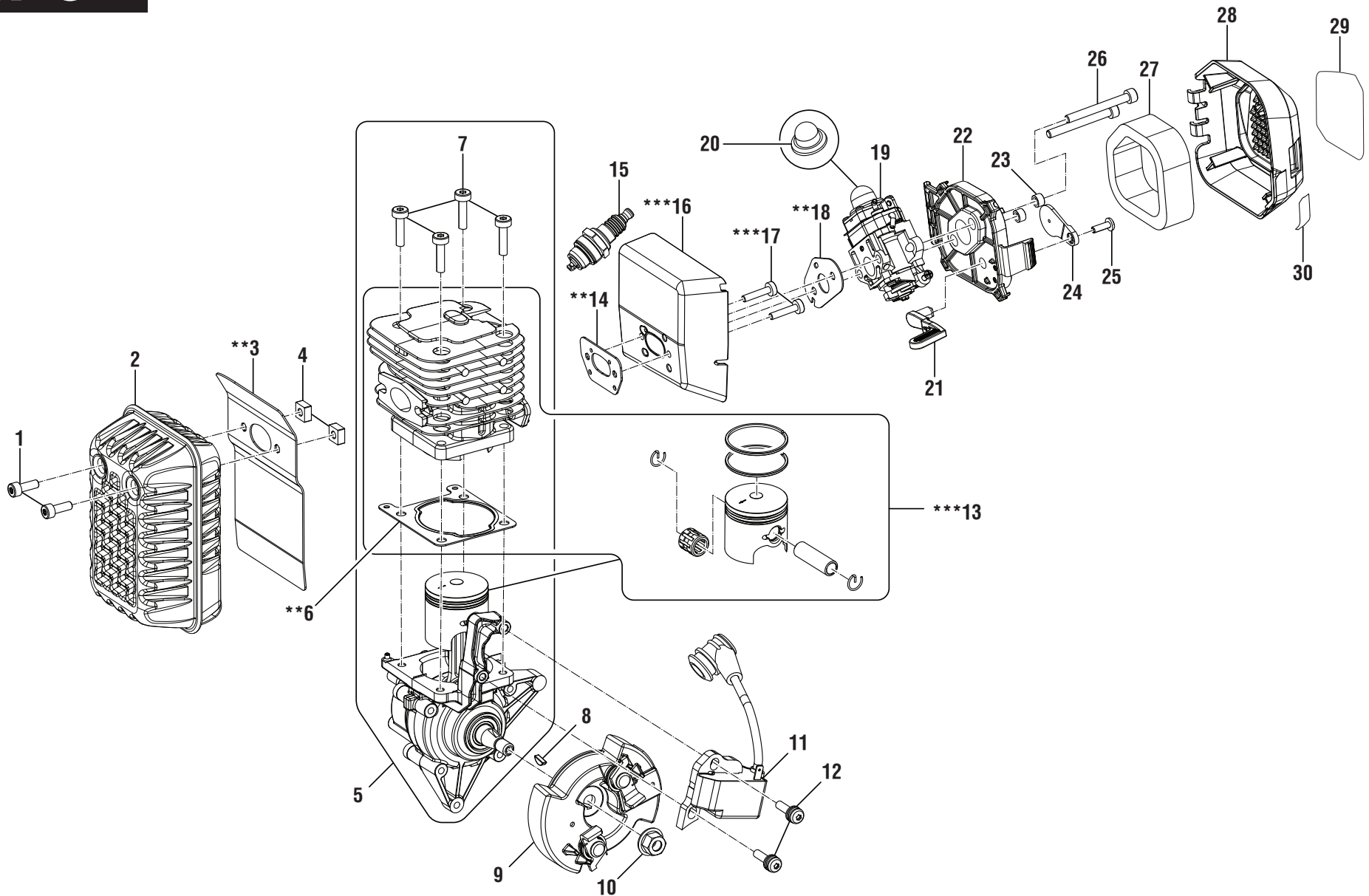
**\*\* Non-Reuseable Parts**



**PARTS LIST — FIGURE C**

KEY NO.	PART NO.	DESCRIPTION	QTY.
1	525644002	Push-In Fastener	4
2	901588003	Shoulder Straps	1
3	660618002	Screw (10-14 x 25 mm, T25 Torx Truss Hd. T.F.)	2
4	678587001	Washer (180D x 6.2ID x 1.5t)	2
5	534931001	Upper Frame	1
6	534932001	Lower Frame	1
7	660626006	Screw (10-14 x 17 mm, T25 Torx Truss Hd. T.F.)	3
8	679950001	Isolator Springs	3
9	660629005	Screw (10-14 x 19 mm, T25 Torx Truss Hd. T.F.)	13
10	314618001	Engine Housing and Starter Assembly (Inc. Key Nos. 11-19)	1
11	660918004	Screw (M5 x 19 mm, T25 Slotted Torx Truss Hd. T.F.)	1
12	678333001	Washer (160D x 5.3ID x 1.0t)	1

KEY NO.	PART NO.	DESCRIPTION	QTY.
13	518438003	Starter Pulley	1
14	308066001	Recoil Spring Container Assembly	1
15	314619001	Engine Housing w/Labels (Inc. Key Nos. 18-19)	1
16	900849002	Starter Rope (42 in.)	1
17	525485001	Starter Grip	1
18	941657015	Mix Ratio Label	1
19	941705027	Logo Label	1
20	534936001	Spark Plug Cover	1
21	660629002	Screw (10-14 x 18 mm, T25 Torx Truss Hd. T.F.)	1
22	313783001	Fuel Tank Assembly w/Fuel Lines (Inc. Key No. 23-24)	1
23	310976001	Fuel Filter	1
24	310816015	Fuel Cap w/Tether	1



\* Standard Hardware Item — May Be Purchased Locally  
 \*\* Non-Reuseable Parts  
 \*\*\* Keys 13, 16, & 17 Must Be Changed Together



**RY38BP**

**PARTS LIST – FIGURE D**

KEY NO.	PART NO.	DESCRIPTION	QTY.
1	661600003	Screw (M5 x 14 mm, T25 Torx Soc. Hd.)	2
2	300748062	Muffler Assembly	1
3	639243005	**Exhaust Gasket	1
4	662805001	Square Nut (M5)	2
5	309893010	Short Block Assembly	1
6	903036003	**Cylinder Gasket	1
7	660613003	Cap Screw (M5 x 20 mm, T25 Torx Soc. Hd.)	4
8	690688001	Woodruff Key	1
9	314620001	Flywheel Assembly (Inc. Key No. 8)	1
10	690689001	Hex Nut (M8 x 1.0, Flanged)	1
11	309266005	Ignition Module	1
12	660344001	Screw w/Washers (M5 x 20, T20 Torx Pan Hd.)	2
13	314621001	***Top End Engine Kit	1
14	903279003	**Gasket (Heat Dam to Cylinder)	1
15	870174002	*Spark Plug (L7RTC)	1
16	534914001	***Heat Dam	1

KEY NO.	PART NO.	DESCRIPTION	QTY.
17	660349001	***Screw w/Washers (M4 x 22 mm, T25 Torx Soc. Hd.)	2
18	900711015	**Gasket (Carburetor to Heat Dam)	1
19	308054129	Carburetor Assembly (Inc. Key No. 24)	1
20	561635002	Purge Bulb	1
21	591442002	Choke Lever	1
22	527989002	Air Box Base	1
23	678515015	Compression Limiter	2
24	590946007	Choke Plate	1
25	660345001	Screw (M4 x 12 mm, T20 Torx Pan Hd. T.F.)	1
26	660347003	Screw (M5 x 45 mm, T25 Torx Soc. Hd.)	2
27	560873001	Air Filter	1
28	314622001	Air Box Cover w/Labels (Inc. Key No. 28-29)	1
29	941657016	Starting Instructions Label	1
30	941657014	Choke Label	1
	<b>Not Shown:</b>		
	120900309	High Altitude Kit	

\* Standard Hardware Item — May Be Purchased Locally  
 \*\* Non-Reuseable Parts  
 \*\*\* Keys 13, 16, & 17 Must Be Changed Together