

## PB270L10-2 BATH FAN W/ 2X LED

Item no. 44945

Document type: **Product card**

Document date: **2017-01-03**

Generated by: **Systemair Online Catalogue**



### Description

- Powerful, efficient 270 cfm fan with LED lights
- Remote mount fan ensures quiet operation
- One fan, two grille locations

### Application

Dual grille Premium Bath fans can effectively ventilate two areas of the bath or two different bathrooms. Small 7" ceiling grilles (with or without lights) can be easily positioned directly over showers, whirlpool tubs, steam showers, toilet or vanity. The fan motor is installed away from the living area for super quiet operation. PB fans are designed for intermittent or continuous operation to meet **ASHRAE Standard 62.2**.

### Model

270 cfm fan, two ceiling grille with lights and two grille housings with dampers. Two 10W dimmable LED bulbs. Uses 4" and 6" flexible ducts. UL listed for wet locations. ENERGY STAR®.

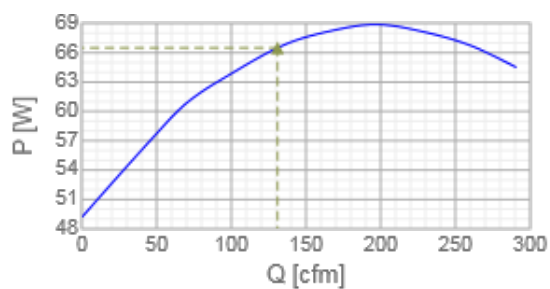
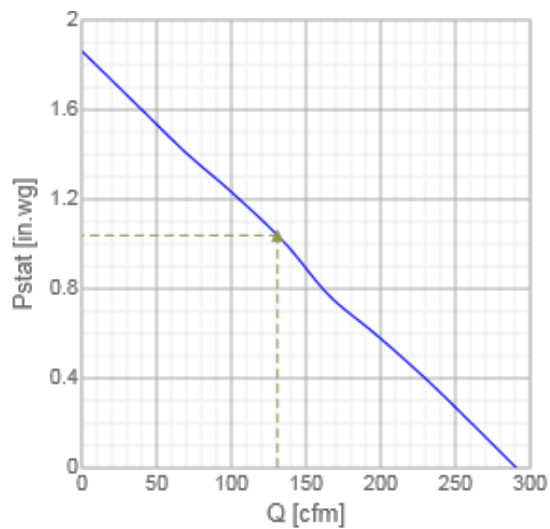


### Technical parameters

Nominal data	
Voltage	120 V
Frequency	60 Hz
Phase	1 ~
Input power (P1)	68.9 W
Current	0.58 A
Max. airflow	290 cfm
Fan impeller speed	2582 r.p.m.
Weight	19 lbs.
Temperature data	
Max. temperature of transported air	140 °F
Protection / Classification	
Insulation class	B
Enclosure class, motor	IP44 IP

### Performance

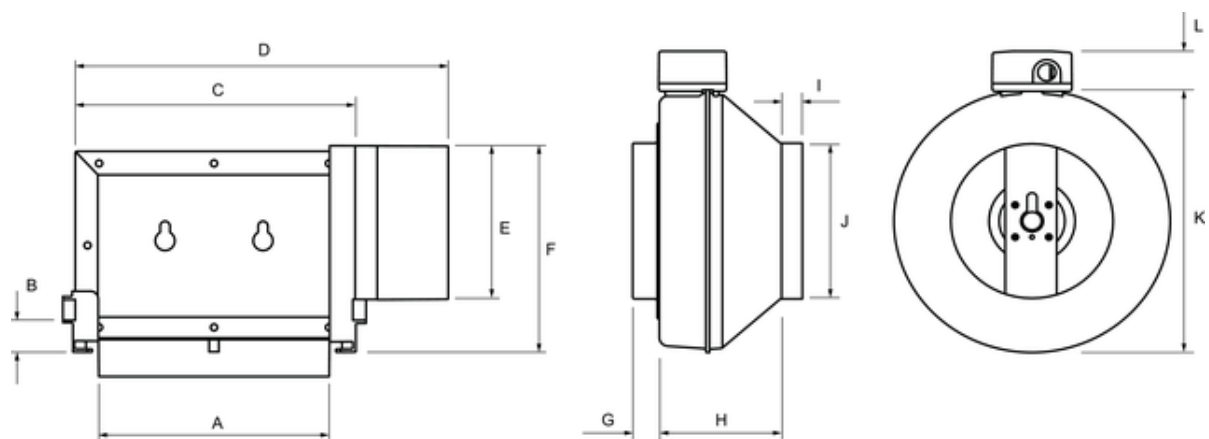
### Diagrams



#### Hydraulic data

	Working point						
	Q [cfm]	Ps [in.wg]	P [W]	n [r.p.m.]	I [A]	SFP [W/(cfm)]	U [V]
Max efficiency	131	1.04	66.5	2675	0.557	2.28	120

#### Dimensions



Model	A	B	C	D	E	F	G	H	I	J	K	L
PB 270-2												
PB 270H-2	5 15/16 (151)	3/4 (19)	7 3/8 (187)	9 3/4 (248)	4 (101)	5 3/8 (137)	1 (25)	6 1/4 (159)	7/8 (22)	6 (152)	11 3/8 (289)	2 1/2 (64)
PB 270L7-2												
PB 270L10-2												

Dimensions in inches (mm)

#### Accessories

##### Electric accessories


- FD60EM Electronic Timer Switch (411386)
- FLD 60 Light/Fan Switch (411388)
- VT20A Pgrm Fan Aux Ctrl (45385)
- VT20M Pgrm Fan Main Ctrl (45386)

### Accessories

- RC6 Roof Cap (411312)
- FIDT 4 Insulated Flex Duct (411061)
- FIDT 6 Insulated Flex Duct (411064)
- HS 6W External Louver Exhaust (45153)

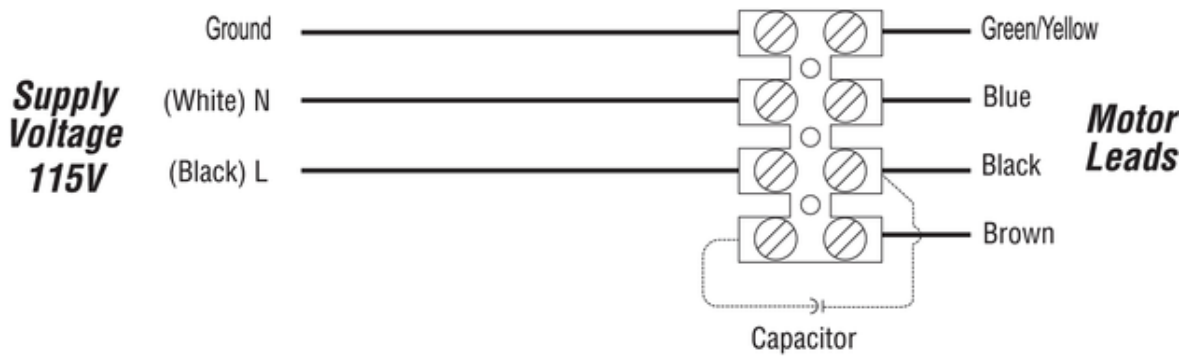
### Documentation

 484089 PB Series OIPM EN FR ES.pdf (2,04MB)

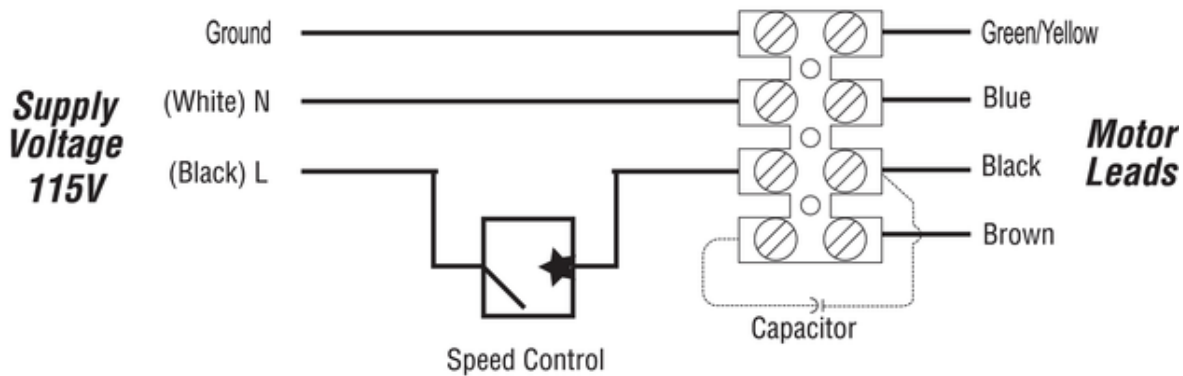
 E1575 Ventilation Solutions Bathroom.pdf (9,92MB)

### Wiring

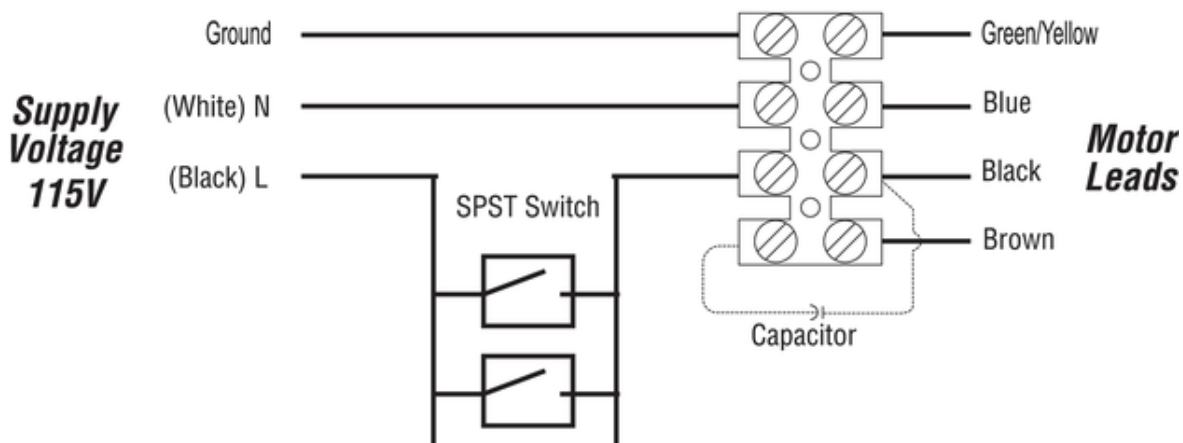
## Without Speed Control

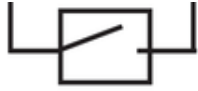


## Speed Control



## Multiple Location Switching





Multiple location switching