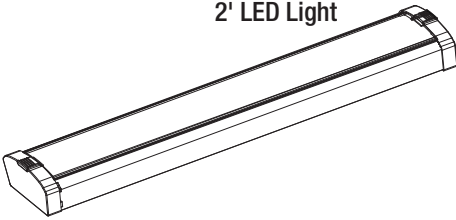


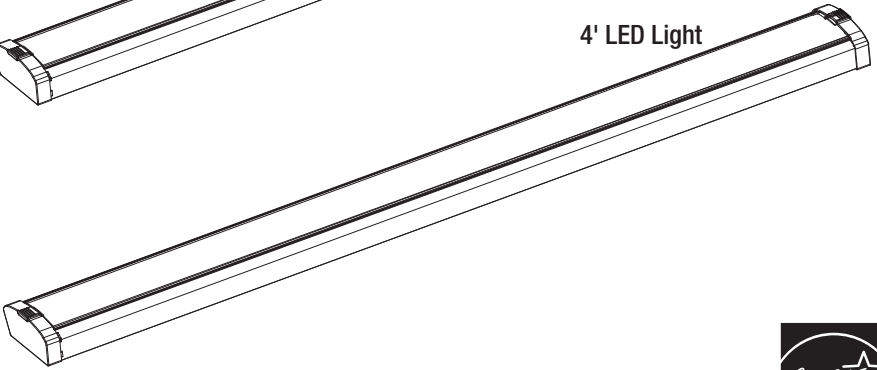
USE AND CARE GUIDE

LED WHITE LENS WRAP LIGHT

2' LED Light



4' LED Light



Questions, problems, missing parts? Before returning to the store,
call Commercial Electric Customer Service
8 a.m. - 7 p.m., EST, Monday - Friday, 9 a.m. - 6 p.m., EST, Saturday

1-877-527-0313

HOMEDEPOT.COM


THANK YOU


We appreciate the trust and confidence you have placed in Commercial Electric through the purchase of this LED lens wrap light. We strive to continually create quality products designed to enhance your home. Visit us online to see our full line of products available for your home improvement needs. Thank you for choosing Commercial Electric!


Table of Contents


Safety Information	2	Junction Box Installation	4
Warranty.....	2	Keyhole Installation	6
Pre-Installation.....	3	Care and Cleaning	9
Planning Installation	3	Troubleshooting	9
Tools Required	3		
Hardware Included.....	3		
Package Contents	3		

Safety Information

 **WARNING:** Carefully read and understand this manual before beginning the assembly and installation. Failure to do so could lead to electric shock, fire, or other injuries which could be hazardous or even fatal.

 **WARNING:** Before beginning the installation, disconnect the power to the circuit by turning off the circuit breaker or removing the fuse.

 **WARNING:** Risk of fire or electric shock. Installation requires a person familiar with the construction and operation of the light fixture's/luminaire's electrical system and the hazard involved. If not qualified, do not attempt installation. Contact a qualified electrician.

 **IMPORTANT:** Changes or modifications not expressly approved by the party responsible for compliance could void the user's authority to operate the equipment.

NOTICE: This equipment has been tested and found to comply with the limits for a Class B digital device, pursuant to Part 15 of the FCC Rules. These limits are designed to provide reasonable protection against harmful interference in a residential installation. This equipment generates, uses and can radiate radio frequency energy and, if not installed and used in accordance with the instructions, may cause harmful interference to radio communications.

However, there is no guarantee that interference will not occur in a particular installation. If this equipment does cause harmful interference to radio or television reception, which can be determined by turning the equipment off and on, the user is encouraged to try to correct the interference by one or more of the following measures:

- Reorient or relocate the receiving antenna.
- Increase the separation between the equipment and the receiver.
- Connect the equipment into an outlet on a circuit different from that to which the receiver is connected.
- Consult the dealer or an experienced radio/TV technician for help.

Warranty

WHAT IS COVERED

The manufacturer warrants this lighting fixture to be free from defects in materials and workmanship for a period of five (5) years from date of purchase. This warranty applies only to the original consumer purchaser and only to products used in normal use and service. If this product is found to be defective, the manufacturer's only obligation, and your exclusive remedy, is the repair or replacement of the product at the manufacturer's discretion, provided that the product has not been damaged through misuse, abuse, accident, modifications, alterations, neglect, or mishandling.

WHAT IS NOT COVERED

This warranty shall not apply to any product that is found to have been improperly installed, set-up, or used in any way not in accordance with the instructions supplied with the product. This warranty shall not apply to a failure of the product as a result of an accident, misuse, abuse, negligence, alteration, faulty installation, or any other failure not relating to faulty material or workmanship. This warranty shall not apply to the finish on any portion of the product, such as surface and/or weathering, as this is considered normal wear and tear.

The manufacturer does not warrant and specifically disclaims any warranty, whether express or implied, of fitness for a particular purpose, other than the warranty contained herein. The manufacturer specifically disclaims any liability and shall not be liable for any consequential or incidental loss or damage, including but not limited to any labor / expense costs involved in the replacement or repair of said product.

Contact the Customer Service Team at 1-877-527-0313 or visit www.HomeDepot.com.

Pre-Installation

PLANNING INSTALLATION

Before beginning assembly, installation, or operation of the product, make sure all parts are present. Compare parts with the package contents list. If any part is missing or damaged, do not attempt to assemble, install, or operate the product. Contact customer service for replacement parts.



NOTE: Keep your receipt and these instructions for proof of purchase.

If you are unfamiliar with electrical installations, we recommend you contact a qualified electrician to do the installation.



NOTE: Two people are recommended for the installation of this light fixture.

TOOLS REQUIRED



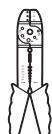
Phillips screwdriver



Ladder



Safety glasses



Wire strippers



Wire cutters



Power drill with drill bits

HARDWARE INCLUDED

Part	Description	Quantity
AA	Phillips head junction box machine screws	2
BB	Wire nuts	1
CC	Phillips head wood screws	4
DD	Dry wall anchors	4



AA



BB



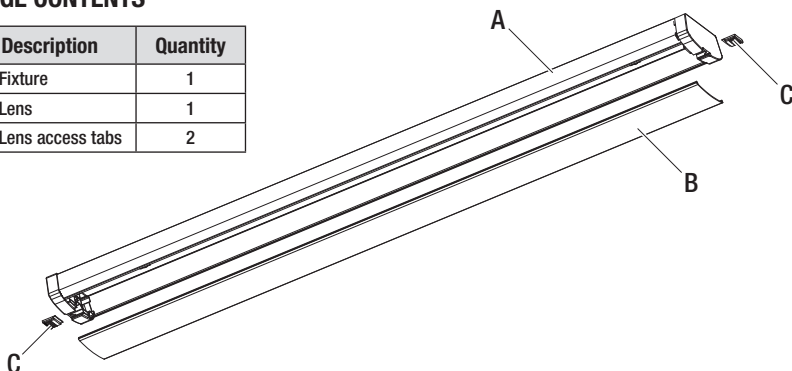
CC



DD

PACKAGE CONTENTS

Part	Description	Quantity
A	Fixture	1
B	Lens	1
C	Lens access tabs	2



Pre-Installation (continued)

Select a suitable location that can support the weight of the fixture. Determine the method of mounting before drilling.



WARNING: RISK OF ELECTRIC SHOCK. Ensure the electricity to the wires you are working on is shut off. Either remove the fuse or turn off the circuit breaker before removing the existing light fixture or installing the new one.

With power disconnected to your electrical box, remove the existing fixture. Make a sketch of how the current fixture is wired (by wire color) or mark the wires with masking tape and a pencil so you will know how to properly reconnect the wires to the new LED light fixture.



CAUTION: Before beginning installation turn off the circuit breaker and light switch.

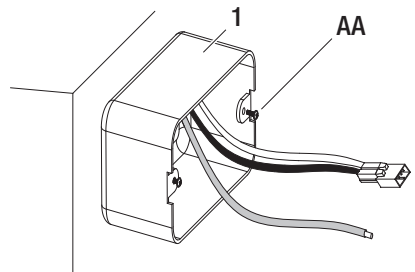
Junction Box Installation

1 Installing the screws

- Install the two screws (AA) into the junction box (1).

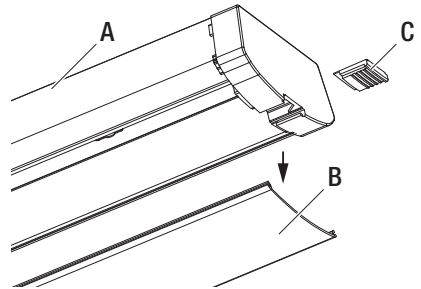


NOTE: Leave 1/4" of screw thread exposed to accommodate the fixture base.



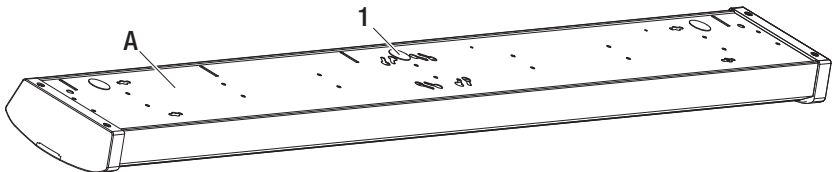
2 Removing the lens

- Remove the lens (B) from the fixture (A) by sliding the lens access tabs (C) out from the end caps of the fixture (A)
- Gently lift and remove the lens (B) from where the lens access tab was removed.



3 Removing the knockout

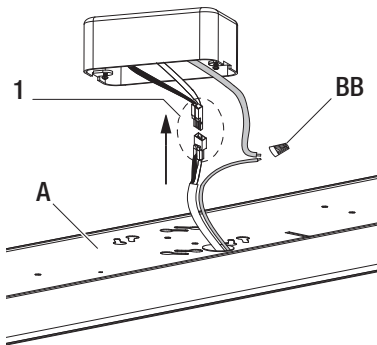
- Use a screwdriver to remove the pre-punched knockout (1) at the center of the fixture (A) and feed the cables through the knockout hole.



Junction Box Installation (continued)

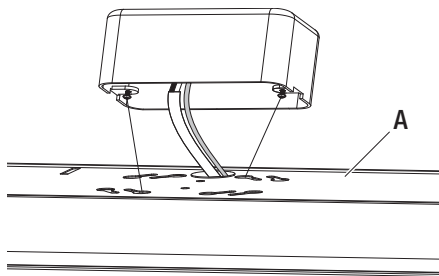
4 Wiring the fixture

- Before wiring, temporarily connect the male and female quick connectors (1) to determine the placement of the black and white power supply wires. Then, separate the quick connectors. At the junction box, push the black power supply wire into the connection slot on the female quick connect on the side that will marry to the black side of the male quick connect. Push the white wire into the remaining slot.
- On the fixture (A), remove the wire sheathing from the end of the green wires in order to expose the copper wires. Twist the green wire to the corresponding ground wires (GREEN to GREEN) in the junction box and secure using the included wire nut (BB).
- Reconnect the male and female quick connects ensuring they are firmly seated.
- OPTIONAL: Wrap connected wire nuts with electrical tape.



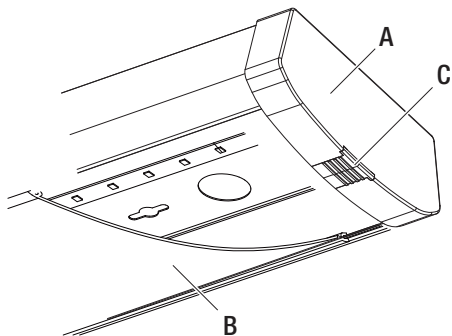
5 Attaching the fixture

- Attach the fixture (A) to the junction box by aligning the holes on the fixture (A) with the screws on the junction box.
- Turn the fixture clockwise to lock in place and tighten the screws to ensure the fixture is secure and will not move.



6 Attaching the lens

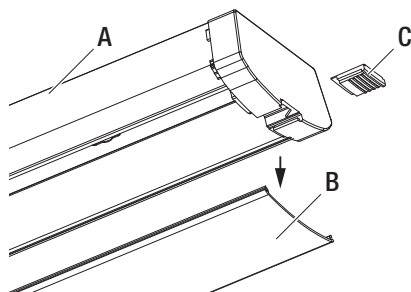
- Starting at one end of the fixture (A), insert the lens (B) into the slot on the edge of the fixture.
- Carefully squeeze the lens (B) to engage the opposite side with the fixture (A).
- Continue this action down the length of the lens (B), until fully installed into the fixture (A).
- Replace the lens access tabs (C).



Keyhole Installation

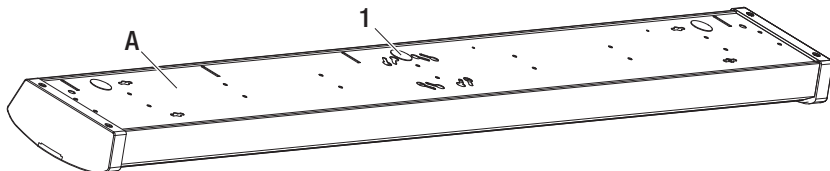
1 Removing the lens

- Remove the lens (B) from the fixture (A) by sliding the lens access tabs (C) out from the end caps of the fixture (A)
- Gently lift and remove the lens (B) from where the lens access tab was removed.



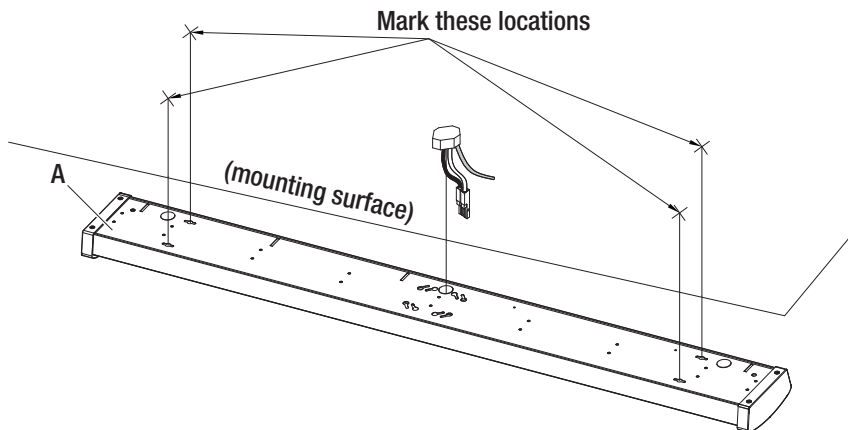
2 Removing the knockout

- Use a screwdriver to remove the pre-punched knockout (1) at the center of the fixture (A) and feed the cables through the knockout hole.



3 Positioning the fixture

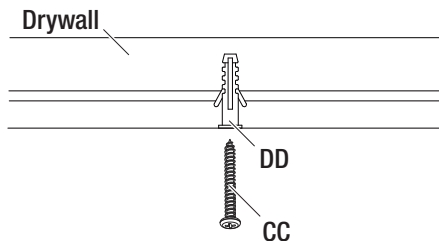
- Position the fixture (A) to align the knockout hole with the supply wire location while marking the location of the four keyhole slots at each end of the housing.



Keyhole Installation (continued)

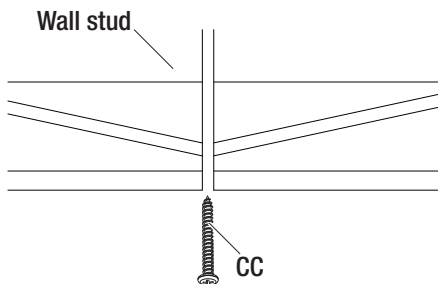
4 Mounting the fixture through drywall

- If the mounting holes go through drywall without a stud, drill a small pilot hole with 1/8" drill bit (not included) and install wall anchors (DD) into the holes with a hammer (not included). Install the four wood screws (CC) into the mounting surface, leaving an approximate 3/8" gap between the screw head and the mounting surface.



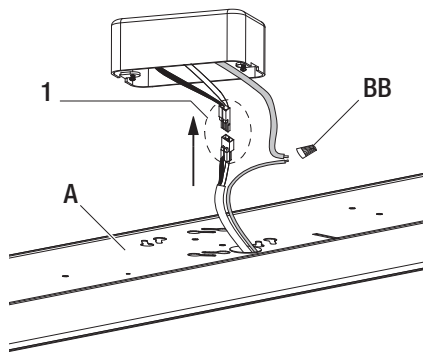
5 Mounting the fixture to a wall stud

- If the mounting holes align with wall studs, drill a pilot hole using a 5/32" drill bit (not included) for the wood screws (CC).
- Install the four wood screws (CC) into the mounting surface leaving an approximate 3/8" gap between the screw head and mounting surface.



6 Connecting the wires

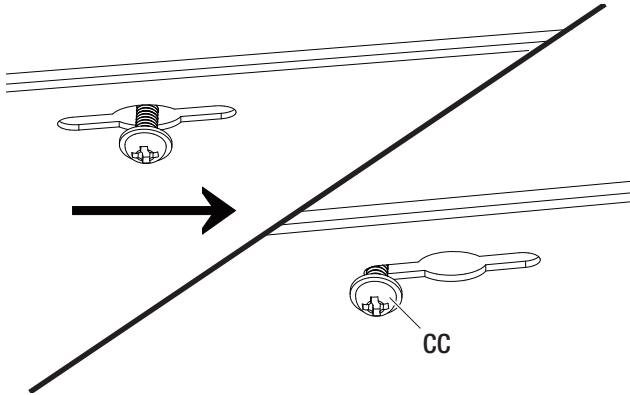
- Before wiring, temporarily connect the male and female quick connectors (1) to determine the placement of the black and white power supply wires. Then, separate the quick connectors. At the junction box, push the black power supply wire into the connection slot on the female quick connect on the side that will marry to the black side of the male quick connect. Push the white wire into the remaining slot.
- On the fixture (A), remove the wire sheathing from the end of the green wires in order to expose the copper wires. Twist the green wire to the corresponding ground wires (GREEN to GREEN) in the junction box and secure using the included wire nut (BB).
- Reconnect the male and female quick connects ensuring they are firmly seated.
- OPTIONAL: Wrap connected wire nuts with electrical tape.



Keyhole Installation (continued)

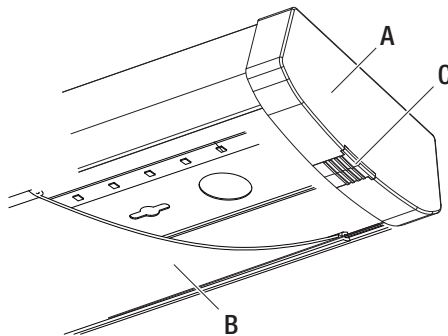
7 Attaching the fixture

- Hide the wires in the junction box and guide the heads of the four wood screws (CC) into the keyhole slots.
- Slide the fixture (A) so that the wood screw heads (CC) rest over the narrow part of the keyhole slot.
- Ensure that the fixture (A) is supported and tighten the four wood screws (CC) until the fixture is secured to the mounting surface.



8 Attaching the lens

- Starting at one end of the fixture (A), insert the lens (B) into the slot on the edge of the fixture.
- Carefully squeeze the lens (B) to engage the opposite side with the fixture (A).
- Continue this action down the length of the lens (B), until fully installed into the fixture (A).
- Replace the lens access tabs (C).



Care and Cleaning



CAUTION: Before attempting to clean the fixture, disconnect the power to the fixture by turning the breaker off or removing the fuse from the fuse box.

- Clean the fixture with a soft, dry cloth.
- Do not use cleaners with chemicals, solvents, or harsh abrasives.
- Do not use liquid cleaner on the LEDs, LED driver, or wiring inside the light fixture.

Troubleshooting



WARNING: Before doing any work on the fixture, disconnect power to the light fixture.

Problem	Possible Cause	Solution
The fixture will not light.	The power is off.	Ensure the power supply is on.
	The circuit breaker is off.	Ensure the circuit breaker is in the on position.
	There is a bad connection.	Check to ensure proper wire connections are made. Contact a qualified electrician.
	There is a defective switch.	Contact a qualified electrician.
The fuse blows or the circuit breaker trips when the light is turned on.	The wires are crossed or the power wire is grounding out.	Check the wire connections. Contact a qualified electrician or call Commercial Electric customer service 1-877-527-0313.



Questions, problems, missing parts? Before returning to the store,
call Commercial Electric Customer Service
8 a.m. - 7 p.m., EST, Monday-Friday, 9 a.m. - 6 p.m., EST, Saturday

1-877-527-0313

HOMEDEPOT.COM

Retain this manual for future use.