

# Installing Stainless Steel Wall Bracket Square

## Overview<sup>1</sup>

These are instructions for proper installation of a Stainless Steel Wall Bracket Square, HBWA.008, into sheetrock, wood, or drywall surfaces

This bracket comes with a saddle for both flat and round tubing and a wall bracket screw/hanger bolt

Brackets should be installed with a maximum distance of 4'

**Caution:**

Wear protective ANSI approved safety glasses, working gloves and breathing mask at all times

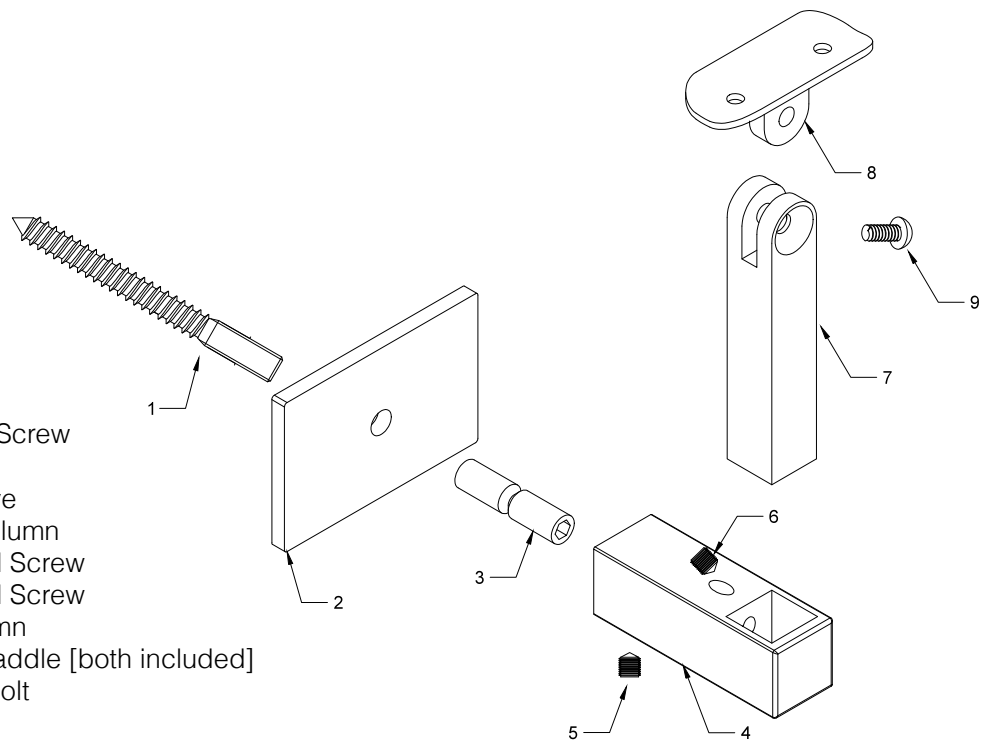


## Tools Required

- 1) Stud-finder
- 2) Handheld Drill
- 3) 3/16"-1/4" Drill Bit
- 4) 13mm Wrench
- 5) 4mm Hex Wrench
- 6) 2.5mm
- 7) Hex Wrench

**HBWA.008**

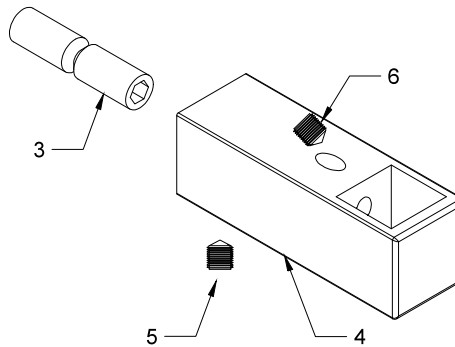
- 1: Wall Bracket Screw
- 2: Wall Flange
- 3: Internal Sleeve
- 4: Horizontal Column
- 5: Pointed Head Screw
- 6: Pointed Head Screw
- 7: Vertical Column
- 8: Round/Flat Saddle [both included]
- 9: Connection Bolt



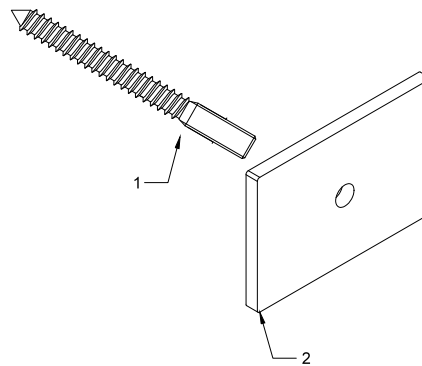
<sup>1</sup> This document includes hyperlinks and is intended to be viewed as a PDF file rather than print material

## Instructions

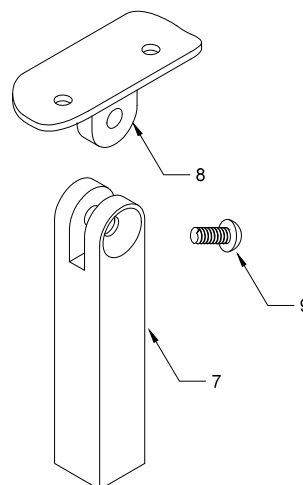
- 1) Using a stud finder, locate a stud and spot drill using 3/16" drill bit (this is true for wood or steel/metal stud)
- 2) Loosen the 2.5mm hex screw enough on the underside of the main horizontal column to clear a few threads; a small internal sleeve (#5) will be released



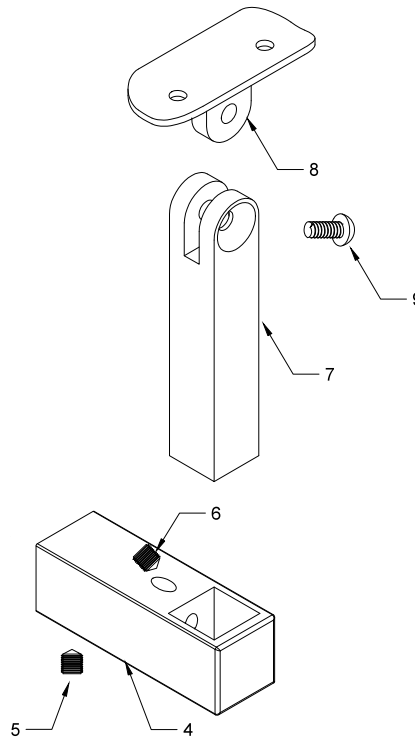
- 3) Place the wall flange over the machine threaded end of the wall bracket screw and use fingers to tighten



- 4) Drive assembled screw and flange into the wall; secure the lag end of the stud with a 4mm hex wrench
- 5) Position the flat or round saddle onto the vertical column, and tighten the connection bolt with a 4mm hex wrench to secure the saddle



- 6) Back out the pointed screw on the underside of the horizontal column with a 2.5mm wrench, then insert the assembled vertical column into the open square of the horizontal column to the desired height and tighten



- 7) Slide the complete main assembly onto the mounted sleeve, adjust to your desired angle and tighten the 2.5mm screw with a hex wrench
- 8) [Refer to these instructions to install Inline Design square or round tubing and additional hardware](#)

---

*NOTE: A small amount of surface corrosion is not uncommon after some exposure to weather or salty conditions; we recommend using our [passivation solution](#) or a stainless steel polish to prevent surface corrosion; more information available [on our Engineering Specs Page](#)*