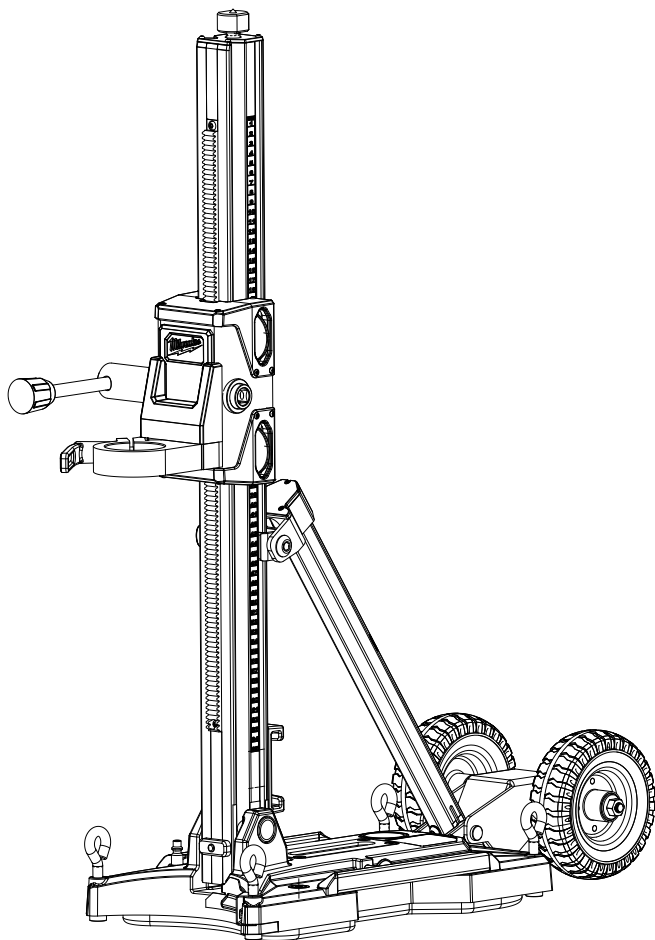




OPERATOR'S MANUAL
MANUEL de L'UTILISATEUR
MANUAL del OPERADOR



Cat. No. / No de cat.
3000

COMPACT CORE DRILL STAND
SUPPORT DE FORET DE NOYAU COMPACT
SOPORTE DE TALADRO DE NÚCLEO COMPACTO



WARNING To reduce the risk of injury, user must read and understand operator's manual.

AVERTISSEMENT Afin de réduire le risque de blessures, l'utilisateur doit lire et bien comprendre le manuel.

ADVERTENCIA Para reducir el riesgo de lesiones, el usuario debe leer y entender el manual.

GENERAL POWER TOOL SAFETY WARNINGS

⚠WARNING Read all safety warnings, instructions, illustrations and specifications provided with this power tool. Failure to follow all instructions listed below may result in electric shock, fire and/or serious injury. **Save all warnings and instructions for future reference.** The term "power tool" in the warnings refers to your mains-operated (corded) power tool or battery-operated (cordless) power tool.

WORK AREA SAFETY

- **Keep work area clean and well lit.** Cluttered or dark areas invite accidents.
- **Do not operate power tools in explosive atmospheres, such as in the presence of flammable liquids, gases or dust.** Power tools create sparks which may ignite the dust or fumes.
- **Keep children and bystanders away while operating a power tool.** Distractions can cause you to lose control.

ELECTRICAL SAFETY

- **Power tool plugs must match the outlet. Never modify the plug in any way. Do not use any adapter plugs with earthed (grounded) power tools.** Unmodified plugs and matching outlets will reduce risk of electric shock.
- **Avoid body contact with earthed or grounded surfaces, such as pipes, radiators, ranges and refrigerators.** There is an increased risk of electric shock if your body is earthed or grounded.
- **Do not expose power tools to rain or wet conditions.** Water entering a power tool will increase the risk of electric shock.
- **Do not abuse the cord. Never use the cord for carrying, pulling or unplugging the power tool. Keep cord away from heat, oil, sharp edges or moving parts.** Damaged or entangled cords increase the risk of electric shock.
- **When operating a power tool outdoors, use an extension cord suitable for outdoor use.** Use of a cord suitable for outdoor use reduces the risk of electric shock.
- **If operating a power tool in a damp location is unavoidable, use a ground fault circuit interrupter (GFCI) protected supply.** Use of an GFCI reduces the risk of electric shock.

PERSONAL SAFETY

- **Stay alert, watch what you are doing and use common sense when operating a power tool. Do not use a power tool while you are tired or under the influence of drugs, alcohol or medication.** A moment of inattention while operating power tools may result in serious personal injury.
- **Use personal protective equipment. Always wear eye protection.** Protective equipment such as a dust mask, non-skid safety shoes, hard hat or hearing protection used for appropriate conditions will reduce personal injuries.
- **Prevent unintentional starting. Ensure the switch is in the off-position before connecting to power source and/or battery pack, picking up or carrying the tool.** Carrying power tools with your finger on the switch or energizing power tools that have the switch on invites accidents.
- **Remove any adjusting key or wrench before turning the power tool on.** A wrench or a key left attached to a rotating part of the power tool may result in personal injury.
- **Do not overreach. Keep proper footing and balance at all times.** This enables better control of the power tool in unexpected situations.

- **Dress properly. Do not wear loose clothing or jewelry. Keep your hair and clothing away from moving parts.** Loose clothes, jewelry or long hair can be caught in moving parts.
- **If devices are provided for the connection of dust extraction and collection facilities, ensure these are connected and properly used.** Use of dust collection can reduce dust-related hazards.
- **Do not let familiarity gained from frequent use of tools allow you to become complacent and ignore tool safety principles.** A careless action can cause severe injury within a fraction of a second.

POWER TOOL USE AND CARE

- **Do not force the power tool. Use the correct power tool for your application.** The correct power tool will do the job better and safer at the rate for which it was designed.
- **Do not use the power tool if the switch does not turn it on and off.** Any power tool that cannot be controlled with the switch is dangerous and must be repaired.
- **Disconnect the plug from the power source and/ or remove the battery pack, if detachable, from the power tool before making any adjustments, changing accessories, or storing power tools.** Such preventive safety measures reduce the risk of starting the power tool accidentally.
- **Store idle power tools out of the reach of children and do not allow persons unfamiliar with the power tool or these instructions to operate the power tool.** Power tools are dangerous in the hands of untrained users.
- **Maintain power tools and accessories. Check for misalignment or binding of moving parts, breakage of parts and any other condition that may affect the power tool's operation. If damaged, have the power tool repaired before use.** Many accidents are caused by poorly maintained power tools.
- **Keep cutting tools sharp and clean.** Properly maintained cutting tools with sharp cutting edges are less likely to bind and are easier to control.
- **Use the power tool, accessories and tool bits etc. in accordance with these instructions, taking into account the working conditions and the work to be performed.** Use of the power tool for operations different from those intended could result in a hazardous situation.
- **Keep handles and grasping surfaces dry, clean and free from oil and grease.** Slippery handles and grasping surfaces do not allow for safe handling and control of the tool in unexpected situations.

BATTERY TOOL USE AND CARE

- **Recharge only with the charger specified by the manufacturer.** A charger that is suitable for one type of battery pack may create a risk of fire when used with another battery pack.
- **Use power tools only with specifically designated battery packs.** Use of any other battery packs may create a risk of injury and fire.
- **When battery pack is not in use, keep it away from other metal objects, like paper clips, coins, keys, nails, screws or other small metal objects, that can make a connection from one terminal to another.** Shorting the battery terminals together may cause burns or a fire.
- **Under abusive conditions, liquid may be ejected from the battery; avoid contact. If contact accidentally occurs, flush with water. If liquid contacts eyes, additionally seek medical help.** Liquid ejected from the battery may cause irritation or burns.
- **Do not use a battery pack or tool that is damaged or modified.** Damaged or modified batteries may exhibit unpredictable behavior resulting in fire, explosion or risk of injury.

- **Do not expose a battery pack or tool to fire or excessive temperature.** Exposure to fire or temperature above 265°F (130°C) may cause explosion.
- **Follow all charging instructions and do not charge the battery pack or tool outside the temperature range specified in the instructions.** Charging improperly or at temperatures outside the specified range may damage the battery and increase the risk of fire.

SERVICE

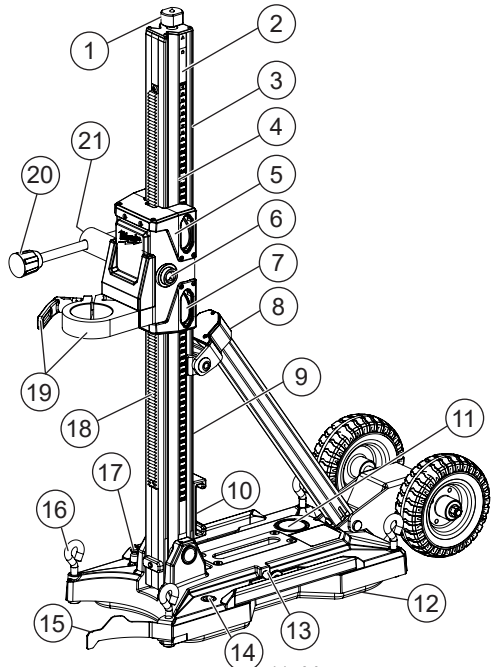
- **Have your power tool serviced by a qualified repair person using only identical replacement parts.** This will ensure that the safety of the power tool is maintained.
- **Never service damaged battery packs.** Service of battery packs should only be performed by the manufacturer or authorized service providers.

SPECIFIC SAFETY RULES FOR CORE DRILL STAND

- **Hold the power tool by insulated gripping surfaces, when performing an operation where the cutting accessory or fasteners may contact hidden wiring.** Cutting accessory or fasteners contacting a "live" wire may make exposed metal parts of the power tool "live" and could give the operator an electric shock.
- **Always secure the stand to the work surface to help prevent personal injury and to protect the stand. Do not rely on the weight of the stand, shoring pin alone or body weight on the stand for securing during use.** An unsecured stand could rotate during coring and possibly cause injury. Never rely on the shoring pin alone for securing.
- **When securing the drill stand with anchors and fasteners to the workpiece, ensure that the anchoring used is capable of holding and restraining the machine during use.** If the workpiece is weak or porous, the anchor may pull out causing the drill stand to release from the workpiece.
- **When securing the drill stand using the vacuum gaskets on the workpiece with a vacuum pump, install the stand on a smooth, clean, non-porous surface. Do not secure to laminated surfaces such as tiles and composite coating.** If the workpiece is not smooth, flat or well affixed, the pad may pull away from the workpiece.
- **Ensure there is sufficient vacuum before and during drilling.** If the vacuum is insufficient, the pad may release from the workpiece.
- **Never perform drilling with the machine secured by the vacuum pad only, except when drilling downwards.** If the vacuum is lost, the pad will release from the workpiece.
- **When drilling through walls or ceilings, protect persons and the work area on the other side.** The bit may extend through the hole or the core may fall out on the other side.
- **To reduce the risk of injury, always wear proper eye protection marked to comply with ANSI Z87.1.**
- **Wear ear protectors when diamond drilling.** Exposure to noise can cause hearing loss.
- **AWARNING** To reduce the risk of injury in applications that produce a considerable amount of dust, use an OSHA compliant dust extraction solution in accordance with the solution's operating instructions.
- **Follow all instructions and warnings provided with the core drill and accessories.** Only use a core drill and accessories specifically recommended for this tool. Others may be hazardous.
- **Always use common sense and be cautious when using tools.** It is not possible to anticipate every situation that could result in a dangerous outcome.

- **Do not use this tool if you do not understand these operating instructions or you feel the work is beyond your capability;** contact Milwaukee Tool or a trained professional for additional information or training.
- **Maintain labels and nameplates.** These carry important information. If unreadable or missing, contact a MILWAUKEE service facility for a free replacement.
- **AWARNING** Some dust created by power sanding, sawing, grinding, drilling, and other construction activities contains chemicals known to cause cancer, birth defects or other reproductive harm. Some examples of these chemicals are:
 - lead from lead-based paint
 - crystalline silica from bricks and cement and other masonry products, and
 - arsenic and chromium from chemically-treated lumber.
 Your risk from these exposures varies, depending on how often you do this type of work. To reduce your exposure to these chemicals: work in a well ventilated area, and work with approved safety equipment, such as those dust masks that are specially designed to filter out microscopic particles.

FUNCTIONAL DESCRIPTION



- | | |
|------------------------------|-----------------------------|
| 1. Shoring pin | 11. Vacuum gauge |
| 2. Mast | 12. Gaskets |
| 3. Angle gauge (on back) | 13. Vacuum release pin |
| 4. Depth gauge | 14. 360° Level |
| 5. Carrier assembly | 15. Center pointer |
| 6. Feed handle location | 16. Eye bolts (4) |
| 7. Carrier wheels (4) | 17. Vacuum coupler |
| 8. Angle brace with handle | 18. Rack |
| 9. Bubble level (on back) | 19. Mount plate with handle |
| 10. MX FUEL™ battery storage | 20. Feed handle |
| | 21. Feed handle button |

SPECIFICATIONS

Cat. No.	3000
Vacuum Pump.....	49-50-0200
Gasket Kit.....	43-44-0019

SYMBOLLOGY



Read operator's manual



Always wear eye, hearing, and respirator protection



UL Listing for Canada and U.S.

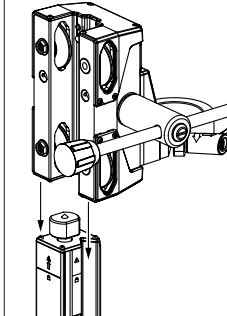
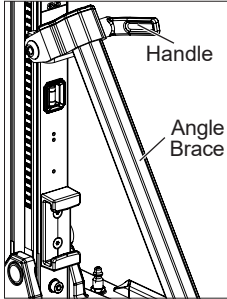
ASSEMBLY

Assembling Core Drill Stands

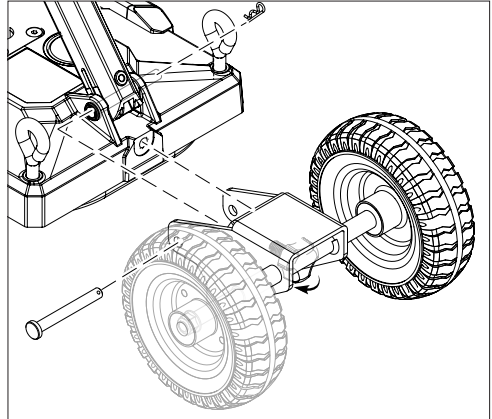
1. Set the base on the ground.
2. Raise the mast upright to the desired angle.
3. Tighten the angle brace handle securely. If handle cannot turn fully due to setup orientation, pull out the handle, rotate back, push in, tighten and repeat.
4. Slide carrier assembly onto the mast, matching carrier wheels with grooves in the mast.

NOTE: Over time, the carrier assembly may become loose and need to be tightened (see "Adjusting Carrier Assembly" in the Maintenance section)

5. Press in the feed handle button and insert the feed handle into one of the handle locations. Release the button. Ensure the handle clicks into place.
6. Turn the feed handle to lower or raise the carrier. When the carrier is fully raised, it can be lifted off of the mast.



Attaching Wheel Assembly (Optional)



1. Set the base on the ground upright.
2. Align holes in wheel base to the back of the stand, as shown.
3. Insert the bolt through the holes connecting the wheel assembly to the base and insert cotter pin through the hole in the end of the bolt.
4. Tighten the knob screw in back end of wheel assembly securely.

Mounting the Core Drill to the Stand

WARNING To reduce the risk of injury, always unplug drill or remove battery before installing the drill.

Use a MILWAUKEE MX FUEL™ Core Drill with this stand.

1. To mount the drill, loosen the mount plate handle.
2. Place core drill, spindle-down, into the mount plate.
3. Hand tighten the mount plate handle. If the core drill prevents the mount plate handle from fully rotating, pull out the handle, rotate back, push in, tighten and repeat.
4. After the core drill is mounted, ensure the carrier is rigid against the mast. A loose carrier can allow the drill or bit to wobbling during coring. Wiggle the drill front to back and side to side. If it moves, tighten the mount plate. If the drill continues to feel loose, see "Adjusting Carrier Assembly" in the Maintenance section for more information.
5. To remove drill, loosen the mount plate handle and pull the drill away from the stand.

OPERATION

⚠WARNING To reduce the risk of injury, always wear proper eye protection marked to comply with ANSI Z87.1.

When working in dusty situations, wear appropriate respiratory protection or use an OSHA compliant dust extraction solution.

Methods for Securing Equipment to Work Surface

⚠WARNING To reduce the risk of injury always secure the stand to the work surface to help prevent personal injury and to protect the stand. An unsecured stand could rotate during coring and possibly cause injury. Never rely on the shoring pin alone for securing.

Always make sure the stand is rigidly mounted with an expansion-type anchor or vacuum system. **WARNING!** Do not rely on the weight of the stand, shoring pin alone, or body weight on the stand for securing during use. The stand will rotate and cause injury.

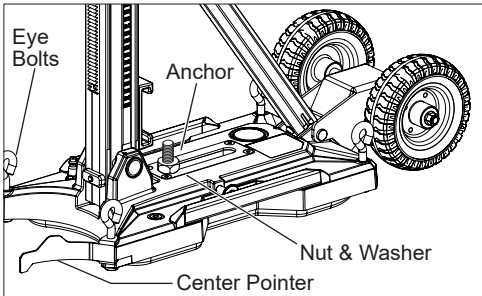
Any movement or vibration will shorten the life of the core bit. If the drill or bit moves, tighten down the mounting system. If the drill or bit continues to move, see "Adjusting Carrier Assembly" in the Maintenance section for more information.

Some building materials contain steel reinforcements. MILWAUKEE core drill bits can cut through embedded steel, but are not recommended for coring solid steel plates.

Using an Expansion-Type Anchor

For Vertical (Wall) or Horizontal (Floor) Coring

⚠WARNING When drilling through walls or ceilings, protect persons and the work area on the other side. The bit may extend through the hole or the core may fall out on the other side.



Expansion type anchors are the most rigid method and can be used for vertical (wall) and horizontal (floor) coring. Use a 5/8" or 3/4" expansion anchor with an integral threaded rod, washer, and nut (not included).

1. Locate the position of the expansion-type anchor by measuring out 10" to 14" from the center of the hole to be drilled.
2. Set your anchor according to the anchor manufacturer's instructions.
3. Set stand over the anchor, as shown. The anchor should extend through the slot in the center of the stand.
4. Put the washer and nut over the anchor and hand tighten.

5. Extend the center pointer and align it with the center of the hole to be drilled.
6. Tighten the anchor nut securely.
7. Retract the center pointer.

Assembling and Using a Vacuum System (Optional) For Horizontal (Floor) Coring

⚠WARNING To reduce the risk of injury always use an expansion-type anchor during vertical coring. Vacuum systems can slip when used on a vertical surface.

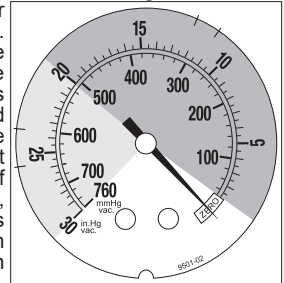
When securing the stand to the workpiece with a vacuum pump, install the stand on a smooth, clean, nonporous surface, such as poured concrete. Do not secure to laminated surfaces such as tiles and composite coating. If the workpiece is not smooth, flat, or well affixed, the gaskets may pull away from the workpiece, causing the stand to move. If the surface is too porous or rough, the vacuum may not hold securely or create a full seal.

Before using the vacuum:

- Always check the gaskets on the underside of the base for wear, cracks or tears. Immediately replace worn or damaged gaskets. To replace the gaskets, see "Replacing Vacuum Gaskets" in the "Maintenance" section.
 - Make sure the gauge is at 0" Hg.
1. Loosen the (4) eye bolts until the ends are above the bottom surface of the base.
 2. Extend the center pointer and align it with the center of the hole to be drilled.
 3. Set the vacuum pump off to the side on a dry surface away from the stand.
 4. Connect the vacuum hose to the vacuum coupler on the stand base, as recommended by the vacuum manufacturer.
 5. Plug in the vacuum pump and turn it on.
 6. Step/push down on the center of the base until it lowers and adheres to the work surface. If the stand does not seal, check the vacuum release pin to make sure there is no leakage around it.
 7. Continue to monitor the vacuum seal.

The vacuum gauge is used to ensure vacuum pressure is sufficient to hold stand in place. The vacuum gauge must read a minimum of 20" Hg (green zone), indicating there is sufficient vacuum pressure to sustain drilling. If the pointer is in the red zone (0"-20" Hg) there is insufficient vacuum pressure. **WARNING!** To reduce the risk of injury **DO NOT CORE** if the gauge reads less than 20" Hg.

8. Once the vacuum gauge reads 20"-30" Hg, use the four (4) eye bolts to level the stand. **WARNING!** Over-tightening can lift the gasket off the ground and release the vacuum. After leveling, check the vacuum gauge again.
9. To **release** the vacuum seal, turn off the vacuum pump and pull out the vacuum release pin.



▲WARNING To reduce the risk of injury always secure the stand to the work surface to help prevent personal injury and to protect the stand. An unsecured stand could rotate during coring and possibly cause injury. Never rely on the shoring pin alone for securing.

Using the Shoring Pin

For added rigidity when using an expansion-type anchor or vacuum system, use the shoring pin and a brace.

1. Secure the stand using either an expansion-type anchor or a vacuum system. **WARNING!** Never rely on the shoring pin alone for securing.
2. Use the four (4) eye bolts to level the stand.
3. Use pipe or wood (e.g., 4x4 piece of lumber) to brace stand between a sturdy structure and the top of the stand.
4. Tighten shoring pin against the brace to increase the stability of the stand.

Coring

▲WARNING To reduce the risk of injury, always wear proper eye protection marked to comply with ANSI Z87.1.

When working in dusty situations, wear appropriate respiratory protection or use an OSHA compliant dust extraction solution.

Follow all instructions and warnings provided with the core drill and accessories. Only use a core drill and accessories specifically recommended for this stand. Others may be hazardous.

When drilling through walls or ceilings, protect persons and the work area on the other side. The bit may extend through the hole or the core may fall out on the other side.

1. Secure the stand using an expansion-type anchor or a vacuum system.
2. Install the drill into the stand.
3. Use the four (4) eye bolts to level the stand.
4. Adjust the stand carrier up and install a bit.
5. Adjust the stand to the desired angle.
6. Ensure all adjustments are secure and the center pointer is retracted.
7. Turn on the machine according to the drill manufacturer's instructions.
8. Lower the drill into the workpiece using the feed handle and continue to drill according to drill and accessory manufacturers' instructions.
9. When done, use the feed handle to raise the bit clear of the hole and turn off the drill.

MAINTENANCE

▲WARNING To reduce the risk of injury, always remove the machine and all accessories before performing any maintenance. Contact a MILWAUKEE service facility for ALL repairs.

Maintaining Stand

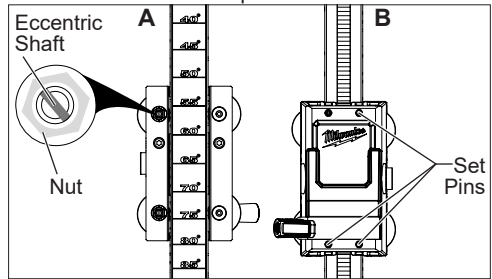
Start a regular maintenance program to keep your machines in good repair. Inspect your stand for issues such as undue noise, misalignment or binding of moving parts, breakage of parts, or any other condition that may affect the operation. Return to a MILWAUKEE service facility for repair.

Adjusting Carrier Assembly

Over time carrier assembly may become loose and need to be tightened.

1. Remove drill and all accessories. **WARNING!** Always remove the machine and all accessories before performing any maintenance.
2. When the carrier is loose from side to side, tighten the two eccentric shaft/nut assemblies (A).
 - a. Loosen the outer nut slightly.
 - b. Hand-tighten the eccentric shaft with a flat screwdriver to 1 to 5 in-lb.
 - c. Manually tighten the outer nut to 120 to 130 in-lb.
3. When the carrier is loose from front to back, tighten the four set pins (B). Use a 4 mm hex wrench to tighten the pins to 2.5 to 7 in-lb.

NOTE: Over-tightening the assembly will make the carrier difficult to move up and down.



Lubricating Rack

Maintain a light coat of MILWAUKEE Type "P" or "J" Grease on the rack to reduce friction and wear when the carrier is moved up and down.

Replacing Vacuum Gaskets

Through normal use, the rubber gaskets under the base can become worn, requiring replacement.

1. Remove drill and all accessories. **WARNING!** Always remove the machine and all accessories before performing any maintenance.
2. Tip the stand on its side.
3. Loosen the (4) eye bolts until the ends are above the bottom of the surface of the base.
4. Pull the old gaskets from the grooves and discard.
5. Place a new gasket (Cat. No. 43-44-0019) into both grooves and press firmly in place.
6. Place the stand upright and apply pressure to all edges to fully seat the gasket into the stand.

Cleaning

Keep handles clean, dry and free of oil or grease. Use only mild soap and a damp cloth to clean, since certain cleaning agents and solvents are harmful to plastics and other insulated parts. Some of these include gasoline, turpentine, lacquer thinner, paint thinner, chlorinated cleaning solvents, ammonia and household detergents containing ammonia. Never use flammable or combustible solvents around machines.

Repairs

For repairs, return the stand to the nearest service center.

ACCESSORIES

⚠WARNING Use only recommended accessories. Others may be hazardous.

For a complete listing of accessories, go online to www.milwaukeetool.com or contact a distributor.

SERVICE - UNITED STATES

1-800-SAWDUST (1.800.729.3878)

Monday-Friday, 7:00 AM - 6:30 PM CST

or visit www.milwaukeetool.com

Contact Corporate After Sales Service Technical Support with technical, service/repair, or warranty questions.

Email: metproductsupport@milwaukeetool.com

Become a Heavy Duty Club Member at www.milwaukeetool.com to receive important notifications regarding your purchases.

SERVICE - CANADA

Milwaukee Tool (Canada) Ltd

1.800.268.4015

Monday-Friday, 7:00 AM - 4:30 PM CST

or visit www.milwaukeetool.ca

LIMITED WARRANTY USA & CANADA

Every MILWAUKEE MX FUEL™ Product, battery pack, and charger is warranted to the original purchaser only to be free from defects in material and workmanship. Subject to certain exceptions, MILWAUKEE will repair or replace a MX FUEL™ product, battery pack, or charger which, after examination, is determined by MILWAUKEE to be defective in material or workmanship for a period of two (2) years after the date of purchase. Return of the MX FUEL™ product, battery pack, or charger to a MILWAUKEE factory Service Center location or MILWAUKEE Authorized Service Station, freight prepaid and insured, is required. For the proper shipping procedure of battery packs, contact 1.800.SAWDUST (1.800.729.3878), or go to www.milwaukeetool.com. A copy of the proof of purchase should be included with the return product. This warranty does not apply to damage that MILWAUKEE determines to be from repairs made or attempted by anyone other than MILWAUKEE authorized personnel, misuse, alterations, abuse, normal wear and tear, lack of maintenance, or accidents.

Normal Wear: Many MX FUEL™ products need periodic parts replacement and service to achieve best performance. This warranty does not cover repair when normal use has exhausted the life of a part including, but not limited to, assist & drive belts, pulleys, blade flanges, vacuum gaskets, tool free handles, set pins, skis, drive couplers, rubber boots, auto feed, stabilize blocks, wheels, carrier wheels, cords, o-rings, seals, bumpers, driver blades, pistons, strikers, lifters, tool holder, and bumper cover washers.

Warranty Registration is not necessary to obtain the applicable warranty on a MX FUEL™ product, battery pack, or charger.

ACCEPTANCE OF THE EXCLUSIVE REPAIR AND REPLACEMENT REMEDIES DESCRIBED HEREIN IS A CONDITION OF THE CONTRACT FOR THE PURCHASE OF EVERY MILWAUKEE PRODUCT. IF YOU DO NOT AGREE TO THIS CONDITION, YOU SHOULD NOT PURCHASE THE PRODUCT. IN NO EVENT SHALL MILWAUKEE BE LIABLE FOR ANY INCIDENTAL, SPECIAL, CONSEQUENTIAL OR PUNITIVE DAMAGES, OR FOR ANY COSTS, ATTORNEY FEES, EXPENSES, LOSSES OR DELAYS ALLEGED TO BE AS A CONSEQUENCE OF ANY DAMAGE TO, FAILURE OF, OR DEFECT IN ANY PRODUCT INCLUDING, BUT NOT LIMITED TO, ANY CLAIMS FOR LOSS OF PROFITS. SOME STATES DO NOT ALLOW THE EXCLUSION OR LIMITATION OF INCIDENTAL OR CONSEQUENTIAL DAMAGES, SO THE ABOVE LIMITATION OR EXCLUSION MAY NOT APPLY TO YOU. THIS WARRANTY IS EXCLUSIVE AND IN LIEU OF ALL OTHER EXPRESS WARRANTIES, WRITTEN OR ORAL TO THE EXTENT PERMITTED BY LAW. MILWAUKEE DISCLAIMS ANY IMPLIED WARRANTIES, INCLUDING WITHOUT LIMITATION ANY IMPLIED WARRANTY OF MERCHANTABILITY OR FITNESS FOR A PARTICULAR USE OR PURPOSE. TO THE EXTENT SUCH DISCLAIMER IS NOT PERMITTED BY LAW, SUCH IMPLIED WARRANTIES ARE LIMITED TO THE DURATION OF THE APPLICABLE EXPRESS WARRANTY AS DESCRIBED ABOVE. SOME STATES DO NOT ALLOW LIMITATIONS ON HOW LONG AN IMPLIED WARRANTY LASTS. SO THE ABOVE LIMITATION MAY NOT APPLY TO YOU, THIS WARRANTY GIVES YOU SPECIFIC LEGAL RIGHTS, AND YOU MAY ALSO HAVE OTHER RIGHTS WHICH VARY FROM STATE TO STATE.

This warranty applies to product sold in the U.S.A. and Canada only. Please consult the 'Service Center Search' in the Parts & Service section of MILWAUKEE's website www.milwaukeetool.com or call 1.800.SAWDUST (1.800.729.3878) to locate your nearest service facility for warranty and non-warranty service on a MX FUEL™ product, battery pack or charger.

LIMITED WARRANTY - MEXICO, CENTRAL AMERICA & CARIBBEAN

TECHTRONIC INDUSTRIES' warranty is for 2 years since the original purchase date.

This warranty card covers any defect in material and workmanship on this Product.

To make this warranty valid, present this warranty card, sealed/stamped by the distributor or store where you purchased the product, to the Authorized Service Center (ASC). Or, if this card has not been sealed/stamped, present the original proof of purchase to the ASC. Call 55 4160-3547 to find the nearest ASC, for service, parts, accessories or components.

Procedure to make this warranty valid

Take the product to the ASC, along with the warranty card sealed/stamped by the distributor or store where you purchased the product, and any faulty piece or component will be replaced without cost for you. We will cover all freight costs relative with this warranty process.

Exceptions

This warranty is not valid in the following situations

a) When the product is used in a different manner from the end-user guide or instruction manual.

b) When the conditions of use are not normal.

c) When the product was modified or repaired by people not authorized by TECHTRONIC INDUSTRIES.

Note: If cord set is damaged, it should be replaced by an Authorized Service Center to avoid electric risks.

SERVICE AND ATTENTION CENTER

Call to 55 4160-3547

IMPORTED AND COMMERCIALIZED BY
TECHTRONIC INDUSTRIES MEXICO, S.A. DE C.V.
Miguel de Cervantes Saavedra No.301 Piso 5, Torre Norte
11520 Colonia Ampliación Granada
Miguel Hidalgo, Ciudad de Mexico, Mexico

Model: _____

Date of Purchase: _____

Distributor or Store Stamp: _____

RÈGLES DE SÉCURITÉ GÉNÉRALES RELATIVES AUX OUTILS ÉLECTRIQUES

⚠AVERTISSEMENT Lire toutes les consignes de sécurité, consignes,

illustrations et spécifications fournies avec cet outil électrique. Ne pas suivre l'ensemble des règles et instructions peut entraîner une électrocution, un incendie ou des blessures graves. **Conserver les règles et les instructions à des fins de référence ultérieure.** Le terme «outil électrique» figurant dans les avertissements ci-dessous renvoie à l'outil électrique à alimentation par le réseau (à cordon) ou par batterie (sans fil).

SÉCURITÉ DU LIEU DE TRAVAIL

- **Veillez à ce que l'aire de travail soit propre et bien éclairée.** Le désordre et le manque de lumière favorisent les accidents.
- **Ne pas utiliser d'outils électriques dans des atmosphères explosives, par exemple en présence de liquides, gaz ou poussières inflammables.** Les outils électriques produisent des étincelles risquant d'enflammer les poussières ou vapeurs.
- **S'assurer que les enfants et les curieux se trouvent à une bonne distance au moment d'utiliser un outil électrique.** Les distractions peuvent causer une perte de contrôle.

SÉCURITÉ ÉLECTRIQUE

- Les fiches des outils électriques doivent correspondre à la prise secteur utilisée. Ne jamais modifier la fiche, de quelque façon que ce soit. Ne jamais utiliser d'adaptateurs de fiche avec des outils mis à la terre. Les fiches et prises non modifiées réduisent le risque de choc électrique.
- Éviter tout contact avec des surfaces mises à la terre comme des tuyaux, des radiateurs, des cuisinières et des réfrigérateurs. Le risque de choc électrique est accru lorsque le corps est mis à la terre.
- Ne pas exposer les outils électriques à l'eau ou l'humidité. La pénétration d'eau dans ces outils accroît le risque de choc électrique.
- Ne pas maltraiter le cordon d'alimentation. Ne jamais utiliser le cordon d'alimentation pour transporter l'outil électrique et ne jamais débrancher ce dernier en tirant sur le cordon. Garder le cordon à l'écart de la chaleur, de l'huile, des objets tranchants et des pièces en mouvement. Un cordon endommagé ou emmêlé accroît le risque de choc électrique.
- Pour les travaux à l'extérieur, utiliser un cordon spécialement conçu à cet effet. Utiliser un cordon conçu pour l'usage extérieur réduit les risques de choc électrique.
- Si l'utilisation d'un outil électrique est inévitable dans un endroit humide, utiliser une source d'alimentation munie d'un disjoncteur de fuite de terre. L'utilisation d'un disjoncteur de fuite de terre réduit le risque de choc électrique.

SÉCURITÉ INDIVIDUELLE

- Rester attentif, prêter attention au travail et faire preuve de bon sens lors de l'utilisation de tout outil électrique. Ne pas utiliser cet appareil en cas de fatigue ou sous l'influence de l'alcool, de drogues ou de médicaments. Un moment d'inattention pendant l'utilisation d'un outil électrique peut entraîner des blessures graves.
- Porter l'équipement de protection individuel requis. Toujours porter une protection oculaire. Selon les conditions, porter aussi un masque antipoussières, des bottes de sécurité antidérapantes, un casque protecteur ou une protection auditive afin de réduire les blessures.
- Empêcher les démarrages accidentels. S'assurer que la gâchette est en position d'arrêt avant de brancher l'outil à une source de courant, d'insérer la batterie, de le ramasser ou de le transporter. Le fait de transporter un outil électrique en gardant le doigt sur la gâchette ou de mettre sous tension un outil électrique lorsque la gâchette est en position de marche favorise les accidents.
- Retirer les clés de réglage avant de mettre l'outil en marche. Une clé laissée sur une pièce rotative de l'outil peut causer des blessures.
- Ne pas travailler hors de portée. Toujours se tenir bien campé et en équilibre. Une bonne stabilité procure un meilleur contrôle de l'outil électrique en cas d'imprévu.
- Porter une tenue appropriée. Ne porter ni vêtements amples, ni bijoux. Garder les cheveux et les vêtements à l'écart des pièces en mouvement. Les vêtements flottants, les bijoux ou les cheveux longs risquent d'être happés par les pièces en mouvement.
- Si les outils sont équipés de dispositifs de dépoussiérage, s'assurer qu'ils sont connectés et correctement utilisés. L'utilisation d'un collecteur de poussière permet de réduire les dangers liés à la poussière.
- Ne pas laisser la familiarité avec l'outil acquise par une utilisation fréquente vous rendre suffisant et vous amener à ignorer les règles de sécurité. Une utilisation négligée peut causer une blessure grave en une fraction de seconde.

UTILISATION ET ENTRETIEN DE L'OUTIL ÉLECTRIQUE

- Ne pas forcer l'outil électrique. Utiliser l'outil électrique approprié pour l'application. Un outil électrique approprié exécutera le travail mieux et de façon moins dangereuse s'il est utilisé dans les limites prévues.
- Ne pas utiliser l'outil électrique si le commutateur ne permet pas de le mettre en marche ou de l'arrêter. Tout outil électrique qui ne peut pas être contrôlé par son commutateur est dangereux et doit être réparé.
- Débrancher l'outil et/ou retirer le bloc-piles, si possible, avant d'effectuer des réglages, de changer d'accessoire ou de remiser l'outil. Ces mesures de sécurité préventives réduisent les risques de démarrage accidentel de l'outil.
- Entreposer l'outil électrique hors de la portée des enfants et interdire à quiconque de l'utiliser si la personne ne connaît pas bien le produit ou les instructions. Les outils électriques sont dangereux dans les mains d'utilisateurs novices.
- Entretenir les outils électriques et les accessoires. Vérifier qu'aucune pièce mobile n'est mal alignée ou bloquée, qu'aucune pièce n'est brisée et s'assurer qu'aucun autre problème risque d'affecter le bon fonctionnement de l'outil. En cas de dommages, faire réparer l'outil avant de l'utiliser. Plusieurs accidents sont causés par des produits mal entretenus.
- Garder les outils bien affûtés et propres. Des outils correctement entretenus et dont les tranchants sont bien affûtés risquent moins de se bloquer et sont plus faciles à contrôler.
- Utiliser l'outil électrique, les accessoires, les embouts etc. conformément à ces instructions en tenant compte des conditions de travail et de la tâche à effectuer. L'usage d'un outil électrique pour des applications pour lesquelles il n'est pas conçu peut être dangereux.
- Garder les poignées et les surfaces de préhension sèches, propres et exemptes d'huile ou de graisse. Des poignées et des surfaces de préhension glissantes ne permettent pas de manipuler et de contrôler l'outil en toute sécurité en cas de situation imprévue.

UTILISATION ET ENTRETIEN DE LA BATTERIE

- Pour recharger le bloc-piles, utiliser seulement le chargeur spécifié par le fabricant. Un chargeur pouvant convenir à un type de bloc-piles peut entraîner un risque d'incendie lorsqu'il est utilisé avec un autre type de bloc-piles.
- N'utiliser l'outil électrique qu'avec une batterie recommandée. L'utilisation de tout autre bloc-piles peut créer un risque de blessures et d'incendie.
- Lorsque le bloc-piles n'est pas utilisé, le tenir éloigné des objets en métal tels que les trombones, les pièces de monnaie, les clés, les clous, les vis ou d'autres petits objets métalliques qui pourraient connecter les bornes. Le court-circuitage des bornes d'une pile peut entraîner des brûlures ou un incendie.
- Éviter tout contact avec le liquide pouvant être éjecté de la pile en cas de manutention abusive. En cas de contact accidentel, rincer immédiatement les parties atteintes avec de l'eau. Si le liquide entre en contact avec les yeux, consulter un médecin. Le liquide éjecté des piles peut causer des irritations ou des brûlures.
- N'utiliser aucun bloc-piles ni aucun outil ayant été endommagé ou modifié. Des piles endommagées ou modifiées peuvent adopter un comportement imprévisible pouvant causer un incendie, une explosion ou le risque de blessures.

- **Ne pas exposer le bloc-piles ou l'outil aux flammes ou à une température excessive.** Une exposition aux flammes ou à une température supérieure à 130°C (265°F) peut causer une explosion.
- **Suivre toutes les instructions de charge et ne pas charger le bloc-piles ou l'outil en dehors de la plage de température spécifiée.** Une charge incorrecte ou à des températures en dehors de la plage spécifiée peut endommager la pile et augmenter le risque d'incendie.

ENTRETIEN

- **Les réparations de l'outil électrique doivent être confiées à un technicien qualifié, utilisant exclusivement des pièces identiques à celles d'origine.** Le maintien de la sûreté de l'outil électrique sera ainsi assuré.
- **Ne jamais effectuer la réparation d'un bloc-piles endommagé.** La réparation du bloc-piles doit être réalisée par le fabricant ou les fournisseurs de service agréés uniquement.

RÈGLES DE SÉCURITÉ SPÉCIFIQUES POUR SUPPORT DE FORET DE NOYAU COMPACT

- **Tenez l'outil électrique par des surfaces de préhension isolées, lorsque vous effectuez une opération où l'accessoire de coupe ou les attaches peuvent contacter le câblage caché.** La coupe d'accessoires ou de fixations en contact avec un fil "direct" peut rendre les pièces métalliques exposées de l'outil électrique "en direct" et pourrait donner à l'opérateur un choc électrique.
- **Fixez toujours le support sur la surface de travail pour éviter les blessures corporelles et protéger le support. Ne comptez pas sur le poids du support, la goupille d'ancrage seule ou le poids corporel sur le support pour la fixation pendant l'utilisation.** Un support non sécurisé peut pivoter pendant le carottage et peut-être causer des blessures. Ne comptez jamais sur la goupille d'ancrage seule pour sécuriser.
- **Lors de la fixation du support de perçage avec des ancrages et des fixations à la pièce à travailler, faire en sorte que l'ancrage utilisé soit capable d'accueillir et de retenir l'outil pendant l'utilisation.** Si la pièce à travailler est faible ou poreuse, l'ancrage peut se détacher et ainsi détacher le support de perçage de la pièce à travailler.
- **Lorsque vous fixez le support de perçage à l'aide des joints d'étanchéité de la pièce à travailler avec une pompe à vide, installez le socle sur une surface lisse, propre et non poreuse. Ne pas fixer sur des surfaces stratifiées comme le carrelage et les revêtements composites.** Si la pièce à travailler n'est pas lisse, plane ou bien fixée, la ventouse peut se détacher de la pièce.
- **Veillez à vous assurer qu'il y ait une aspiration suffisante avant et après l'opération de perçage.** Si l'aspiration n'est pas suffisante, le coussinet pourra bien se libérer de la pièce.
- **Ne jamais faire une opération de perçage quand la machine ne soit fixée que par le coussinet, sauf que l'opération soit pour percer vers le bas.** Si l'aspiration se perd, le coussinet pourra bien se libérer de la pièce.
- **Lors du perçage à travers les murs ou les plafonds, veiller à protéger les personnes et l'espace de travail qui se trouvent de l'autre côté.** Le foret peut passer à travers le trou ou faire tomber la carotte de l'autre côté.
- **Afin de minimiser le risque de blessures, toujours porter la protection oculaire appropriée certifiée conforme à la norme ANSI Z87.1.**
- **Porter une protection auditive pendant la réalisation d'une opération de perçage au diamant.** L'exposition au bruit peut entraîner une perte auditive.

⚠ AVERTISSEMENT Pour réduire le risque de blessures dans les applications qui produisent une quantité considérable de poussière, utilisez une solution d'extraction de poussière conforme à l'OSHA conformément aux instructions d'utilisation de la solution.

• **Suivez toutes les instructions et les avertissements fournis avec le foret de base et les accessoires.** Utilisez uniquement un foret de base et des accessoires spécifiquement recommandés pour cet outil. D'autres peuvent être dangereux.

• **Toujours faire preuve de bons sens et procéder avec prudence lors de l'utilisation d'outils.** C'est impossible de prévoir toutes les situations dont le résultat est dangereux. Ne pas utiliser cet outil si vous ne comprenez pas ces instructions d'opération ou si vous pensez que le travail dépasse votre capacité; veuillez contacter Milwaukee Tool ou un professionnel formé pour recevoir plus d'information ou formation.

• **Maintenir en l'état les étiquettes et les plaques d'identification.** Des informations importantes y figurent. Si elles sont illisibles ou manquantes, contacter un centre de services et d'entretien MILWAUKEE pour un remplacement gratuit.

⚠ AVERTISSEMENT Certaines poussières générées par les activités de ponçage, de coupe, de rectification, de perçage et d'autres activités de construction contiennent des substances considérées être la cause de malformations congénitales et de troubles de l'appareil reproducteur. Parmi ces substances figurent:

- le plomb contenu dans les peintures à base de plomb;
 - la silice cristalline des briques, du ciment et d'autres matériaux de maçonnerie, ainsi que
 - l'arsenic et le chrome des sciages traités chimiquement.
- Les risques encourus par l'opérateur envers ces expositions varient en fonction de la fréquence de ce type de travail. Pour réduire l'exposition à ces substances chimiques, l'opérateur doit: travailler dans une zone bien ventilée et porter l'équipement de sécurité approprié, tel qu'un masque anti-poussière spécialement conçu pour filtrer les particules microscopiques.

PICTOGRAPHIE



Lire le manuel de l'opérateur



Portez toujours une protection oculaire, auditive et respirateur

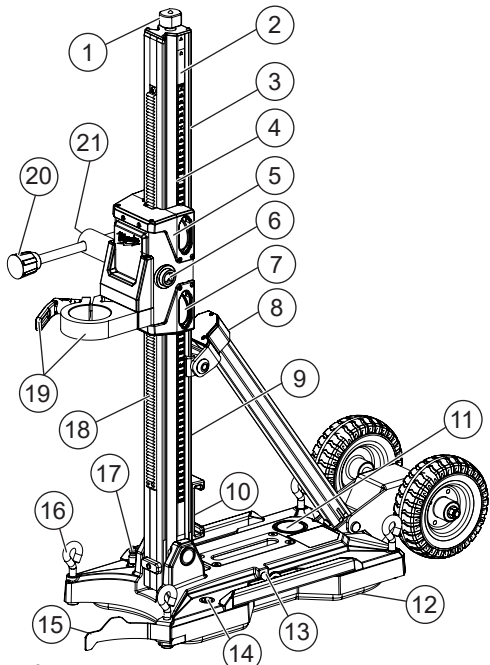


UL Listing Mark pour
Canada et États-unis

SPÉCIFICATIONS

No de Cat.....	3000
Pompe à vide	49-50-0200
Kit de joints	43-44-0019

DESCRIPTION FONCTIONNELLE



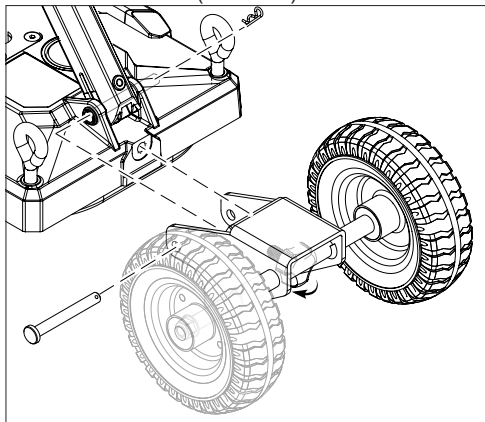
- | | |
|--|---------------------------------------|
| 1. Épingle d'étagage | 12. Joints |
| 2. Mât | 13. Goupille de déverrouillage à vide |
| 3. Rapporteur d'angle (au verso) | 14. Niveau de 360° |
| 4. Limiteur de profondeur | 15. Niveau central |
| 5. Ensemble de porteur | 16. Boulons à œil (4) |
| 6. Emplacement de levier de commande | 17. Coupleur à vide |
| 7. Roulettes de porteur (4) | 18. Portoir |
| 8. Contre-fiche angulaire avec poignée | 19. Plaque de montage avec poignée |
| 9. Niveau à bulle (au verso) | 20. Levier de commande |
| 10. Rangement de pile MX FUEL™ | 21. Bouton de levier de commande |
| 11. Manomètre à vide | |

- Glisser l'ensemble de porteur sur le mât, en faisant que les roulettes du porteur corresponde aux rainures sur le mât.

REMARQUE :
L'ensemble de porteur pourra, peu à peu, devenir lâche et aura besoin d'être resserré (voir la section « Ajustage de l'ensemble de porteur » qui figure dans la section « Entretien »).

- Appuyer sur le bouton de levier de commande et insérer le levier de commande dans un des emplacements pour levier. Relâcher le bouton. Veillez à vous assurer que la poignée s'encliquète en place.
- Faire tourner le levier de commande pour relever ou abaisser le porteur. Lorsque le porteur est totalement relevé, c'est possible de le relever hors du mât.

Attachement d'ensemble de roulettes (Facultatif)



- Mettre la base sur le sol en vertical.
- Aligner les trous dans la base de roulettes avec la partie arrière du stand, comme indiqué ci-dessous.
- Insérer le boulon à travers des trous qui connectent l'ensemble de roulettes avec la base et insérer la goupille en épingle à cheveux à travers du trou se trouvant sur le bout du boulon.
- Serrer fermement le bouton à vis sur l'extrême arrière de l'ensemble de roulettes.

Montage du foret aléuseur sur le stand

⚠ AVERTISSEMENT Pour réduire le risque de blessure, débranchez toujours l'outil ou enlevez la batterie avant d'installer la perceuse.

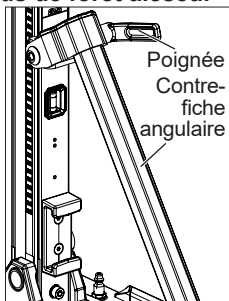
Utiliser un foret aléuseur MX FUEL™ de Milwaukee avec ce stand.

- Pour monter le foret, desserrer la poignée de la plaque de montage.
- Mettre le foret aléuseur, avec la broche vers le bas, dans la plaque de montage.

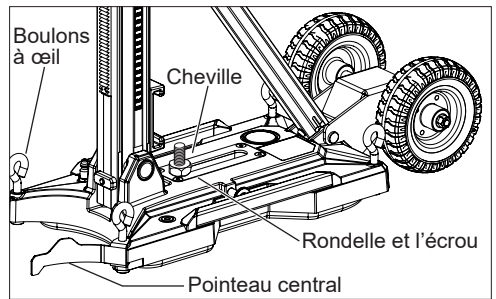
MONTAGE DE L'OUTIL

Assemblage de stands de foret aléuseur

- Mettre la base sur le sol.
- Élever le mât en vertical à l'angle désiré.
- Serrer fermement la poignée de la contre-fiche angulaire. Si la poignée n'arrive pas à faire un tour complet à cause du sens de configuration, sortir la poignée en la tirant, la faire tourner, la pousser dedans, la serrer et répéter les étapes.



3. Serrer la poignée de la plaque de montage à la main. Si le foret aléseur évite que la poignée de la plaque de montage fasse un tour complet, tirer la poignée pour la faire sortir, faire une rotation à l'inverse, la pousser, la serrer et répéter.
4. Une fois monté le foret aléseur, s'assurer que le porteur soit rigide et bien mis contre le mât. Un porteur lâche pourra laisser que le foret ou le trépan se basculent pendant le carottage. Remuer le foret dans les quatre directions (avant, arrière, gauche et droite). S'il se bascule, serrer la plaque de montage. Si le foret continue à se sentir lâche, voir « Ajustage de l'ensemble de porteur » dans la section « Entretien » pour plus de renseignements.
5. Pour retirer le foret, desserrer la poignée de la plaque de montage et la tirer loin du stand.



La méthode la plus rigide est les chevilles expansibles, lesquelles pourront être utilisées pour le carottage en vertical (murs) ainsi qu'en horizontal (sol). Utiliser une cheville expansible de 16 mm (5/8") ou de 19 mm (3/4") avec un tige filetée intégrale, une rondelle et un écrou (non fournis).

1. Trouver l'emplacement de la cheville expansible en ayant une mesure de séparation de 254 mm (10") à 356 mm (14") depuis le centre du trou à percer.
2. Mettre la cheville selon les instructions du fabricant de la cheville.
3. Mettre le stand sur la cheville, comme indiqué ci-dessous. La cheville doit se rallonger à travers de la rainure au centre du stand.
4. Mettre la rondelle et l'écrou sur la cheville et les serrer à la main.
5. Rallonger le pointeau central et l'aligner avec le centre du trou à percer.
6. Serrer fermement l'écrou de la cheville.
7. Rétracter le pointeau central.

Assemblage et utilisation d'un système à vide (Accessoire facultatif)

Pour le carottage en horizontal (sol)

AVERTISSEMENT Afin de minimiser le risque de blessures, toujours utiliser une cheville expansible pendant les tâches de carottage en vertical. Les systèmes à vide pourront se glisser lorsqu'ils sont utilisés sur une surface verticale.

Lors de la fixation du stand sur la pièce à l'aide d'une pompe à vide, installer le stand sur une surface lisse, propre et non poreuse, telle celle en béton coulé. Ne pas fixer sur de surfaces laminées, telles que les carreaux et le revêtement composite. Si la pièce n'est pas lisse, plate ou bien fixe, les joints pourront reculer loin de la pièce, ce qui fera bouger le stand. Si la surface est trop poreuse ou rugueuse, le vide ne résistera pas bien ou il n'y aura pas une bonne étanchéité. Avant d'utiliser le système de vide :

- Always check the gaskets on the underside of the base for wear, cracks or tears. Immediately replace worn or damaged gaskets. To replace the gaskets, see "Replacing Vacuum Gaskets" in the "Maintenance" section.
- Make sure the gauge is at 0" Hg.

1. Desserrer les (4) boulons à œil jusqu'à ce que les bouts se trouvent au-dessus de la surface inférieure de la base.
2. Rallonger le pointeau central et l'aligner avec le centre du trou à percer.
3. Mettre la pompe à vide de côté sur une surface sèche, loin du stand.

MANIEMENT

AVERTISSEMENT Afin de minimiser le risque de blessures, toujours porter la protection oculaire appropriée certifiée conforme à la norme ANSI Z87.1.

Lorsque de travaux sont faits dans de situations poussiéreuses, porter une protection respiratoire ou bien, utiliser une solution d'extraction de poussière conforme aux normes OSHA.

Méthodes pour la fixation de l'équipement sur la surface de travail

AVERTISSEMENT Afin de minimiser le risque de blessures, toujours fixer le stand sur la surface de travail pour éviter subir de blessures physiques ainsi que protéger le stand. Un stand qui n'est pas fixe pourra pivoter pendant le carottage et bien causer des blessures. Ne jamais se fier seulement de l'épingle d'étagage à des fins de fixation.

Toujours s'assurer que le stand soit monté fermement sur un système à vide ou bien, un système de chevilles expansibles. **AVERTISSEMENT !** Ne pas se fier ni du poids du stand, ni l'épingle d'étagage toute seule, ni du poids corporel sur le stand à des fins de fixation pendant l'utilisation. Le stand se bougera et provoquera des blessures.

Tout mouvement et toute vibration réduira la vie utile du trépan carottier. Si le foret ou le trépan se bougent, bien serrer le système de montage. Si le foret ou le trépan continuent à se bouger, voir « Ajustage de l'ensemble de porteur » dans la section « Entretien » pour plus de renseignements.

Certains matériaux de construction contiennent de renforts en acier. Les trépan de forets aléseurs de MILWAUKEE peuvent couper l'acier incorporé, mais ils ne sont pas recommandés pour carotter les plaques en acier solide.

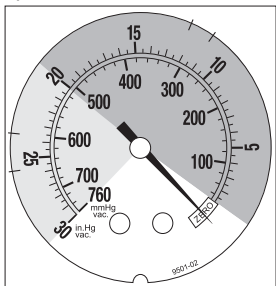
Utilisation de chevilles expansibles

Pour le carottage en vertical (murs) et en horizontal (sol)

AVERTISSEMENT Lors du perçage à travers de murs et de plafonds, protéger les personnes et l'espace de travail dans l'autre côté. Le trépan pourra se rallonger à travers du trou ou bien, l'aléseur pourra tomber de l'autre côté.

- Brancher le tuyau d'aspirateur au coupleur à vide qui se trouve sur la base du stand, en suivant les recommandations fournies par le fabricant de l'aspirateur.
- Brancher la pompe à vide et l'allumer.
- Mettre un pied/pousser le centre de la base vers le bas jusqu'à ce qu'elle abaisse et s'adhère à la surface de travail. Si le stand n'a pas d'étanchéité, vérifier la goupille de déverrouillage à vide pour s'assurer qu'il n'y ait pas aucune filtration.

7. Continuer à monitorer l'étanchéité. Le manomètre à vide est utilisé afin de garantir que la pression à vide soit suffisante pour maintenir le stand sur place. Le manomètre à vide doit afficher une lecture minimale de 20" Hg (zone verte), ce qui indique qu'il y a une pression à vide suffisante pour continuer la tâche de perçage. Si le pointeau se trouve dans la zone rouge (0" à 20" Hg), il n'y a pas une pression à vide suffisante. **AVERTISSEMENT !** Afin de minimiser le risque de blessures, **NE PAS CAROTTER** si le manomètre affiche une lecture de moins de 20" Hg.



- Quand le manomètre à vide affiche une lecture d'entre 20" et 30" Hg, utiliser tous les (4) boulons à œil pour niveler le stand. **AVERTISSEMENT !** Un serrage excessif pourra enlever le joint sur le sol et libérer l'étanchéité. Une fois achevé le nivellement, vérifier le manomètre à vide encore une fois.
- Pour libérer l'étanchéité, éteindre la pompe à vide et tirer la goupille de déverrouillage à vide pour la faire sortir.

AVERTISSEMENT Pour réduire le risque de blessure, fixez toujours le support sur la surface de travail afin de prévenir les blessures corporelles et de protéger le support. Un support non sécurisé peut pivoter pendant le carottage et peut-être causer des blessures. Ne comptez jamais sur la goupille d'ancrage seule pour sécuriser.

Utilisation de l'épingle d'étagage

Pour une rigidité supérieure lors de l'utilisation d'un système à vide ou bien, un système de chevilles expansibles, utiliser l'épingle d'étagage et une poignée.

- Fixer le stand à l'aide d'un système à vide ou bien, d'un système de chevilles expansibles. **AVERTISSEMENT !** Ne jamais se fier seulement de l'épingle d'étagage à des fins de fixation.
- Utiliser tous les (4) boulons à œil pour niveler le stand.
- Utiliser une pièce de tuyau ou de bois (par exemple, une pièce de bois de 4x4) pour fixer le stand entre une structure solide et la partie supérieure du stand.
- Serrer l'épingle d'étagage contre la poignée afin d'augmenter la stabilité du stand.

Carottage

AVERTISSEMENT Afin de minimiser le risque de blessures, toujours porter la protection oculaire appropriée certifiée conforme à la norme ANSI Z87.1.

Lorsque de travaux sont faits dans des situations poussiéreuses, porter une protection respiratoire ou bien, utiliser une solution d'extraction de poussière conforme aux normes OSHA.

Suivre toutes les instructions et tous les avertissements fournis avec le foret aléuseur et les accessoires. Utiliser uniquement un foret aléuseur et les accessoires spécialement recommandés pour cet outil. L'utilisation d'autres types d'accessoires pourrait entraîner des situations dangereuses.

Lors du perçage à travers de murs et de plafonds, protéger les personnes et l'espace de travail dans l'autre côté. Le trépan pourra se rallonger à travers du trou ou bien, l'aléuseur pourra tomber de l'autre côté.

- Fixer le stand à l'aide d'un système à vide ou bien, d'un système de chevilles expansibles.
- Installer la perceuse dans le stand.
- Utiliser tous les (4) boulons à œil pour niveler le stand.
- Ajuster le porteur du stand à une bonne hauteur et installer le trépan.
- Ajuster le stand sur l'angle désiré.
- S'assurer que tous les ajustements soient bien fixes et le pointeau central est rétracté.
- Allumer l'outil selon les instructions fournies par le fabricant de la perceuse.
- Abaisser la perceuse pour la faire entrer dans la pièce à l'aide d'un levier de commande et continuer à percer selon les instructions fournies par les fabricants de la perceuse et les accessoires.
- Lorsque vous avez fini la tâche, utiliser le levier de commande pour relever le trépan loin du trou et après, éteindre la perceuse.

ENTRETIEN

AVERTISSEMENT Pour minimiser les risques de blessures corporelles, débranchez le chargeur et retirez la batterie du chargeur ou de l'outil avant d'y effectuer des travaux d'entretien. Ne démontez jamais l'outil, la batterie ou le chargeur. Pour toute réparation, consultez un centre de service MILWAUKEE accrédité.

Entretien de l'outil

Suivre un programme d'entretien fréquent pour préserver vos outils en bon état. Inspecter les outils pour vérifier qu'ils ne font pas de bruits bizarres, qu'aucune pièce mobile n'est mal alignée ou bloquée, qu'aucune pièce n'est brisée et s'assurer qu'aucun autre problème risque d'affecter le bon fonctionnement des outils. Retourner les outils au centre de service de MILWAUKEE aux fins de réparation.

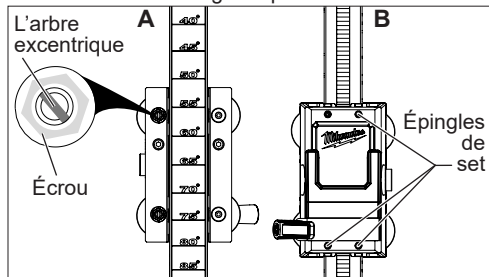
Ajustage de l'ensemble de porteur

L'ensemble de porteur, peu à peu, pourra devenir lâche et il faudra le resserrer.

- Retirer la perceuse et tous les accessoires. **AVERTISSEMENT !** Toujours retirer l'outil motorisé et tous les accessoires avant de faire l'entretien.

- Quand le porteur est lâche de son côté, serrer les deux ensembles de boulon/arbre excentrique (A).
 - Desserrer légèrement l'écrou extérieur.
 - Serrer l'arbre excentrique à la main à l'aide d'un tournevis entre 1 et 5 in-lb.
 - Serrer l'écrou extérieur à la main entre 120 et 130 in-lb.
- Quand le porteur est lâche dans l'avant à l'arrière, serrer les quatre épingles mises (B). Utiliser une clé hexagonale de 4 mm pour serrer les épingles entre 2,5 et 7 in-lb.

REMARQUE : Le serrage excessif de l'ensemble rendra difficile de bouger le porteur.



Lubrification de portoir

Appliquer une couche mince de graisse type « P » ou « J » de MILWAUKEE sur le portoir afin de réduire la friction et l'usure lorsque le porteur est bougé.

Remplacement de joints à vide

Les joints en caoutchouc sous la base, peu à peu, deviendront lâches et il faut les remplacer.

- Retirer la perceuse et tous les accessoires. **AVERTISSEMENT** ! Toujours retirer l'outil motorisé et tous les accessoires avant de faire l'entretien.
- Tourner le stand vers l'un de ses côtés.
- Desserrer les (4) boulons à œil jusqu'à ce que les bouts se trouvent au-dessus de la surface inférieure de la base.
- Faire sortir les vieux joints des rainures et les jeter.
- Mettre un nouveau joint (No de Cat. 43-44-0019) dans les rainures et les presser fermement en place.
- Mettre le stand en vertical et exercer pression sur tous les bords afin de placer totalement le joint dans le stand.

Nettoyage

Garder les poignées de l'outil propres, sèches et exemptes d'huile ou de graisse. Utiliser uniquement un savon doux et un linge humide, puisque certains agents de nettoyage et certains solvants peuvent détériorer le plastique et les autres pièces isolées. En voici quelques exemples : l'essence, la térébenthine, les diluants à laque ou à peinture, les solvants chlorés, l'ammoniaque et les détergents à usage domestique qui en contiennent. Ne jamais utiliser de solvants inflammables ou combustibles autour des outils.

Réparations

Aux fins de réparations, retourner l'outil au centre de service le plus proche.

ACCESSOIRES

AVERTISSEMENT L'utilisation d'autres accessoires que ceux qui sont spécifiquement recommandés pour cet outil peut comporter des risques.

Pour une liste complète des accessoires, visiter le site internet www.milwaukeetool.com ou contactez un distributeur.

SERVICE - CANADA

Milwaukee Tool (Canada) Ltd
1.800.268.4015

Monday-Friday, 7:00 AM - 4:30 PM CST
www.milwaukeetool.ca

GARANTIE LIMITÉE - AUX ÉTATS-UNIS ET AU CANADA

Chaque produit, bloc-pile, et chargeur MX FUEL™ de MILWAUKEE sont garantis à l'acheteur d'origine d'être exempts de vice du matériau et de fabrication. Sous réserve de certaines exceptions, MILWAUKEE réparera ou remplacera un produit, bloc-pile, et chargeur MX FUEL™ qui, après examen par MILWAUKEE, s'est affectée d'un vice de matériel ou de main d'œuvre pendant une période de deux (2) ans après la date d'achat. Retourner le produit, bloc-pile, et chargeur MX FUEL™ à un centre de réparations en usine MILWAUKEE ou à un poste d'entretien agréé MILWAUKEE, en port prépayé et assuré. Pour en savoir plus du processus d'expédition adéquat de blocs-piles, veuillez composer le 1.800.SAWDUST (1.800.729.3878) ou visiter le site www.milwaukeetool.com. Une copie de la preuve d'achat doit être présentée lors du retour du produit. Cette garantie ne couvre pas les dommages que MILWAUKEE détermine d'être causés par des réparations ou des tentatives de réparation par quiconque autre que le personnel agréé par MILWAUKEE, des utilisations incorrectes, des altérations, des utilisations abusives, une usure normale, une carence d'entretien ou les accidents.

Usure normale : Plusieurs produits MX FUEL™ ont besoin de remplacer leurs pièces à périodicité afin d'achever leur performance maximale. Cette garantie ne couvre pas les réparations lorsque l'utilisation commune ait épuisé sa vie utile, y compris, sans s'y limiter, les courroies d'entraînement et d'assistance, les poulies, les flasques de disques, les joints à vide, les poignées sans outil, les épingles de chasse, les patins, les accouplements d'entraînement, les gaines en caoutchouc, l'entraînement automatique, les blocs de stabilisation, les roues, les porte-roues, les cordons, les joints toriques, les embouts, les lames d'entraînement, les pistons, les perceurs, les poussoirs, les porte-outils et les rondelles de protection de bitour.

L'enregistrement de la garantie n'est pas nécessaire pour bénéficier de la garantie en vigueur sur le produit, bloc-pile, et chargeur MX FUEL™. L'ACCEPTATION DES RECOURS EXCLUSIFS DE RÉPARATION ET DE REMPLACEMENT DÉCRITS PAR LA PRÉSENTE EST UNE CONDITION DU CONTRAT D'ACHAT DE TOUT PRODUIT MILWAUKEE. SI VOUS N'ACCEPTÉZ PAS CETTE CONDITION, VOUS NE DEVEZ PAS ACHETER LE PRODUIT. EN AUCUN CAS MILWAUKEE NE SAURAIT ÊTRE RESPONSABLE DE TOUT DOMMAGE ACCESSOIRE, SPÉCIAL OU INDIRECT, DE DOMMAGES-INTÉRÊTS PUNITIFS OU DE TOUTE DÉPENSE, D'HONORAIRES D'AVOCATS, DE FRAIS, DE PERTE OU DE DÉLAIS ACCESSOIRES À TOUT DOMMAGE, DÉFAILLANCE OU DÉFAUT DE TOUT PRODUIT, Y COMPRIS NOTAMMENT LES PERTES DE PROFIT. CERTAINS ÉTATS ET PROVINCES NE PERMETTANT L'EXCLUSION OU LA LIMITATION DES DOMMAGES DIRECTS OU INDIRECTS, LES RESTRICTIONS CI-DESSOUS PEUVENT NE PAS ÊTRE APPLICABLES. CETTE GARANTIE EST EXCLUSIVE ET REMPLACE TOUTE AUTRE GARANTIE EXPRESSE, QU'ELLE SOIT VERBALE OU ÉCRITE. DANS LA MESURE PERMISE PAR LA LOI, MILWAUKEE RENONCE À TOUTE GARANTIE IMPLICITE, Y COMPRIS, SANS S'Y LIMITER, TOUTE GARANTIE IMPLICITE DE QUALITÉ MARCHANDE OU D'ADAPTATION À UNE UTILISATION OU À UNE FIN PARTICULIÈRE. DANS LA MESURE OU UNE TELLE STIPULATION D'EXONÉRATION N'EST PAS PERMISE PAR LA LOI, LA DURÉE DE CES GARANTIES IMPLICITES EST LIMITÉE À LA PÉRIODE APPLICABLE DE LA GARANTIE EXPRESSE, TEL QUE CELA EST DÉCRIT PRÉCÉDEMMENT. CERTAINS ÉTATS ET PROVINCES NE PERMETTANT PAS DE LIMITATION DE DURÉE DES GARANTIES IMPLICITES, LES RESTRICTIONS CI-DESSOUS PEUVENT NE PAS ÊTRE APPLICABLES. LA PRÉSENTE CONFÈRE À L'UTILISATEUR DES DROITS LÉGAUX PARTICULIERS ; IL BÉNÉFICIE ÉGALEMENT D'AUTRES DROITS QUI VARIENT D'UN ÉTAT OU PROVINCE À L'AUTRE.

Cette garantie s'applique aux produits vendus aux États-Unis et au Canada uniquement.

Veillez consulter la rubrique « Centre SAV Milwaukee », dans la section « Pièces et service » du site web de MILWAUKEE, à l'adresse <http://www.milwaukeeool.com> ou composer le 1.800.SAWDUST (1.800.729.3878) afin de trouver le centre de service de votre région le plus proche pour l'entretien, sous garantie ou non, sur un produit, bloc-pile, et chargeur MX FUEL™.

GARANTIE LIMITÉE – MEXIQUE, AMÉRIQUE CENTRALE ET CARAIBES

TECHTRONIC INDUSTRIES® garantit le produit pendant 2 ans à partir de la date d'achat d'origine.

Le présent bon de garantie couvre tous les vices de matériau et de fabrication que peut afficher ce produit.

Pour assurer la validité de la présente garantie, veuillez présenter ce bon de garantie, estampillé du sceau du distributeur ou du magasin ou le produit a été acheté, au centre de réparations agréé. Si le bon de garantie n'a pas été estampillé, veuillez fournir la preuve d'achat d'origine au centre de réparations agréé.

Pour un entretien des pièces, des accessoires ou des composants, composer 55 4160-3547 afin d'obtenir les coordonnées du centre de réparations agréé le plus près.

Procédure pour assurer la validité de la garantie

Présenter le produit au centre de réparations agréé, accompagné du bon de garantie estampillé du sceau du distributeur ou du magasin ou le produit a été acheté. Toute pièce défectueuse ou tout composant défectueux sera remplacé(e) sans frais. Milwaukee assume tous les frais de transport liés à ce processus de garantie.

Exceptions

Cette garantie ne s'applique pas dans les situations suivantes :

- Si le produit a été utilisé pour une fin autre que celle indiquée dans le guide de l'utilisateur final ou le manuel d'instructions.
- Si les conditions d'utilisations ne sont pas habituelles.
- Si le produit a été modifié ou réparé par une personne non autorisée par TECHTRONIC INDUSTRIES.

Remarque : Si le cordon électrique est endommagé, il doit être remplacé par un centre de réparations agréé pour éviter les risques d'électrocution.

CENTRE DE RÉPARATIONS ET DE SERVICE

Composer le 55 4160-3547

IMPORTÉ ET COMMERCIALISÉ PAR

TECHTRONIC INDUSTRIES, MEXIQUE, S.A. DE C.V.

Miguel de Cervantes Saavedra No.301 Piso 5, Torre Norte

11520 Colonia Ampliación Granada

Miguel Hidalgo, Ciudad de Mexico, Mexico

Modèle : _____

Date d'achat : _____

Sceau du distributeur ou du magasin : _____

ADVERTENCIAS DE SEGURIDAD GENERALES PARA LA HERRAMIENTA ELÉCTRICA

⚠ ADVERTENCIA Lea todas las advertencias de seguridad, instrucciones, ilustraciones y especificaciones con esta herramienta eléctrica. Si no sigue todas las advertencias e instrucciones, se pueden provocar una descarga eléctrica, un incendio o lesiones graves. **Guarde todas las advertencias e instrucciones para consultarlas en el futuro.** El término "herramienta eléctrica" en todas las advertencias incluidas más abajo se refiere a su herramienta operada por conexión (cable) a la red eléctrica o por medio de una batería (inalámbrica).

SEGURIDAD EN EL ÁREA DE TRABAJO

- **Mantenga el área de trabajo limpia y bien iluminada.** Las áreas desordenadas u oscuras son propicias para los accidentes.
- **No utilice herramientas eléctricas en atmósferas explosivas, tales como en presencia de líquidos, gases o polvos inflamables.** Las herramientas eléctricas generan chispas que pueden encender el polvo o los vapores.

- **Mantenga a los niños y a los espectadores alejados mientras utiliza una herramienta eléctrica.** Las distracciones pueden ocasionar la pérdida de control.

SEGURIDAD ELÉCTRICA

- **Los enchufes de la herramienta eléctrica deben coincidir con el tomacorriente.** Nunca modifique el enchufe de ninguna manera. **No utilice adaptadores de enchufe con herramientas eléctricas aterrizadas.** Los enchufes y tomacorrientes correspondientes sin modificar reducirán el riesgo de descarga eléctrica.
- **Evite el contacto corporal con superficies aterrizadas, tales como tuberías, radiadores, estufas y refrigeradores.** Existe un riesgo mayor de descarga eléctrica si su cuerpo está aterrizado.
- **No exponga las herramientas eléctricas a la lluvia ni a condiciones húmedas.** Si se introduce agua en una herramienta eléctrica, aumentará el riesgo de descarga eléctrica.
- **No maltrate el cable.** Nunca utilice el cable para cargar, jalar o desconectar la herramienta eléctrica. **Mantenga el cable alejado del calor, el aceite, los bordes afilados o las partes en movimiento.** Los cables dañados o enredados aumentan el riesgo de descarga eléctrica.
- **Al utilizar una herramienta eléctrica en exteriores, utilice una extensión adecuada para uso en exteriores.** El uso de una extensión adecuada para el uso en exteriores disminuye el riesgo de descarga eléctrica.
- **Si es inevitable utilizar una herramienta eléctrica en un lugar húmedo, utilice un alimentador de corriente protegido con un interruptor de circuito por falla de conexión a tierra (GFCI).** El uso de un GFCI reduce el riesgo de descarga eléctrica.

SEGURIDAD PERSONAL

- **Manténgase alerta, atento a lo que está haciendo y utilice el sentido común al utilizar una herramienta eléctrica.** No utilice una herramienta eléctrica mientras está cansado o bajo la influencia de drogas, alcohol o medicamentos. Un momento de distracción al utilizar herramientas eléctricas puede ocasionar lesiones personales graves.
- **Utilice equipo de protección personal. Siempre use protección para los ojos.** El equipo de protección, tal como una máscara contra polvo, calzado antideslizante, casco o protección auditiva, utilizado para condiciones adecuadas disminuirá las lesiones personales.
- **Evite el arranque accidental.** Asegúrese de que el interruptor esté en la posición de apagado antes de conectarlo a una fuente de poder y/o batería, levantar o trasladar la herramienta. Trasladar herramientas con el dedo en el interruptor o energizar herramientas eléctricas que tienen el interruptor encendido propicia accidentes.
- **Retire cualquier llave de ajuste antes de entender la herramienta.** Una llave que se deje insertada en una parte giratoria de la herramienta eléctrica puede ocasionar lesiones personales.
- **No estire el cuerpo demasiado.** Mantenga un buen contacto entre los pies y el suelo y mantenga el equilibrio en todo momento. Esto permite un mejor control de la herramienta eléctrica en situaciones inesperadas.
- **Vístase adecuadamente.** No utilice ropa o joyería holgada. Mantenga el cabello y la ropa alejados de las partes móviles. La ropa holgada, las alhajas o el cabello largo pueden quedarse atrapados en las partes móviles.
- **Si se proporcionan dispositivos para la conexión de instalaciones de extracción y recolección de polvo, cerciórese de que estén conectados y se utilicen correctamente.** El uso de dispositivos recolectores de polvo puede disminuir los riesgos relacionados con el polvo.

• No permita que la familiaridad por el uso frecuente de las herramientas lo hagan sentirse seguro e ignorar los principios de seguridad de las herramientas. Un descuido puede provocar lesiones graves en una fracción de segundo.

USO Y CUIDADO DE LAS HERRAMIENTAS ELÉCTRICAS

- **No fuerce la herramienta eléctrica.** Utilice la herramienta eléctrica correcta para su aplicación. La herramienta eléctrica correcta realizará el trabajo mejor y con mayor seguridad a la velocidad para la que fue diseñada.
- **No utilice la herramienta eléctrica si el interruptor no la enciende y la apaga.** Cualquier herramienta eléctrica que no pueda controlarse con el interruptor es peligrosa y debe repararse.
- **Desconecte el enchufe de la fuente de energía y/o quite la batería de la herramienta eléctrica, si es posible, antes de realizar cualquier ajuste, cambiar accesorios o almacenar las herramientas eléctricas.** Tales medidas preventivas de seguridad disminuyen el riesgo de que la herramienta eléctrica se encienda accidentalmente.
- **Almacene las herramientas eléctricas que no se estén utilizando fuera del alcance de los niños y no permita que personas que no estén familiarizadas con la herramienta eléctrica o con estas instrucciones la utilicen.** Las herramientas eléctricas son peligrosas en manos de usuarios sin capacitación.
- **Dé mantenimiento a las herramientas eléctricas y accesorios.** Verifique que no haya desalineación, amarre de partes móviles, partes rotas o alguna otra condición que pueda afectar el funcionamiento de la herramienta eléctrica. Si se daña, asegúrese de que la herramienta eléctrica sea reparada antes de que se utilice. Muchos accidentes son ocasionados por herramientas eléctricas con mantenimiento deficiente.
- **Mantenga las herramientas de corte afiladas y limpias.** Las herramientas de corte correctamente mantenidas con bordes de corte afilados son menos propensas a atorarse y son más fáciles de controlar.
- **Utilice la herramienta eléctrica, los accesorios y las puntas, etc. de acuerdo con estas instrucciones, tomando en cuenta las condiciones de trabajo y el trabajo a realizar.** El uso de la herramienta eléctrica para operaciones diferentes a las previstas podría generar una situación peligrosa.

- **Mantenga las empuñaduras y ñas superficies de sujeción secas, limpias y libres de aceite y grasa.** Las empuñaduras y superficies de sujeción resbalosas no permiten el manejo y control seguros de la herramienta en situaciones inesperadas.

USO Y CUIDADO DE LAS HERRAMIENTAS CON BATERÍA

- **Recargue únicamente con el cargador especificado por el fabricante.** Un cargador que es adecuado para un tipo de batería puede crear un riesgo de incendio si se utiliza con otra batería.
- **Utilice las herramientas eléctricas únicamente con baterías específicamente diseñadas.** El uso de cualquier otra batería puede producir un riesgo de lesiones e incendio.
- **Cuando la batería no esté en uso, manténgala alejada de otros objetos metálicos como sujetapapeles, monedas, llaves, clavos, tornillos u otros objetos metálicos pequeños que puedan formar una conexión de una terminal a otra.** Crear un corto entre las terminales de la batería puede ocasionar quemaduras o un incendio.
- **Bajo condiciones de maltrato, el líquido puede ser expulsado de la batería, evite el contacto. En caso**

de contacto accidental, lave con agua. Si el líquido entra en contacto con los ojos, busque además ayuda médica. El líquido expulsado de la batería puede causar irritación o quemaduras.

- **No use una batería o herramienta que se haya dañado o modificado.** Las baterías dañadas o modificadas pueden mostrar un comportamiento impredecible, causando incendios, explosión o riesgo de lesión.
- **No exponga una batería o herramienta al fuego o a temperatura excesiva.** La exposición a fuego o temperatura a más de 130° C (265° F) puede causar explosiones.
- **Siga todas las instrucciones de carga y no cargue la batería o la herramienta fuera del rango de temperatura especificado en las instrucciones.** La carga incorrecta o a temperaturas fuera del rango especificado puede dañar la batería y aumentar el riesgo de incendio.

MANTENIMIENTO

- **Lleve su herramienta eléctrica a servicio con un técnico calificado que use únicamente piezas de reemplazo idénticas.** Esto asegurará que la seguridad de la herramienta eléctrica se mantenga.
- **Nunca dé servicio a baterías dañadas.** Únicamente el fabricante o proveedores de servicio autorizados deben dar servicio a las baterías.

REGLAS ESPECÍFICAS DE SEGURIDAD PARA SOPORTE DE TALADRO DE NÚCLEO COMPACTO

- **Sujete la herramienta eléctrica con superficies de agarre aisladas cuando realice una operación en la que el accesorio de corte o los sujetadores puedan ponerse en contacto con el cableado oculto.** El accesorio de corte o sujetadores en contacto con un alambre "en vivo" puede hacer que las partes metálicas expuestas de la herramienta eléctrica "en vivo" y podría dar al operador una descarga eléctrica.
- **Asegure siempre el soporte a la superficie de trabajo para ayudar a prevenir lesiones personales y proteger el soporte. No confíe en el peso del soporte, el pasador de apuntalamiento solo o el peso corporal en el soporte para asegurar durante el uso.** Un soporte no seguro podría rotar durante el perforación y posiblemente causar lesiones. Nunca confíe en el PIN de apuntalamiento solo para asegurar.
- **Al sujetar la base del taladro con anclas o sujetadores a la pieza de trabajo, asegúrese de que las anclas utilizadas sean capaces de sujetar la máquina e impedir que se mueva durante su uso.** Si la pieza de trabajo es débil o porosa, el ancla puede salirse, ocasionando que la base del taladro se suelte de la pieza de trabajo.
- **Cuando asegure el soporte de perforación utilizando las juntas de vacío de la pieza de trabajo con una bomba de vacío, instale el soporte sobre una superficie lisa, limpia y no porosa. No la sujete a superficies laminadas como azulejo y recubrimientos compuestos.** Si la pieza de trabajo no es lisa, plana o no está bien fija, la ventosa puede separarse de la pieza de trabajo.
- **Asegúrese de que haya suficiente vacío antes y durante la perforación.** Si el vacío es insuficiente, la ventosa puede soltarse de la pieza de trabajo.
- **Nunca perfore con la máquina fijada únicamente con la ventosa de vacío, excepto cuando perfore hacia abajo.** Si se pierde el vacío, la ventosa se soltará de la pieza de trabajo.
- **Al perforar muros o cielos rasos, asegúrese de proteger a las personas y el área de trabajo del otro lado.** La broca puede extenderse por el orificio o el centro puede caer del otro lado.

• Con el fin de minimizar el riesgo de lesiones, siempre utilice la protección de ojos adecuada indicada para cumplir con lo dispuesto en la norma ANSI Z87.1.

• Utilice protectores auditivos al usar un taladro con punta de diamante. La exposición al ruido puede causar pérdida auditiva.

⚠ ADVERTENCIA Para reducir el riesgo de lesiones en aplicaciones que producen una cantidad considerable de polvo, use una solución de extracción de polvo que cumpla con OSHA de acuerdo con las instrucciones de operación de la solución.

• Siga todas las instrucciones y advertencias proporcionadas con el taladro y los accesorios del núcleo. Utilice únicamente un taladro de núcleo y los accesorios específicamente recomendados para esta herramienta. Otros pueden ser peligrosos.

• Válgase siempre de su sentido común y sea cuidadoso cuando utilice herramientas. No es posible anticipar todas las situaciones que podrían tener un desenlace peligroso. No utilice esta herramienta si no entiende estas instrucciones de uso o si considera que el trabajo a realizar supera sus capacidades, comuníquese con Milwaukee Tool o con un profesional capacitado para recibir capacitación o información adicional.

• Conserve las etiquetas y las placas nominales. Contienen información importante. Si son ilegibles o no están presentes, comuníquese con un centro de servicio MILWAUKEE para obtener un reemplazo gratuito.

⚠ ADVERTENCIA Algunos polvos generados por el lijado eléctrico, aserrado, pulido, taladrado y otras actividades de construcción contienen químicos identificados como causantes de cáncer, defectos congénitos u otros daños reproductivos. Algunos ejemplos de estos químicos son:

- plomo de pintura basada en plomo
 - dióxido de silicio de los ladrillos y el cemento y otros productos de albañilería y
 - arsénico y cromo de madera con tratamiento químico.
- Su riesgo por estas exposiciones varía, dependiendo de la frecuencia con que realice este tipo de trabajo. Para reducir su exposición a estos químicos: trabaje en un área bien ventilada y trabaje con equipo de seguridad aprobado, como mascarillas protectoras contra polvo especialmente diseñadas para filtrar partículas microscópicas.

SIMBOLOGÍA



Leer el manual del operador



Use siempre protección ocular, auditiva y respiratoria

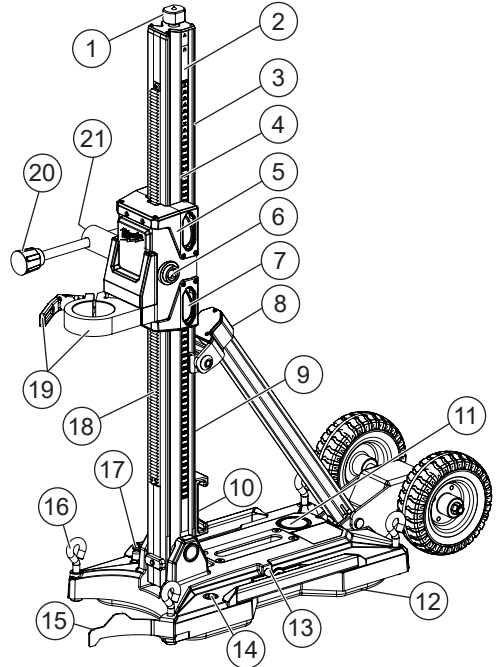


UL Listing Mark para Canadá y Estados Unidos

ESPECIFICACIONES

Cat. No.3000
 Bomba de vacío 49-50-0200
 Kit de empaquetaduras 43-44-0019

DESCRIPCION FUNCIONAL

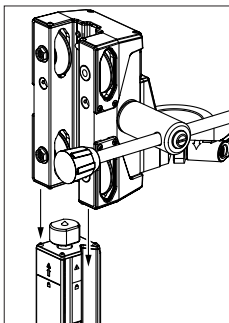
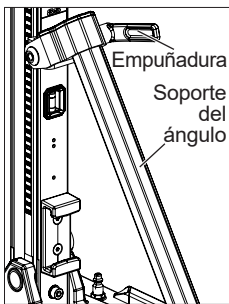


- | | |
|---|--|
| 1. Soporte de apuntalamiento | 10. Almacenamiento de la batería MX FUEL™ |
| 2. Mástil | 11. Vacuómetro |
| 3. Indicador de ángulo (en la parte trasera) | 12. Empaquetaduras |
| 4. Indicador de profundidad | 13. Pasador de liberación del sistema de vacío |
| 5. Ensamblado del transportador | 14. Nivel de 360° |
| 6. Ubicación de la empuñadura de alimentación | 15. Indicador del centro |
| 7. Ruedas del transportador (4) | 16. Pernos de ojo (4) |
| 8. Soporte del ángulo con empuñadura | 17. Acoplador del sistema de vacío |
| 9. Nivel de burbuja (en la parte trasera) | 18. Rejilla |
| | 19. Placa de montaje con empuñadura |
| | 20. Empuñadura de alimentación |
| | 21. Botón de la empuñadura de alimentación |

ENSAMBLAJE

Ensamblado de los soportes de la perforadora de cilindros

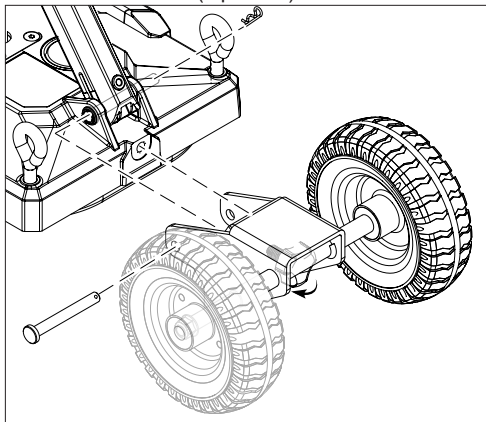
1. Coloque la base en el piso.
2. Levante el mástil verticalmente al ángulo deseado.
3. Apriete fuertemente la empuñadura del soporte del ángulo. Si la empuñadura no puede girar completamente debido a la orientación establecida, jale la empuñadura, gire de vuelta, empuje, apriete y repita.
4. Deslice el ensamblado del transportador hacia el mástil, que coincidan las ruedas del transportador con las ranuras en el mástil.



NOTA: Con el paso del tiempo, el ensamblado del transportador puede aflojarse y necesitará apretarse (ver "Ajuste del ensamblado del transportador" en la sección de Mantenimiento).

5. Oprima el botón de la empuñadura de alimentación e inserte la empuñadura de alimentación dentro de uno de los lugares de la empuñadura. Libere el botón. Asegúrese de que la empuñadura se enganche en su lugar.
6. Gire la empuñadura de alimentación para descender o elevar el transportador. Cuando el transportador esté completamente elevado, puede separarse del mástil.

Ensamblado para sujetar la rueda (Opcional)



1. Coloque la base en el piso hacia arriba.
2. Alinee los orificios en la base de la rueda con la parte trasera del soporte, como se muestra.

3. Inserte el perno por los orificios que conectan el ensamblado de la rueda a la base e inserte el pasador por el orificio en el extremo del perno.
4. Apriete con firmeza la perilla enroscada en el extremo posterior del ensamblado de la rueda.

Montar la perforadora de cilindros al soporte

⚠ADVERTENCIA Para reducir el riesgo de lesiones, desenchufe siempre la herramienta o quite la batería antes de instalar el taladro.

Utilice una perforadora de cilindros MILWAUKEE MX FUEL™ con este soporte.

1. Para montar la perforadora, afloje la empuñadura de la placa de montaje.
2. Coloque la perforadora de cilindros, con el eje hacia abajo, en la placa para montar.
3. Apriete con la mano la empuñadura de la placa para montar. Si la perforadora de cilindros evita que la empuñadura de la placa para montar gire completamente, jale la empuñadura, gire de vuelta, empuje, apriete y repita.
4. Después de montar la perforadora de cilindros, asegúrese de que el transportador esté rígido contra el mástil. Un transportador flojo puede permitir que la perforadora o la broca esté tambaleante durante la perforación. Contonee la perforadora de adelante hacia atrás y de lado a lado. Si se mueve, apriete la placa para montar. Si la perforadora sigue sintiéndose floja, consulte el "Ajuste del ensamblado del transportador" en la sección de Mantenimiento para obtener más información.
5. Para retirar la perforadora, afloje la empuñadura de la placa para montar y aleje la perforadora del soporte.

OPERACION

⚠ADVERTENCIA Con el fin de minimizar el riesgo de lesiones, siempre utilice la protección de ojos adecuada indicada para cumplir con lo dispuesto en la norma ANSI Z87.1.

Al momento de realizar trabajos en situaciones donde haya presencia de polvo, utilice la protección respiratoria adecuada o utilice una solución de extracción de polvo que cumpla con los requisitos de la OSHA.

Métodos para fijar el equipo a la superficie de trabajo

⚠ADVERTENCIA Para reducir el riesgo de lesión, siempre fije el soporte a la superficie de trabajo para ayudar a prevenir lesiones personales y proteger el soporte. Un soporte mal fijado podría girar durante la perforación y posiblemente provocar una lesión. Nunca dependa únicamente del soporte de apuntalamiento para fijar.

Siempre asegúrese de que el soporte esté montado rigidamente con un anclaje expansor o sistema de vacío. **⚠ADVERTENCIA!** No dependa del peso del soporte, del soporte de apuntalamiento únicamente o del peso corporal en el soporte para fijar durante el uso. El soporte girará y provocará lesiones.

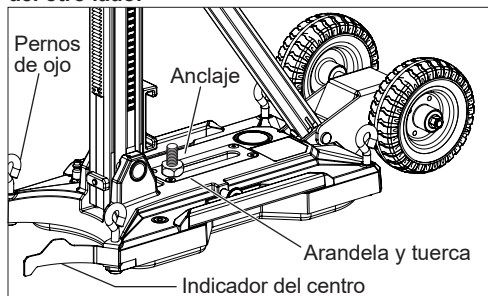
Cualquier movimiento o vibración acortará la duración de la broca de perforación. Si se mueve la perforadora o la broca, apriete el sistema para montar. Si la perforadora o la broca siguen moviéndose, consulte el "Ajuste del ensamblado del transportador" en la sección de Mantenimiento para obtener más información.

Algunos materiales de construcción contienen refuerzos de acero. Las brocas de la perforadora de cilindros de MILWAUKEE pueden cortar el acero incrustado, pero no se recomiendan para perforar placas de acero sólido.

Uso de anclaje expansor

Para la perforación vertical (pared) u horizontal (piso)

ADVERTENCIA Al perforar muros o cielos rasos, proteja a las personas y el área de trabajo del otro lado. La broca puede extenderse por el orificio o el centro puede caer del otro lado.



Los anclajes expansores son el método más rígido y pueden utilizarse para perforaciones verticales (pared) y horizontales (piso). Utilice un anclaje de 16 mm o 19 mm (5/8" o 3/4") con una varilla roscada integral, arandela y tuerca (no incluidas).

1. Localice la posición del anclaje expansor midiendo 254 mm de 356 mm (10" de 14") desde el centro del orificio que se perforará.
2. Configure su anclaje de acuerdo a las instrucciones del fabricante del anclaje.
3. Posicione el soporte sobre el anclaje, como se muestra. El anclaje debe extenderse por la ranura en el centro del soporte.
4. Coloque la arandela y la tuerca sobre el anclaje y apriete con la mano.
5. Extienda el indicador del centro y alinee con el centro del orificio que se perforará.
6. Apriete con firmeza la tuerca del anclaje.
7. Retire el **indicador** del centro.

Ensamblado y uso de un sistema de vacío (Accesorio opcional)

Para perforación horizontal (piso)

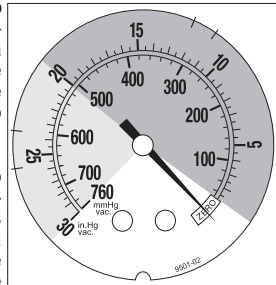
ADVERTENCIA Para reducir el riesgo de lesiones, siempre utilice un anclaje de expansión durante la perforación vertical. Los sistemas de vacío pueden resbalarse cuando se utilizan en una superficie vertical.

Al fijar el soporte a la pieza de trabajo con una bomba de vacío, instale el soporte sobre una superficie lisa, limpia y no porosa, como concreto vaciado. No lo sujete a superficies laminadas como azulejo y recubrimientos compuestos. Si la pieza de trabajo no es lisa, plana o no está bien fija, las empaquetaduras pueden separarse de la pieza de trabajo, provocando que se mueva el soporte. Si la superficie es muy porosa o áspera, el sistema de vacío podría no fijarse con firmeza o crear un sello completo. Antes de utilizar el sistema de vacío:

- Siempre revise por debajo de la base que las empaquetaduras no estén desgastadas, rotas o rasgadas. Reemplace inmediatamente empaquetaduras desgastadas o dañadas. Para reemplazar las empaquetaduras, consulte "Reemplazar las empaquetaduras del sistema de vacío" en la sección de "Mantenimiento".
- Asegúrese de que el indicador esté en 0 pulgadas de mercurio.

1. Afloje los (4) pernos de ojo hasta que los extremos estén por encima de la superficie de la base.
2. Extienda el indicador del centro y alinee con el centro del orificio que se perforará.
3. Coloque la bomba de vacío hacia un lado sobre una superficie seca, alejada del soporte.
4. Conecte la manguera de vacío al acoplador del sistema de vacío en la base del soporte, como lo recomienda el fabricante del sistema de vacío.
5. Enchufe la bomba de vacío y enciéndala.
6. Pise hacia abajo el centro de la base hasta que descienda y se adhiera a la superficie de trabajo. Si el soporte no sella, revise el pasador de liberación del sistema de vacío para asegurarse de que no tenga una fuga en su alrededor.

7. Siga vigilando el sello de vacío. El vacuómetro se utiliza para asegurarse de que haya suficiente presión de vacío para mantener el soporte en su lugar. El vacuómetro debe leer un mínimo de 20 pulgadas de mercurio (zona verde), que indique que hay suficiente presión de vacío para soportar la perforación. Si el indicador está en la zona roja (0" a 20" Hg), no hay suficiente presión de vacío. **ADVERTENCIA!** Para reducir el riesgo de lesiones, **NO PERFORE** si el indicador lee menos de 20" Hg.



8. Una vez que el vacuómetro lea entre 20" - 30" Hg, utilice cuatro (4) pernos de ojo para nivelar el soporte. **ADVERTENCIA!** Apretar de más puede levantar la empaquetadura del piso y liberar el vacío. Después de nivelar, revise de nuevo el vacuómetro.
9. Para **liberar** el sello de vacío, apague la bomba de vacío y retire el pasador de liberación del sistema de vacío.

ADVERTENCIA Para reducir el riesgo de lesiones siempre asegure el soporte a la superficie de trabajo para ayudar a prevenir lesiones personales y para proteger el soporte. Un soporte no seguro podría rotar durante el perforación y posiblemente causar lesiones. Nunca confíe en el pin de apuntalamiento solo para asegurar.

Utilizar el soporte de apuntalamiento

Para tener más rigidez al usar un anclaje expansor o sistema de vacío, utilice el soporte de apuntalamiento y un refuerzo.

1. Fije el soporte con un anclaje expansor o un sistema de vacío. **ADVERTENCIA!** Nunca dependa únicamente del soporte de apuntalamiento para fijar.

- Utilice cuatro (4) pernos de ojo para nivelar el soporte.
- Utilice un tubo o madera (p. ej., una pieza de madera de 4 x 4) para reforzar el soporte entre una estructura sólida y la parte superior del soporte.
- Apriete el soporte de apuntalamiento contra el refuerzo para aumentar la estabilidad del soporte.

Extracción

⚠ADVERTENCIA Con el fin de minimizar el riesgo de lesiones, siempre utilice la protección de ojos adecuada indicada para cumplir con lo dispuesto en la norma ANSI Z87.1.

Al momento de realizar trabajos en situaciones donde haya presencia de polvo, utilice la protección respiratoria adecuada o utilice una solución de extracción de polvo que cumpla con los requisitos de la OSHA.

Siga todas las instrucciones y advertencias incluidas en los accesorios de la perforadora de cilindros. Utilice únicamente una perforadora de cilindros y accesorios específicamente recomendados para esta herramienta. Puede ser peligroso utilizar otros.

Al perforar muros o cielos rasos, proteja a las personas y el área de trabajo del otro lado. La broca puede extenderse por el orificio o el centro puede caer del otro lado.

- Fije el soporte con un anclaje expansor o un sistema de vacío.
- Instale la perforadora en el soporte.
- Utilice cuatro (4) pernos de ojo para nivelar el soporte.
- Ajuste el transportador del soporte e instale una broca.
- Ajuste el soporte al ángulo deseado.
- Asegúrese de que todos los ajustes estén fijos y el indicador del centro esté retraído.
- Encienda la herramienta según las instrucciones del fabricante de la perforadora.
- Baje la perforadora en el lugar de trabajo con la empuñadura de alimentación y siga perforando según las instrucciones del fabricante de la perforadora y sus accesorios.
- Cuando termine, utilice la empuñadura de alimentación para elevar el espacio de la broca del orificio y apague la perforadora.

MANTENIMIENTO

⚠ADVERTENCIA Para reducir el riesgo de una lesión, desconecte siempre la herramienta antes de darle cualquier mantenimiento. Nunca desarme la herramienta ni trate de hacer modificaciones en el sistema eléctrico de la misma. Acuda siempre a un Centro de Servicio MILWAUKEE para TODAS las reparaciones.

Mantenimiento de la herramienta

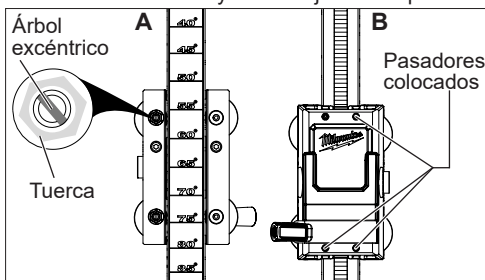
Inicie un programa de mantenimiento regular para mantener sus herramientas en buen estado. Inspeccione que no haya problemas en sus herramientas como ruido excesivo, desalineación, amarre de partes móviles, partes rotas o alguna otra condición que pueda afectar su funcionamiento. Devuelva las herramientas a un centro de servicio MILWAUKEE para repararlas.

Ajuste del ensamblado del transportador

Con el tiempo, puede aflojarse el ensamblado del transportador y necesita apretarse.

- Retire la perforadora y todos los accesorios. **¡ADVERTENCIA!** Siempre retire la herramienta eléctrica y todos los accesorios antes de realizar cualquier mantenimiento.
- Cuando el transportador está flojo de lado a lado, apriete los dos ensamblados del árbol excéntrico/tuerca (A).
 - Afloje ligeramente la tuerca exterior.
 - Apriete manualmente el árbol excéntrico con un destornillador plano a 1 - 5 pulgadas-libra.
 - Apriete manualmente la tuerca exterior a 120 a 130 pulgadas-libra.
- Cuando el transportador está flojo de adelante hacia atrás, apriete los cuatro pasadores colocados (B). Utilice una llave hexagonal de 4 mm para apretar los pasadores a 2,5 a 7 (pulgadas-libras).

NOTA: Apretar de más el ensamblado dificultará el movimiento hacia arriba y hacia abajo del transportador.



Lubricación de la rejilla

Mantenga una capa ligera de grasa tipo "P" o "J" de MILWAUKEE en la rejilla para reducir la fricción y el desgaste cuando la transportadora se mueva hacia arriba y hacia abajo.

Reemplazo de las empaquetaduras del sistema de vacío

Con el uso normal, las empaquetaduras de hule debajo de la base pueden desgastarse, necesitando reemplazarse.

- Retire la perforadora y todos los accesorios. **¡ADVERTENCIA!** Siempre retire la herramienta eléctrica y todos los accesorios antes de realizar cualquier mantenimiento.
- Coloque el soporte recostado de lado.
- Afloje los (4) pernos de ojo hasta que los extremos estén por encima de la superficie de la base.
- Jale las empaquetaduras viejas de las ranuras y deseche.
- Coloque una empaquetadura nueva (Cat. No. 43-44-0019) en ambas ranuras y oprima firmemente en su lugar.
- Coloque el soporte hacia arriba y presione todos los bordes para asentar completamente la empaquetadura en el soporte.

Limpieza

Mantenga las asas limpias, secas y sin aceite o grasa. Use solamente jabón suave y un paño húmedo para limpiar, puesto que ciertos agentes de limpieza y solventes son dañinos para los plásticos y otras partes aisladas. Algunos de estos incluyen gasolina, trementina, adelgazador de barniz, adelgazador de

pintura, solventes de limpieza con cloro, amoníaco y detergentes caseros que contienen amoníaco. Nunca use solventes inflamables o combustibles alrededor de las herramientas.

Repairs

Para reparaciones, devuelva la herramienta a su centro de servicio más cercano.

ACCESORIOS

ADVERTENCIA Utilice sólo los accesorios específicamente recomendados. Otros accesorios puede ser peligrosos.

Para una lista completa de accesorios, visite nuestro sitio en Internet: www.milwaukeeool.com o póngase en contacto con un distribuidor.

SOPORTE DE SERVICIO - MEXICO

CENTRO DE ATENCION A CLIENTES

Techtronic Industries Mexik, S.A. de C.V.

Av. Presidente Masarik 29 Piso 7

11560 Polanco V Seccion

Miguel Hidalgo, Distrito Federal, México

01 (800) 030-7777 o (55) 4160-3540

Lunes a Viernes (9am a 6pm)

O contáctanos en www.milwaukeeool.com.mx

GARANTÍA LIMITADA - E.U.A. Y CANADÁ

Cada el producto, batería y cargador MX FUEL™ de MILWAUKEE únicamente está garantizados para el comprador original únicamente de que no tengan material y mano de obra defectuosos. Conforme a ciertas excepciones, MILWAUKEE reparará o reemplazará cualquier pieza de el producto, batería y cargador MX FUEL™ que tenga defectos de material o mano de obra según lo determine MILWAUKEE mediante una revisión, por un periodo de dos (2) años después de la fecha de compra. Al devolver el producto, batería y cargador MX FUEL™ a un Centro de Servicio de la fábrica de MILWAUKEE o a una Estación de Servicio Autorizada de MILWAUKEE, se requiere que el flete esté pagado por adelantado y asegurado. Para consultar información acerca del procedimiento de envío adecuado de las baterías, comuníquese al número 1.800.SAWDUST (1.800.729.3878) o visite el sitio web www.milwaukeeool.com. Se debe incluir una copia del comprobante de compra con el producto devuelto. Esta garantía no aplica a daños que MILWAUKEE determine que son ocasionados por reparaciones o intentos de reparaciones realizados por una persona que no sea personal autorizado de MILWAUKEE, uso indebido, alteraciones, maltrato, desgaste normal, falta de mantenimiento o accidentes.

Desgaste normal: Muchos productos MX FUEL™ necesitan la sustitución periódica de sus piezas así como de mantenimiento para brindar su máximo rendimiento. Esta garantía no cubre reparaciones cuando el uso normal haya agotado la vida útil de una pieza que incluye, entre otros, las bandas de accionamiento y de asistencias, las poleas, las bridas de disco, las juntas de vacío, las empuñaduras sin herramientas, los broches de guía, los patines, los acopladores de accionamiento, las zapatas de goma, la alimentación automática, los bloques estabilizadores, las ruedas, las ruedas de transportación, los cables, los anillos tóricos, los sellos, los protectores, las hojas de accionamiento, los pistones, los percutores, los levantadores, los portaherramientas y las arandelas de cubierta de los protectores. No se requiere el registro de la garantía para obtener la garantía correspondiente en un producto, batería y cargador MX FUEL™.

LA ACEPTACIÓN DE LOS RESARCIMIENTOS EXCLUSIVOS DE REPARACIÓN Y REEMPLAZO AQUÍ DESCRITOS ES UNA CONDICIÓN DEL CONTRATO PARA LA COMPRA DE TODO PRODUCTO DE MILWAUKEE. SI USTED NO ACEPTA ESTA CONDICIÓN, NO DEBE COMPRAR EL PRODUCTO. MILWAUKEE NO SERÁ RESPONSABLE EN NINGÚN CASO DE DAÑOS INCIDENTALES, ESPECIALES, EMERGENTES O PUNITIVOS NI DE NINGÚN COSTO, HONORARIOS LEGALES, GASTOS, PÉRDIDAS O DE-

MORAS ALEGADOS COMO CONSECUENCIA DE ALGÚN DAÑO, FALLA O DEFECTO EN NINGÚN PRODUCTO, INCLUYENDO, ENTRE OTROS, RECLAMACIONES POR PÉRDIDA DE UTILIDADES. ALGUNOS ESTADOS NO PERMITEN LA EXCLUSIÓN O LIMITACIÓN DE RESPONSABILIDAD POR DAÑOS INCIDENTALES O EMERGENTES, POR LO QUE LA ANTERIOR LIMITACIÓN O EXCLUSIÓN PODRÍA NO APLICARSE A SU CASO. ESTA GARANTÍA ES EXCLUSIVA Y REEMPLAZA TODAS LAS DEMÁS GARANTÍAS EXPRESAS, ESCRITAS U ORALES. EN LA MEDIDA EN QUE LO PERMITA LA LEY, MILWAUKEE DESCONOCE CUALQUIER GARANTÍA IMPLÍCITA, INCLUYENDO, ENTRE OTRAS, CUALQUIER GARANTÍA IMPLÍCITA DE COMERCIABILIDAD O IDONEIDAD PARA UN FIN O USO ESPECÍFICO. EN LA MEDIDA EN QUE DICHO DESCARGO NO ESTÉ PERMITIDO POR LA LEY, DICHAS GARANTÍAS IMPLÍCITAS ESTÁN LIMITADAS A LA DURACIÓN DE LA GARANTÍA EXPRESA CORRESPONDIENTE QUE SE DESCRIBIÓ CON ANTERIORIDAD. ALGUNOS ESTADOS NO PERMITEN LIMITACIONES EN DURACIÓN DE UNA GARANTÍA IMPLÍCITA, POR LO QUE LA ANTERIOR LIMITACIÓN PODRÍA NO APLICARSE A SU CASO. ESTA GARANTÍA LE DA DERECHOS LEGALES ESPECÍFICOS Y USTED PODRÍA ADEMÁS TENER OTROS DERECHOS QUE VARIAN DE UN ESTADO A OTRO.

Esta garantía aplica a productos vendidos únicamente en los EE. UU. y Canadá.

Consulte la sección "Buscar centro de servicio" en la sección de "Piezas y servicio" del sitio web de MILWAUKEE en <http://www.milwaukeeool.com> o llame al número 1.800.SAWDUST (1.800.729.3878) para localizar su centro de servicio más cercano para fines de servicio, con y sin garantía, en un producto, batería y cargador MX FUEL™.

PÓLIZA DE GARANTÍA - VALIDA SOLO PARA MEXICO, AMÉRICA CENTRAL Y EL CARIBE

La garantía de TECHTRONIC INDUSTRIES es por 2 años a partir de la fecha original de compra.

Esta tarjeta de garantía cubre cualquier defecto de material y mano de obra en ese Producto.

Para hacer válida esta garantía, presente esta tarjeta de garantía, cerrada/sellada por el distribuidor o la tienda donde compró el producto, al Centro de Servicio Autorizado (ASC). O, si esta tarjeta no se ha cerrado/sellado, presente la prueba original de compra a ASC. Llame 55 4160-3547 para encontrar el ASC más cercano, para servicio, partes, accesorios o componentes.

Procedimiento para hacer válida esta garantía

Lleve el producto a ASC, junto con la tarjeta de garantía cerrada/sellada por el distribuidor o la tienda donde compró el producto, y cualquier pieza o componente defectuoso se reemplazará sin costo para usted. Cubriremos todos los costos de flete con relación a este proceso de garantía

Excepciones

Esta garantía no tendrá validez en las siguientes situaciones:

- Cuando el producto se use de manera distinta a la que indica el manual del usuario final o de instrucciones.
- Cuando las condiciones de uso no sean normales.
- Cuando otras personas no autorizadas por TECHTRONIC INDUSTRIES modifiquen o reparen el producto.

Nota: si el juego de cables está dañado, puede ser reemplazado en un Centro de Servicio Autorizado para evitar riesgos eléctricos.

CENTRO DE SERVICIO Y ATENCIÓN

Llame al 55 4160-3547

IMPORTADO Y COMERCIALIZADO POR

TECHTRONIC INDUSTRIES, MÉXICO, S.A. DE C.V.

Miguel de Cervantes Saavedra No.301 Piso 5, Torre Norte

11520 Colonia Ampliación Granada

Miguel Hidalgo, Ciudad de Mexico, Mexico

Modelo: _____

Fecha de Compra: _____

Sello del Distribuidor: _____

MILWAUKEE TOOL
13135 West Lisbon Road
Brookfield, WI 53005 USA

58140256d1
08/19

961013138-01(A)
Printed in China