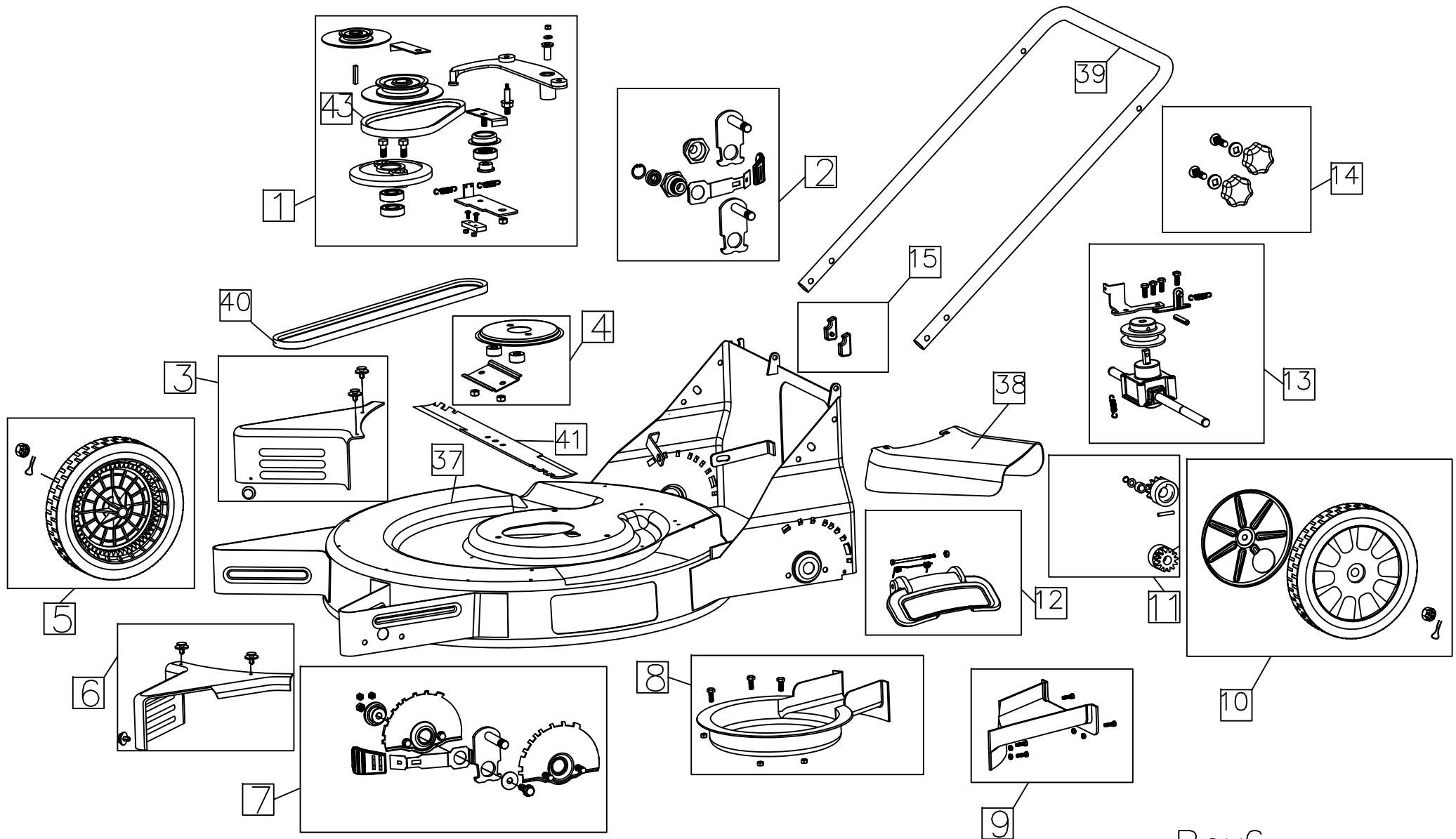
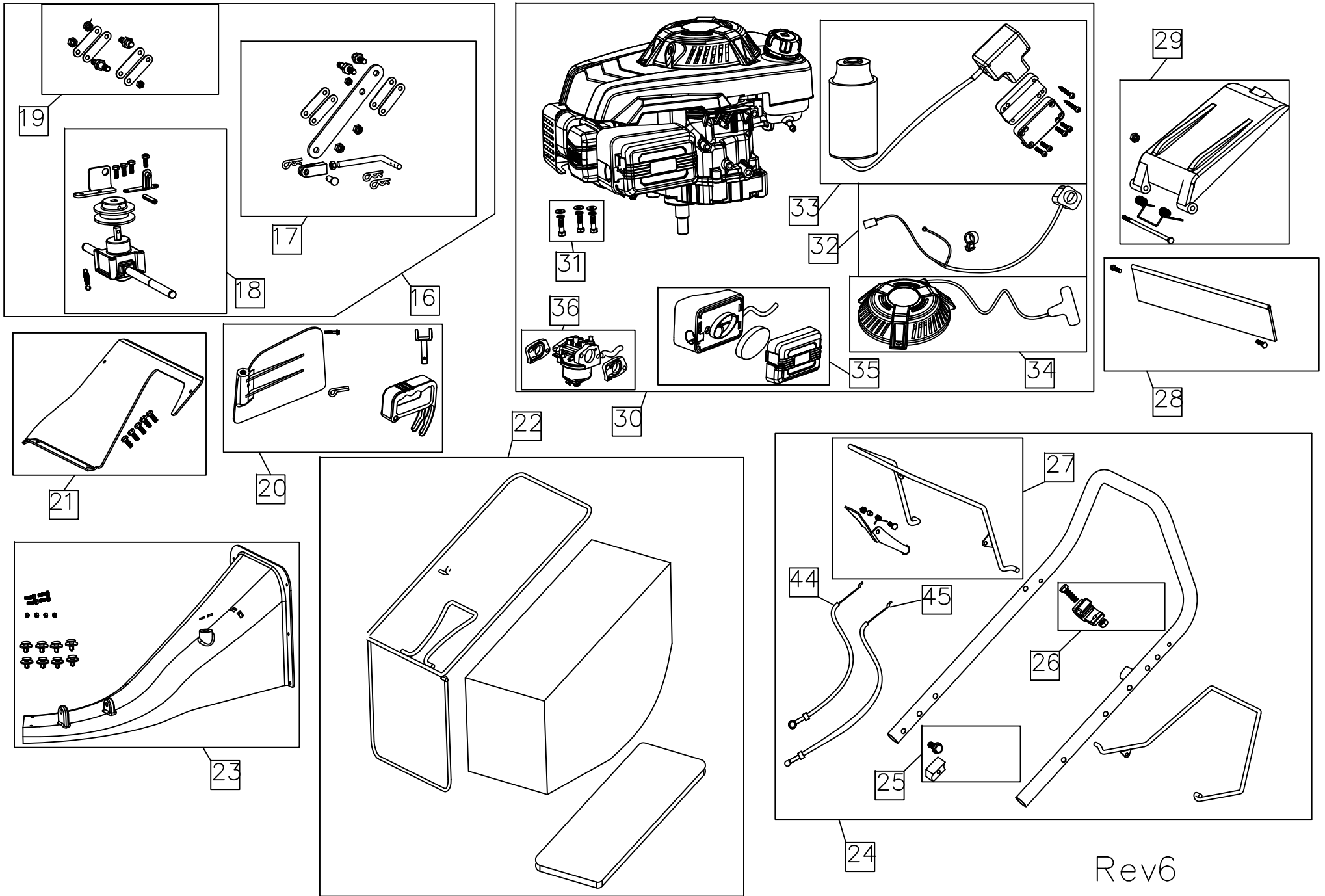


26"WAM Turf Beast Parts Diagram Drawing





26" Wide Area Mower Parts List

Item #	Part Number	Description
1	SP15-000453	Blade Brake Clutch (BBC) assembly parts (includes clutch, belt, pulley, brake, spring, and hardware)
2	SP17-000454	Rear height adjust assembly parts (includes height handle, bearing, and pivot) - Use for rear wheel
3	SP15-000455	Right height adjust assembly parts (includes plastic cover)
4	SP15-000456	Clutch Bottom Cover Kit (includes clutch cover, bushing, and blade reinforce)
5	SP15-000457	Front Wheel Kit (includes one wheel, nut, and pin)
6	SP15-000458	Left height adjust assembly parts (includes plastic cover)
7	SP17-000459	Front height adjust assembly parts (includes height handle bearing pivot)
8	SP15-000460	Blade Brake Clutch Bottom Cover Kit (includes bottom cover and hardware)
9	SP15-000461	Bottom Cover Kit (includes bottom cover and hardware) - Use for the chute
10	SP17-000462	Rear Wheel Kit (includes one wheel, nut, and wheel cover)
11	SP15-000463	Transmission Gear Kit (includes right and left gear, bushing, washer, and ring)
12	SP15-000464	Discharge Assembly (includes spring, door, and hardware)
13	SP15-000465	Transmission Device Kit (includes transmission mount, spring, big pulley, and hardware)
14	SP15-000466	Handle Knob Kit (includes two knob nuts and hardware)
15	SP15-000467	Bagging Target Kit
16	SP15-000468	Transmission System for WAM (includes Transmission Device Kit, Variable Speed Kit - LEFT, Variable Speed Kit - RIGHT)
17	SP15-000469	Variable Speed Kit - RIGHT
18	SP15-000470	Transmission Device Kit (includes transmission mount, spring, small pulley, and hardware)
19	SP15-000471	Variable Speed Kit - LEFT
20	SP15-000472	Discharge chute, latch, and hardware
21	SP15-000473	Top plastic cover and hardware
22	SP15-000474	Clippings bag and bag mount, plastic
23	SP15-000475	Main discharge chute and hardware
24	SP15-000476	Handle Bar - UPPER (includes cables, blade engagement handle, and hardware)
25	SP15-000477	Blade engagement handle lock stop, plastic
26	SP15-000478	Cable mount and hardware
27	SP15-000479	Blade engagement handle and safety mechanism kit
28	SP15-000480	Rear rubber protector and hardware kit
29	SP15-000481	Rear plastic cover, spring, bolt and hardware
30	SP15-000482	Engine Assembly - 208cc (includes electric starter, air cleaner, carburetor kit, recoil assembly, ON/Off switch, and hardware)
31	SP15-000483	Engine assembly hardware kit
32	SP15-000484	Engine ON/OFF switch and wire harness mount
33	SP15-000485	Electric starter, mount, and hardware
34	SP15-000486	Recoil Assembly - 208cc
35	SP15-000487	Air Cleaner
36	SP15-000488	Carburetor Kit
37	M15-001819	Main deck weldment (2mm), M26
38	M15-001869	Side discharge chute
39	M15-001862	Handle bar tube bottom
40	M15-001851	Transmission Belt
41	M15-001838	Blade
42	E14115	Engine Assembly - 208cc - electric starter not included
43	M15-001845	Clutch Belt
44	M15-001916	Transmission Cable
45	M15-001870	Blade Brake Clutch Cable