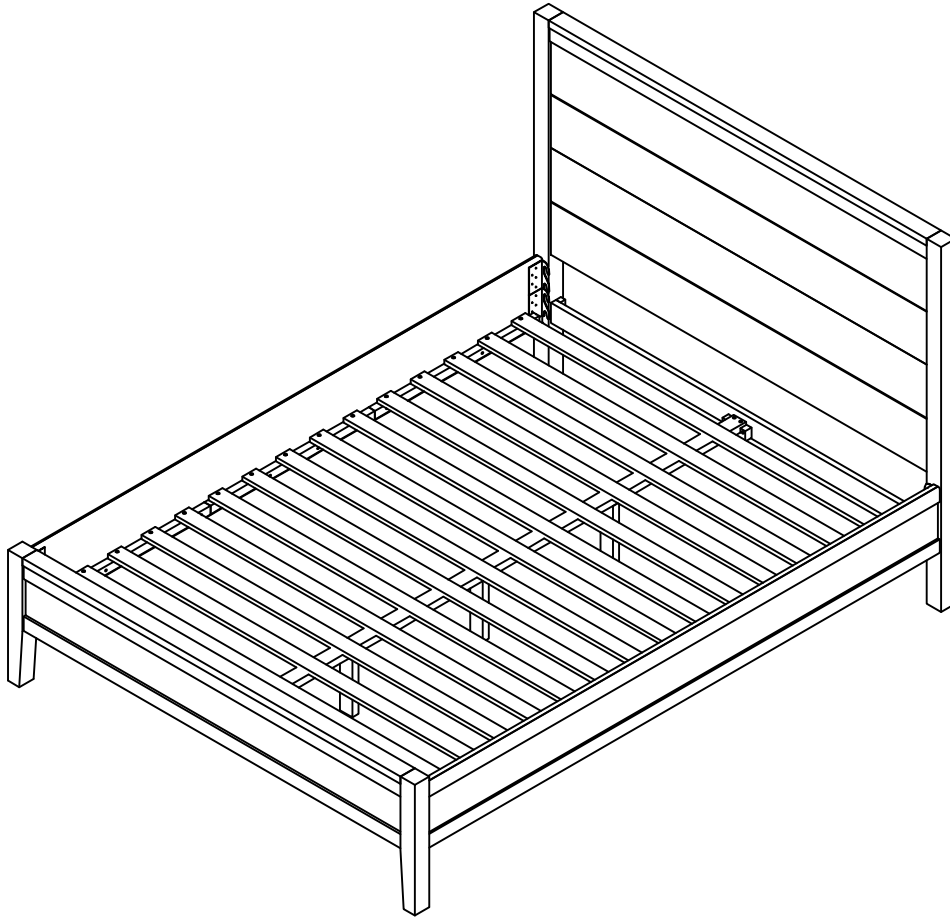


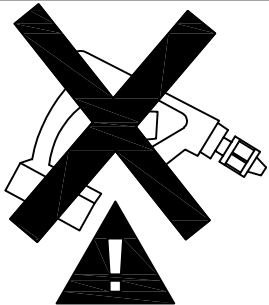
ASSEMBLY INSTRUCTION

Queen Bed

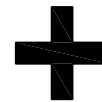
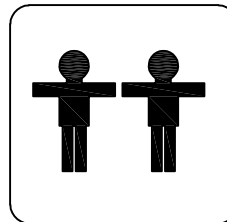


REPLACEMENT PARTS

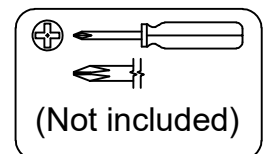
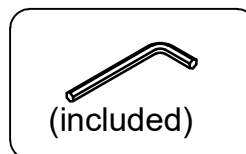
Please do not contact the company purchased from as we can help you faster.
Order replacement parts and hardware at " www.boltonfurniture.com "



. Use of power tool to assemble this product will invalidate any claim and damage this product making it unsafe !!!
. Please assemble on a clean soft surface to avoid damage.

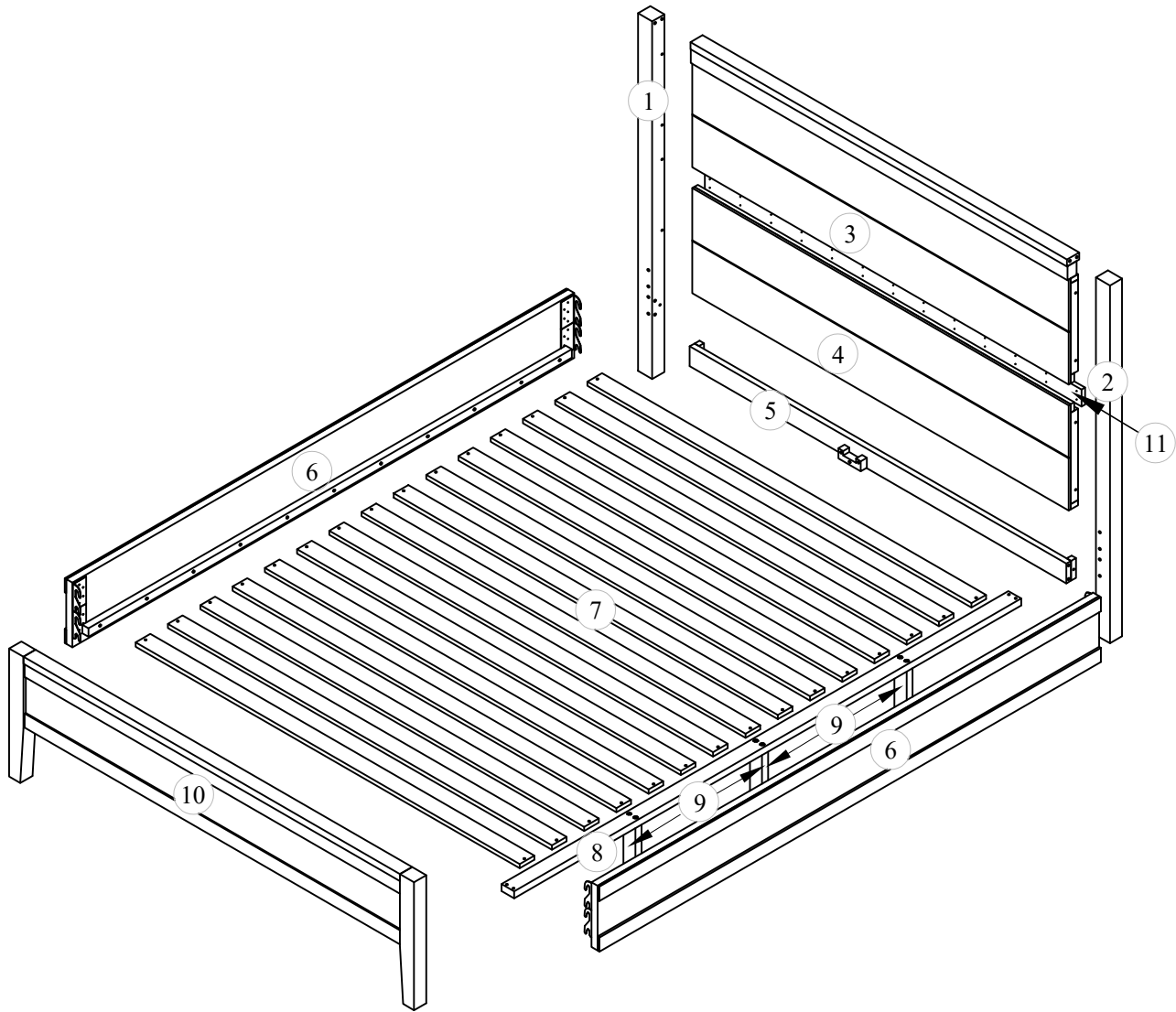


Tools Required



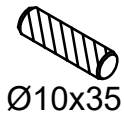
www.boltonfurniture.com

Part list - Queen Bed



Identifying the hardware-Identify the hardware using the illustrations below

A



Ø10x35

08

B



M6x35mm Bolt

16

C



φ4 x 30mm Screw

52

D



M6x30mm Bolt

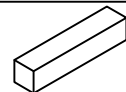
16

E



01

F



Spacer 75 mm

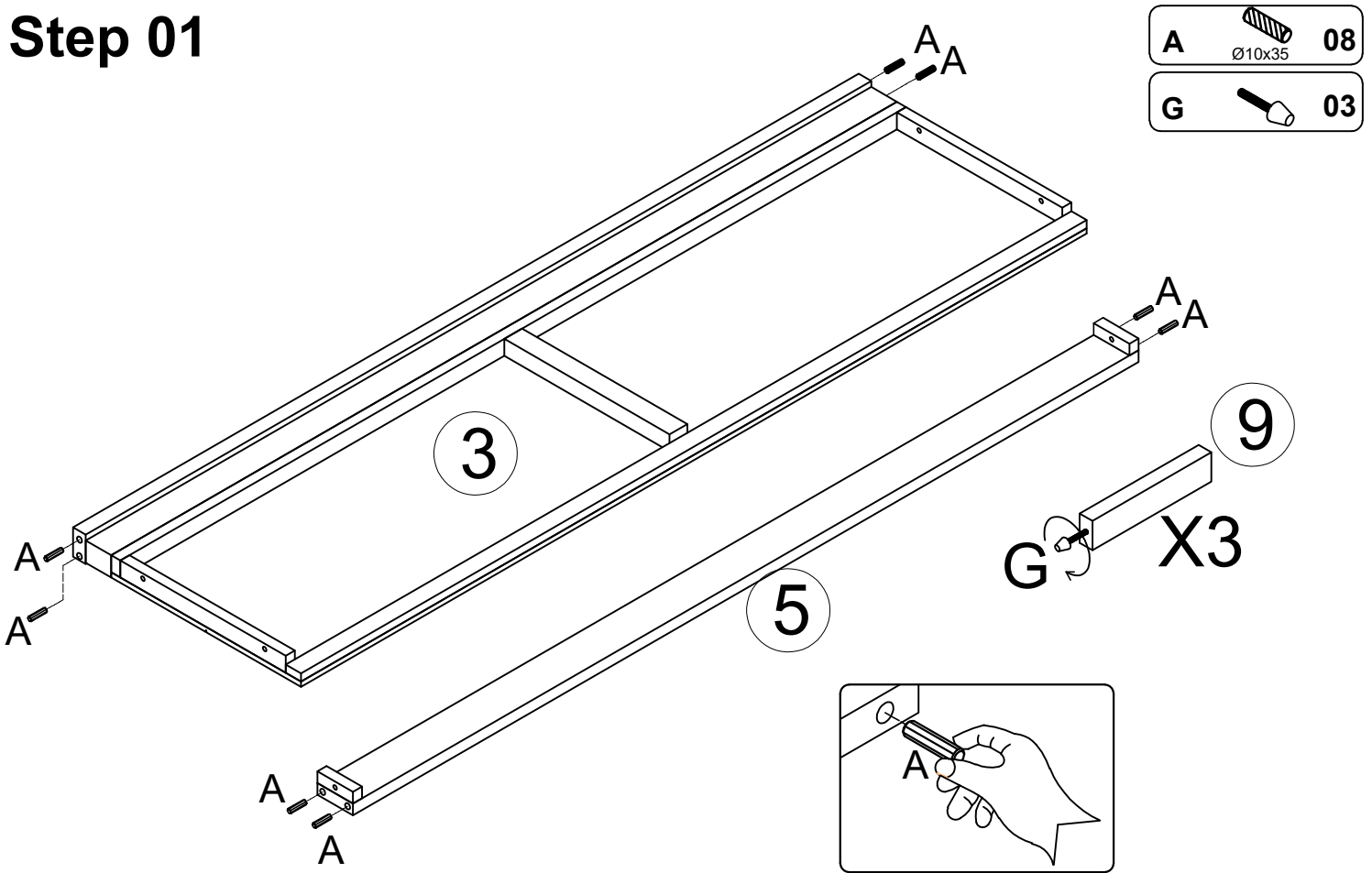
02

G

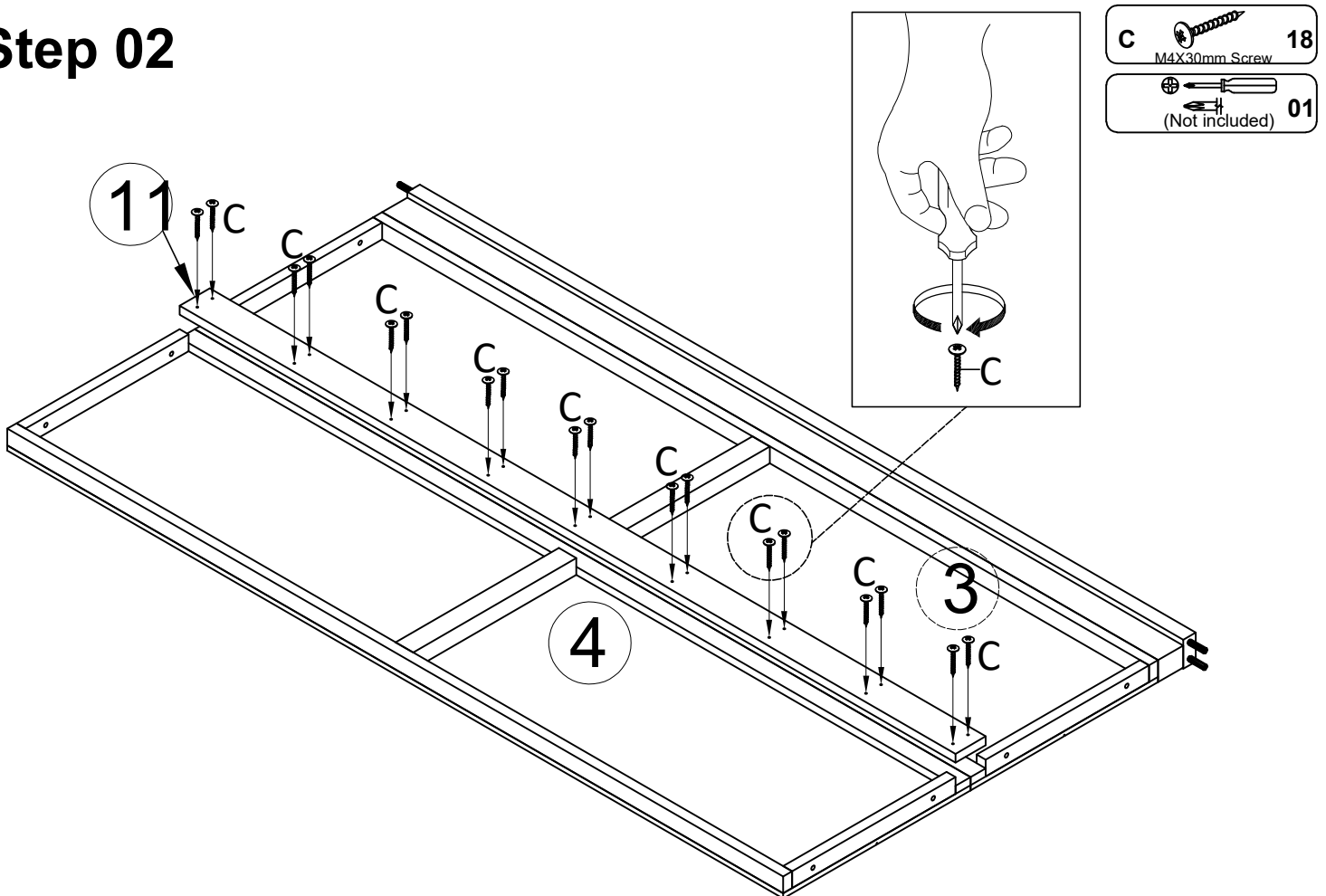


03

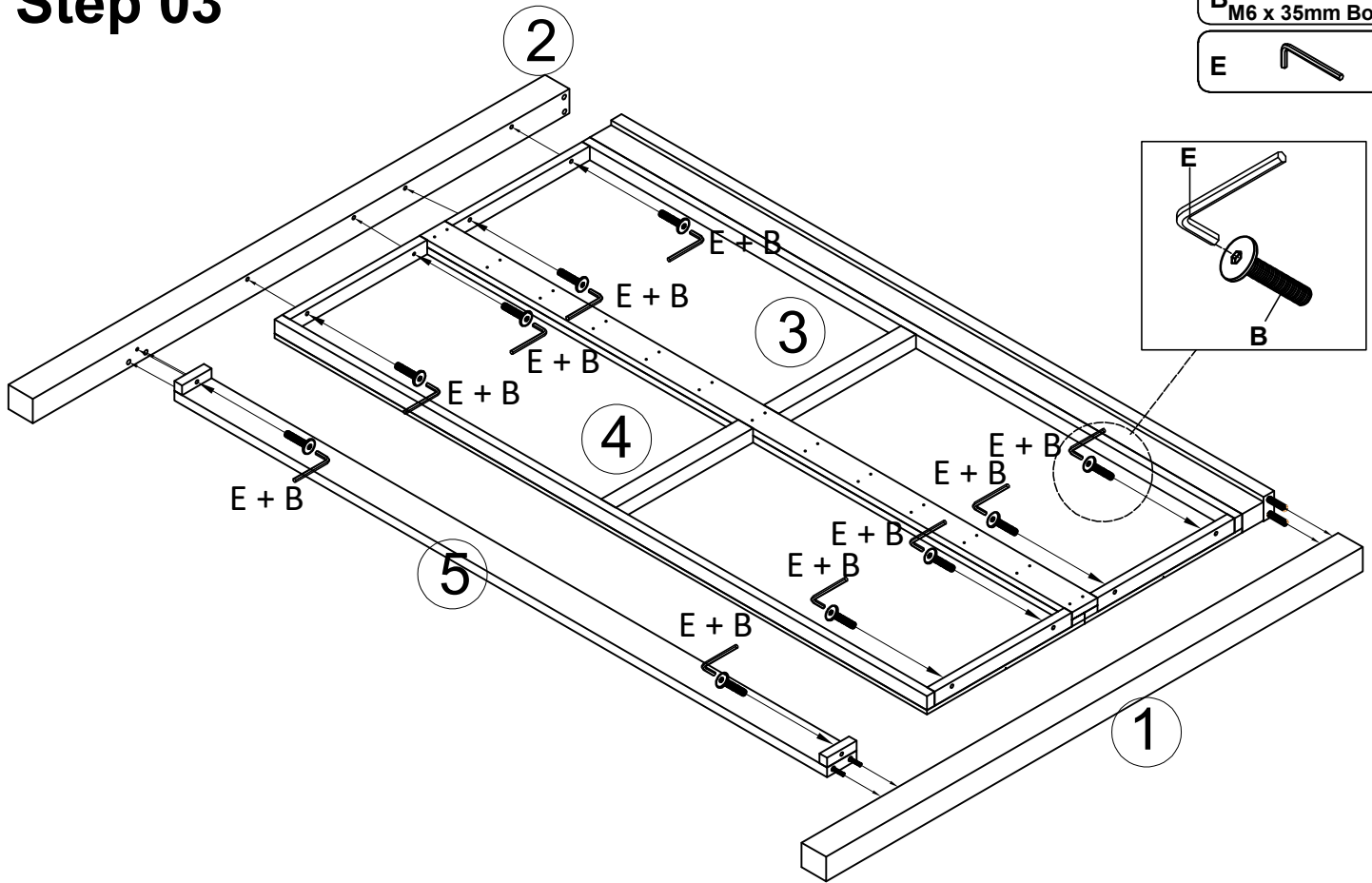
Step 01



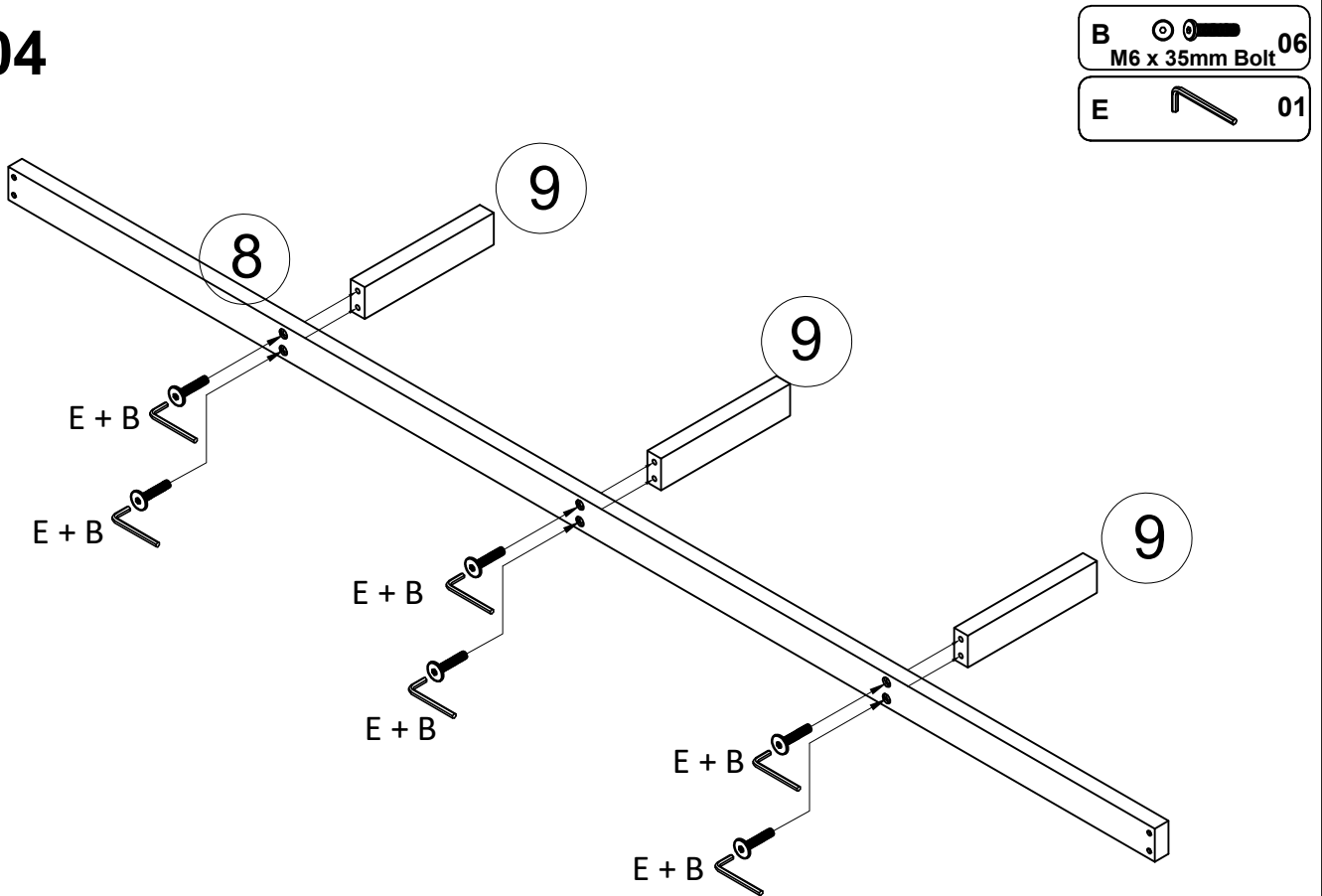
Step 02



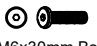
Step 03



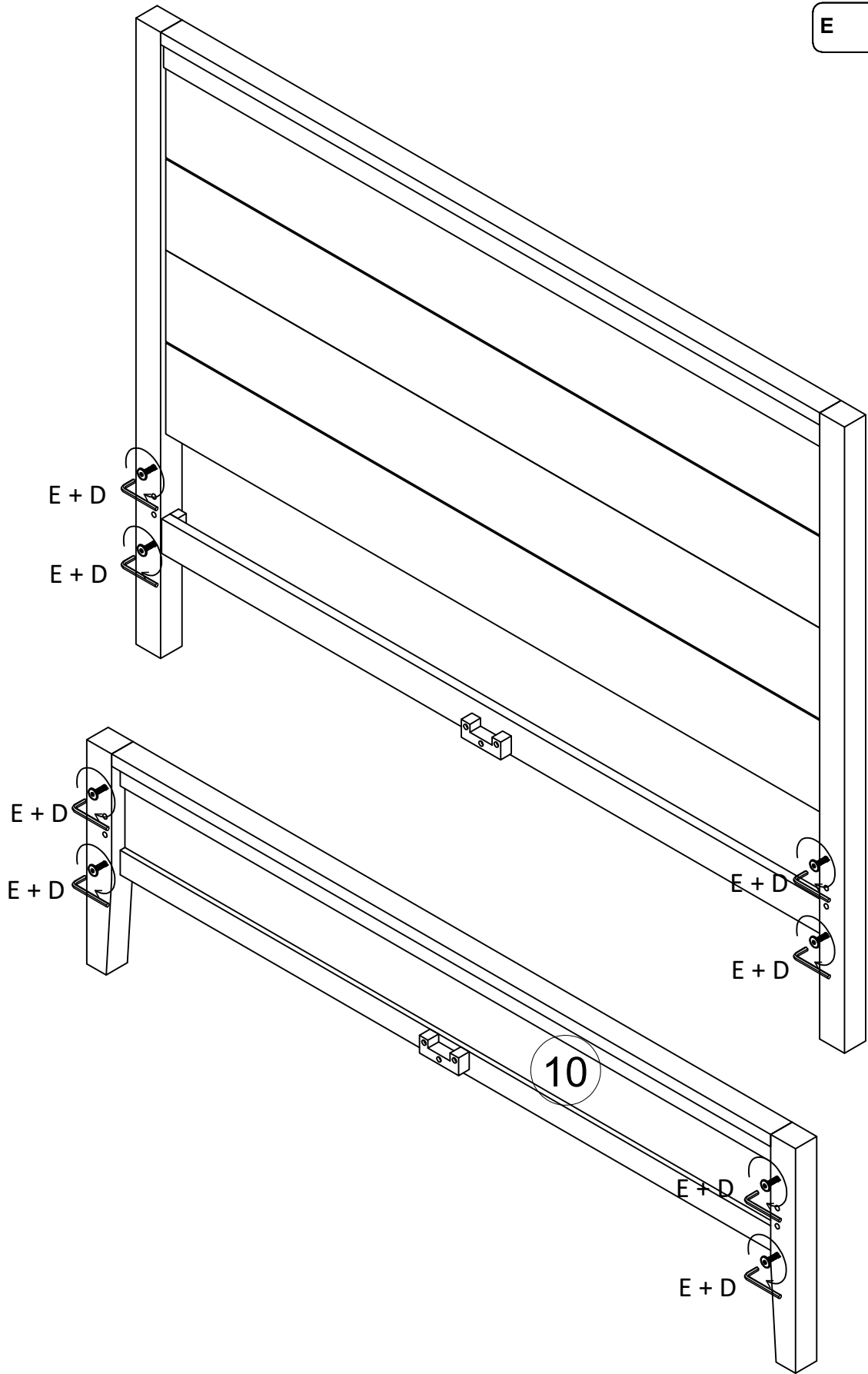
Step 04



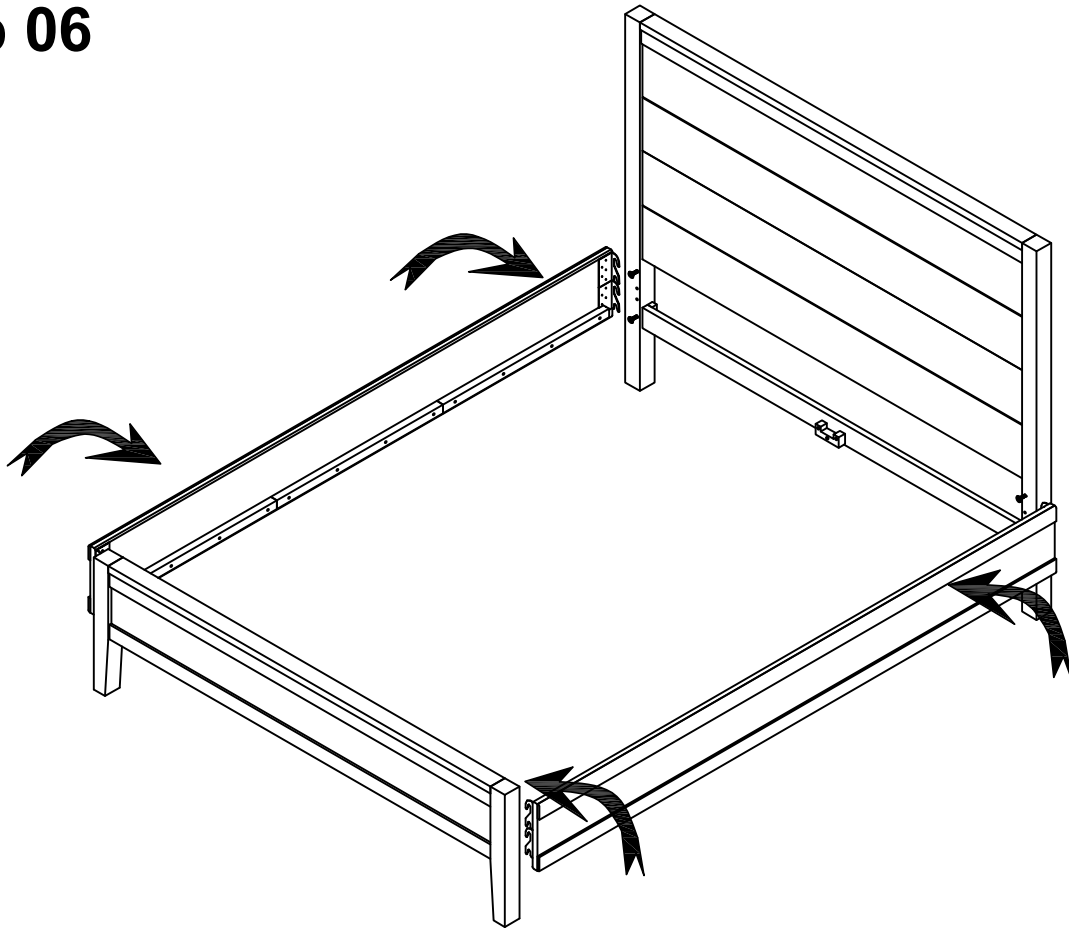
Step 05

D  08
M6x30mm Bolt

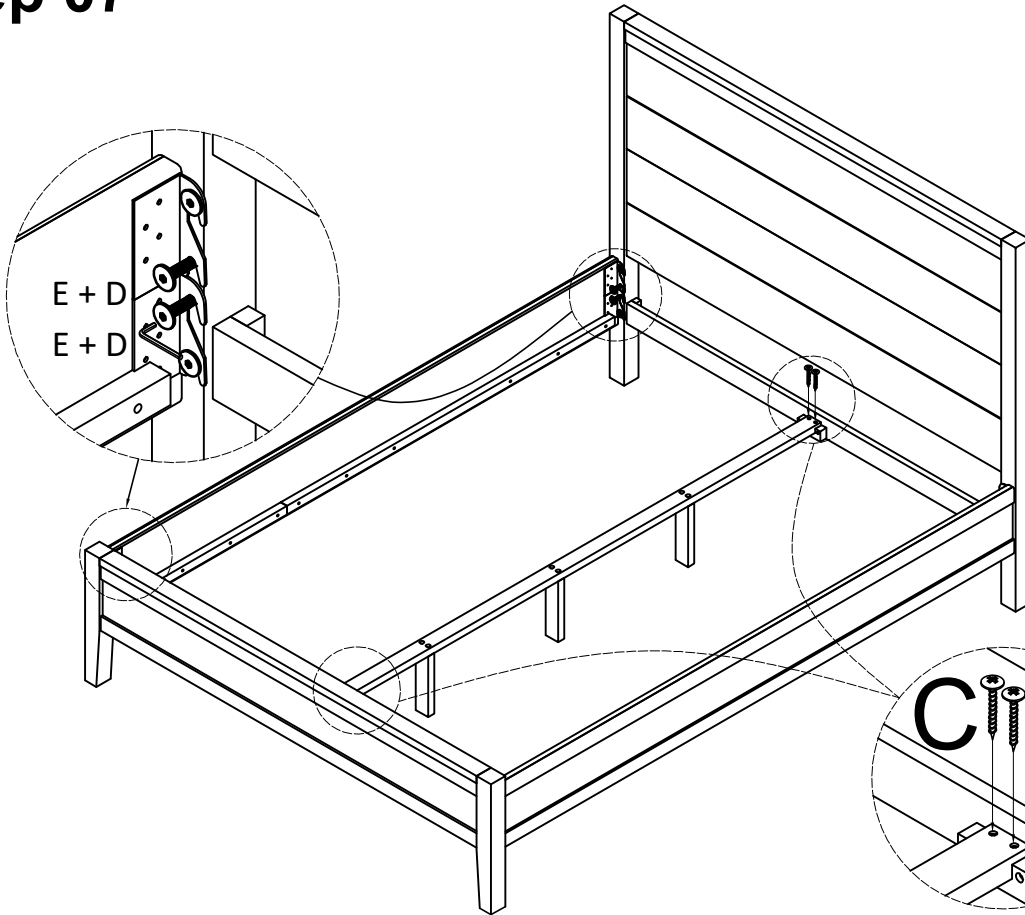
E  01


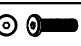

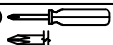


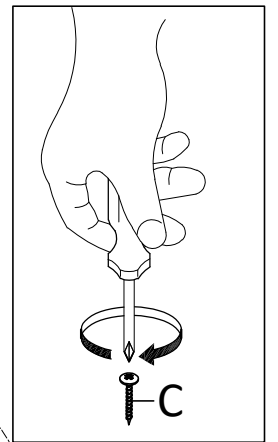
Step 06




Step 07




- C**  **04**
M4X30mm Screw
- D**  **08**
M6x30mm Bolt
- E**  **01**
-  **01**
(Not included)



Step 08

C  30
φ4x30mm Screw

F  02
Spacer 75mm

 01
(Not included)

