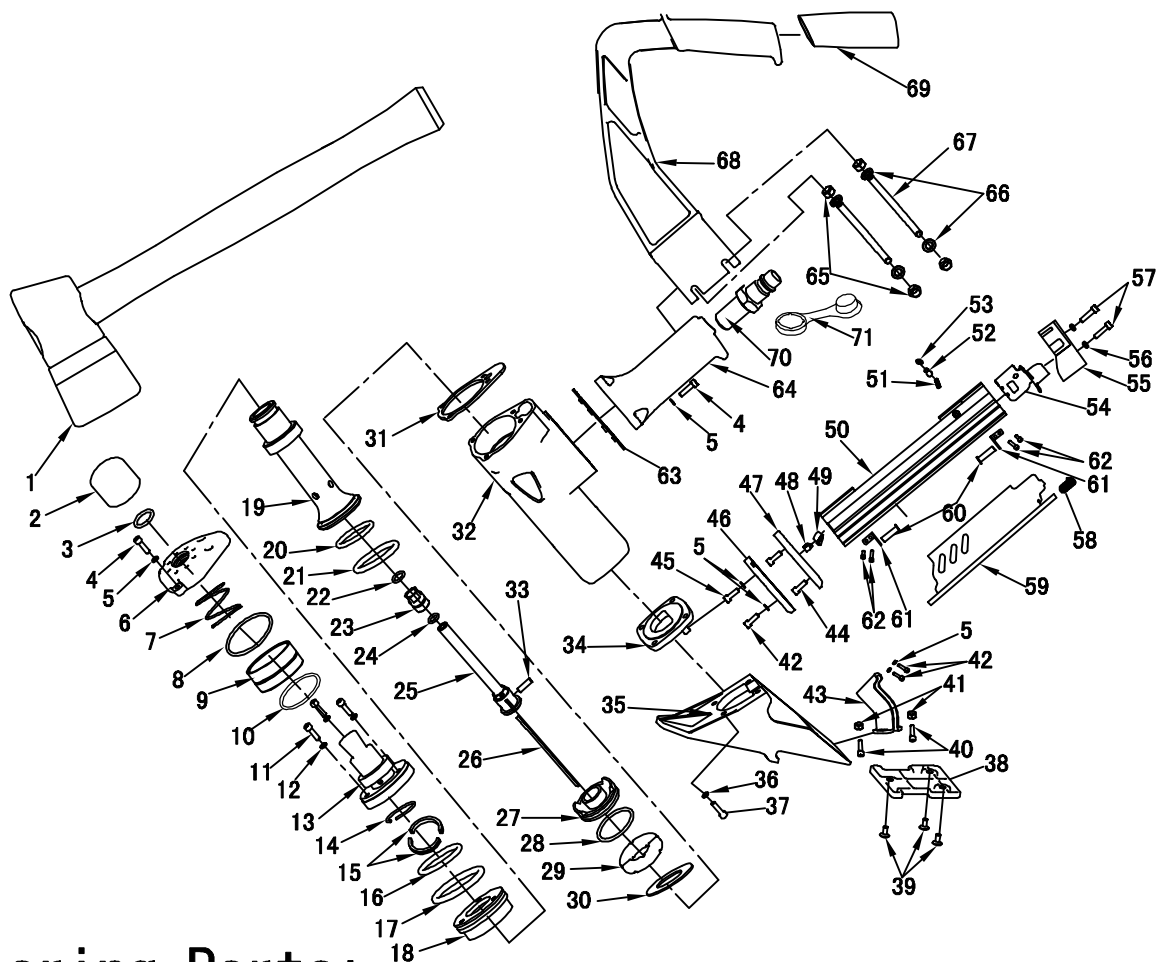


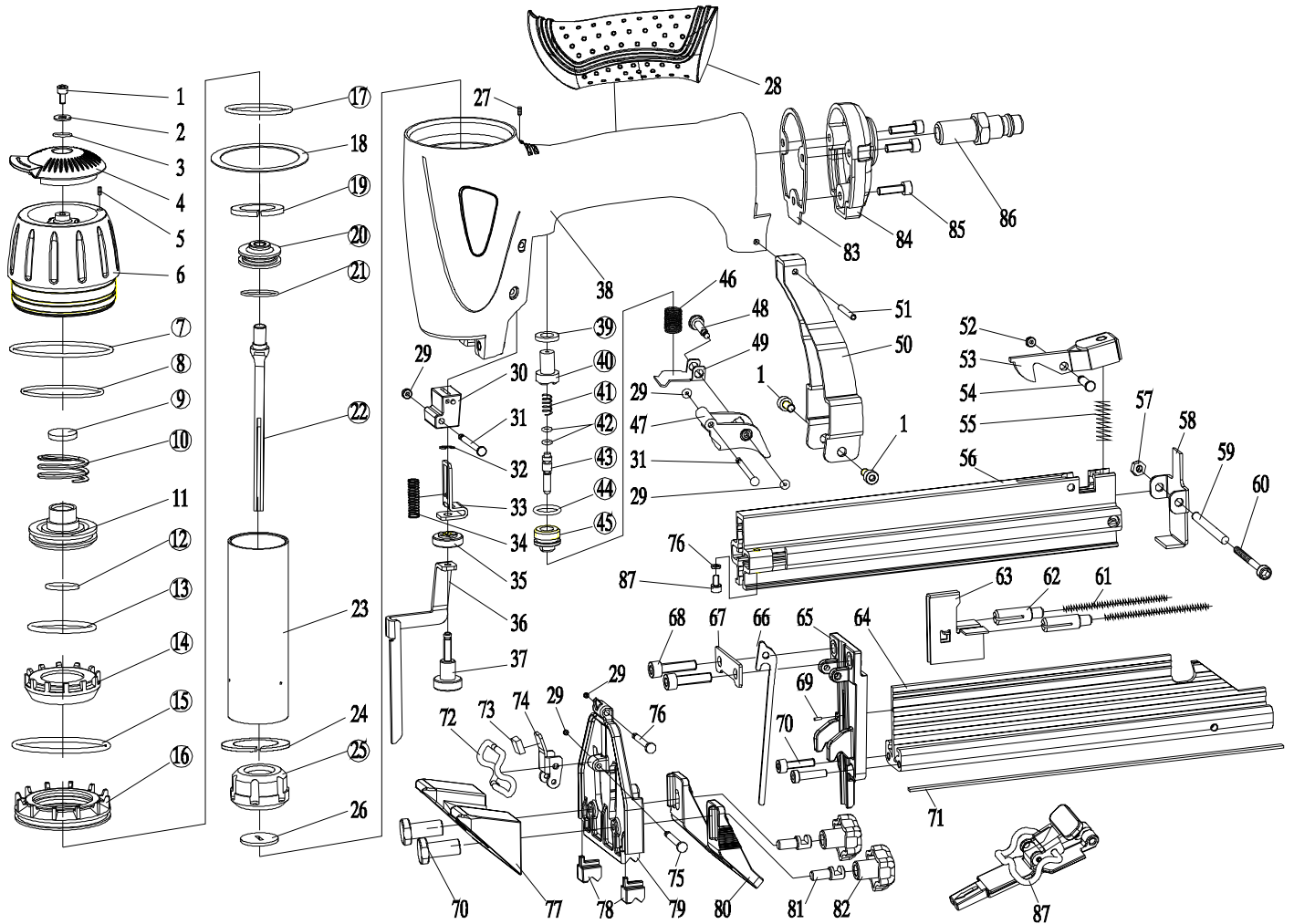
FREEMAN-PFL618BR



Wearing Parts:

| Ref. No. | Name | Size | Total Quantity |
|----------|---------------|----------|----------------|
| 1 | Hammer | | 1 |
| 3 | O-Ring | 25X3.55 | 1 |
| 16 | O-Ring | 28X2.65 | 1 |
| 17 | O-Ring | 50X2.65 | 1 |
| 20 | O-Ring | 12.8X2.5 | 1 |
| 21 | O-Ring | 42X4.6 | 1 |
| 22 | O-Ring | 10X1.8 | 1 |
| 24 | O-Ring | 15.6X1.8 | 1 |
| 25 | Piston Rod | | 1 |
| 26 | Driver Blade | | 1 |
| 28 | O-Ring | 50X3.55 | 1 |
| 29 | Bumper | | 1 |
| 33 | Pin | | 1 |
| 38 | Spacer | | 1 |
| 39 | Screw | M6X14 | 3 |
| 49 | Pusher Spring | | 1 |

FREEMAN - PFBC940



| Model | Replacement Parts | |
|-------------------------|---|--------------------|
| | Kit | Parts |
| FREEMAN - PFBC940 | Kit 1 - Driver Blade & bumper | #19-#22 |
| | Kit 2 - Gunbody O-ring kit | #7-10 #12-#17 #25 |
| | Kit 3 - Trigger kit | #39-#45 |
| | Kit 4 - REPLACEMENT NO-MAR FOOT PFBC940 ASSEMBLED | #29(2) #70 72#-#82 |
| | Kit 5 - REPLACEMENT QUICK RELEASE PFBC940 | #87 |