



LAUNDRY SINK CABINET with Stainless Steel Sink & High Arc Faucet TC-2020-WCW

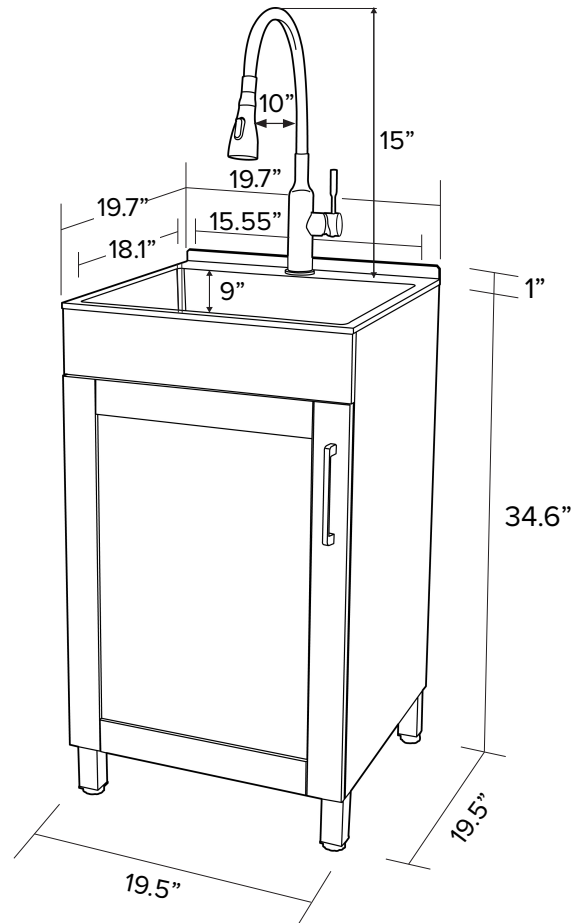
FEATURES:

- Complete laundry cabinet with handcrafted stainless steel sink top and high arc articulating faucet.
- Pre-assembled cabinet provides time saving set-up right out of the carton. Particle board cabinet in white high gloss PVC laminate finish. Shaker style MDF door with slow closing hinges for quiet, gentle operation. Door hardware included.
- Stainless steel high arc single lever faucet. Ceramic disc. 1.8 gpm. Flexible silicone arm with aerator, spray head and garden hose adapter.
- 19 gauge handcrafted stainless steel top with 9" deep sink and integral backsplash. Professional grade for years of service.
- Includes stainless steel basket strainer and flexible 3/8" braided supplies.
- Easy to assemble and install.
- 1 Year Ltd. Warranty.



Specified Model

Model No.				
COMPLETE LAUNDRY CABINET KIT				
<input type="checkbox"/>	TC-2020-WCW	Laundry Cabinet, Sink Top and Faucet		
		Width	Depth	Height
	Laundry Cabinet	19.5"	19.5"	34.6"
	Sink Top	19.7"	19.7"	9"
	Bowl (Internal)	18.1"	15.55"	9"
	Faucet	10"		15"



Applicable Codes & Standards:

- IAPMO®
- #B45.0 and #B45.5; Drain - #B125
- ANSI - Specification Z 124-2017