

Bee Hive Frame User Manual



Read Carefully Before Use
Keep for Future Reference

Safety Information

- **DO NOT** allow people unfamiliar with this product or these instructions to assemble or operate it.
- **ALWAYS** wear appropriate personal protective equipment (PPE) while working with a hive with an active bee colony.

Specifications

Model		232C	
Material		Fir Wood, Pinewood, Metal, Plastic	
Dimensions	Overall	18.1×22×19.9 in.	46×56×50.5 cm
	Top Cover	21.8×18.1×2.6 in.	55.3×46×6.5 cm
	Inner Cover	19.9×16.3×1 in.	50.5×41.3×2.5 cm
	Medium Box	19.9×16.3×6.6 in.	50.5×41.3×16.8 cm
	Medium Frame	19×1.4×6.3 in.	48.3×3.5×15.9 cm
	Deep Box	19.9×16.3×9.6 in.	50.5×41.3×24.5 cm
	Deep Frame	19.1×1.4×9.2 in.	48.3×3.5×23.2 cm
	Queen Excluder	20.1×16.1×0.1 in.	51×41×0.3 cm
	Bottom Board	22×16.3×1.9 in.	56×41.3×4.9 cm
Net Weight		39.1 lb.	17.8 kg

Model		233C	
Material		Fir Wood, Pinewood, Metal, Plastic	
Dimensions	Overall	18.1×22×29.5 in.	46×56×75 cm
	Top Cover	21.8×18.1×2.6 in.	55.3×46×6.5 cm
	Inner Cover	19.9×16.3×1 in.	50.5×41.3×2.5 cm
	Medium Box	19.9×16.3×6.6 in.	50.5×41.3×16.8 cm
	Medium Frame	19×1.4×6.3 in.	48.3×3.5×15.9 cm
	Deep Box	19.9×16.3×9.6 in.	50.5×41.3×24.5 cm
	Deep Frame	19.1×1.4×9.2 in.	48.3×3.5×23.2 cm
	Queen Excluder	20.1×16.1×0.1 in.	51×41×0.3 cm
	Bottom Board	22×16.3×1.9 in.	56×41.3×4.9 cm
Net Weight		53.7 lb.	24.4 kg

Model		234C	
Material		Fir Wood, Pinewood, Metal, Plastic	
Dimensions	Overall	18.1×22×36.2 in.	46×56×92 cm
	Top Cover	21.8×18.1×2.6 in.	55.3×46×6.5 cm
	Inner Cover	19.9×16.3×1 in.	50.5×41.3×2.5 cm
	Medium Box	19.9×16.3×6.6 in.	50.5×41.3×16.8 cm
	Medium Frame	19×1.4×6.3 in.	48.3×3.5×15.9 cm
	Deep Box	19.9×16.3×9.6 in.	50.5×41.3×24.5 cm
	Deep Frame	19.1×1.4×9.2 in.	48.3×3.5×23.2 cm
	Queen Excluder	20.1×16.1×0.1 in.	51×41×0.3 cm
	Bottom Board	22×16.3×1.9 in.	56×41.3×4.9 cm
Net Weight		65 lb.	29.5 kg

Package List



No.	Name	232C	233C	234C
A	Top Cover	1	1	1
B	Inner Cover	1	1	1
C	Medium Box Boards	4	4	8
D	Medium Frames	10	10	20
E	Medium Foundations	10	10	20
F	Plastic Queen Excluder	1	1	1
G	Deep Box Boards	4	8	8
H	Deep Frames	10	20	20
I	Deep Foundations	10	20	20
J	Hive Entrance	1	1	1
K	Bottom Board	1	1	1
L	Nails	120	180	240

Not Included but Helpful: Wood Glue

Assembly

Box Assembly

To assemble the box without nails, fit the two side boards and two end boards together to make a box. Secure them tightly with a hammer and block or rubber mallet. As the wood can expand and contract during shipping, some filing may be needed to align the dovetails.

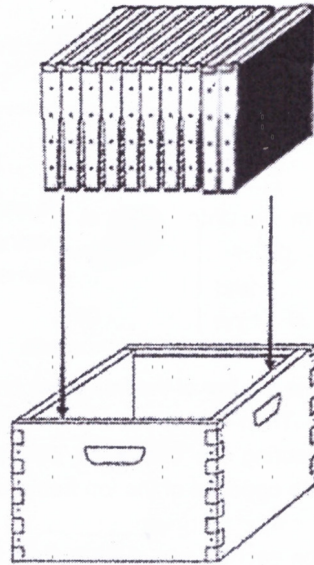
To secure the boards with nails, predrill holes in the center of each leg of the precut joints to prevent its wood from splitting. Hammer in one nail at a time. Check after hammering each nail in that the box remains aligned. Do not nail into the topmost or bottommost dovetails, as they will split.

Frame & Foundation Assembly

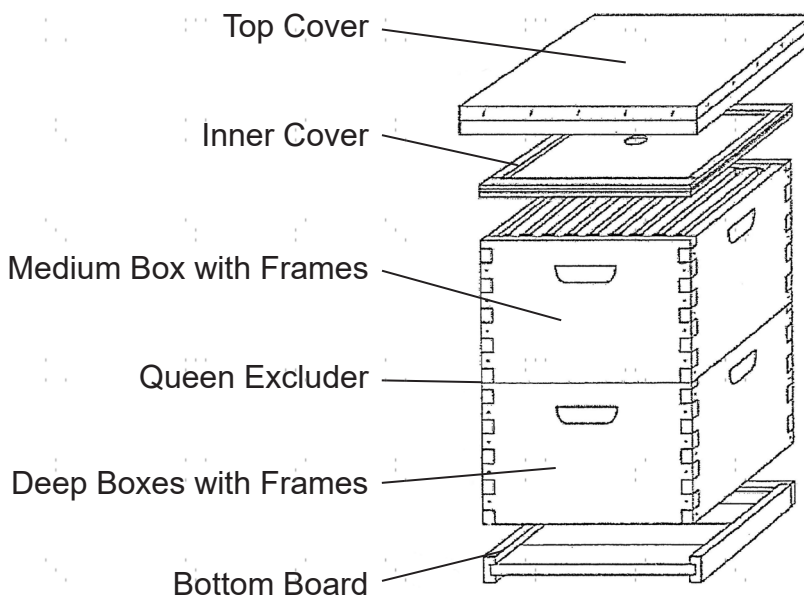
1. Put a small dab of wood glue (not included) on the top inner notch of an end board and then attach it to one end of the wedged top bar. Push down and hold it in place until it fully adheres. Glue the other end panel in the same way, attaching it to the opposite end of the top bar. Wipe away any excess glue.
2. Place the plastic foundation in the top bar's groove.
3. Put small dabs of wood glue on the ends of both end panels, place the bottom bar into the final notches of the frame, hold the foundation in the groove, and push down until it fits snugly.
4. Place two nails into one end of the top bar, spaced evenly, and hammer them into the end panels. Hammer two more nails into the opposite end of the top frame. Repeat the process on the bottom bar.
5. Repeat Steps 1–4 for the rest of the frames.

Stack Hive Assembly

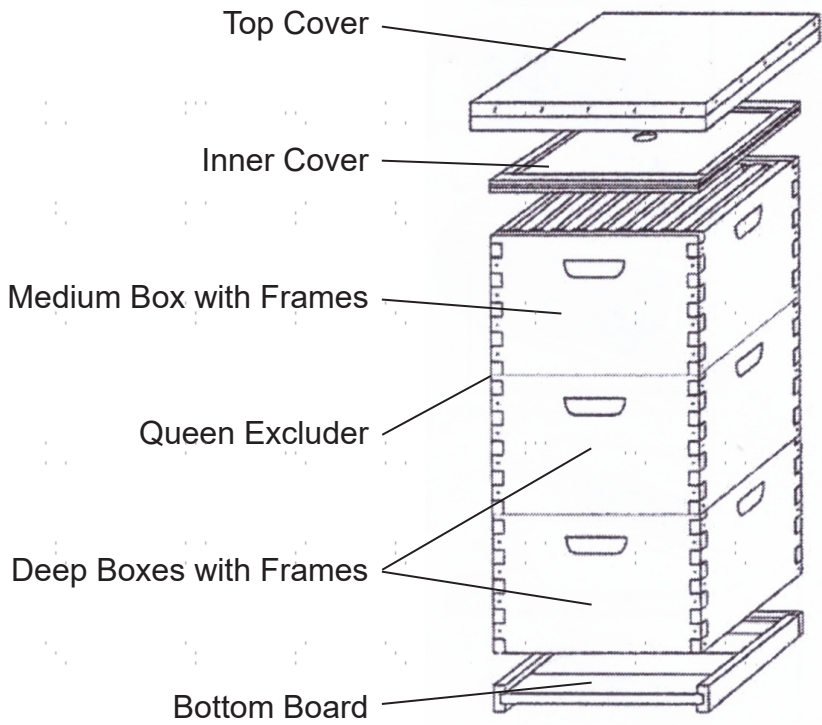
1. Push the frames together in the center and place them in the box according to the image below.



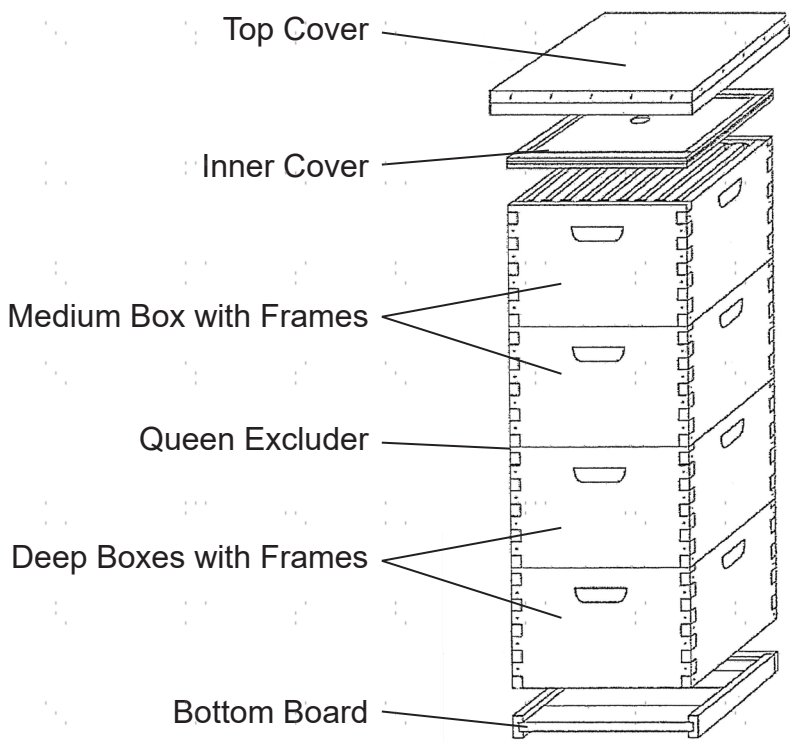
2. Stack the hive parts according to the relevant image below. In winter, remove the provided queen excluder from the hive to prevent the queen from being left behind as the cluster moves up into the honey stores. If you live in a windy area, batten your hive with ropes or ratchet straps. Your hive could be severely damaged if it were to fall over during winter.



232C



233C



234C

Operation

Bee Installation

1. Remove the top cover, inner cover, and top box's frames from the hive.
2. Remove the cap from your queen cage, exposing its candy, and place the cage on top of the top frame. Shake the bees into the empty top box and place the package near the entrance for stragglers to move in on their own.
3. Replace the frames in the top box, then set the inner cover and top cover to close off the hive. Swarms can be installed with the same box configuration without placing the queen cage.

Harvest

1. Remove the frames one at a time, using a bee brush (not included) to clear the bees from the surface.
2. Cut the comb free from the edges of the frame.
3. Crush the comb, straining the honey using mesh bags or similar equipment. Be sure everything is clean and food grade, particularly for commercial applications.

Maintenance

When in use, check your hive weekly for any signs of an unhealthy colony, such as supersedure cells, swarm cells, excessive drone broods, or signs of disease. Expand or reduce hive space as needed to prevent unhealthy swarming or excessive hive space.

Contact Us

Thank you for choosing our products! If you have any questions or comments, contact us at contact@b2ccspro.com and we'll resolve your issue ASAP!

For a .pdf copy of the latest version of these instructions, use the appropriate app on your smartphone to scan the QR code to the right.

