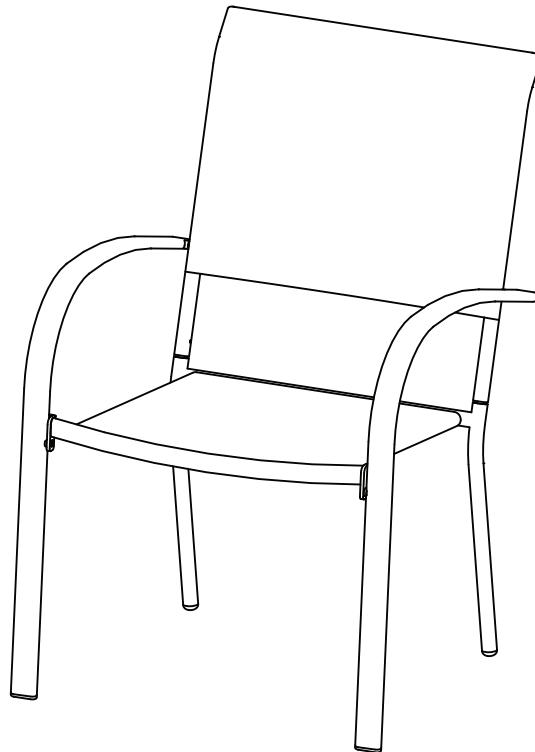


StyleWell.™

Item # 1004 486 540, 1004 486 514
1004 486 506, 1004 486 508
1004 486 492, 1004 486 552
1004 486 654, 1004 486 658
1004 486 551
Model # FCS70391G-2PKHZ, FCS70391G-2PKEC
FCS70391G2PKRVB, FCS70391G2PKDEN
FCS70391G2PKCHI, FCS70391G2PKBGR
FCS70391G2PKWPK, FCS70391G2PKWEC
FCS70391G2PKWWC

USE AND CARE GUIDE

KD SPLIT BACK 2PK SLING CHAIR



Questions, problems, missing parts?
Before returning to the store, call Customer Service
8 a.m. - 7 p.m., EST, Monday - Friday, 9 a.m. - 6 p.m., EST, Saturday

1-877-527-0313

HOMEDEPOT.COM

THANK YOU


We appreciate the trust and confidence you have placed in StyleWell through the purchase of this chair. We strive to continually create quality products designed to enhance your home. Visit us online to see our full line of products available for your home improvement needs. Thank you for choosing StyleWell!


Table of Contents

Table of Contents	2	Pre-Assembly	3
Important Safety Instructions	2	Planning Assembly	3
Save These Instructions	2	Hardware Included	4
Read All Instructions Before Use	2	Package Contents	4
Warranty	3	Assembly	5
What is covered	3	Care and Cleaning	7
What is not covered	3		

Important Safety Instructions

SAVE THESE INSTRUCTIONS

 **WARNING:** THIS CHAIR IS MADE FOR THE EXPLICIT PURPOSE OF PROVIDING OUTDOOR FUNCTIONS AND IS NOT TO BE USED AS A TOY. THIS PRODUCT IS INTENDED FOR NORMAL OUTDOOR USE; HOWEVER, THE MANUFACTURER RECOMMENDS STORING AND/OR COVERING THIS PRODUCT WHEN ANY FORMIDABLE/SEVERE WEATHER IS APPROACHING.

 **WARNING:** DO NOT LOCATE THIS PRODUCT NEAR OPEN FLAMES. DO NOT USE THIS PRODUCT AS A SUPPORT. DO NOT SHAKE, LEAN OR CLIMB ON THE PRODUCT. CHILDREN UNDER THE AGE OF 10, NEAR THE PRODUCT, SHOULD BE SUPERVISED BY A COMPETENT ADULT AT ALL TIMES. THIS PRODUCT IS NOT INTENDED FOR COMMERCIAL USE AND WILL VOID THE WARRANTY.


READ ALL INSTRUCTIONS BEFORE USE


To reduce the risk of injury to persons:

1. Close supervision is necessary when this furnishing is used by or near children, or disabled persons, if applicable.
2. Use this furnishing only for its intended use as described in these instructions. Do not use attachments not recommended by the manufacturer.
3. Do not move the chair while it is occupied. Failure to obey this caution could result in injury.


 **CAUTION:** When not in use, secure the product in a cool and covered location.

 **CAUTION:** Do not locate the product near any heat sources.

 **WARNING:** Weight limit for the chair is 225lbs (102.05Kg) for each seat.

 **WARNING:** Please keep children out of the assembly area before assembly.

 **WARNING:** This chair unit is heavy, and may require two adults for safe assembly.

 **WARNING:** Never use this product as a support. Do not shake, lean, or climb on the product at any time.

 **WARNING:** Do not place heavy objects on the chair.

Warranty

1 YEAR FRAME AND 1 YEAR FABRIC LIMITED WARRANTY

WHAT IS COVERED

We warrant the frames to be free of manufacturing defects to the original purchaser for one year, and a one year limited warranty for the fabric.

WHAT IS NOT COVERED

It remains the customer's responsibility for freight and packaging charges to and from our service center. This warranty does not cover commercial use, hardware, acts of nature, fire, freezing and abusive use. In addition, purchased parts are not covered under this warranty. We reserve the right to make substitutions with similar merchandise, if the model in question is no longer in production.

Contact the Customer Service Team at 1-877-527-0313 or visit www.HOMEDEPOT.COM.

Pre-Assembly

PLANNING ASSEMBLY

Read all instructions before assembly.

To avoid damaging this product, assemble it on a soft, non-abrasive surface such as carpet or cardboard.



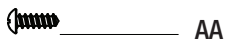
NOTE: More than one person may be required to assemble this product.

Pre-Assembly (continued)

HARDWARE INCLUDED



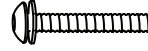
NOTE: Hardware not shown to actual size.



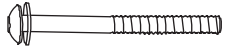
AA



BB



CC



DD



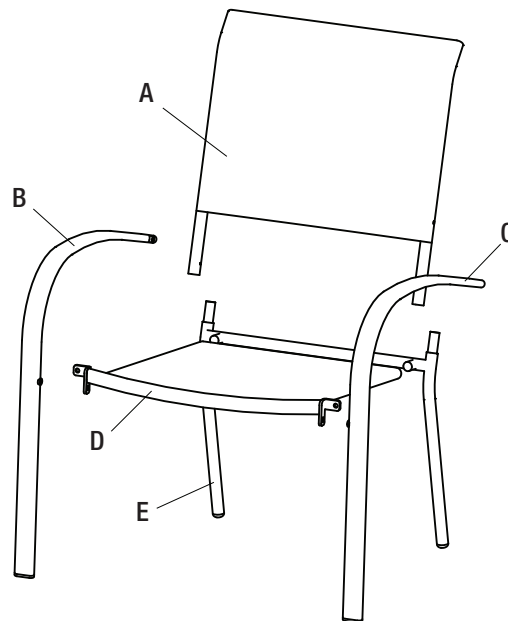
EE



FF

Part	Description	Quantity
AA	ST5x12 Screw	4+1
BB	M6x15 Combination Bolt	8+1
CC	M6x35 Combination Bolt	4+1
DD	M6x60 Combination Bolt	4+1
EE	Silicone washer	8+1
FF	Hex Wrench	1

PACKAGE CONTENTS



Part	Description	Quantity
A	Back	2
B	Right Arm	2
C	Left Arm	2
D	Seat	2
E	Leg	2

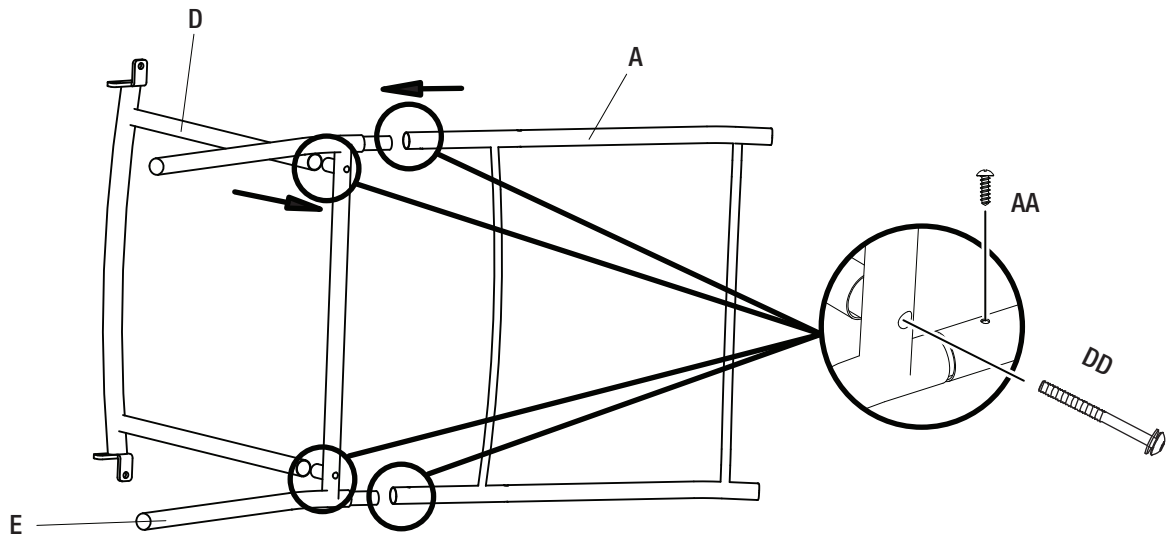
Assembly

1 Attaching The Leg To The Back, And Attaching The Seat To The Leg

- Place the back (A) upside down on a soft surface.
- Insert the back (A) into the leg (E) and secure by using the ST5x12 screws (AA).
- Attach the seat (D) to the leg (E) using M6x60 combination bolts (DD).



NOTE: Loosely tighten all the bolts using the hex wrench (FF).

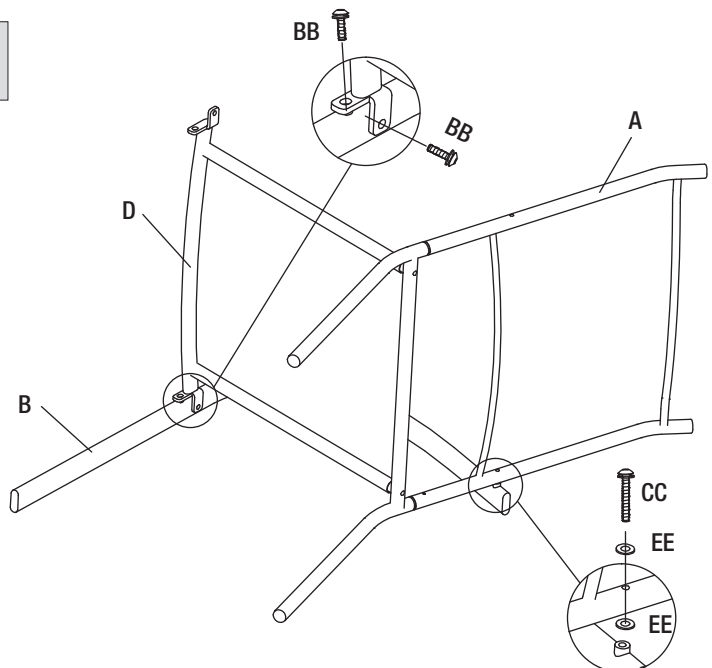


2 Attaching The Right Arm To The Seat And Back

- Attach the right arm (B) to the seat (D) using M6x15 combination bolts (BB).
- Attach the right arm (B) to the back (A) using M6x35 combination bolts (CC) and silicone washer (EE).



NOTE: Loosely tighten all the bolts using the hex wrench (FF).



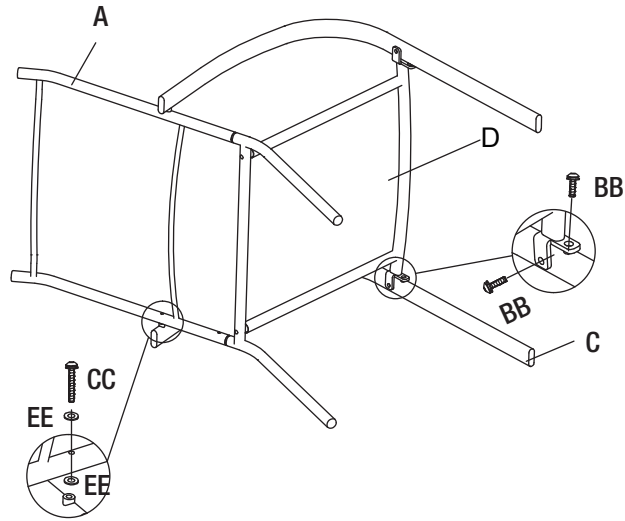
Assembly (continued)

3 Attaching The Left Arm To The Seat And Back

- Attach the left arm (C) to the seat (D) using M6x15 combination bolts (BB).
- Attach the left arm (C) to the back (A) using M6x35 combination bolts (CC) and silicone washer (EE).

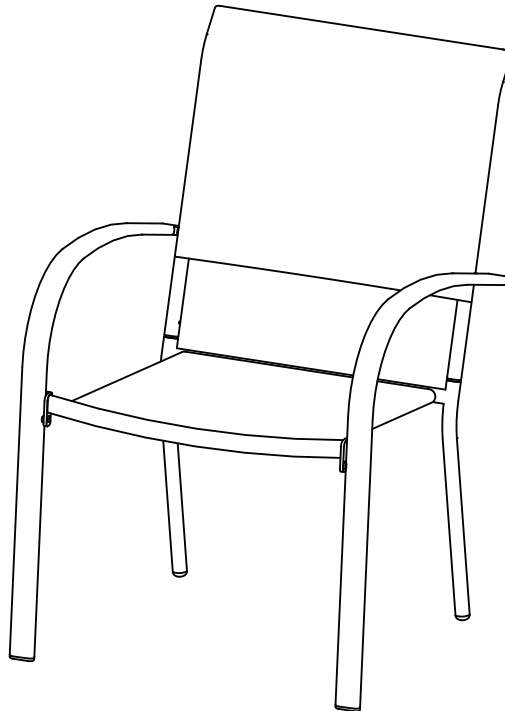


NOTE: Loosely tighten all the bolts using the hex wrench (FF).



4 Tightening All Bolts

- Once all of the bolts are in place, fully tighten all the bolts using the hex wrench (FF).
- Turn the chair right side up.
- Ensure all connections are secure before use.



Care and Cleaning

- For best results, clean the frame and fabric with a damp cloth and dry thoroughly. This will help prevent mildew by removing dirt particles that may accumulate.
- Do not clean with abrasive materials, bleach or solvents.
- Store the chairs in a dry sheltered place when not in use.
- Keep the chairs out of fire, extreme heat, freezing conditions, and inclement weather as rain, hail, sleet, snow, or wind.

StyleWell.™

Questions, problems, missing parts? Before returning to the store,
call StyleWell Customer Service
8 a.m. - 7 p.m., EST, Monday - Friday, 9 a.m. - 6 p.m., EST, Saturday

1-877-527-0313

HOMEDEPOT.COM

Retain this manual for future use.

For certification use only
Factory ID# FCS70391G