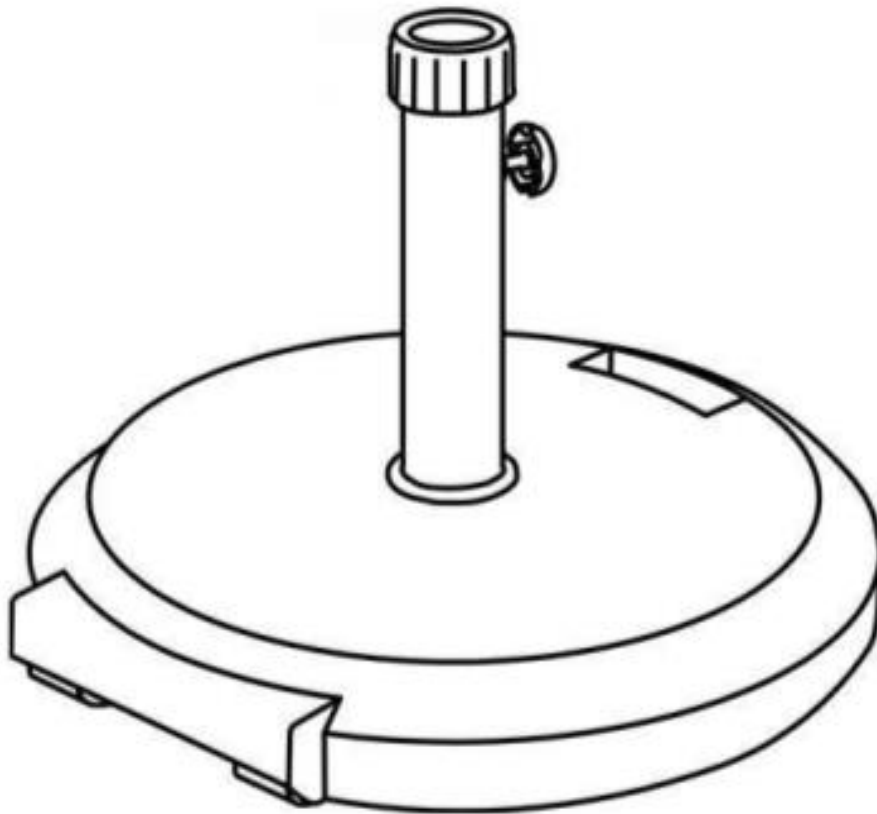


Assembly Instructions

Caution: You must read this before you proceed

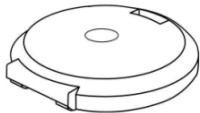





Remind: Umbrella open diameter max. 11 feet

Umbrella Base



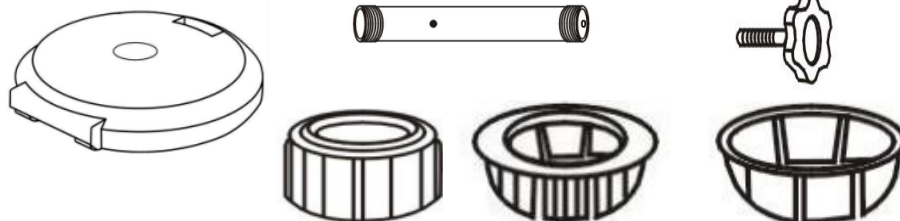
Umbrella Base Weight: Approx. 83 lbs

Parts List

Label	Picture	Description	QTY
A		Umbrella Base	1
B		Support Pole	1
C		Adjustable Screw	1
D		Cap	1
E		Adapter for 38mm Parasol Pole	1
F		Adapter for 48mm Parasol Pole	1

Assembly Preparation

Before Beginning Assembly:



- Read instructions, cover to cover-



- Have 2 adults on hand for assembly-



- Do not assemble on flooring or carpet-



- Assemble on a clean non-marring surface (packing foam)-



- Save all packaging until finished-

WARNING : AVOID CHOKING / CHOKING HAZARDS : Do not allow children to play with plastic wraps and / any small parts in this package.

Notice: As a safety precaution, when umbrella is not in use please turn down umbrella.

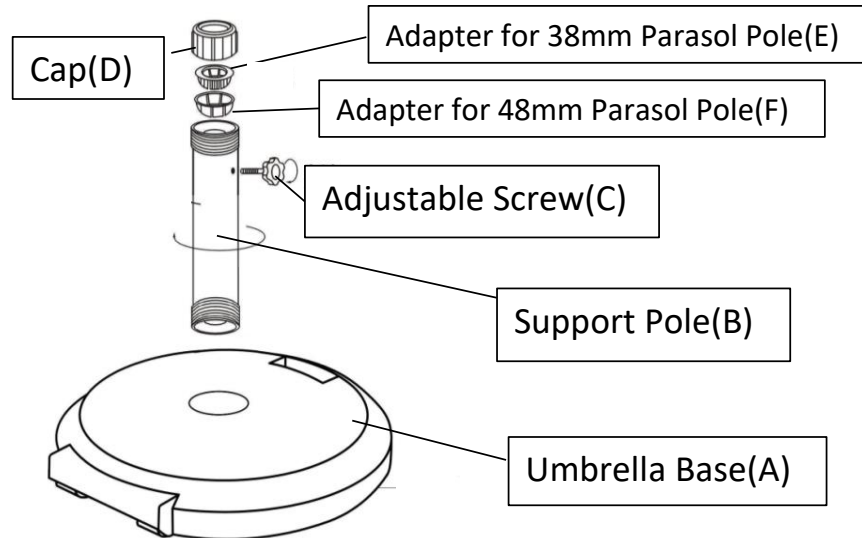
Remove Umbrella from this base and store in safe location

ATTENTION: This Umbrella Base is exclusively recommended to be used together under a table with the matching umbrella with diameter of 11 feet.

The matching Support Pole diameter: 38mm - 48mm.

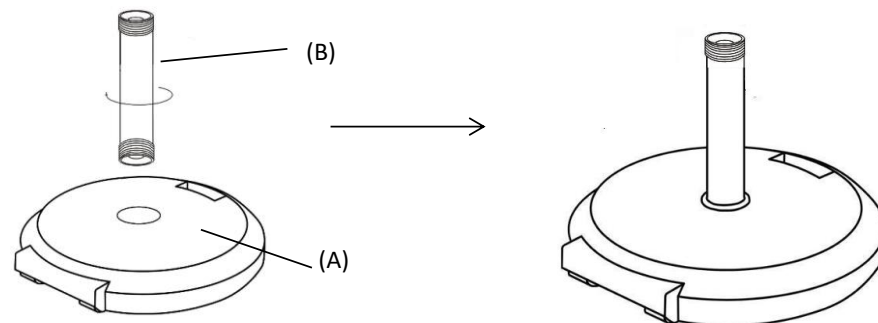
Assembly Steps

Overview



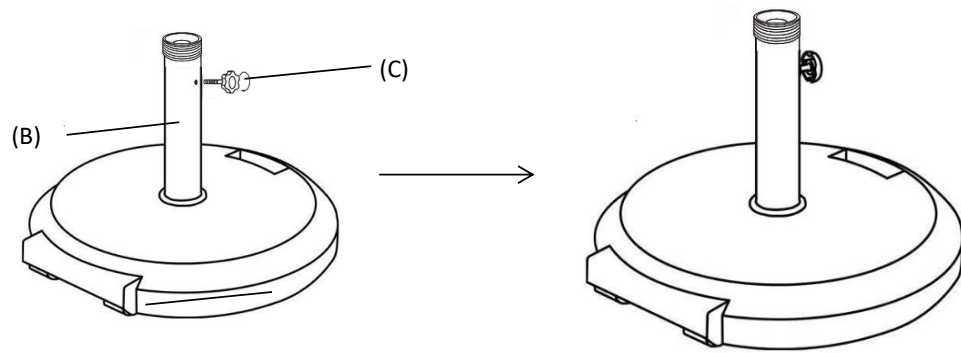
This Umbrella Base has multiple parts and may require up to 30 minutes to assemble. To give you an overview of the Umbrella Base parts, the above picture is to help you put the various parts into perspective. Please read through the instructions below to familiarise yourself with the parts and steps before assembly.

Step 1



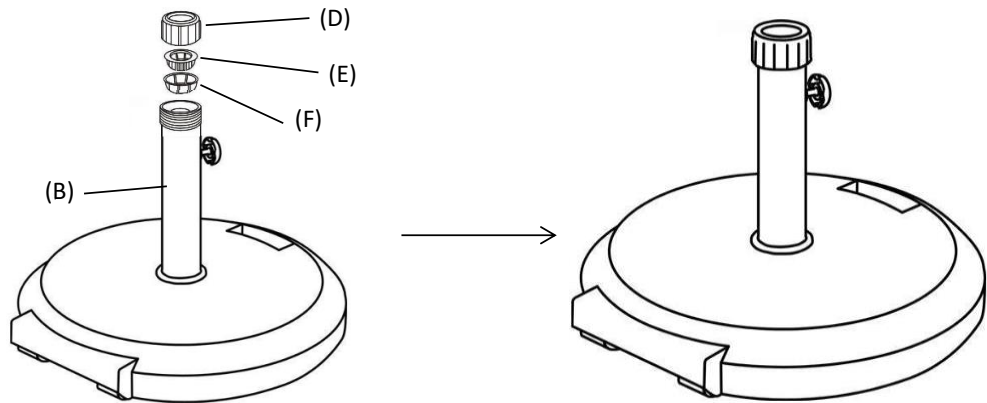
Screw Support Pole(B) into Umbrella Base(A).

Step 2



Screw Adjustable Screw(C) into Support Pole(B).

Step 3-A



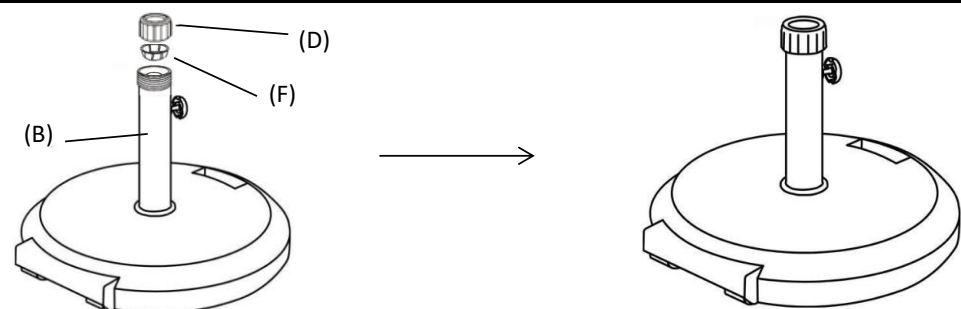
For the Umbrella Pole with 38mm diameter:

Insert Adapter for 48mm Parasol Pole(F), and Adapter for 38mm Parasol Pole(E) into the Support Pole(B) then secure with Cap(D) by hand.

Your Umbrella Base is ready for use.

This Umbrella Base can only be used on a flat, level surface.

Step 3-B



















For the Umbrella Pole with 48mm diameter:



Insert Adapter for 48mm Parasol Pole(F) into the Support Pole(B) then secure with Cap(D) by hand.

Your Umbrella Base is ready for use.

This Umbrella Base can only be used on a flat, level surface.

Care & Maintenance

-   ● Do not put hot items directly on furniture surface
-   ● Do not clean furniture with harsh cleansers or polish.
-   ● To obtain the longest lifespan of your outdoor products, minimizing exposure to direct sunlight is recommended.
-   ● Children should not climb or jump on the furniture.
-   ● Do not write on furniture without a padded barrier to protect the surface.
-   ● To obtain the longest lifespan of your outdoor products, avoid extended and lengthy exposure to rain, snow, and direct sunshine. Whenever possible cover the product and /or place under patio or awnings.
-   ● Not for commercial use. For residential use only .
-   ● Stains may be removed with mild soap solution and damp cloth.

-
-   ● Dust and pick-up spills using a clean, non-colored, lint-free cloth .