

### GENERAL

This controller system provides safe and convenient remote on/off switching of one 120 V load. The system consists of the following:

- Controller, P/N SAFPAC27
- Air Transmitter, P/N MPT-3428
- Air Hose, 6 feet, P/N TU7-006

### OPERATION

The control system works on a sealed air displacement principle. As the air transmitter button is pressed and released, sealed air is displaced and is transmitted through the interconnecting air hose, to the pressure sensitive electrical switch, completing the electrical circuit and turning the disposer on. The circuit will remain energized until the air transmitter button is depressed and released again, turning the disposer off.

### CAUTION:

To avoid damage to this equipment, or the equipment being controlled, do not cycle rapidly. Do not connect other equipment to outlet with disposer.

### INSTALLATION INSTRUCTIONS

Read all instructions before installing control system.

- 1) The air transmitter must be mounted within 6 feet of the controller outlet. Select a location which is convenient for user operation and easily accessible for service and/or removal. See Fig. 3
- 2) Drill a 1-1/4" to 1-3/8" diameter hole at the transmitter mounting location selected. The air transmitter body can be mounted through surfaces from 1/16 in. to 2 in. thick.
- 3) Remove the mounting nut from the air transmitter. Insert the threaded body through the mounting hole and re secure the mounting nut.
- 4) Connect one end of the air hose (supplied) to the fitting on the air transmitter. See Fig. 2 for additional information.

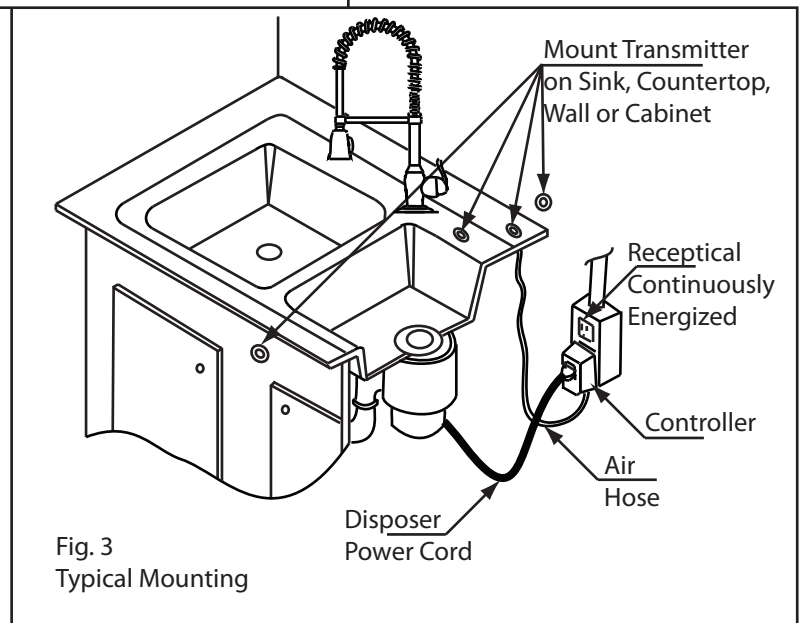
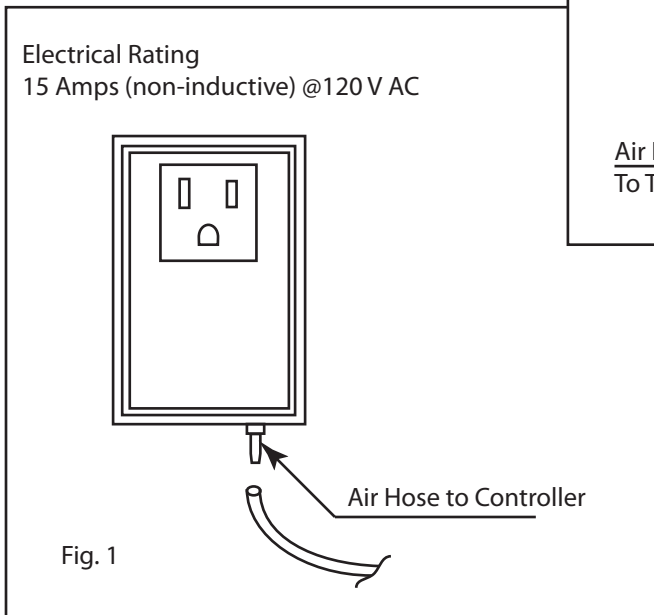
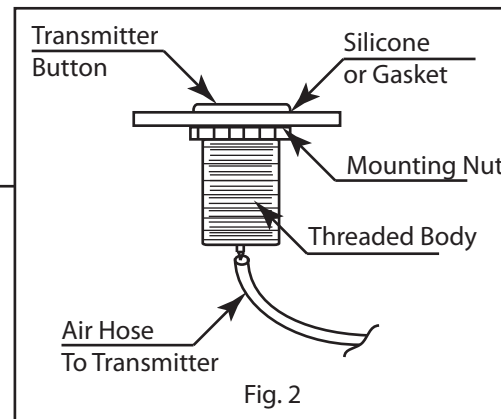
5) Route the air hose to the controller in a convenient path where it will not be kinked, cut, or become disconnected. Attach the remaining end of the air hose to the fitting on the controller. See Fig. 1.

6) Plug the controller into a dedicated, grounded, 120 V AC outlet which is continuously energized.

7) Plug the disposer into the controller.

**CAUTION:** The disposer may begin to operated. If it does, simply press and release the air transmitter button to turn the disposer off.

8) Be sure that the control system is operating properly before using the disposer. Press and release the air transmitter to turn the disposer on. Press and release the air transmitter again to turn the disposer off.



### WARNING - TO AVOID RISK OF INJURY

- Use indoors in dry locations only.
- Do not exceed specified electrical ratings.
- Do not crimp or damage the interconnecting air hose.
- No user servicable components inside controller.
- Opening controller will void manufacturer's warranty