

Features

- 30" (762 mm) minimum base cabinet width.
- Single bowl.
- 9" (229 mm) depth provides generous workspace.
- Rounded corners are easy to clean.
- Angled edge allows for easy sweeping of food or water from countertop to bowl.
- SilentShield® sound-absorption technology offers quieter performance.
- Three-faucet holes with one accessory hole to the right.
- Box includes: Sink, installation hardware.
- Optional K-28897 silicone sink mat (sold separately).

Material

- KOHLER stainless steel sinks resist corrosion and tarnishing.
- Premium 18-gauge stainless steel.

Installation

- Top-mount.

Recommended Products/Accessories

- K-28897 Silicone sink mat
- K-8799 Sink drain and strainer basket
- K-8801 Sink drain and strainer with tailpiece
- K-8803 Manual Sink Basket Strainer
- K-23729 Stainless steel cleaner

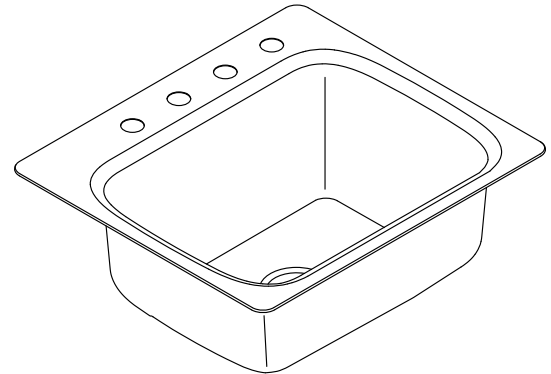
Optional Products/Accessories

- K-11352 Disposal Flange with Stopper

Included Components

Product consists of:

- 1177160 Hardware Kit, Self-Rimming

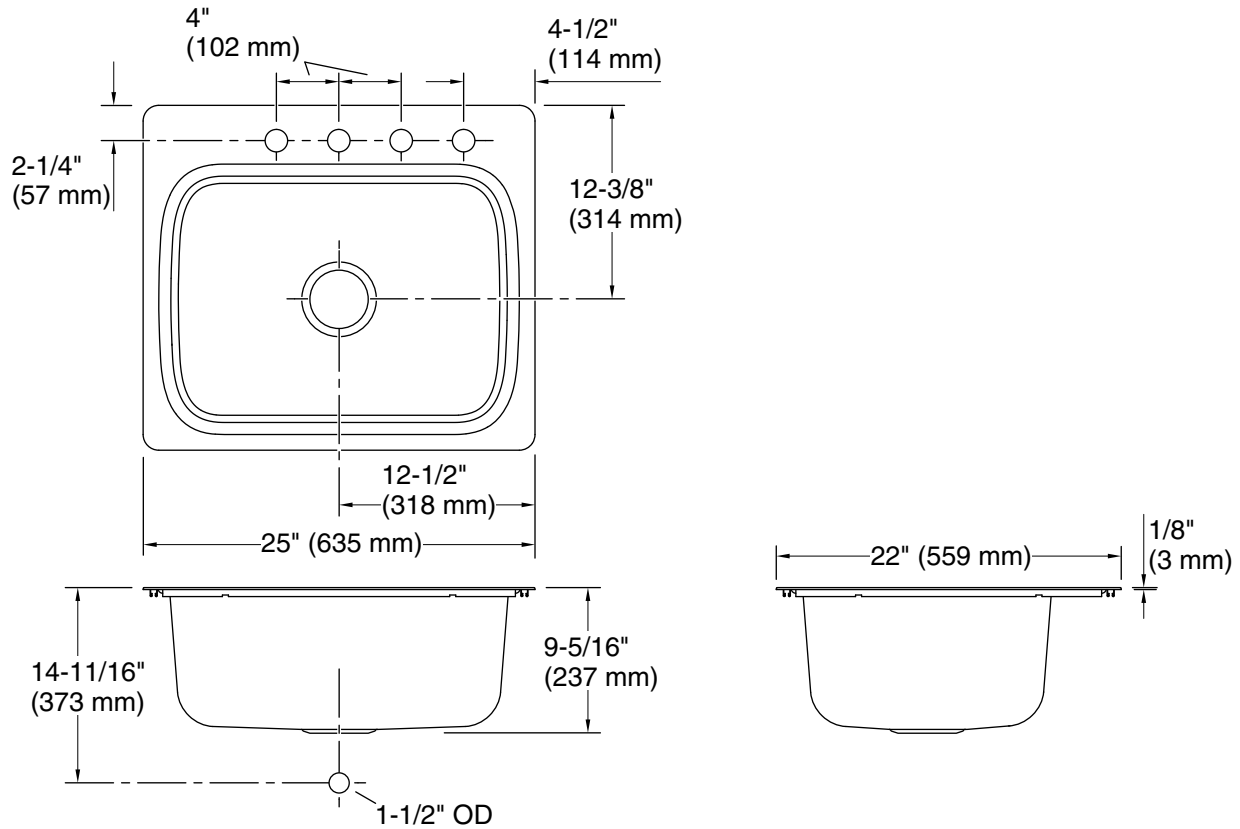


Codes/Standards

ASME A112.19.3/CSA B45.4

KOHLER® Stainless Steel Sinks Lifetime Limited Warranty

See website for detailed warranty information.



Technical Information

All product dimensions are nominal.

Bowl configuration:	Single
Installation:	Top-mount
Bowl area (Only):	Length: 21-7/16" (545 mm) Width: 15-11/16" (399 mm) Bowl depth: 9" (229 mm) Water depth: 9" (229 mm)
Number of deck holes:	4
Faucet hole spacing:	4" (102 mm)
Drain hole:	3-3/4" (94 mm)
Template:	Top-mount, 1032302-7, not required, not included

Notes

Install this product according to the installation instructions.