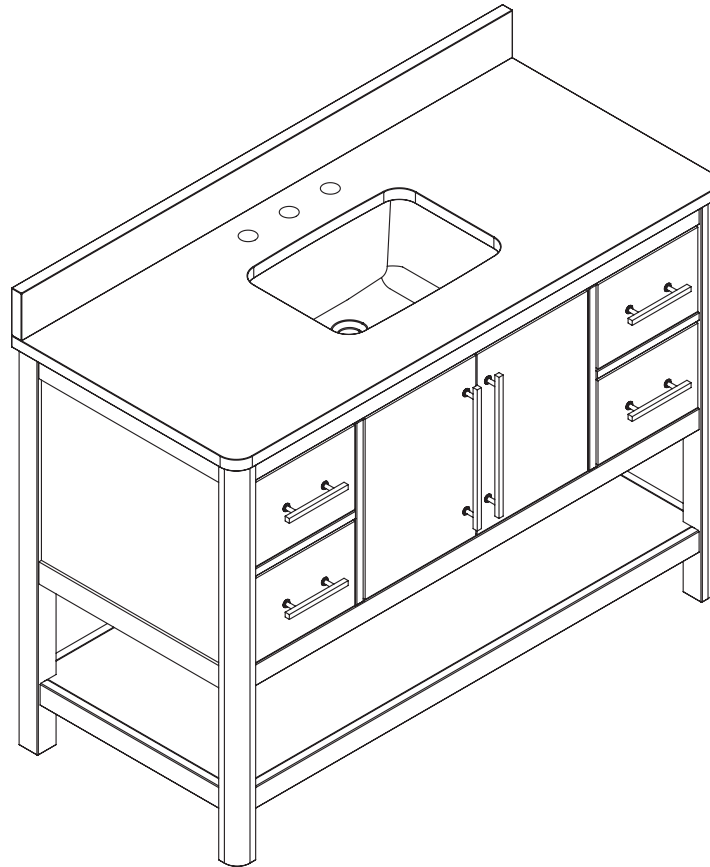


ASSEMBLY INSTRUCTIONS

GLOVEMONT 48 IN. W X 22 IN. D BATH VANITY



Questions, problems, missing parts?
Before returning to the store, call Home Decorators Collection Customer Service
8 a.m. - 7 p.m., EST, Monday - Friday, 9 a.m. - 6 p.m., EST, Saturday

1-800-998-7021

HOMEDEPOT.COM/HOMEDECORATORS

THANK YOU

We appreciate the trust and confidence you have placed in Home Decorators Collection through the purchase of this bathroom furniture. We strive to continually create quality products designed to enhance your home. Visit us online to see our full line of products available for your home improvement needs. Thank you for choosing Home Decorators Collection!

Table of Contents

Table of Contents 2
Safety Information 2
Warranty 3
 Limited Lifetime Warranty 3
 What is Covered 3
 What is Not Covered 3
Minnesota Residents 3

Pre-Installation 4
 Planning Installation 4
 Tools Required 4
 Hardware Included 4
 Package Contents 5
Installation 6
Care and Maintenance 13
Service Parts 14

Safety Information

DANGER

- Keep small parts away from children during assembly.
- Failure to follow warnings and cautions could result in serious injury.
- DO NOT use harsh bathroom cleaners or grout cleaners on any natural stone.

WARNING

- Read these instructions carefully and keep in a safe place.
- Adult assembly required.
- This product should only be used on a flat, level surface.
- Do not over tighten connectors (screws, bolts, etc.) Overtightening can lead to product damage.
- Small parts may present choking hazard prior to assembly.
- Do not stand, step or climb on unit.

CAUTION

- USE preventative cleaning measures to keep your stone pristine.
- USE sealers according to the product specific directions.
- Blot spills quickly, and wash with mild soap and warm water.
- Stone countertop is surprisingly resilient to stains and scratches. However, as a preventative measure, any spills on the stone surfaces should be wiped up within a reasonable amount of time. Do not let liquid sit on the stone overnight. Stones are most prone to staining by oil and acid, so be sure to blot these spills up as soon as they happen. Follow up by cleaning the stone with a mild non-abrasive soap and water.
- Be sure to check all packing materials carefully for small parts that may have come loose inside the carton during shipment. If parts are missing, contact THE HOME DEPOT to obtain any missing parts.
- Using abrasive cleansers will damage the surface.

Warranty

LIMITED LIFETIME WARRANTY

WHAT IS COVERED

Home Decorators Collection products are manufactured with superior quality standards and workmanship and are backed by our limited lifetime warranty. Home Decorators Collection products are warranted to the original consumer purchaser to be free of defects in materials or workmanship. We will replace FREE OF CHARGE any product or parts that proves defective. Simply, return the product / part to any of The Home Depot retail locations or call 1-800-998-7021 to receive the replacement item. Proof of purchase (original sales receipt) from the original consumer purchaser must be made available for all Home Decorators Collection warranty claims.

WHAT IS NOT COVERED

This warranty excludes incidental/consequential damages and failures due to misuse, abuse or normal wear and tear. This warranty excludes all industrial, commercial & business usage, whose purchasers are hereby extended a five-year limited warranty from the date of purchase, with all other terms of this warranty applying except the duration of warranty. Some states and provinces do not allow the exclusion or limitation of incidental or consequential damages, so the above limitations may not apply to you. This warranty gives you specific legal rights and you may also have other rights that vary from state to state and province to province. Please see a store or contact 1-800-998-7021 for more details.

Minnesota Residents

“IMPORTANT HEALTH NOTICE.

SOME OF THE BUILDING MATERIALS USED IN THIS HOME (OR THESE BUILDING MATERIALS) EMIT FORMALDEHYDE. EYE, NOSE, AND THROAT IRRITATION, HEADACHE, NAUSEA AND A VARIETY OF ASTHMA-LIKE SYMPTOMS, INCLUDING SHORTNESS OF BREATH, HAVE BEEN REPORTED AS A RESULT OF FORMALDEHYDE EXPOSURE. ELDERLY PERSONS AND YOUNG CHILDREN, AS WELL AS ANYONE WITH A HISTORY OF ASTHMA, ALLERGIES, OR LUNG PROBLEMS, MAY BE AT GREATER RISK. RESEARCH IS CONTINUING ON THE POSSIBLE LONG-TERM EFFECTS OF EXPOSURE TO FORMALDEHYDE.

REDUCED VENTILATION MAY ALLOW FORMALDEHYDE AND OTHER CONTAMINANTS TO ACCUMULATE IN THE INDOOR AIR. HIGH INDOOR TEMPERATURES AND HUMIDITY RAISE FORMALDEHYDE LEVELS. WHEN A HOME IS TO BE LOCATED IN AREAS SUBJECT TO EXTREME SUMMER TEMPERATURES, AN AIR-CONDITIONING SYSTEM CAN BE USED TO CONTROL INDOOR TEMPERATURE LEVELS. OTHER MEANS OF CONTROLLED MECHANICAL VENTILATION CAN BE USED TO REDUCE LEVELS OF FORMALDEHYDE AND OTHER INDOOR AIR CONTAMINANTS.

IF YOU HAVE ANY QUESTIONS REGARDING THE HEALTH EFFECTS OF FORMALDEHYDE, CONSULT YOUR DOCTOR OR LOCAL HEALTH DEPARTMENT.”

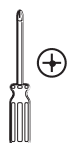
Pre-Installation

PLANNING INSTALLATION

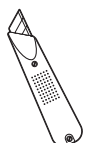
Before beginning assembly of product, make sure all parts are present. Compare parts with package contents list and hardware contents list. If any part is missing or damaged, do not attempt to assemble the product.

Estimated Assembly Time: 45 minutes (24 hours for silicone caulk to dry).

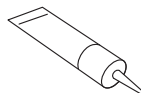
TOOLS REQUIRED (NOT INCLUDED)



Phillips Screwdriver



Utility Knife



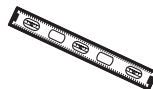
Silicone Caulk



Power Drill With Drill Bit



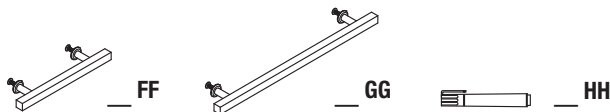
Measuring Tape



Level

HARDWARE INCLUDED

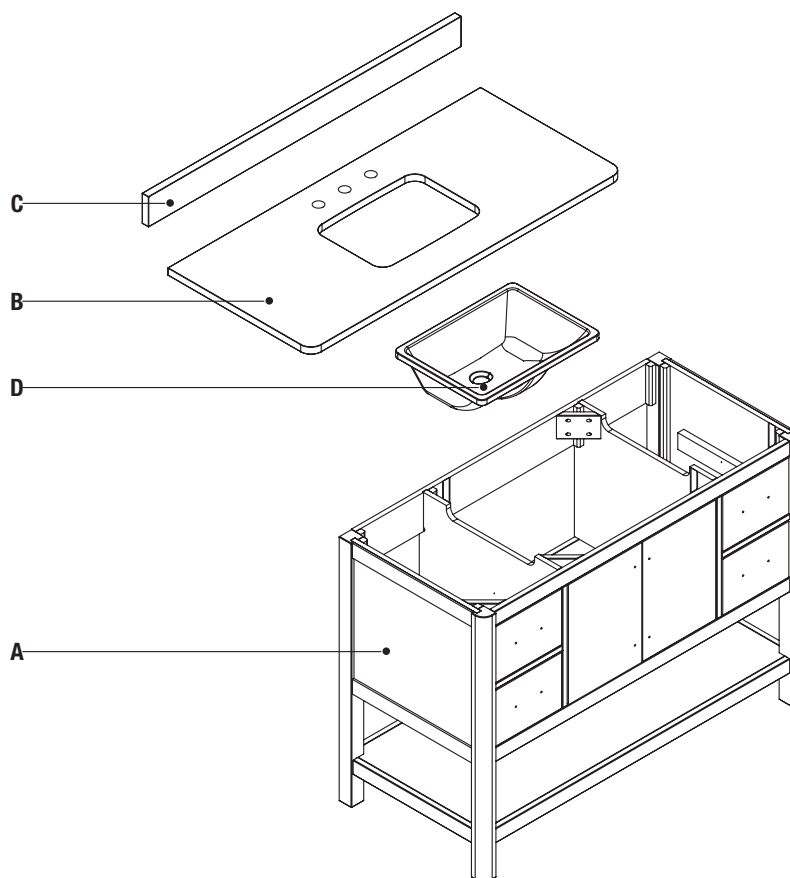
 **NOTE:** Hardware not shown to actual size.



Part	Description	Quantity
AA	Bolt	4
BB	Sink Bracket	4
CC	Nut	4
DD	Lock Washer	4
EE	Wrench	1
FF	Small Handle-Champagne Bronze (Optional)	4
GG	Large Handle-Champagne Bronze (Optional)	2
HH	Touch-up Pen	1

Pre-Installation (continued)

PACKAGE CONTENTS



Part	Description	Quantity	Carton
A	Vanity	1	2 of 2
B	Top	1	1 of 2
C	Backsplash	1	
D	Sink	1	2 of 2

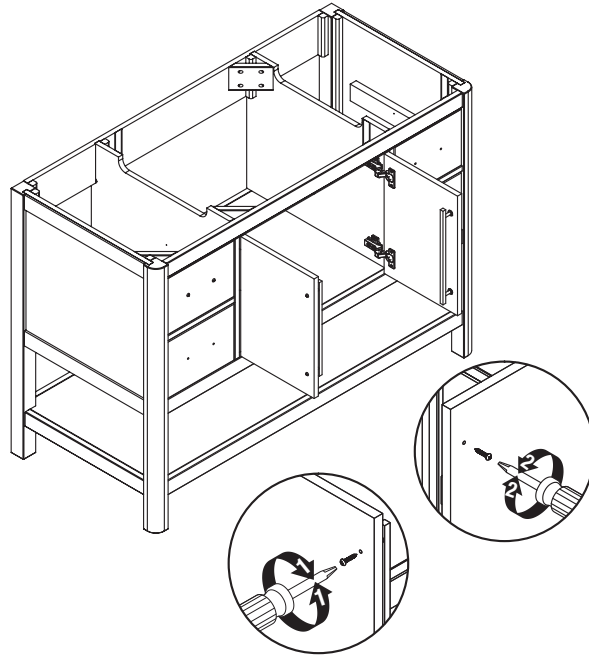
Installation

1 Installing Hardware



NOTE: Your vanity comes with brushed nickel handles (FF,GG) that are pre-installed on the inside of the cabinet to prevent against shipping damage. If you would like to change them, locate the included champagne bronze handles (FF,GG) and use them in these steps.

- Use a screwdriver to loosen the screws and remove the hardware, being sure to retain the screws.
- Align the pulls on outside of the door, and re-install using the included screws.



Installation (continued)

2 Installing vanity cabinet



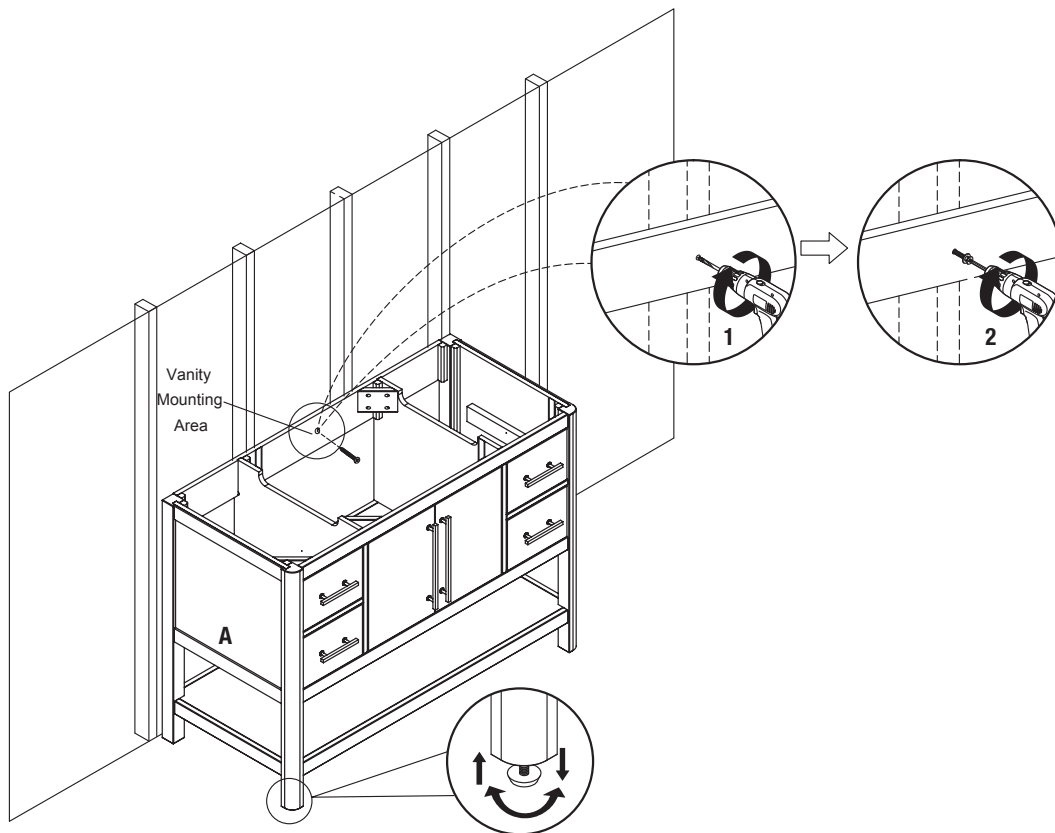
NOTE: Clean area where the vanity (A) will be permanently located prior to beginning installation, ensuring the vanity (A) will not interfere with any water supply and drain lines once mounted.

- With two people, carefully place the vanity (A) against the wall in its final location. Place a level on the unit in both directions, across the front and on both sides to properly adjust the levelers on the unit. Use preassembled levelers on the feet of the vanity (A) to level the item. Twisting the levelers counterclockwise will increase the height of the vanity (A), twisting them clockwise will decrease it.
- Find and mark locations of wall studs behind the permanent location of the vanity (A). From inside the vanity (A), drill a hole through the vanity mounting area into wall studs.
- Using mounting hardware (not included) appropriate for your installation site, secure the vanity (A) to the wall stud. If possible, secure the vanity (A) to two wall studs for increased stability.



WARNING:

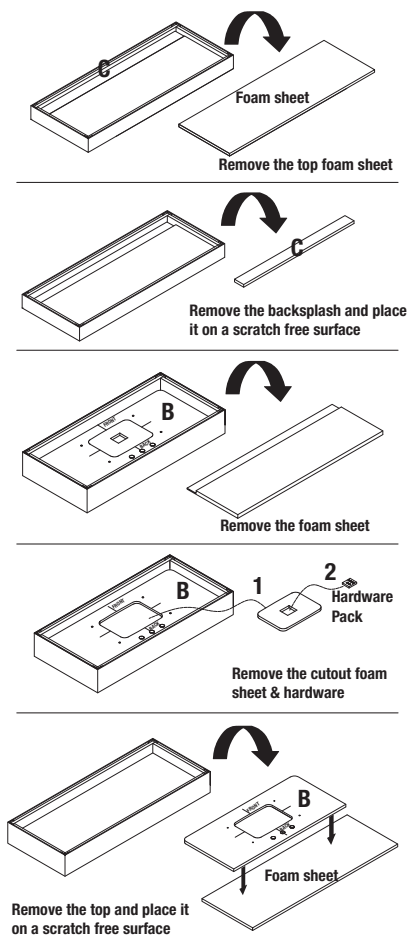
- Vanity (A) **MUST** be secured to wall studs.



Installation (continued)

3 Unpacking the top

- Take out the top (B) and backsplash (C) according to the steps indicated by the drawings, and place them face down onto a scratch free surface such as a foam sheet that came in the packaging.



4 Mounting the sink

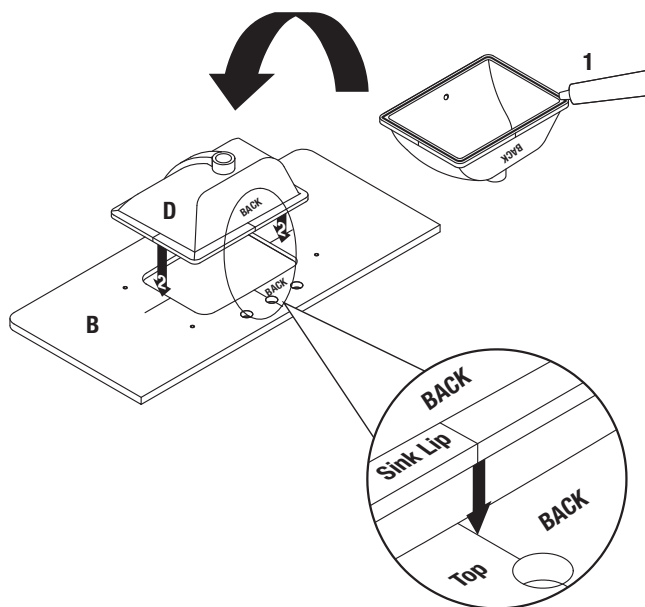
- Apply silicone caulk (not included) to the top edge of the sink (D). With the help of another adult, lower the sink onto the back side of the stone top.



NOTE: Make sure the sink over-flow hole is facing the front of the stone top. Be sure to align the sink well with the stone top cut out allowing for equal stone overhang on the front, back and sides of the ceramic sink (D).



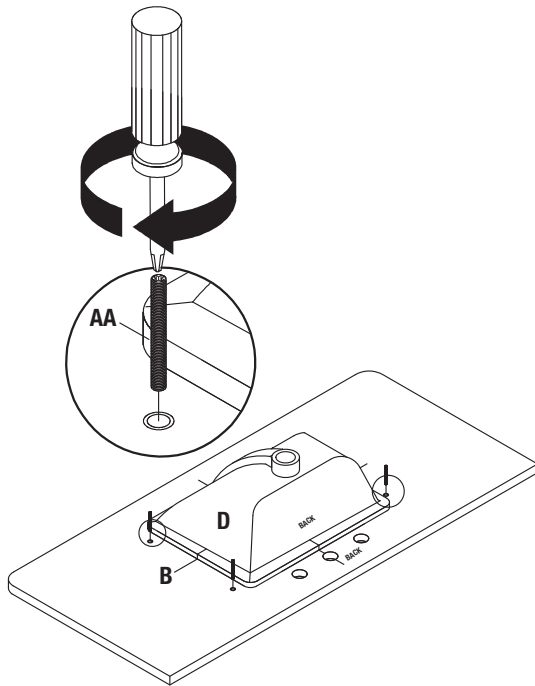
NOTE: To install the sink onto the top correctly, ensure that the two "BACK" stamps on the sink and the top are aligned on the same sides. Use the guide lines marked on the sink and bottom side of the stone top to assist with sink location.



Installation (continued)

5 Installing the sink

- Screw bolts (AA) into the threaded holes of the stone top (B).



6 Attaching the sink brackets

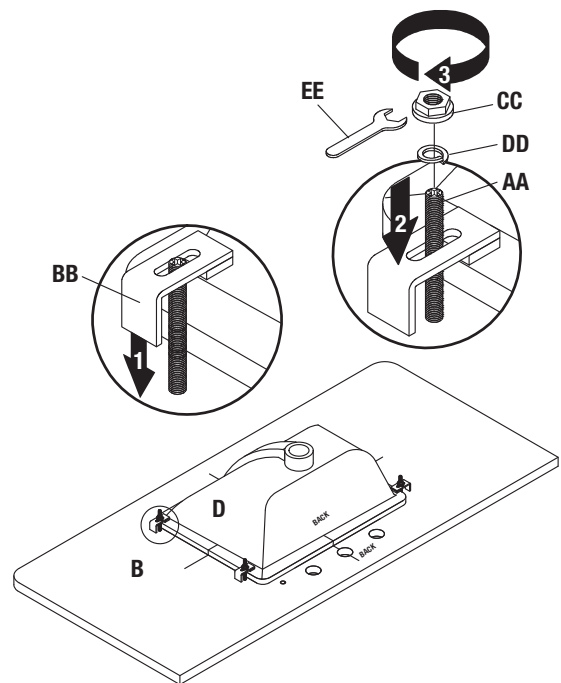
- Lower the sink brackets (BB) over the bolts (AA) and allow to rest on the sink lip.
- Adjust the location of the bracket to firmly grasp the sink lip.
- Lower lock washers (DD) over bolts (AA) and secure with nuts (CC). Hand tighten nuts (CC) with the included wrench (EE).



NOTE: DO NOT OVER TIGHTEN!



NOTE: Check that the sink placement is well centered front to back and side to side of the stone top cut out before allowing the silicone caulk to dry. If the sink is not centered well, unscrew sink clamps, re-adjust the sink position and re-tighten the sink brackets.



Installation (continued)

7 Installing the top

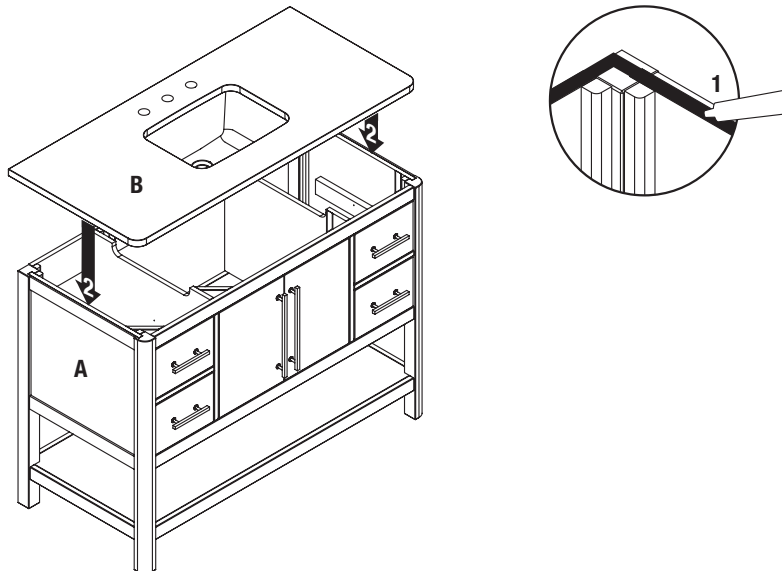
- Apply silicone caulk to the top edge of the wood cabinet.
- With the help of another adult, gently lower the stone top with the assembled sink onto the cabinet.



NOTE: Make sure the stone top is flush with the back side of the wood cabinet and the stone overhang is equal on both sides over the wood cabinet left and right side walls. Remove any excess caulk before allowing to dry.

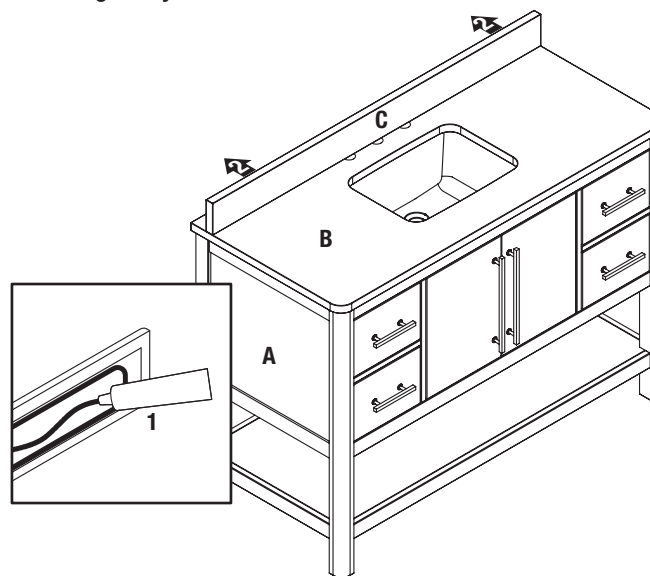


NOTE: It may be easier to install the faucet and/or drain assembly (not included) before securing the stone top to the wood cabinet.



8 Installing the backsplash

- Apply silicone caulk (not included) to the unpolished side and bottom of the backsplash (C).
- Position the backsplash (C) on top (B) and against the wall.
- Clean any excess caulk before allowing to dry.

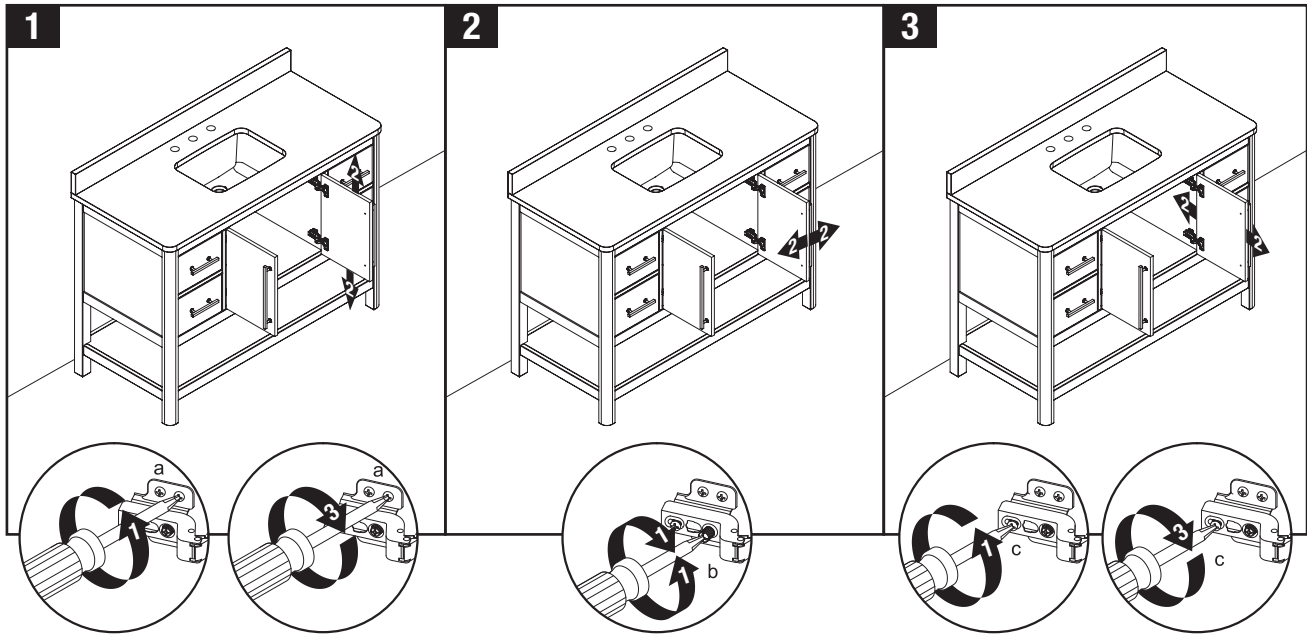


Installation (continued)

9 Aligning the doors (optional)

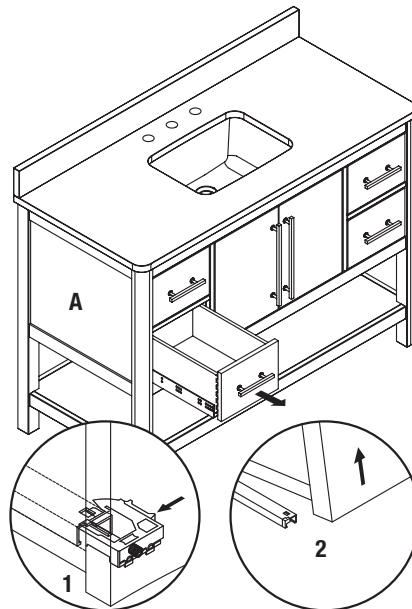
If you need to adjust the doors, do so in the following manner.

- To adjust the door up or down, loosen screws (a) on both hinges, adjust door, and retighten screws.
- To adjust the door left or right, turn screws (b) on both hinges, in or out.
- To adjust the door in or out, loosen screws (c) on both hinges, adjust door, and retighten screws.



10 Removing the preassembled drawers (optional)

- Fully extend drawers, and locate plastic levers on the metal glide tracks at left and right sides of the drawer box.
- Push on plastic levers on both sides at the same time to disengage the drawer box from the glides.
- Gently lift the drawer up to remove it from the glide tracks.



Installation (continued)

11 Reinstalling the drawers (optional)

- Fully extend the metal glide tracks, gently lower and slide the drawer box into the rear glide catch.
- Lower the drawer box down to completely rest on extended glides and push plastic levers to lock the drawer box in place.
- Repeat for the remaining drawers.

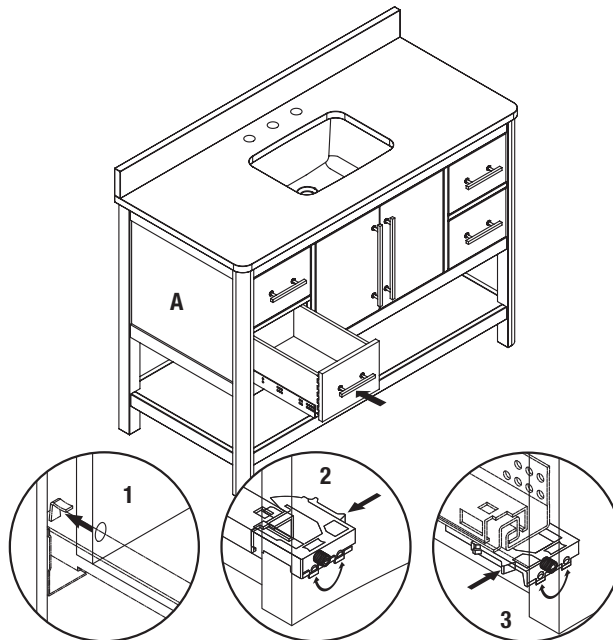


CAUTION: DO NOT force drawer or damage to glide may occur. If drawer does not slide in with ease, remove and try again from the start.



NOTE: To adjust the drawer box height, spin the adjustment wheel to the left to raise the drawer box or spin the adjustment wheel to the right to lower the drawer box. You can adjust the left and right side glide heights independently in order to find the drawers best alignment position.

NOTICE: Assembly is now complete. Install desired faucet and drain assemblies (neither included) per the manufacturers' instructions to complete the installation.



Care and Maintenance

- Dust the vanity regularly with a soft, non-lint producing cloth or household dusting product.
- You can clean the vanity with a gentle, non-abrasive household cleaner.
- Make sure to dry the wood immediately with a soft cloth or towel.
- The ceramic sink can be cleaned using standard ceramic cleaning agents available at your local supplier.
- Tips for using touch-up pen (HH): For scratches, stroke in direction of scratch; for worn areas, stroke in direction of wood grain. Rub off excess colorant promptly with a soft cloth.

IMPORTANT

- Shade variations and patterns are an inherent characteristic of stone (e.g. granite, marble, engineered stone). Stone tops will vary from product to product. Use caution placing items such as soap or any fragranced material on the stone surface. Use a soap dish, coaster or similar item to protect the surface if placing any soap or fragranced products on the stone.
- If soap or fragranced products come in contact with the stone top, rinse the surface with water and dry using a soft non-abrasive cloth.
- **DO NOT** use products to clean the stone top that contain acetone, lemon, vinegar or other acids as these may cause damage to the stone surface.
- Periodically reseal the stone top using an appropriate stone sealer available from your local home store. Follow the manufacturer's directions on how to apply.

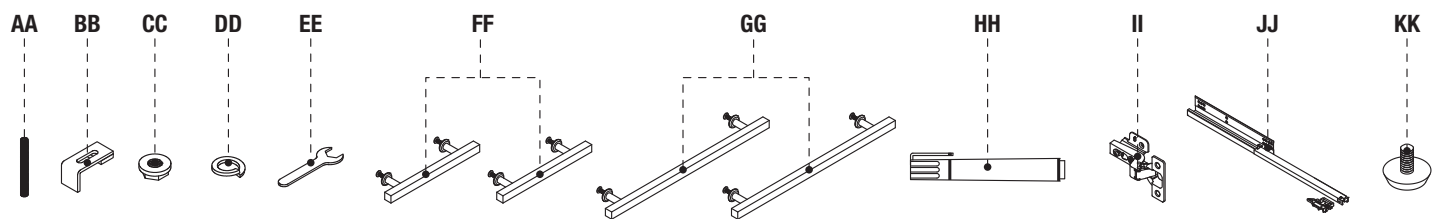
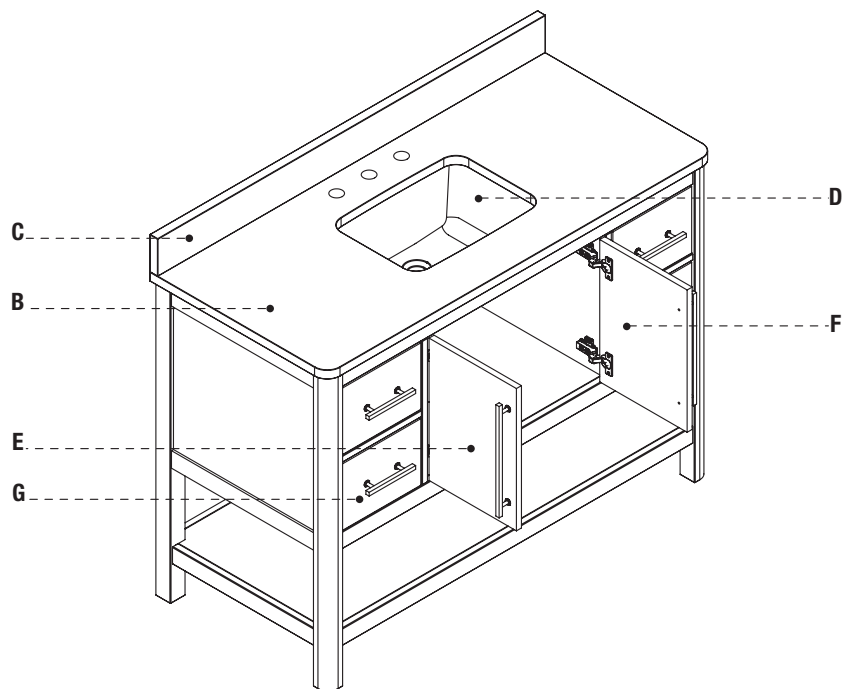
WARNING:



- Must use cleaning agents safe for stone. Check your cleaning agents' use restrictions before using on any stone. Damage to the stone may result. Vanity Manufacturer not responsible for damage caused by improper cleaning agents or soaps used. Warranty will not cover damage caused by the use of improper soaps or cleaning agents.

Service Parts For 1343VA48-201900

MODEL TYPE

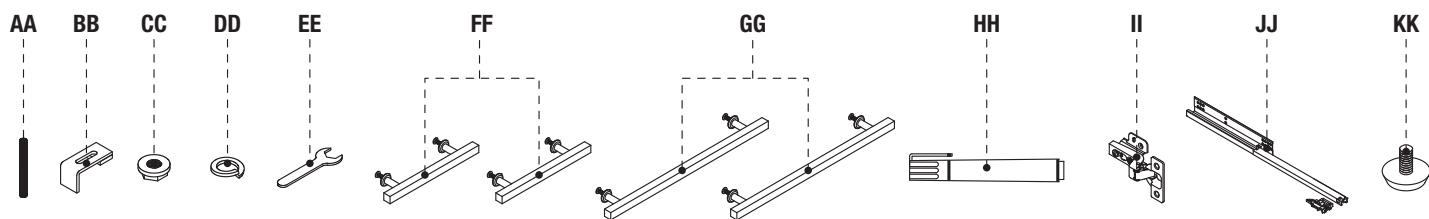
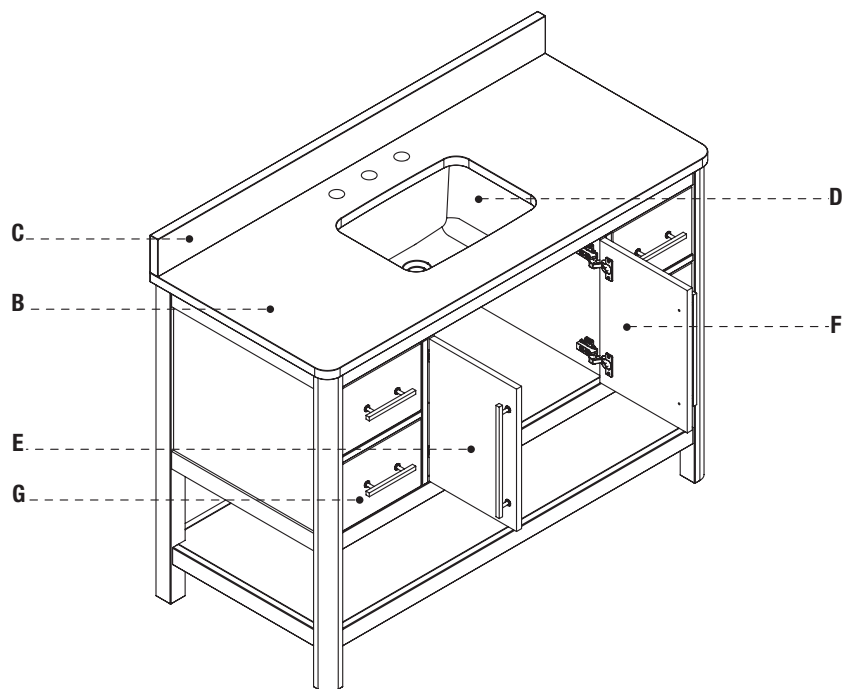


Part	Description	Part #
B	Top	4500VT-48-900
C	Backsplash	PUBS-25-900-48
D	Sink	PU17-18x14-SQUARE
E	Left Door	1343VA48-201-001/002-DOOR SET
F	Right Door	
G	Drawer Front	1343VA48-201-003-DRAWER FRONT
AA	Bolt	154-GTC-SINK CLIPS
BB	Sink Bracket	
CC	Nut	
DD	Lock Washer	
EE	Wrench	

Part	Description	Part #
FF	Small Handle-Brushed Nickel (with Screws)	A-11036S-BN
	Small Handle-Champagne Bronze (with Screws)	A-11036S-CB
GG	Large Handle-Brushed Nickel (with Screws)	A-11036L-BN
	Large Handle-Champagne Bronze (with Screws)	A-11036L-CB
HH	Touch-Up Pen	OF-0010
II	Hinge	C-90-107
JJ	Drawer Glide Set	PUDTC-14x3-HANDLE
KK	Leveler	T-1007

Service Parts For 1343VA48-201901

MODEL TYPE

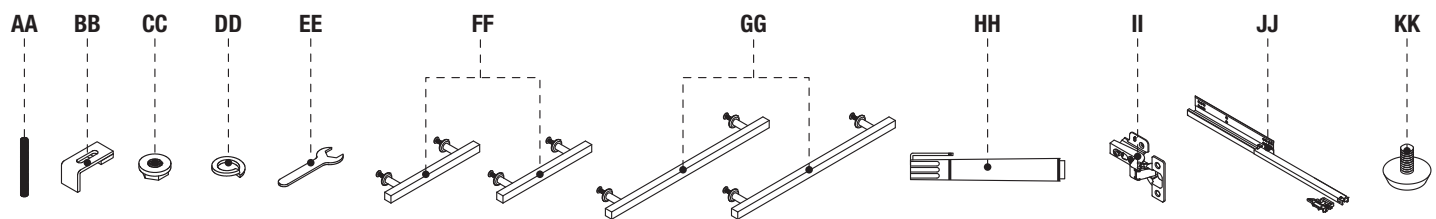
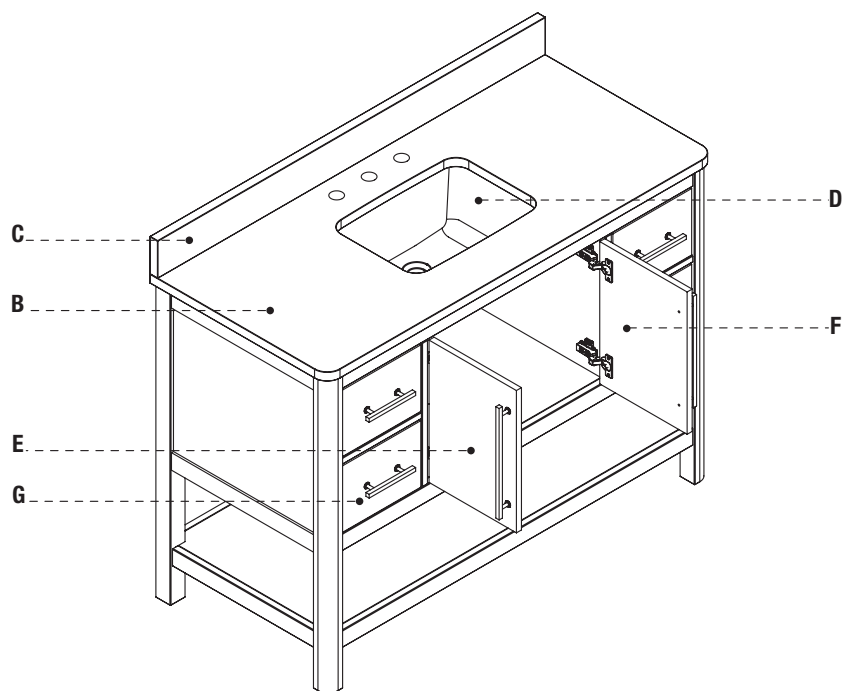


Part	Description	Part #
B	Top	4500VT-48-901
C	Backsplash	PUBS-25-901-48
D	Sink	PU17-18x14-SQUARE
E	Left Door	1343VA48-201-001/002-DOOR SET
F	Right Door	
G	Drawer Front	1343VA48-201-003-DRAWER FRONT
AA	Bolt	154-GTC-SINK CLIPS
BB	Sink Bracket	
CC	Nut	
DD	Lock Washer	
EE	Wrench	

Part	Description	Part #
FF	Small Handle-Brushed Nickel (with Screws)	A-11036S-BN
	Small Handle-Champagne Bronze (with Screws)	A-11036S-CB
GG	Large Handle-Brushed Nickel (with Screws)	A-11036L-BN
	Large Handle-Champagne Bronze (with Screws)	A-11036L-CB
HH	Touch-Up Pen	OF-0010
II	Hinge	C-90-107
JJ	Drawer Glide Set	PUDTC-14x3-HANDLE
KK	Leveler	T-1007

Service Parts For 1343VA48-242900

MODEL TYPE

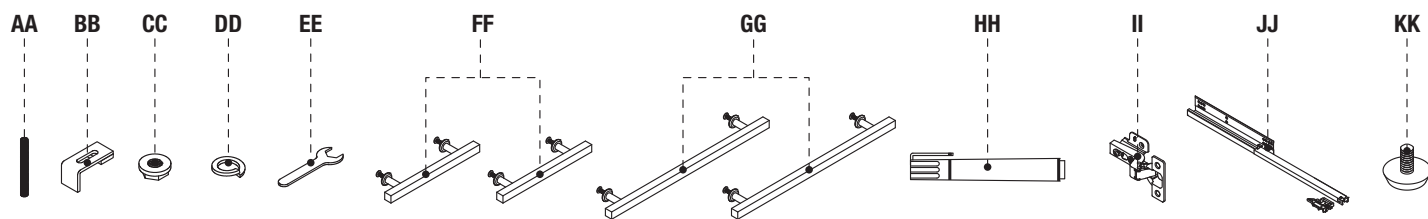
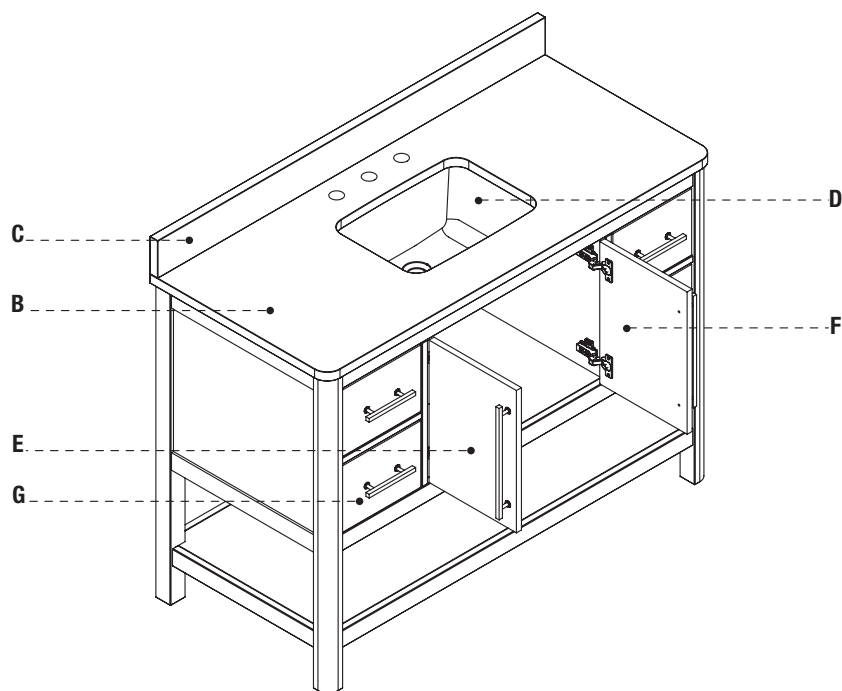


Part	Description	Part #
B	Top	4500VT-48-900
C	Backsplash	PUBS-25-900-48
D	Sink	PU17-18x14-SQUARE
E	Left Door	1343VA48-242-001/002- DOOR SET
F	Right Door	
G	Drawer Front	1343VA48-242-003- DRAWER FRONT
AA	Bolt	154-GTC-SINK CLIPS
BB	Sink Bracket	
CC	Nut	
DD	Lock Washer	
EE	Wrench	

Part	Description	Part #
FF	Small Handle-Brushed Nickel (with Screws)	A-11036S-BN
	Small Handle-Champagne Bronze (with Screws)	A-11036S-CB
GG	Large Handle-Brushed Nickel (with Screws)	A-11036L-BN
	Large Handle-Champagne Bronze (with Screws)	A-11036L-CB
HH	Touch-Up Pen	OF-0120R
II	Hinge	C-90-107
JJ	Drawer Glide Set	PUDTC-14x3-HANDLE
KK	Leveler	T-1007

Service Parts For 1343VA48-242901

MODEL TYPE



Part	Description	Part #
B	Top	4500VT-48-901
C	Backsplash	PUBS-25-901-48
D	Sink	PU17-18x14-SQUARE
E	Left Door	1343VA48-242-001/002-DOOR SET
F	Right Door	
G	Drawer Front	1343VA48-242-003-DRAWER FRONT
AA	Bolt	154-GTC-SINK CLIPS
BB	Sink Bracket	
CC	Nut	
DD	Lock Washer	
EE	Wrench	

Part	Description	Part #
FF	Small Handle-Brushed Nickel (with Screws)	A-11036S-BN
	Small Handle-Champagne Bronze (with Screws)	A-11036S-CB
GG	Large Handle-Brushed Nickel (with Screws)	A-11036L-BN
	Large Handle-Champagne Bronze (with Screws)	A-11036L-CB
HH	Touch-Up Pen	OF-0120R
II	Hinge	C-90-107
JJ	Drawer Glide Set	PUDTC-14x3-HANDLE
KK	Leveler	T-1007

**HOME
DECORATORS
COLLECTION®**

Questions, problems, missing parts? Before returning to the store,
call Home Decorators Collection Customer Service
8 a.m. - 7 p.m., EST, Monday - Friday, 9 a.m. - 6 p.m., EST, Saturday

1-800-998-7021

[HOMEDEPOT.COM/HOMEDECORATORS](https://www.homedepot.com/homedecorators)

Retain this manual for future use.