

# Foldable Swing Set

## USER MANUAL



READ AND SAVE THIS INSTRUCTION FOR FUTURE USE

---

# SAFETY & CARE

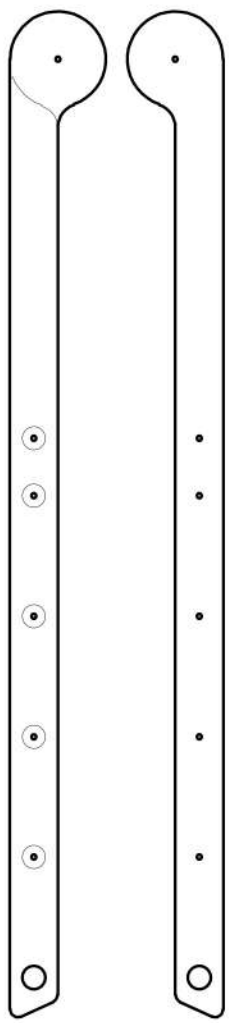
- ADULT assembly required!
- Never place product on an elevated surface.
- Children must not use this product until assembly is completed.
- Always place product on a flat, level surface. NEVER place near stairs.
- This product should only be used under adult supervision.
- This product is intended for indoor, domestic use only. It is not suitable for commercial or medical use.
- DISPOSAL OF PACKAGING: Make sure to throw away all packaging materials. They are not to be used as toys.
- NEVER use this product if there are any loose or missing fasteners, loose joints or broken parts. Check after assembly.
- Adults should check all screws weekly or if the product gets loose and or wobbly, then tighten. If product continues to be not sturdy, then stop and do not use.
- Cleaning - using a damp cloth, use mild liquid dish soap to wipe clean product. You may want to clean the under side first to make sure you are not damaging the finish.

**PLEASE DO NOT RETURN TO STORE**

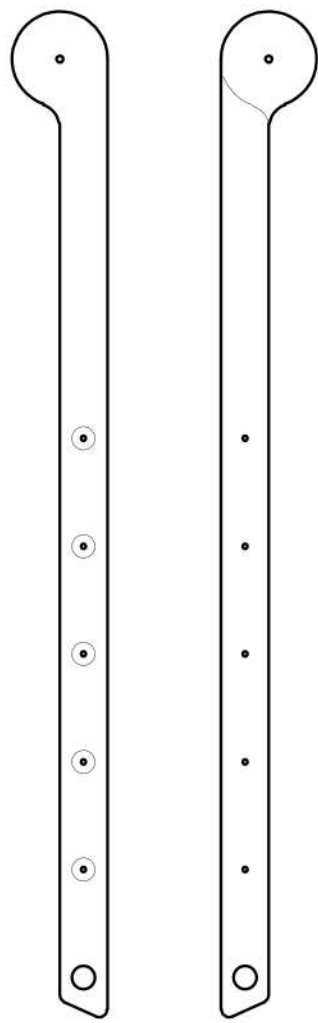


**Please do not return this product to the retailer!!  
We are able to assist you in ANY way**

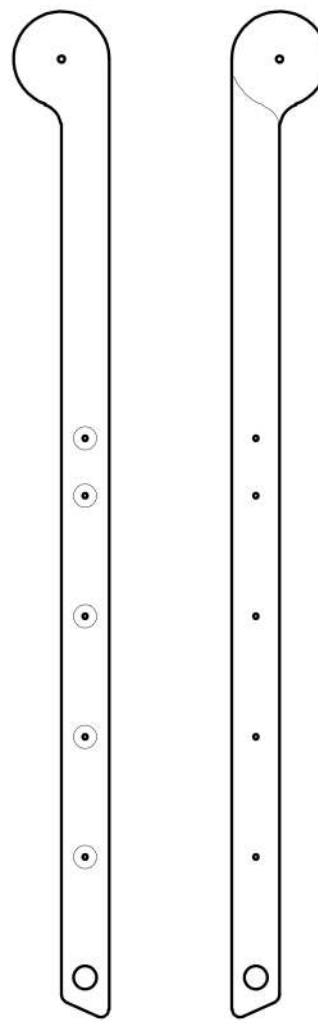
If you find that you have any trouble with assembly or missing or damaged parts please contact the seller.



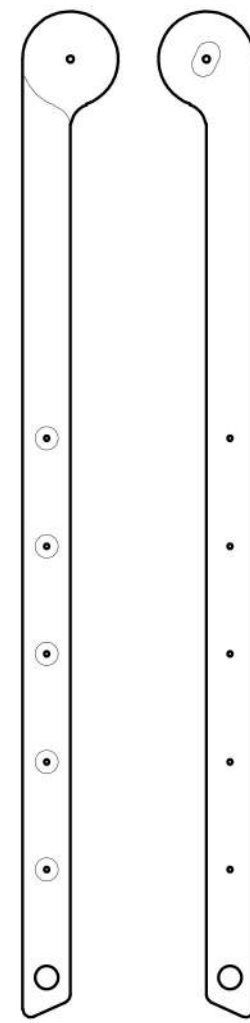
① x1 49.6in



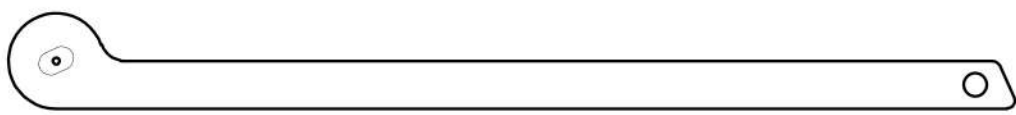
② x1 49.6in



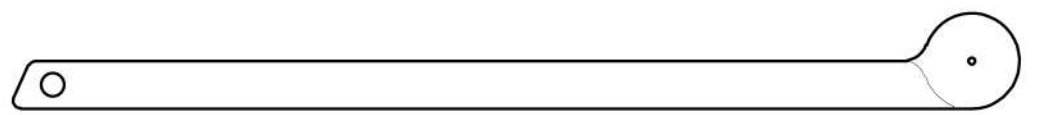
③ x1 49.6in



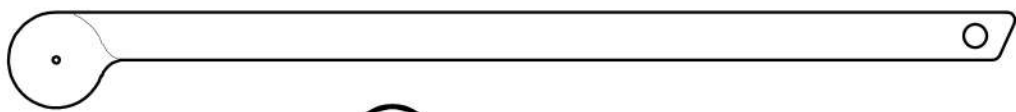
④ x1 49.6in



⑤ x1 49.6in



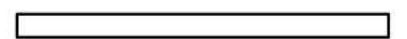
⑥ x1 49.6in



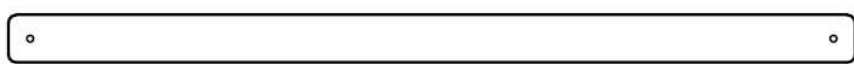
⑦ x2 45.8in



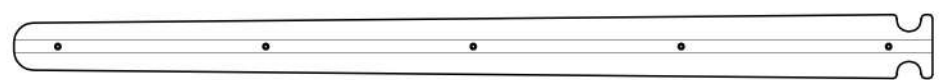
⑧ x1 18.3in



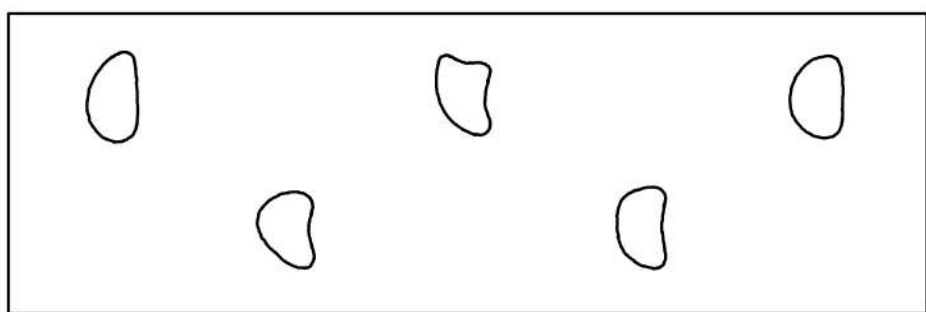
⑨ x9 18.3in



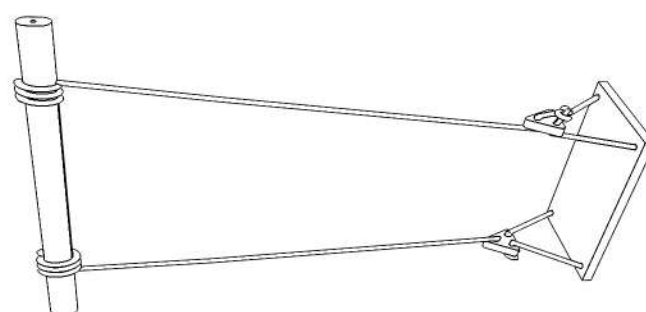
⑩ x2 41.7in



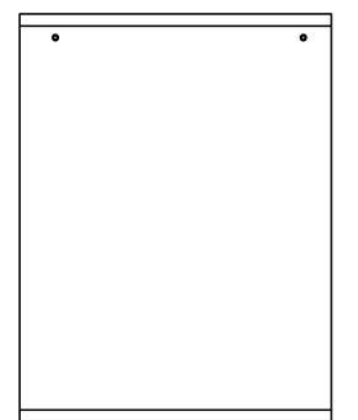
⑪ x2 45.3in



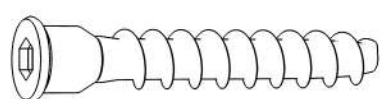
⑫ x1 45.3in



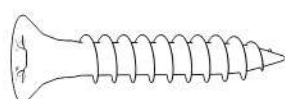
⑬ x1 26in



⑭ x1 20.1in



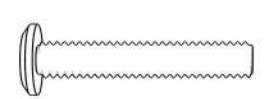
M6.3x40  
① x30



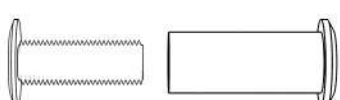
M4x20  
② x6



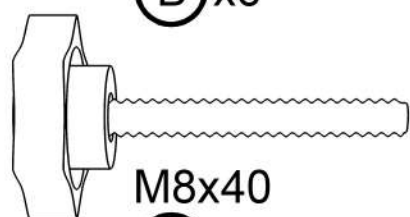
M8x40  
③ x2



M6x40  
④ x2



M6x15 M6x20  
⑤ x1



M8x40  
⑥ x4

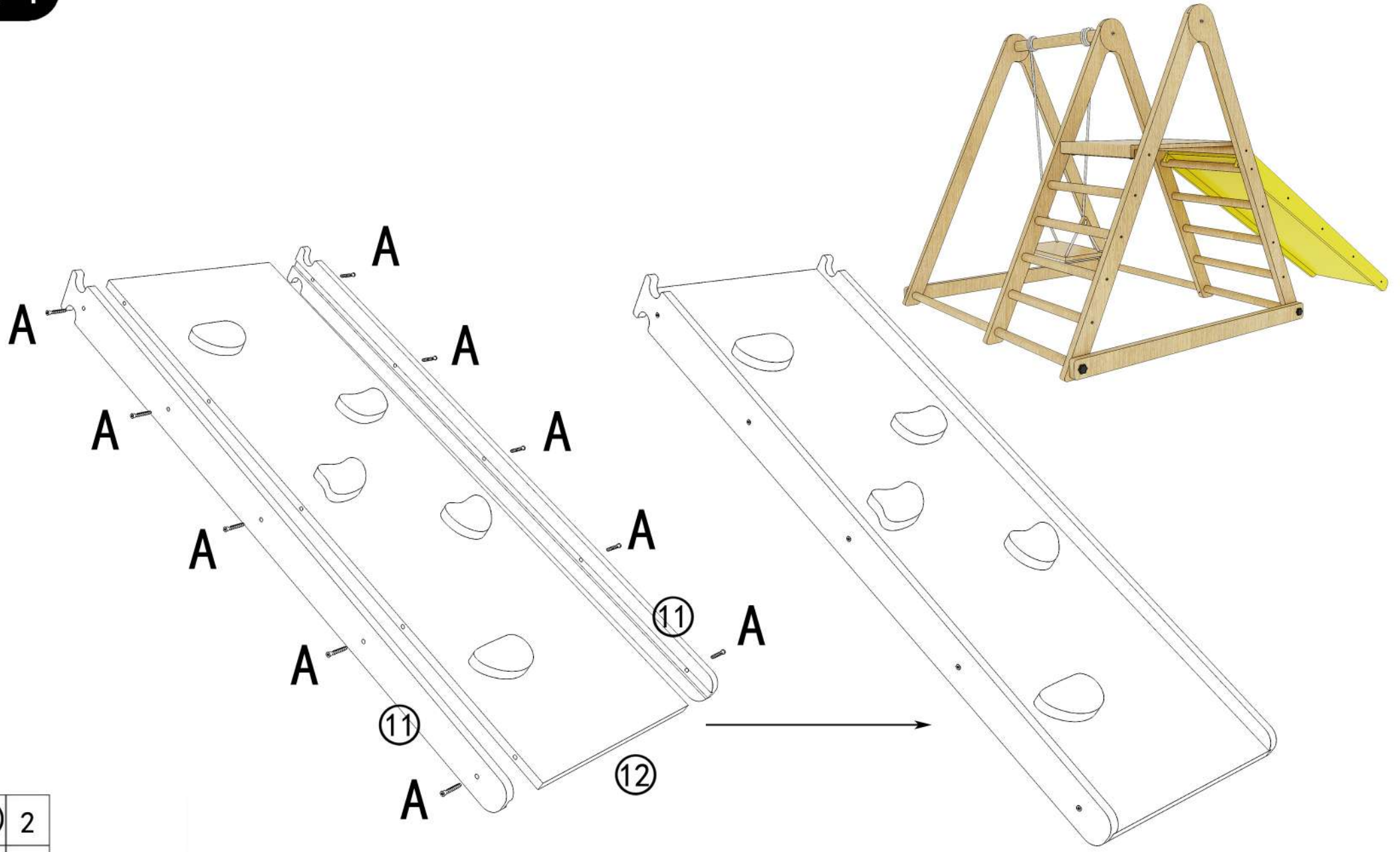


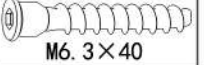
M4  
⑦ x2



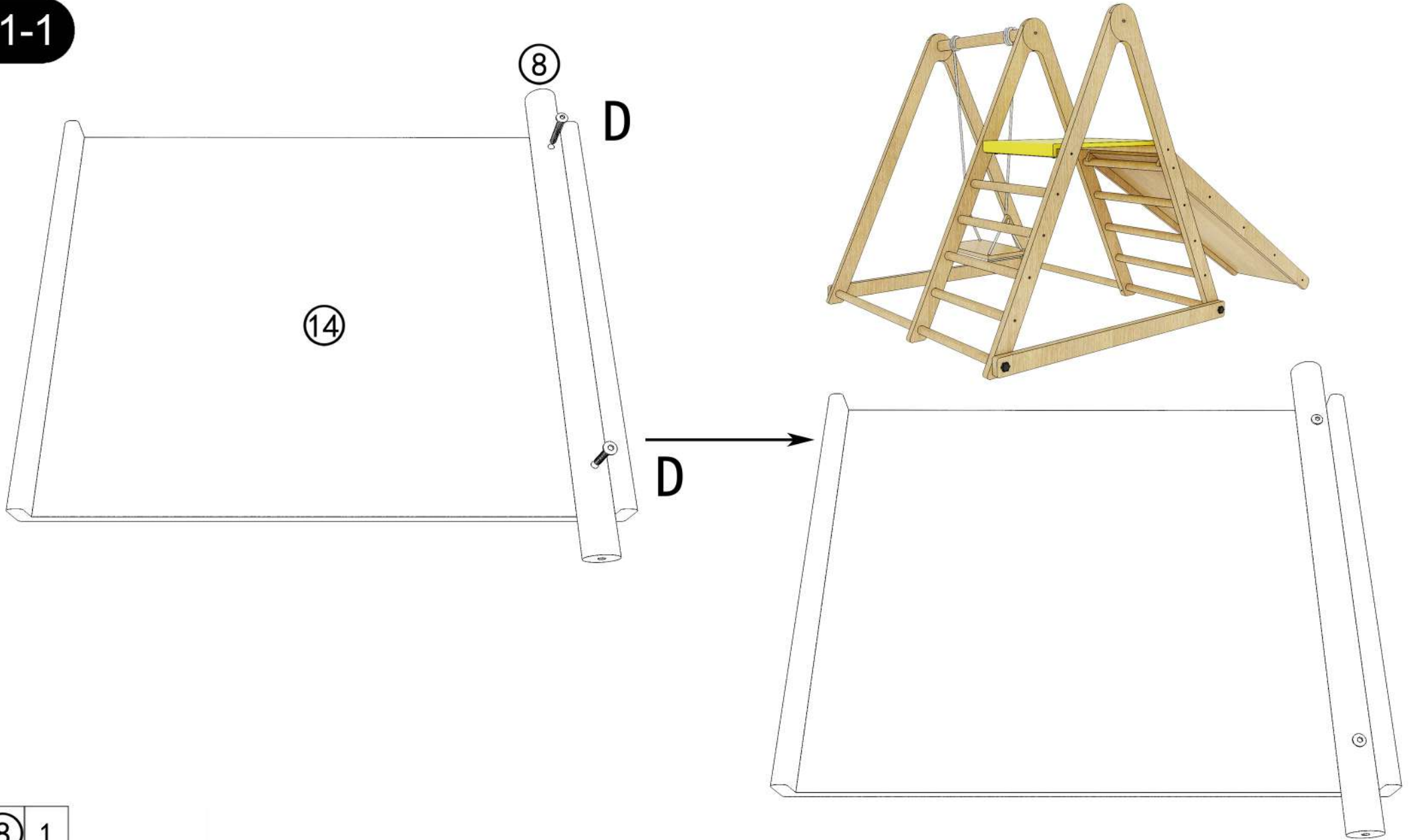
M8  
⑧ x1

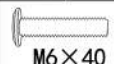
**A1-1**

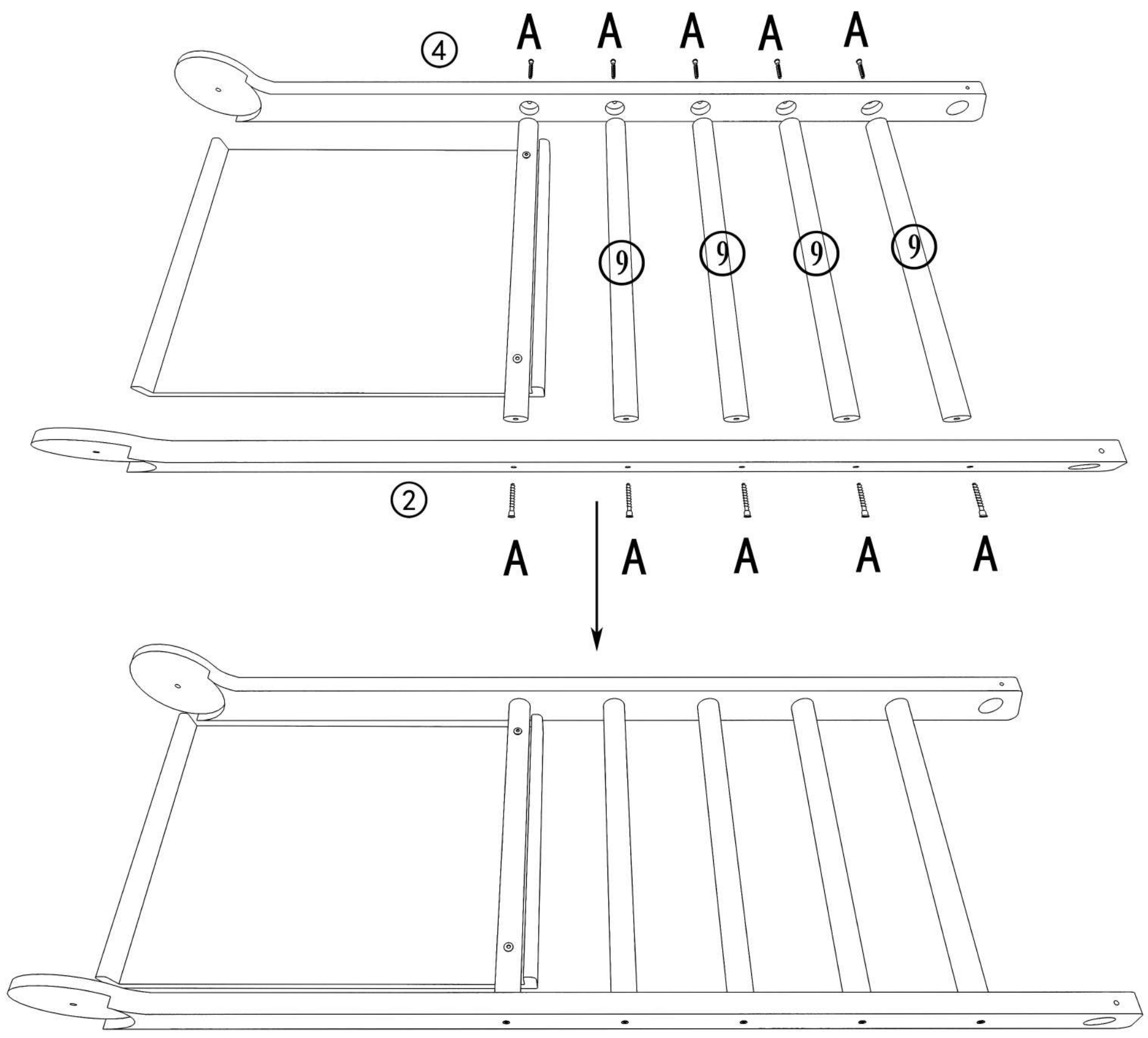



⑪	2	
⑫	1	
A	 M6. 3x40 <table border="1" style="display: inline-table; vertical-align: middle;"> <tr> <td>10</td> </tr> </table>	10
10		

**B1-1**

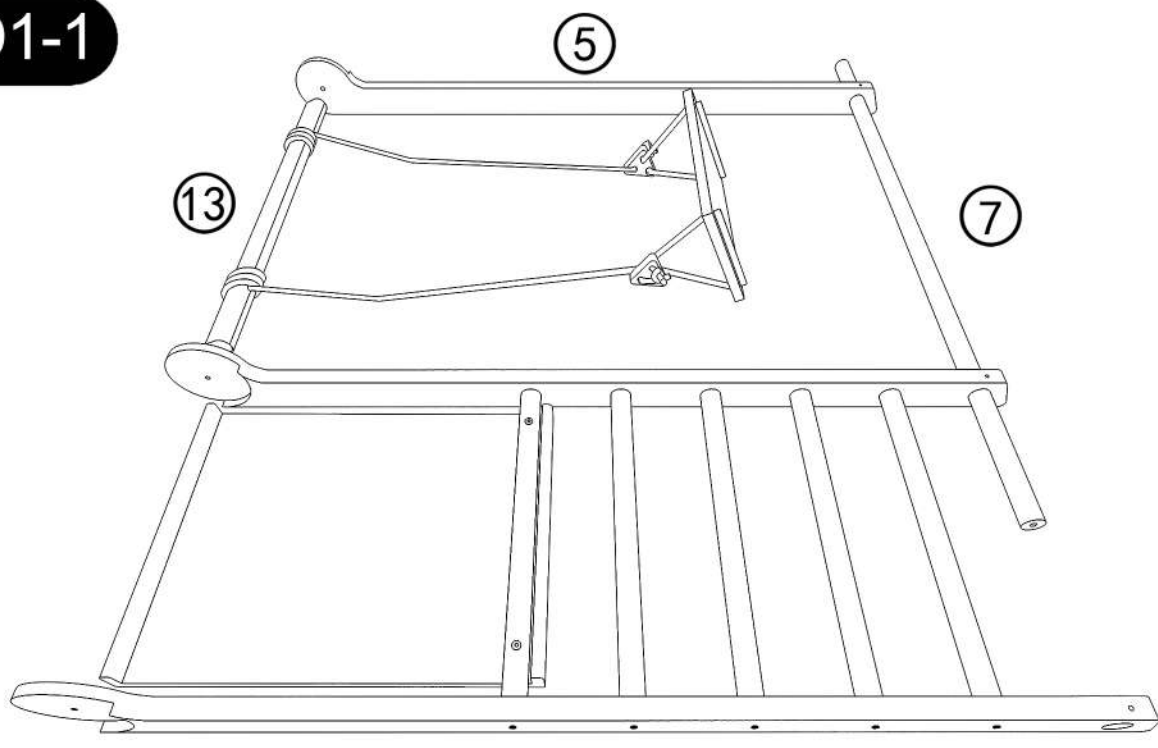


⑧	1	
⑭	1	
D	 M6x40 <table border="1" style="display: inline-table; vertical-align: middle;"> <tr> <td>2</td> </tr> </table>	2
2		



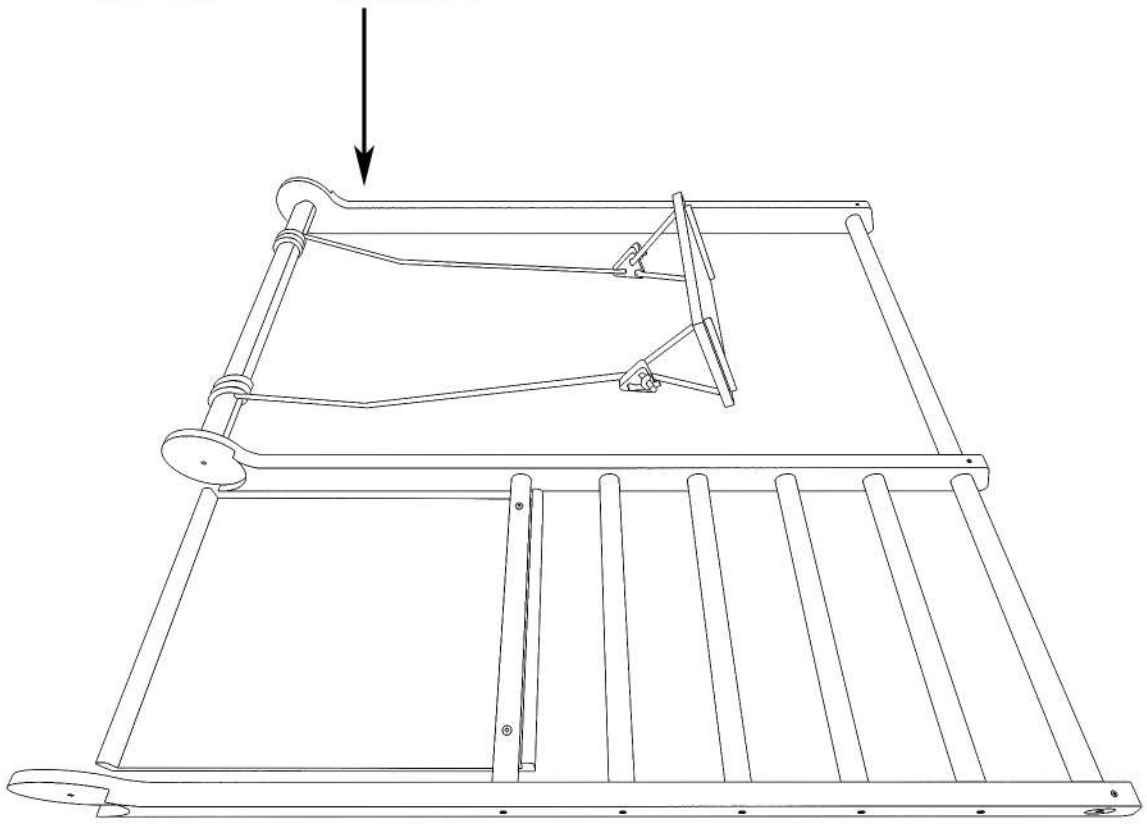
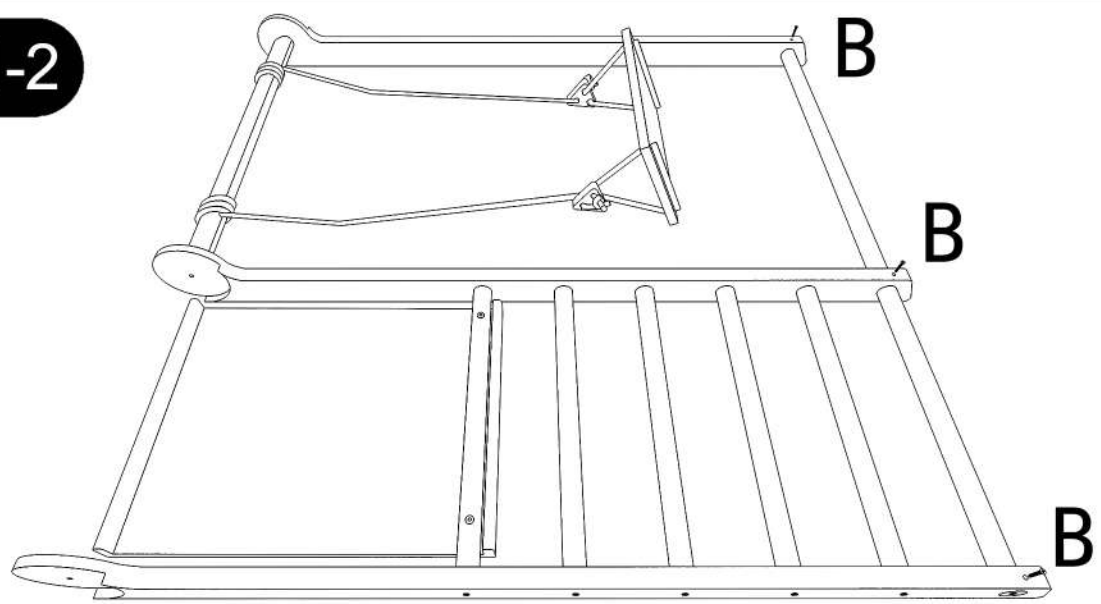
9	4
4	1
2	1
A	 M6. 3x40 10


D1-1



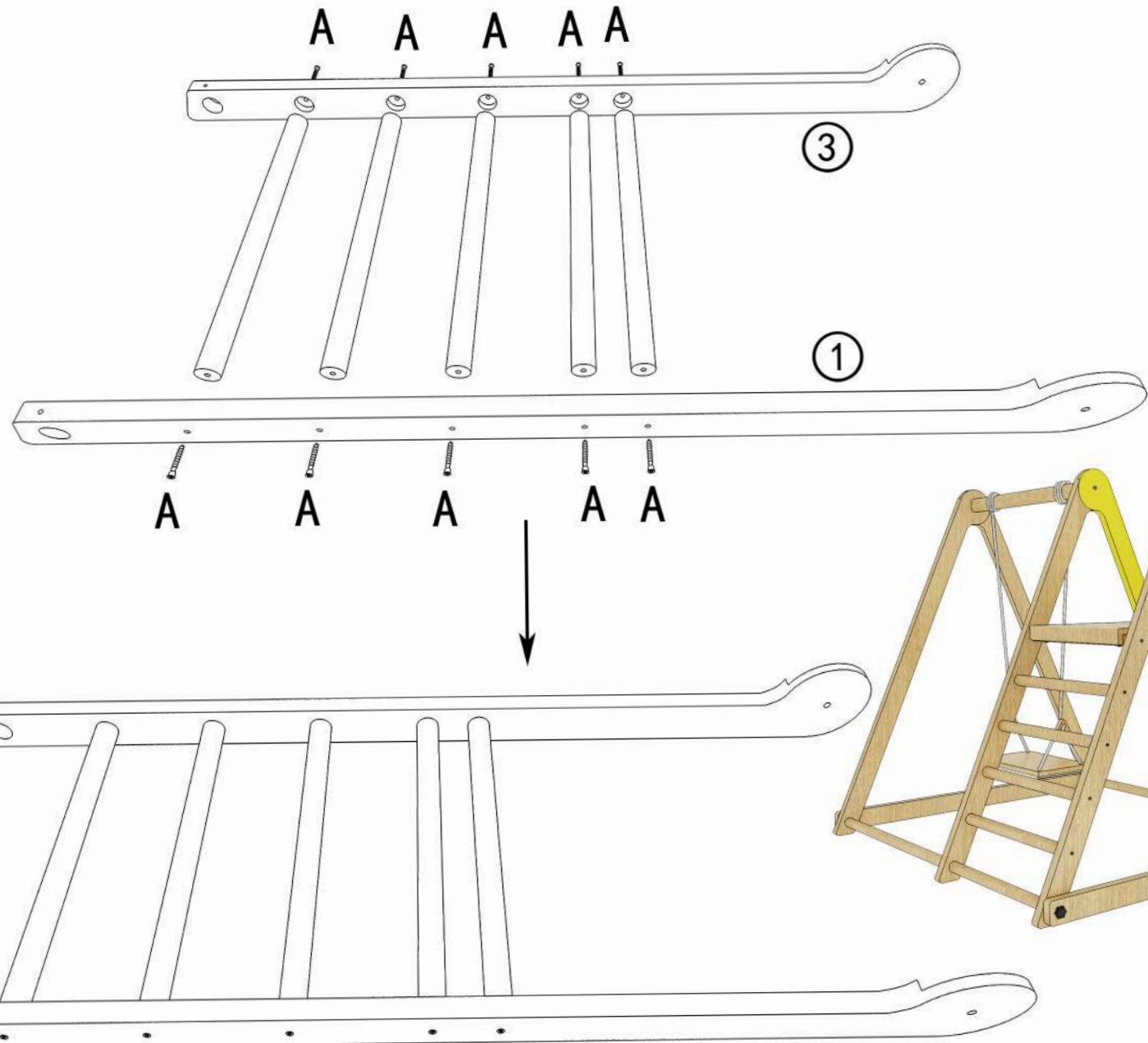
7	1
5	1
13	1

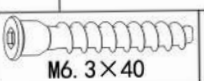
D1-2



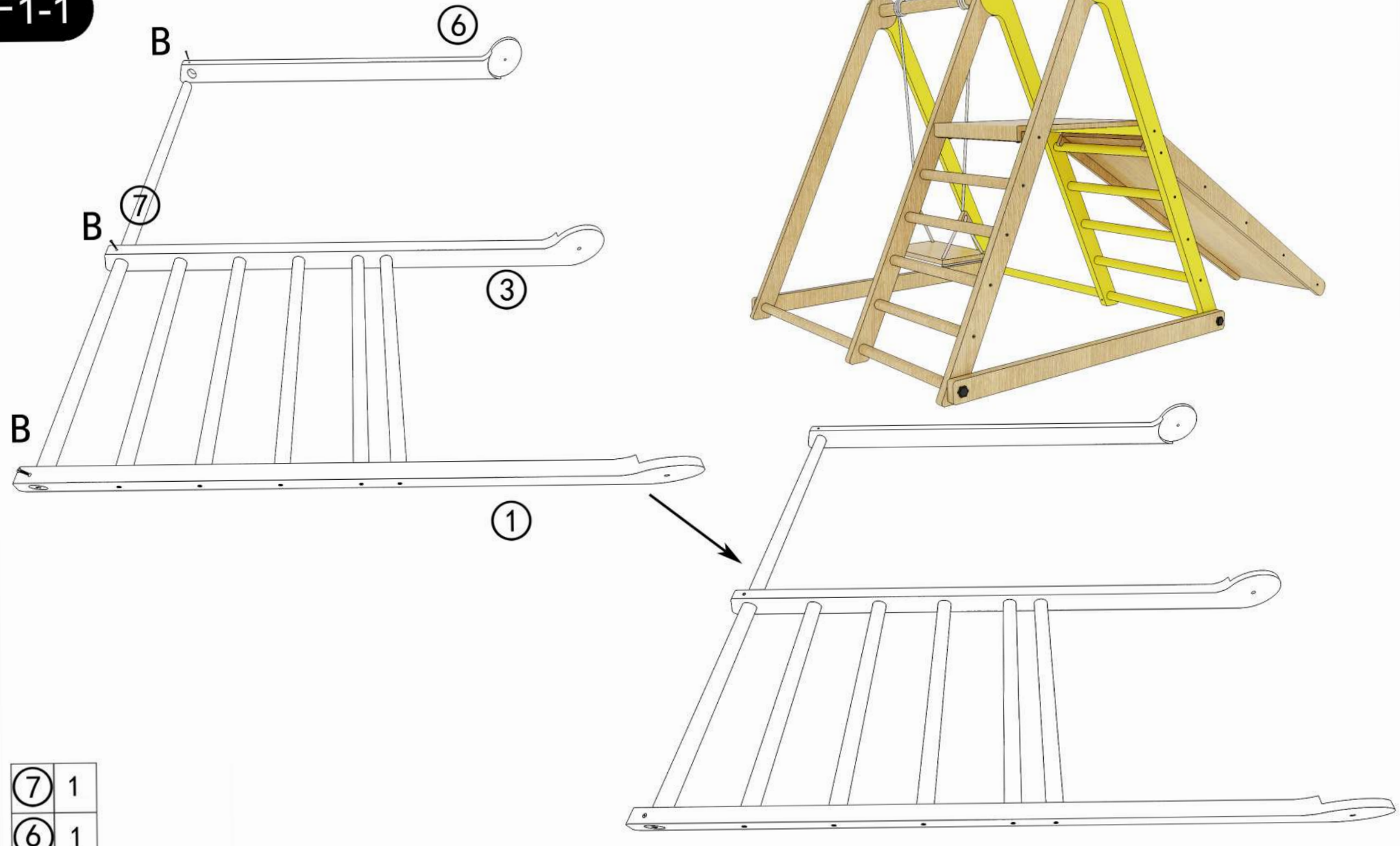
B		3
---	---	---

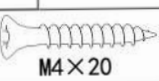
**E1-1**



⑨	5
①	1
③	1
A	 10 M6. 3x40

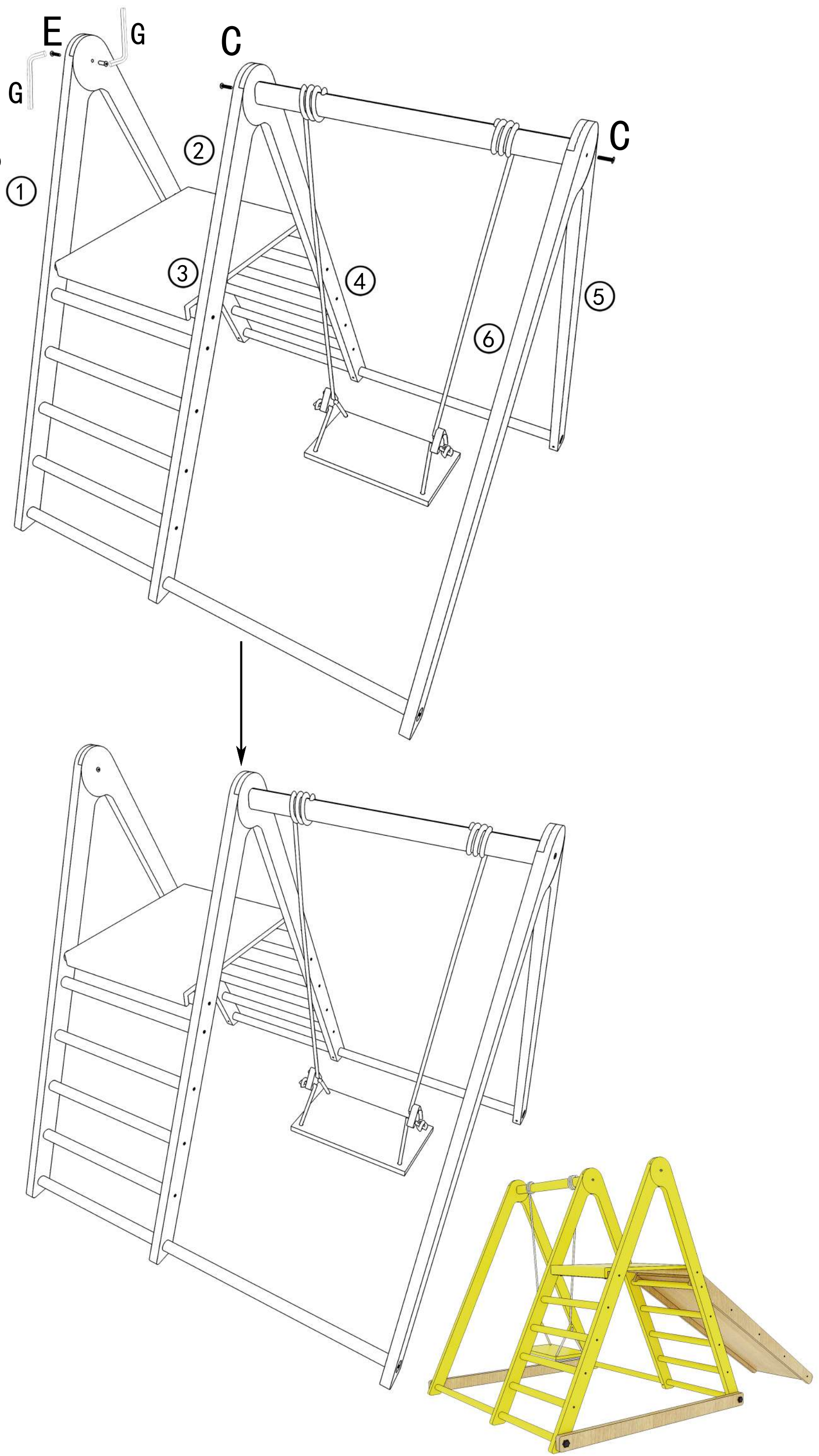
**F1-1**

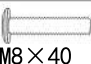




⑦	1
⑥	1
B	 3 M4x20

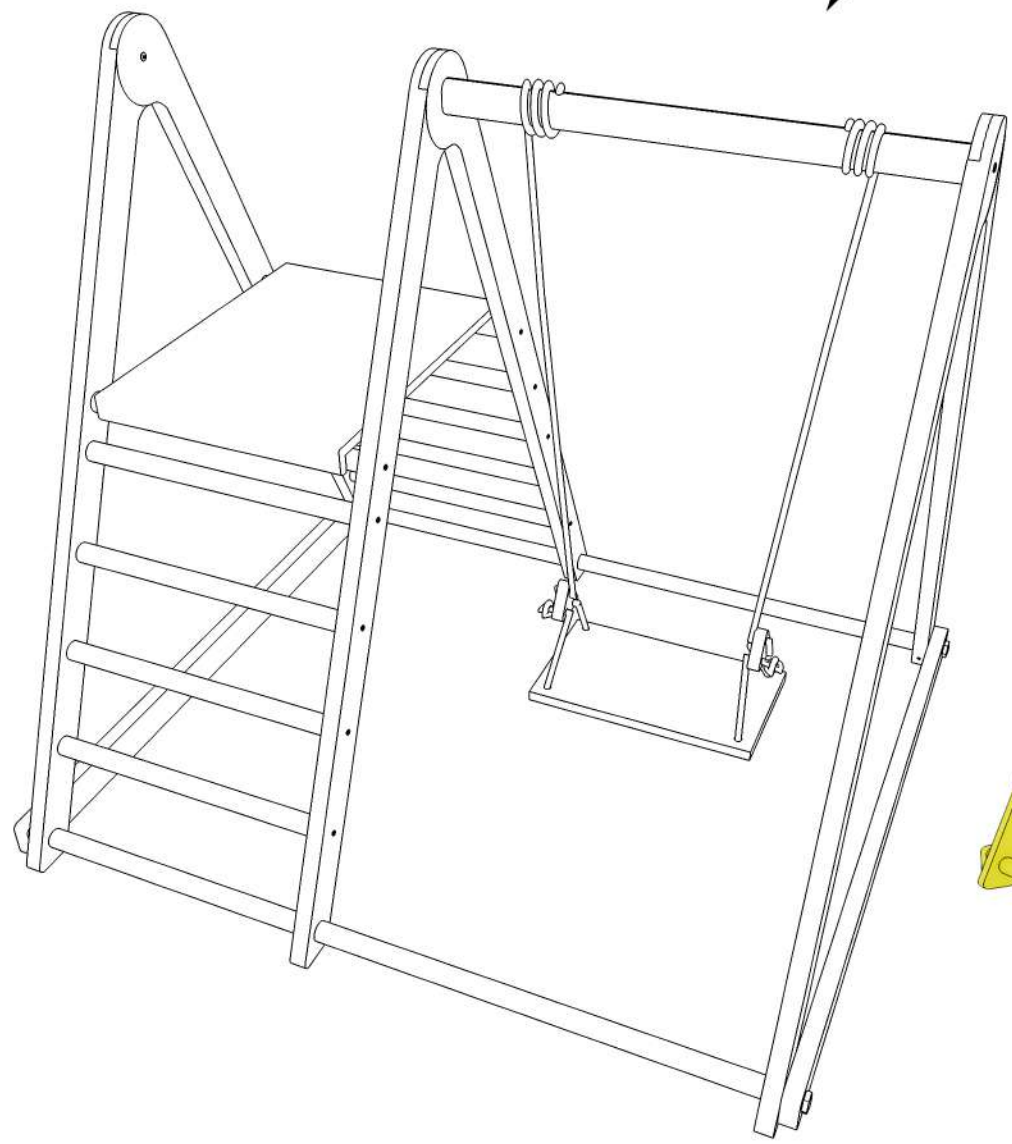
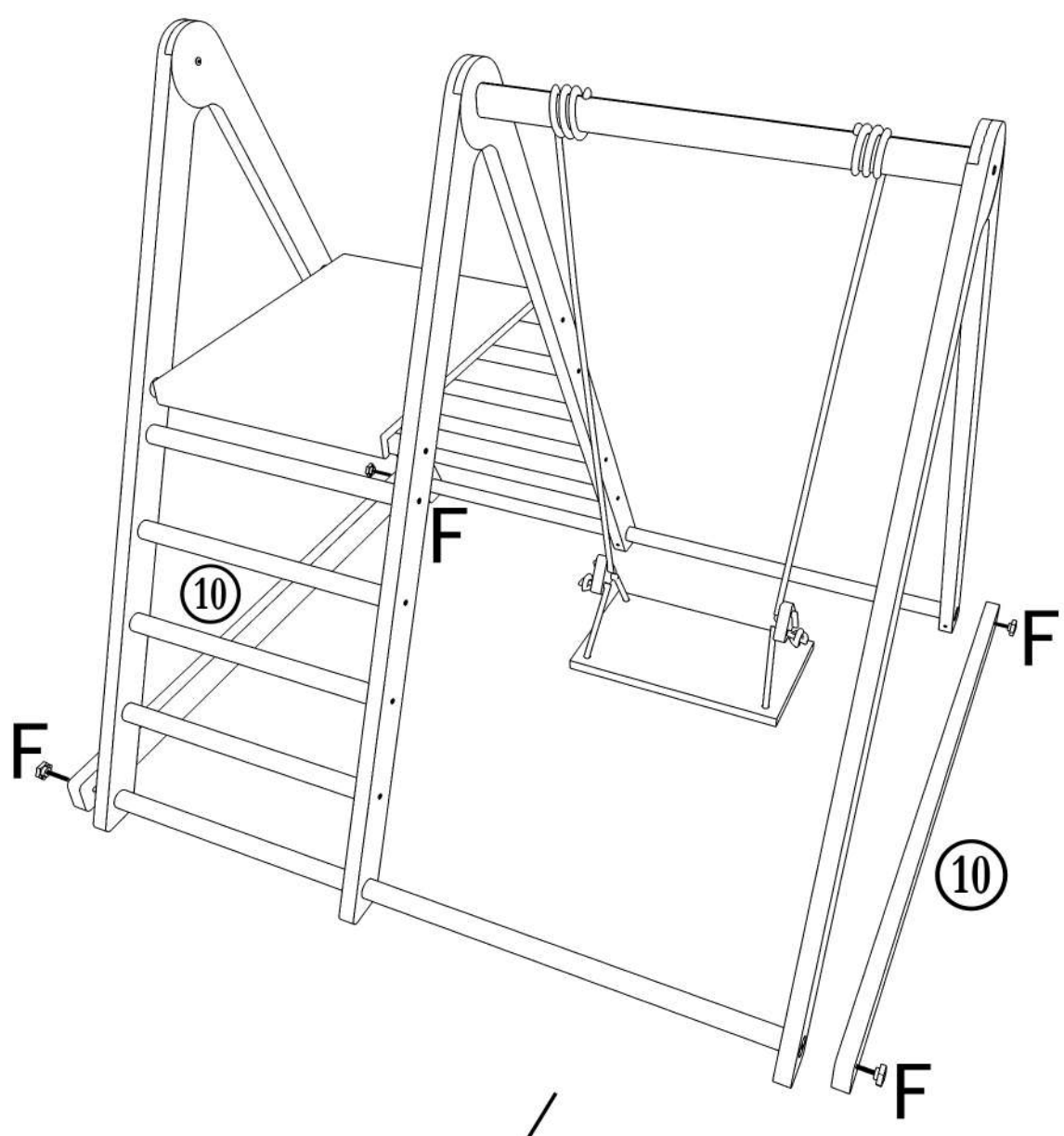
**G1-1**

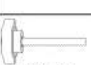
To fasten the Bolt #E,  
use 2 Allen Keys #G to  
increase leverage.



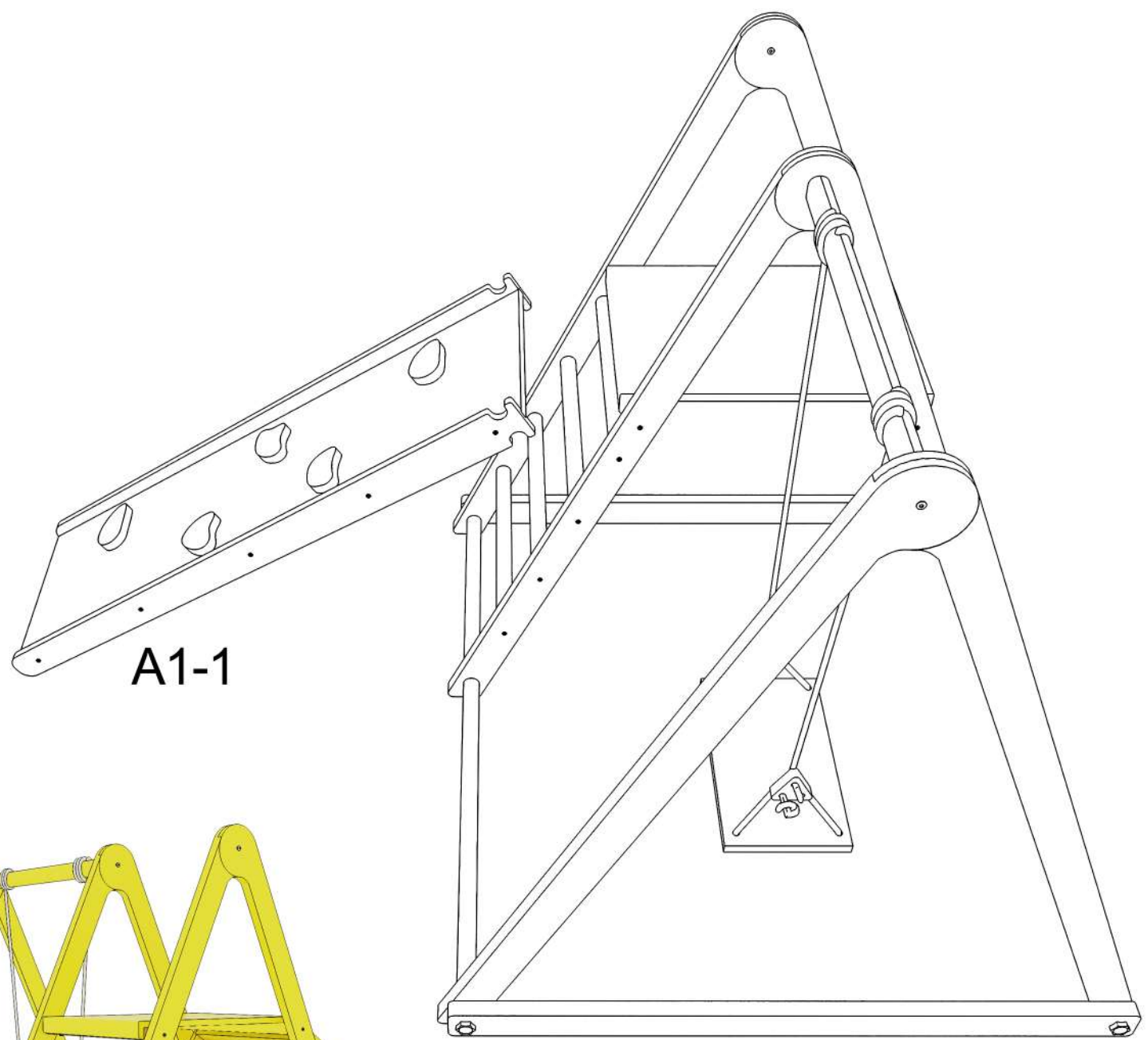
<b>C</b>	 M8 × 40	2
<b>E</b>	 M6 × 15 M6 × 20	1
<b>G</b>	 M4	2





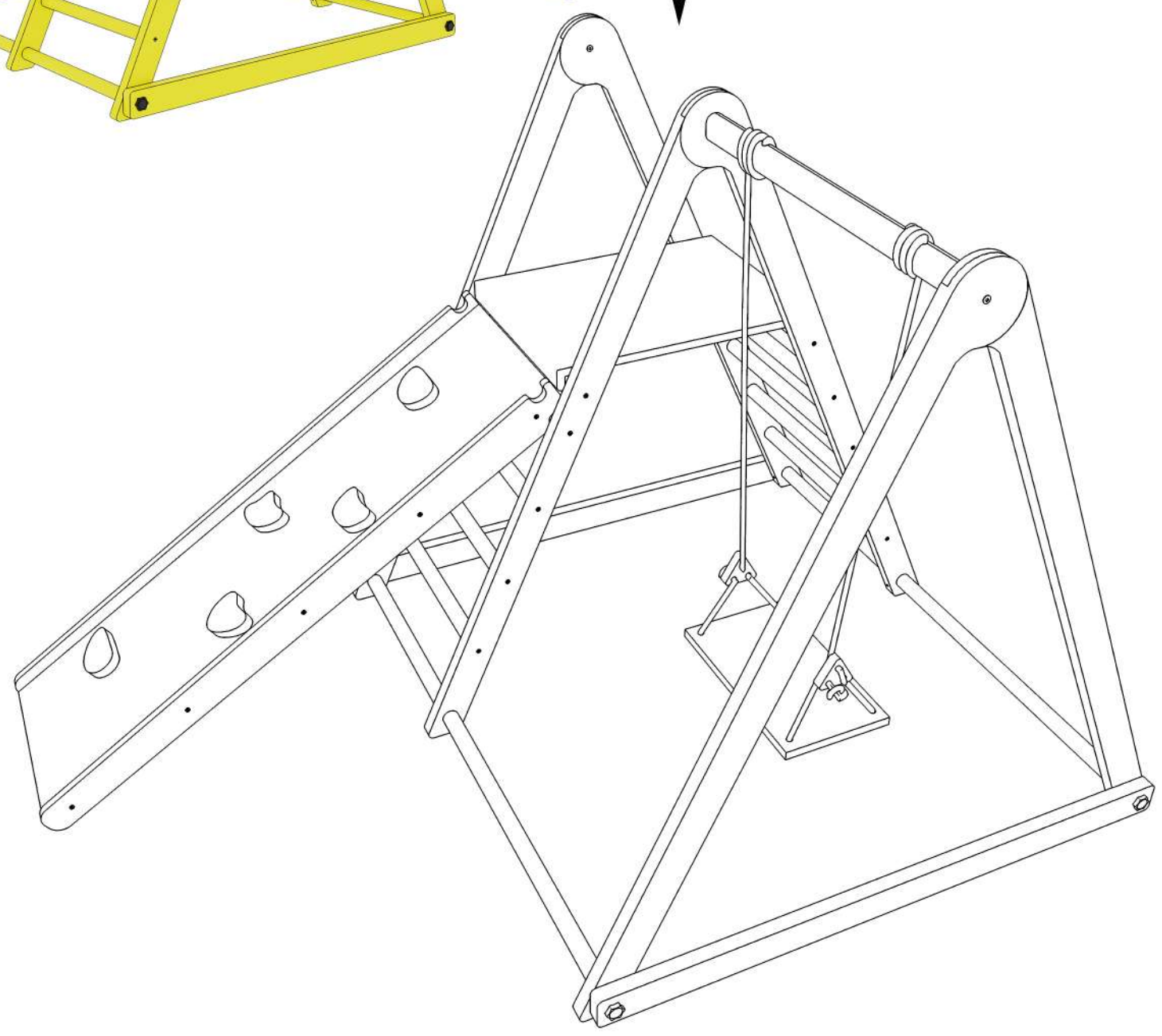
10	2
F	 4

M8 x 40

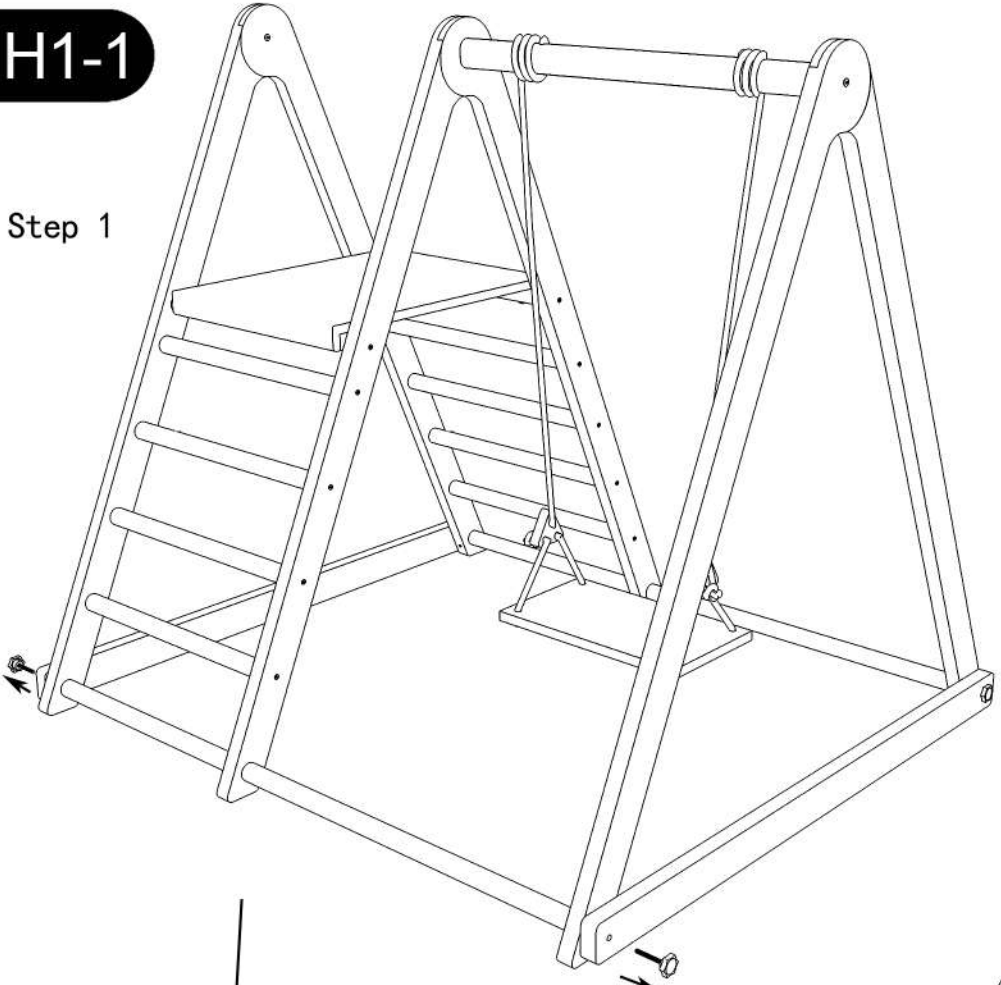


A1-1

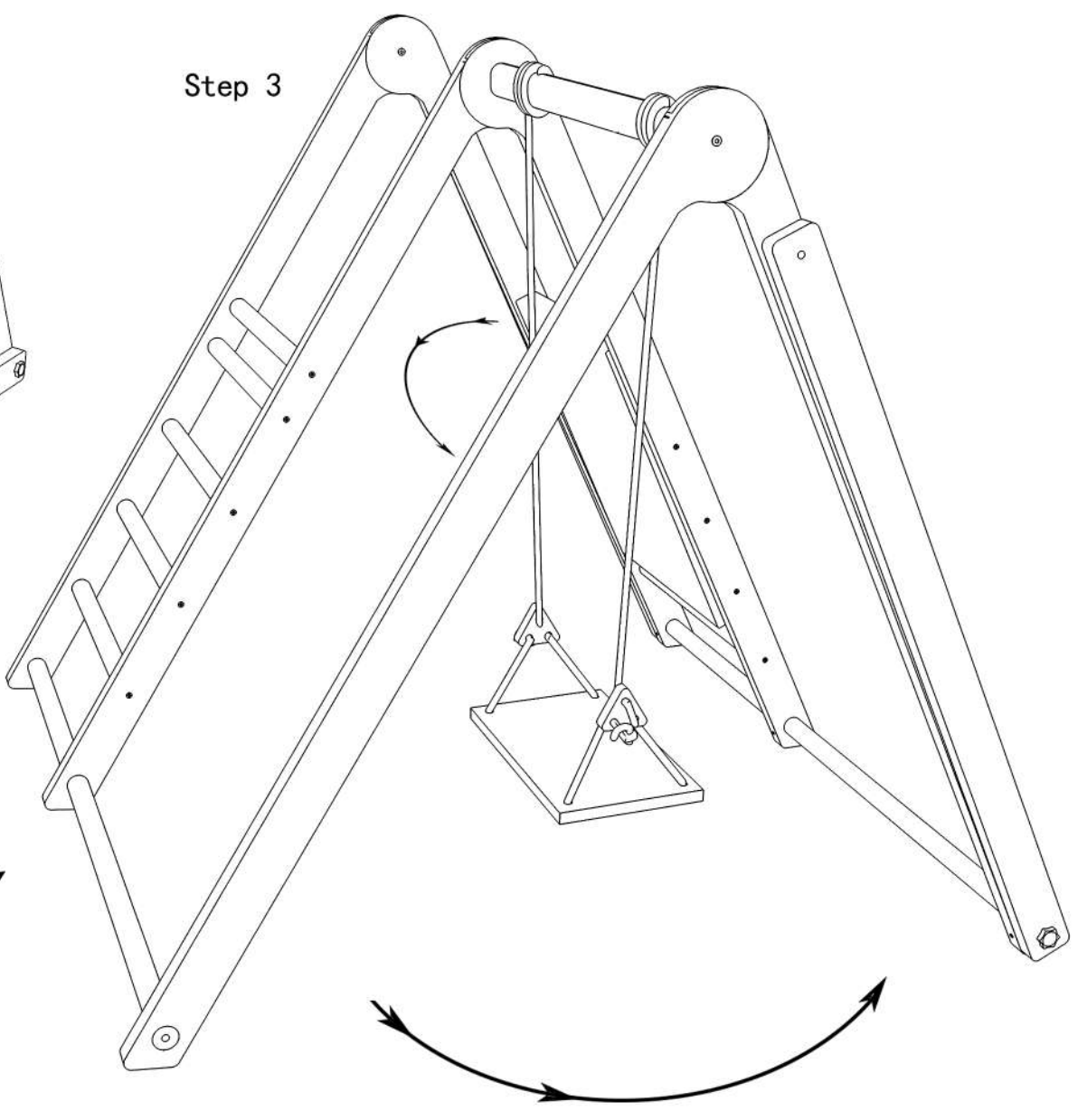
G1-1



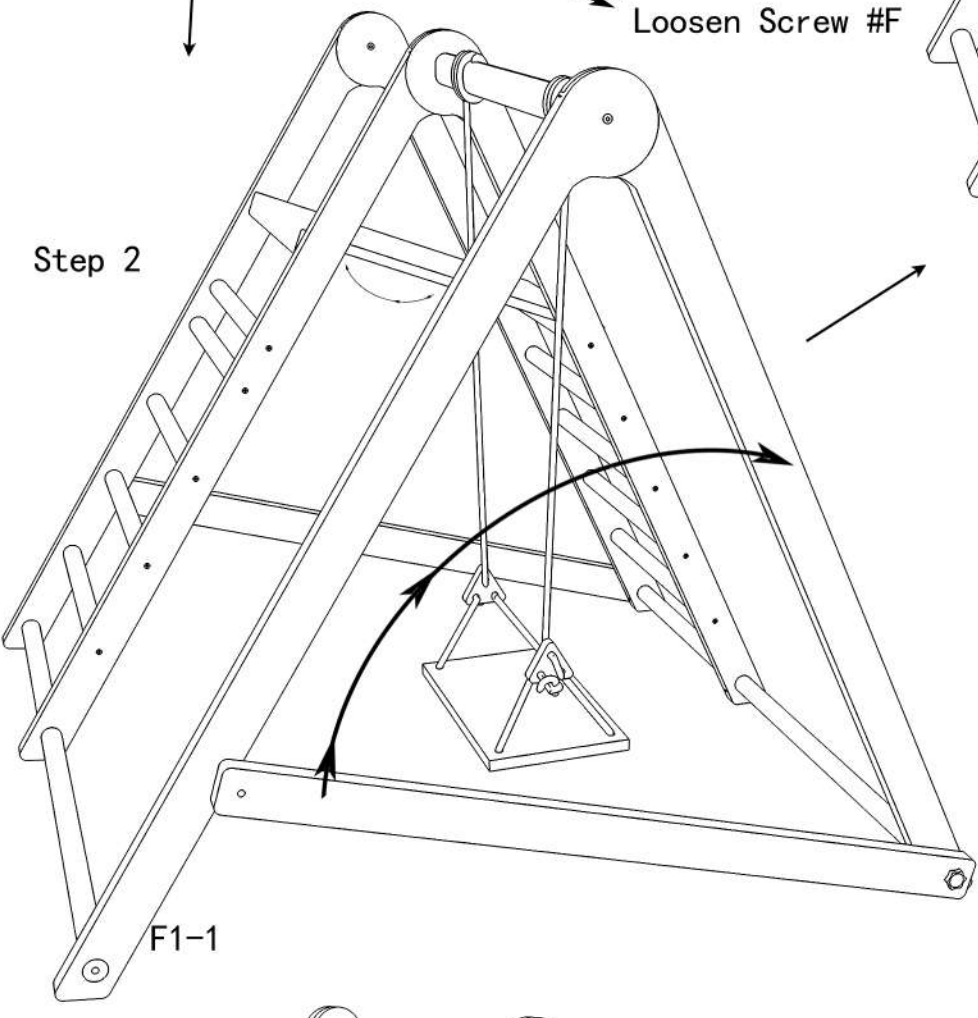
Step 1



Step 3



Step 2



Loosen Screw #F

Fold

