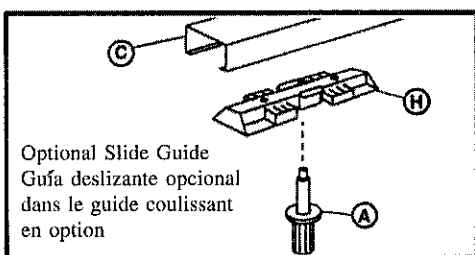
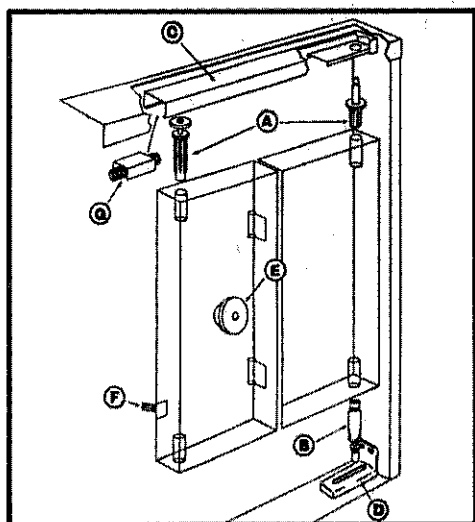


INSTALLATION INSTRUCTIONS



Step 1 – Insert top pivots (A) into pre-drilled holes in top of door panels. Insert bottom pivot (B) into pre-drilled hole at bottom edge of pivot door panel at the jamb side of the opening.

Step 2 – Fasten track (C) at top of opening on header using long screws provided. Fasten jamb bracket (D) in line with track on jamb side of opening, making sure that base of bracket rests firmly on the floor.

If optional slide guide is used, snap slide guide (H) into middle of track.

Step 3 – Install door panels by inserting the top pivot at the pivoting side of door into track bracket. With top pivot inserted, lift upward on panels and position bottom pivot into jamb bracket on floor. Let bottom pivot sit onto jamb bracket firmly with knurled teeth engaged.

Depress guide pivot and position under track and release so guide pivot is securely positioned in track (or optional slide guide).

Step 4 – Adjust door height by slightly lifting panels and turning threaded stem of bottom pivot. Seat pivot into jamb bracket at desired height.

Step 5 – Adjust door horizontally by altering position of bottom pivot in jamb bracket. Lift door slightly and move bottom pivot in either direction as necessary to bring door plumb with opening. Check to ensure guide pivot does not disengage during door operation, and door edge does not rub jamb. If necessary, adjust track bracket by loosening bracket screw and slide bracket within the track. Tighten at desired location.

Step 6 – Mount knobs (E) in center of door; approximately 36 inches from floor.

Step 7 – (For 4 Panel Sets Only) – Mount aligners (F) on back side of guide door.

Step 8 – Insert snugger (G) into track at guide door side of opening.

PINECROFT LIMITED WARRANTY

Thank you for purchasing a Pinecroft Bi-Fold door.

LTL Home Products, Inc. warrants all bi-fold doors for one (1) year from the date of shipment to be of good material and workmanship and to be free of defects which would render the Bi-fold unusable or unfit for ordinary application. Proof of purchase, consisting of an original cash register receipt and UPC bar code from shutter label, is required to validate the terms of the warranty.

If warranted, bi-folds are found to contain defects, LTL Home Products, Inc. may at its discretion either repair the door without charge, replace the door without charge, or refund the original price paid for the bi-fold door.

LTL Home Products, Inc. will perform one of the above obligations within forty-five (45) days after receipt of appropriate notice has been given by the customer to LTL Home Products, Inc. Customer Service Department, 125 Route 61, Schuylkill Haven, PA 17972. Said notice must be written, must include a specific description of the alleged defect and must be accompanied by the proof of purchase as described above. For additional information, please call 1-800-360-1585.

LTL Home Products, Inc. will not be liable for any bi-fold repaired or replaced without prior written consent by the Customer Service Department of LTL Home Products, Inc. At no time will LTL Home Products, Inc. compensate for painting or rehanging of the door necessitated from repair or replacement.

This warranty is valid only if proper installation, in accordance with above instructions, is followed. LTL Home Products, Inc. reserves the final discretion pertaining to installation.

The sole responsibility of LTL Home Products, Inc. under this warranty is as stated herein. It shall not be liable for any damages or for any amount in excess of its cost to repair or replace the defective bi-fold, or to refund the original purchase price to the customer, whether the claim is for breach of warranty or negligence.



LTL Home Products, Inc.

This product has been custom crafted of solid pine for _____

And inspected by _____

Date _____ Size _____ Style _____