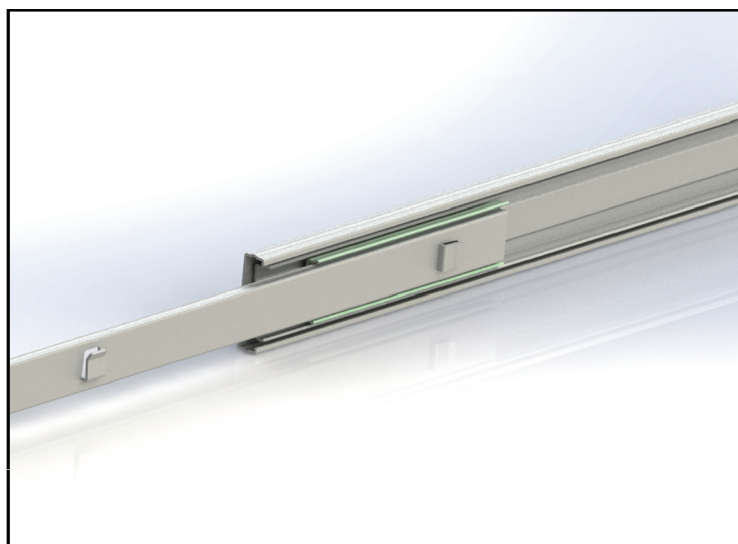
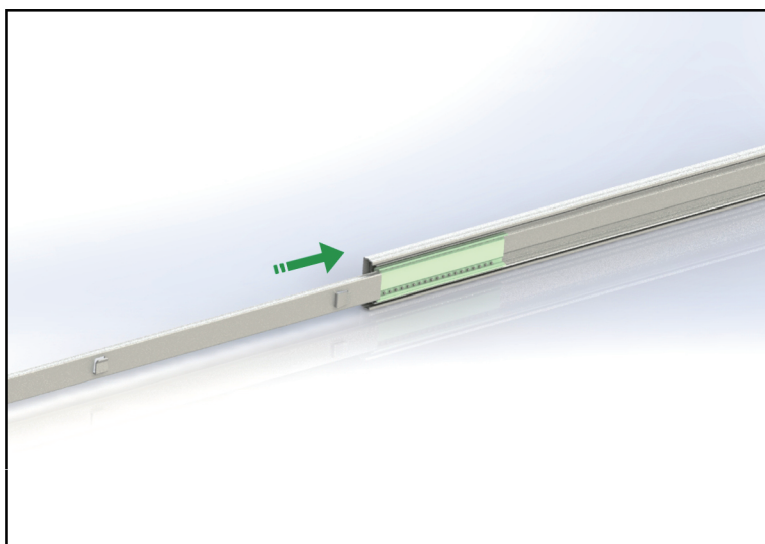
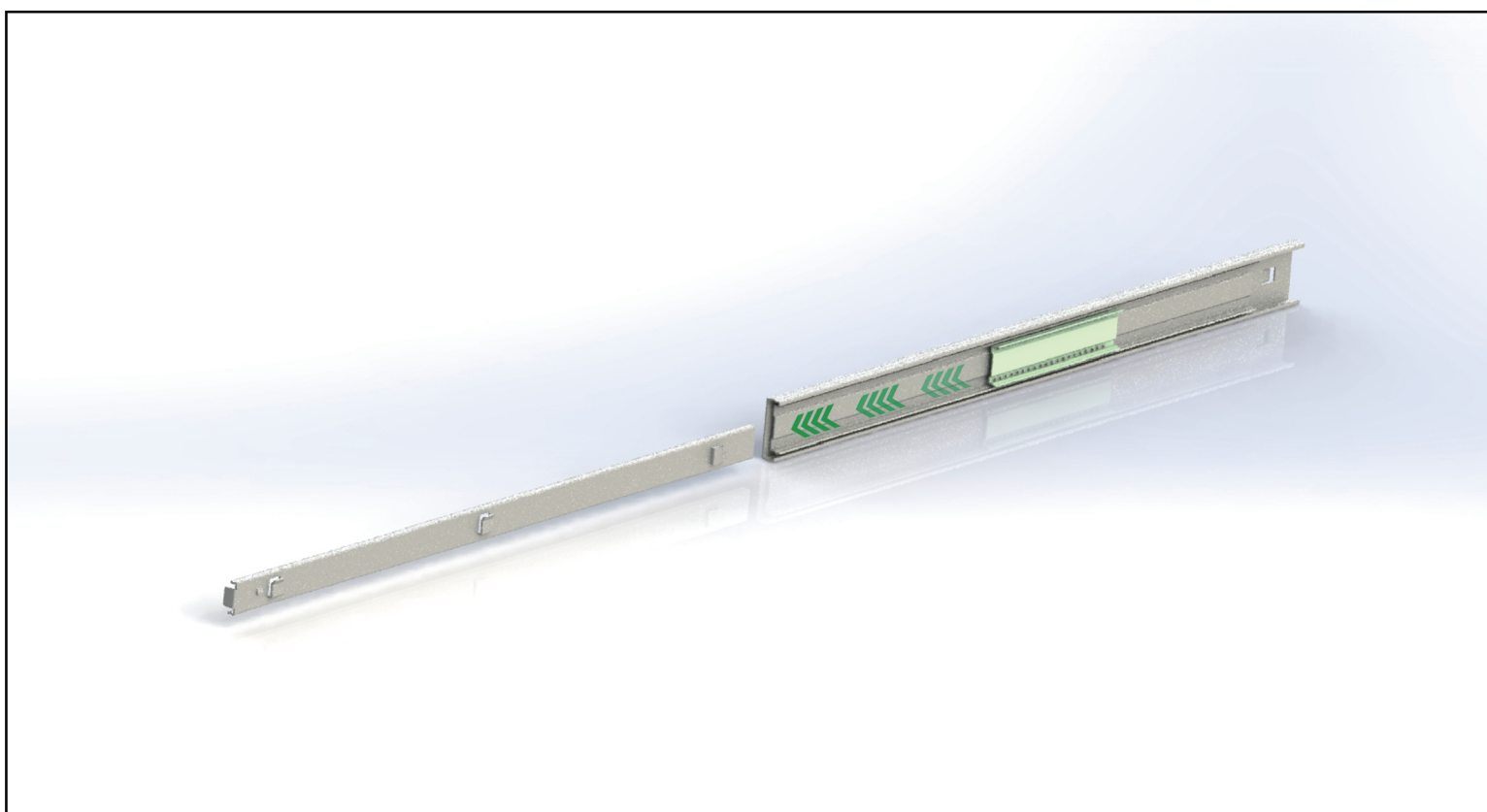
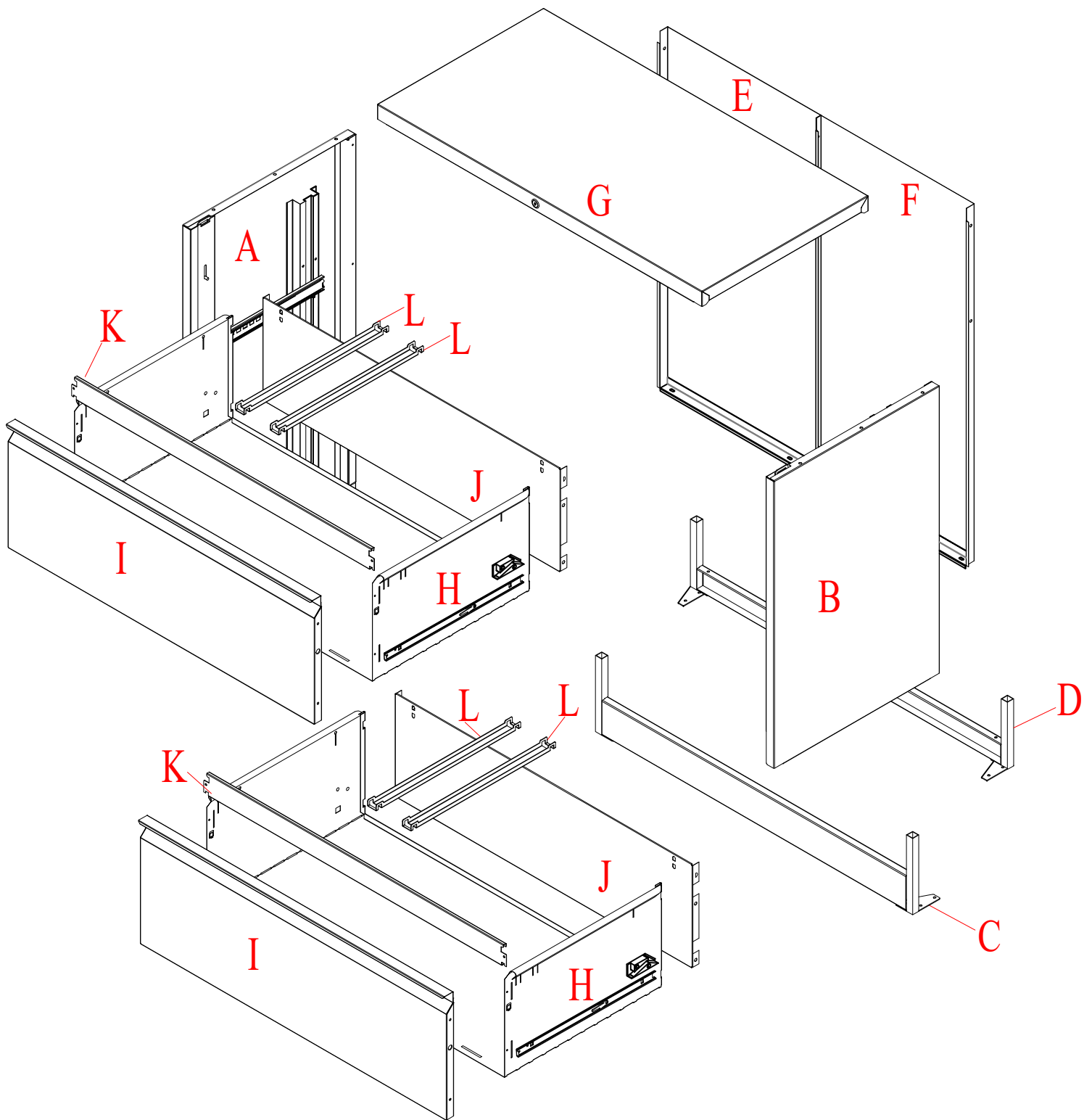


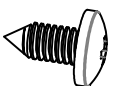
Note:

1. Roll the steel ball of the slide rail on both sides of the side plate to the end of the slide rail
2. Align the inner rails of the drawer slide rail on both sides with the slide rails on the side panels
3. Install the drawer into the slide rail slowly, and pull it back several times after the installation is completed to ensure that the drawer pulls smooth

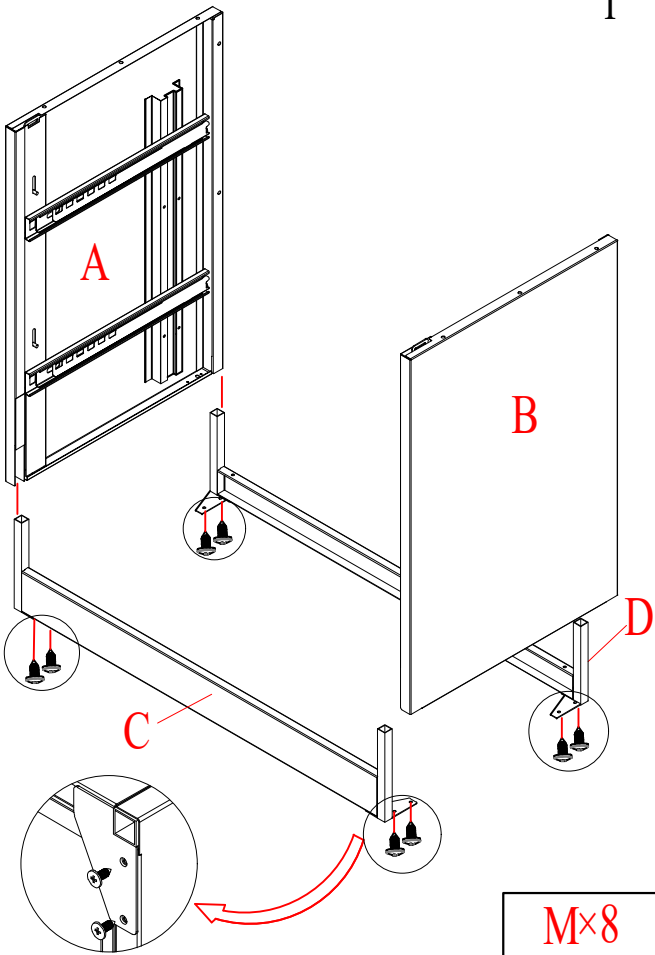




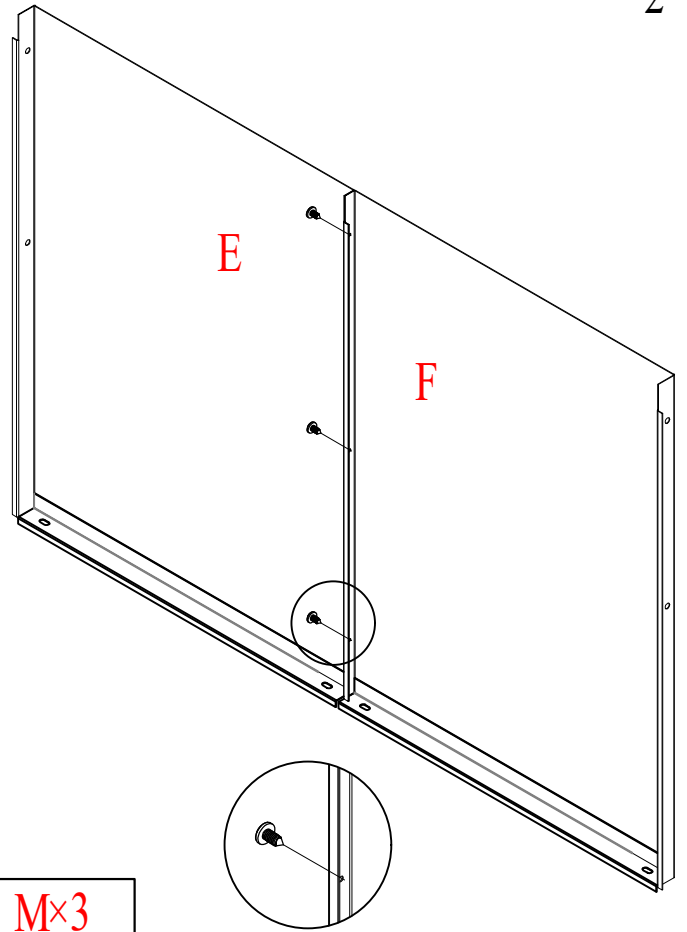
M×33



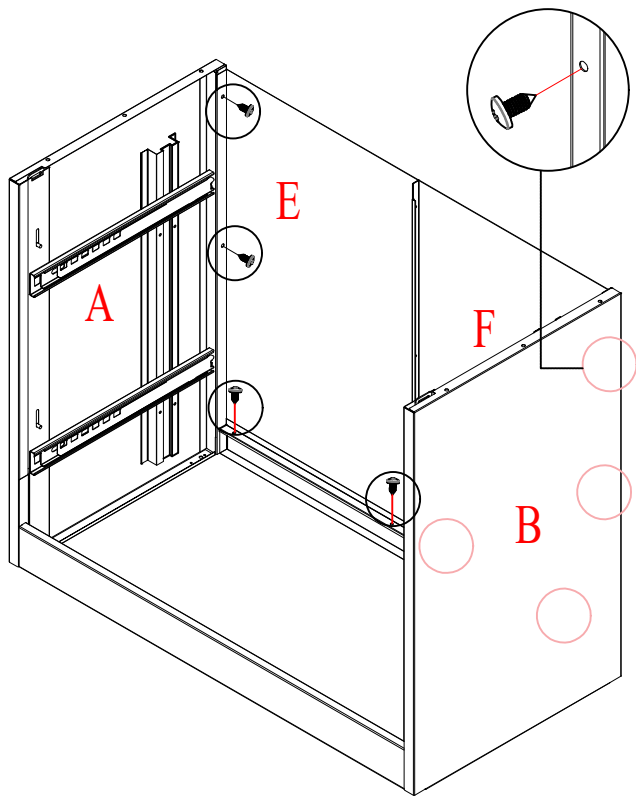
1



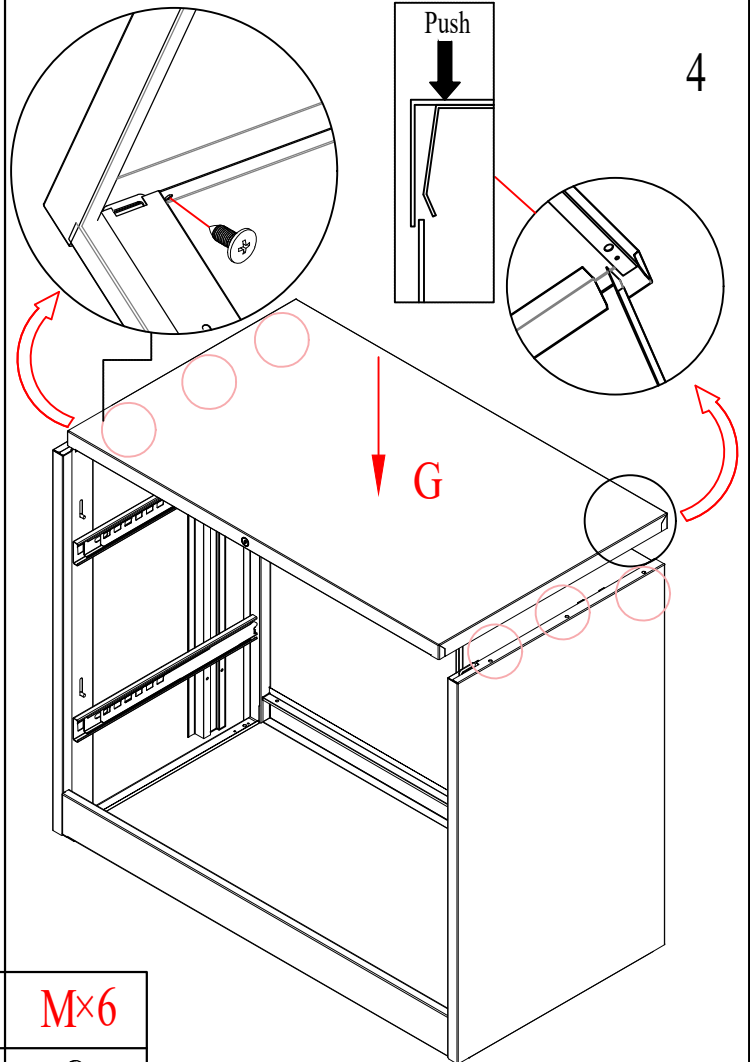
2

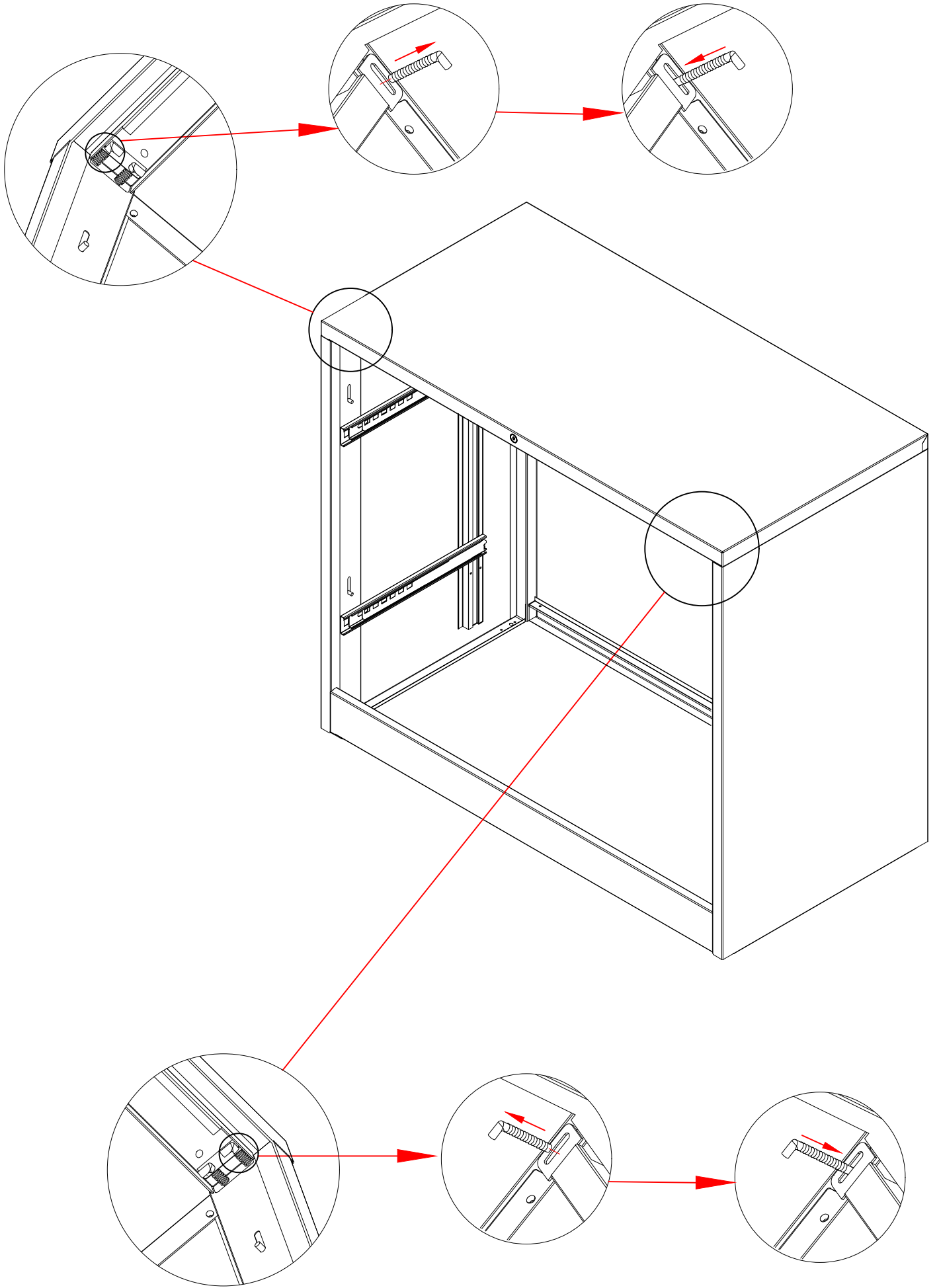


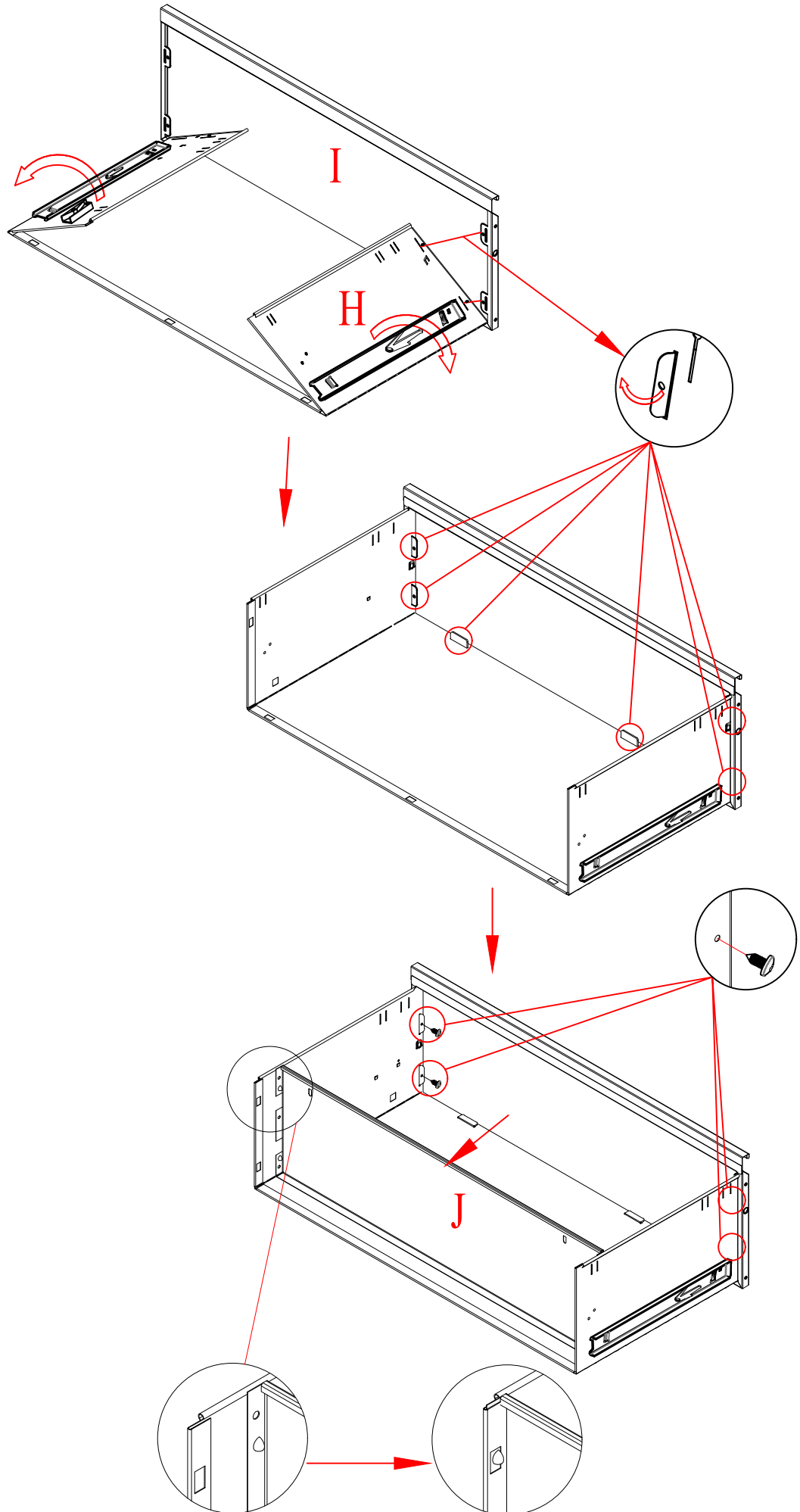
3



4







M×8



First move the ball holder to the front

