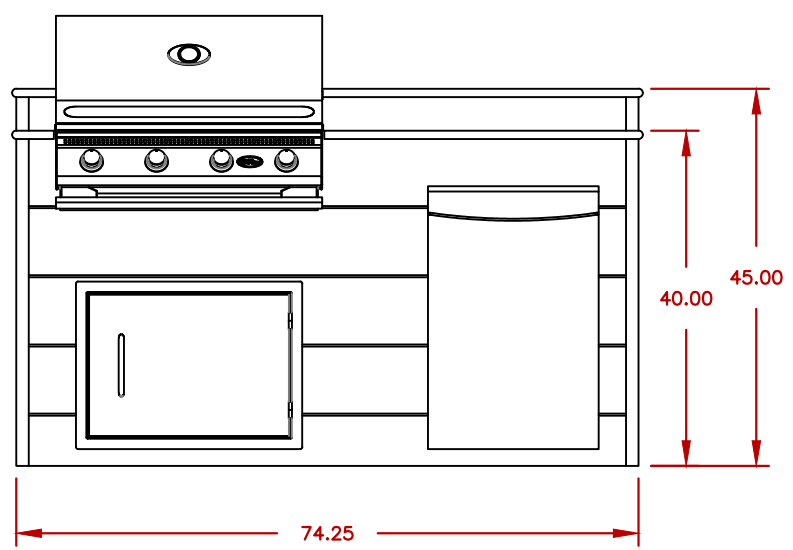
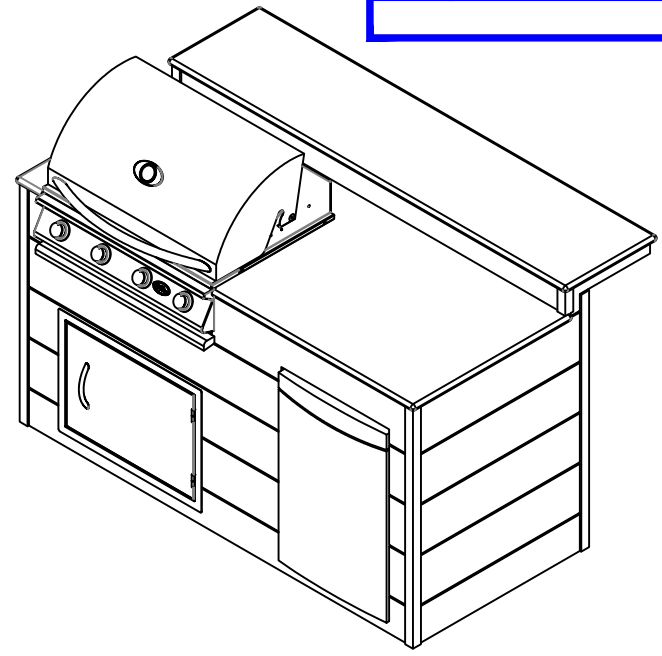
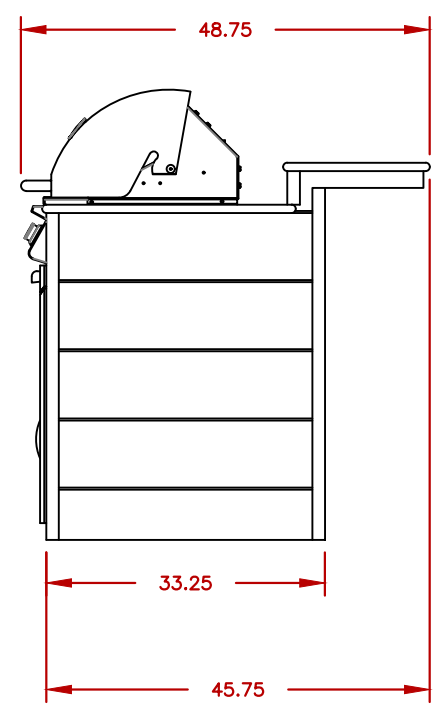


TOP VIEW




FRONT VIEW



SIDE VIEW

STANDARD FEATURES		
QTY.	SYMB.	DESCRIPTION
-	(A)	GRANITE COUNTER TOPS
-	(B)	8-3/4" SIDING
1	(D)	4 BURNER P4 LP
1	(F)	INTERIOR ELECTRICAL
1	(G)	27" HORIZONTAL DOOR
1	(H)	SST REFRIGERATOR

NOTE:
DUE TO OUR CONTINUOUS IMPROVEMENT PROGRAM, ALL MODELS
AND SPECIFICATIONS ARE SUBJECT TO CHANGE WITHOUT NOTICE.

	TITLE	
	2021 BARBECUE LINE PV SERIES 21-E6009X	
SCALE:	DWG NO.	DWG BY
NTS		M ORTEGA
REVISED	REV. DESCR.	DATE
		2/8/2021