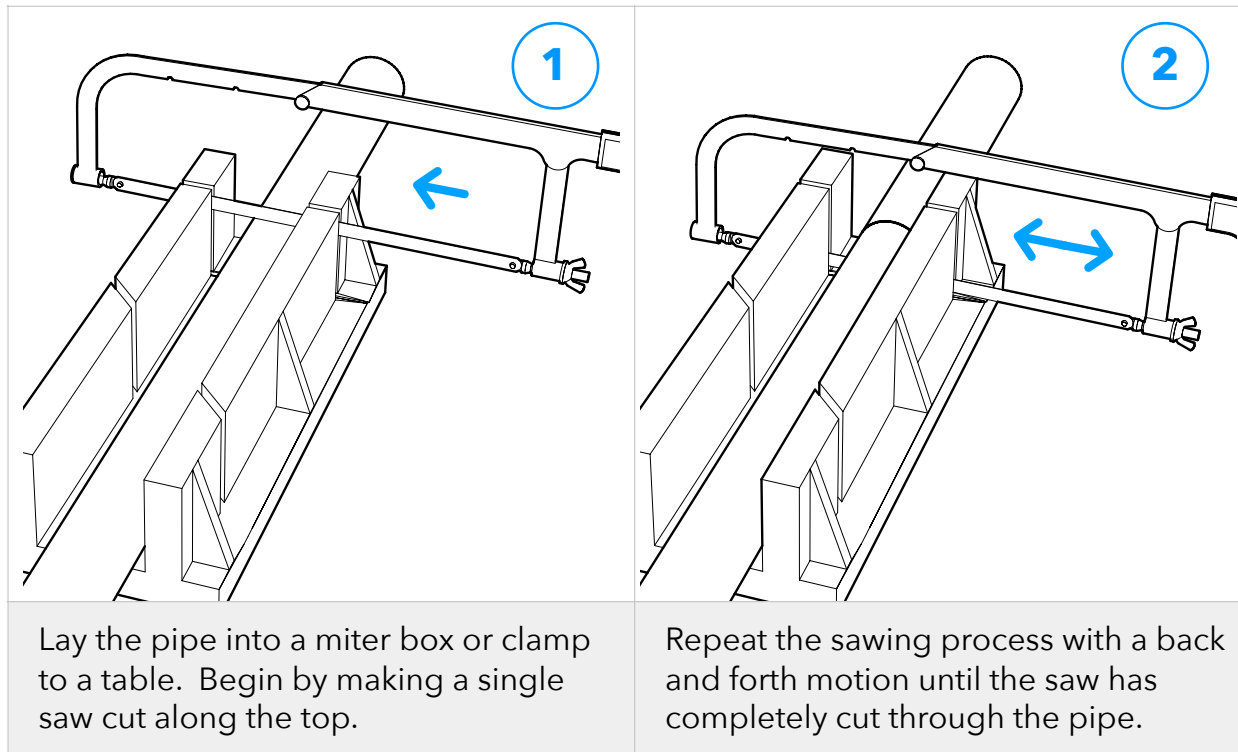


## PRODUCT INSTRUCTIONS

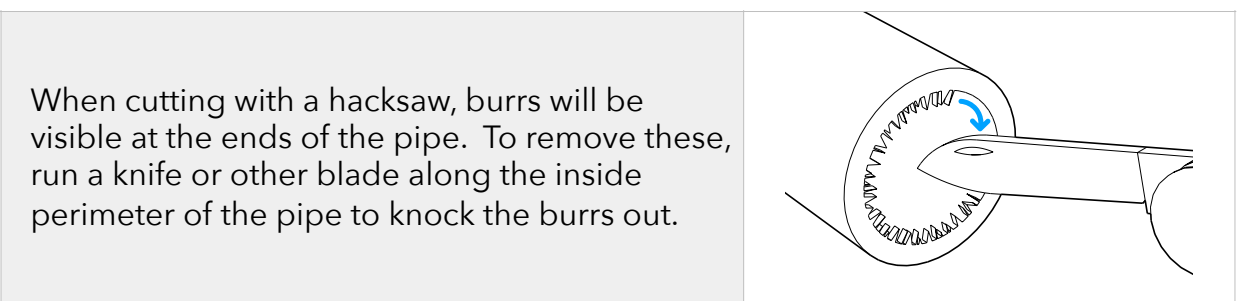
# Structural PVC Pipe

FORMUFIT Structural Grade/Furniture Grade PVC Pipe interconnects PVC fitting and accessory elements to create assemblies and structures. To use this product, follow the instructions shown below.

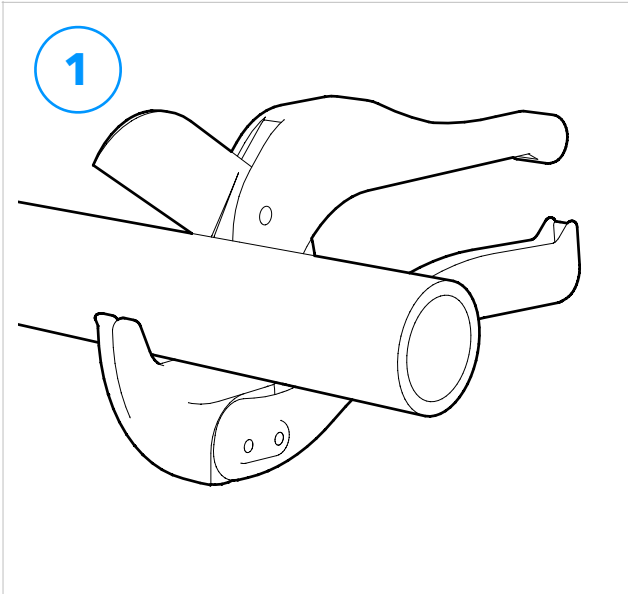
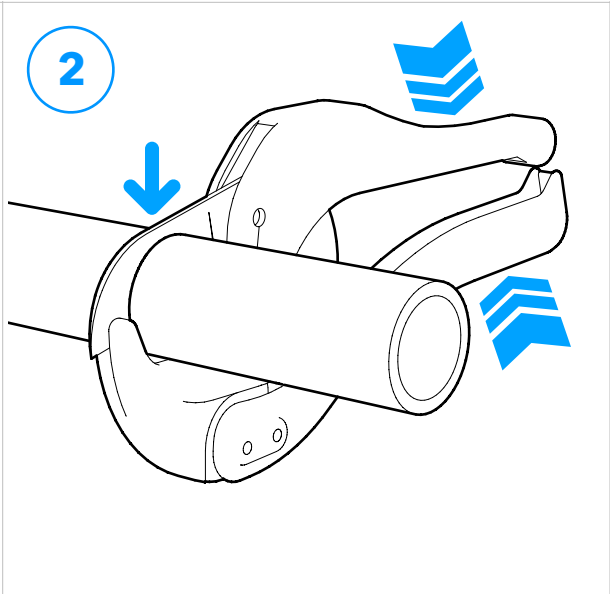
### 1a - Cutting - Hacksaw



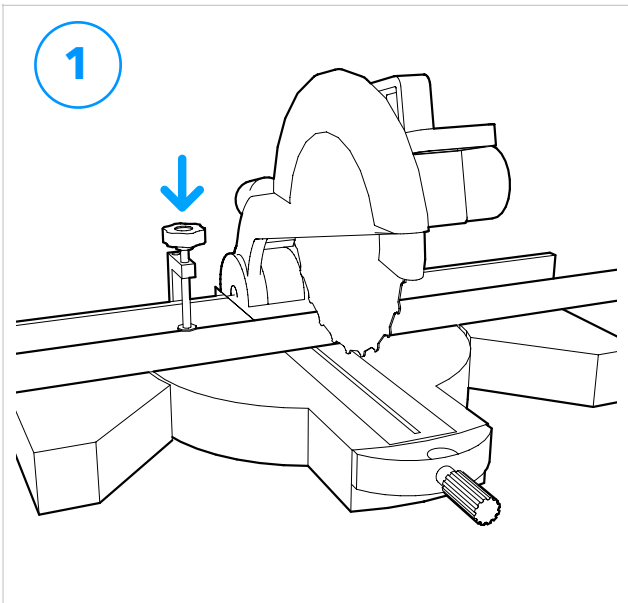
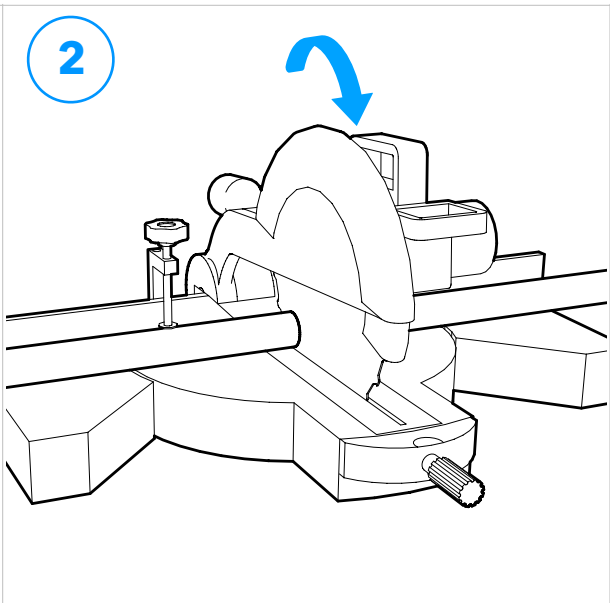
### Removing Burrs



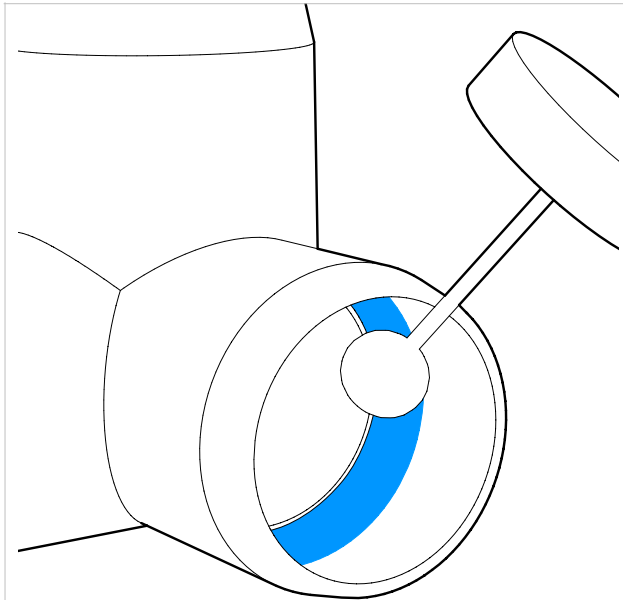
# 1b - Cutting - Ratcheting Pipe Cutter

	
<p>Open the jaws of the plastic pipe cutter and insert the pipe between the blade and cutter body.</p>	<p>Apply force on the handles, allow it to retract, then repeat until through the entire pipe.</p>

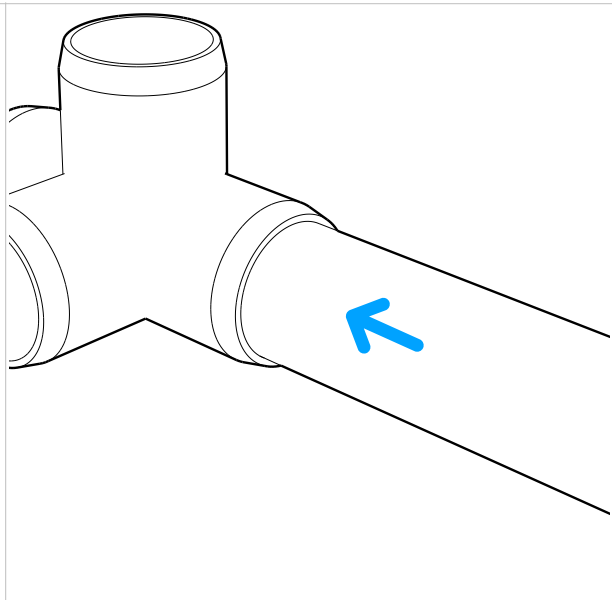
# 1c - Cutting - Power Miter Saw

	
<p>Align the cut point with the saw blade and secure the pipe in place with clamps on the miter saw fence.</p>	<p>Pull the saw trigger and over the saw blade into the pipe until the saw cuts through the entire pipe.</p>

## 2a - Connecting - PVC Cement

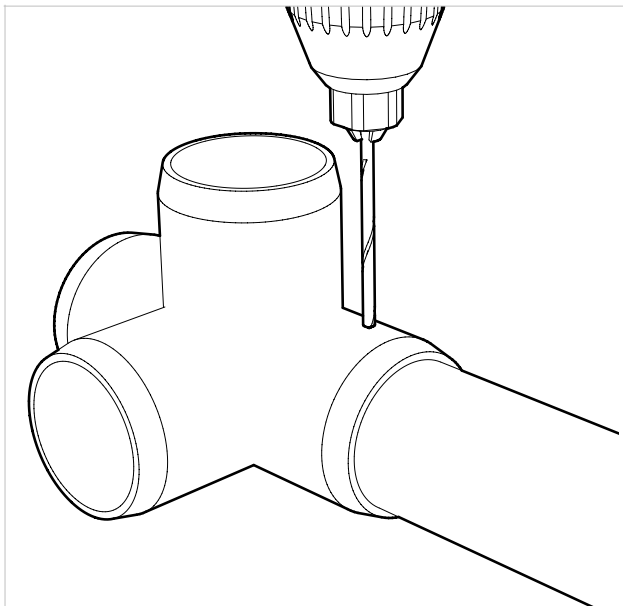


Apply a small amount of PVC cement to the inside of the PVC fitting or accessory, along the detent or stop.

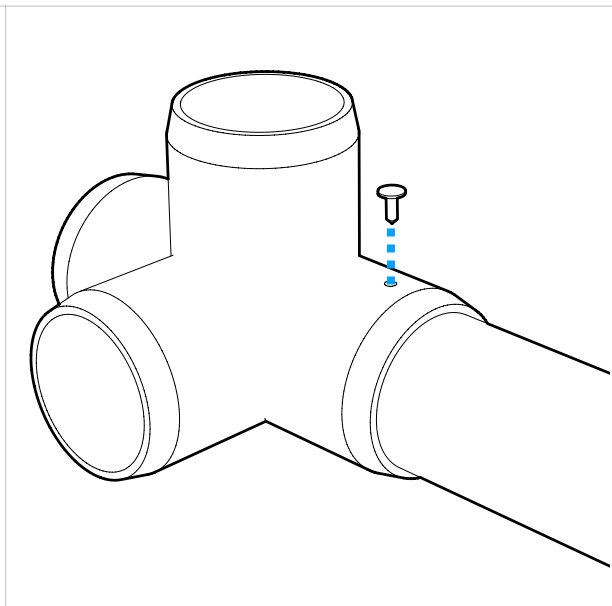


Insert the pipe into the fitting socket and seat fully. PVC cement cures is approximately 30 seconds to 1 minute.

## 2b - Connecting - PipeRivet



Insert the pipe into the fitting. Drill a 1/4" hole on one side of the fitting where the pipe and fitting meet.



Insert or tap into place a PipeRivet through both the fitting and pipe until it is flush with the fitting.

## 2c - Connecting - Screws

