

Cub Cadet®



CC-3040PS

10 cu ft POLY SWIVEL DUMP CART

*PATENT PENDING



**READ AND FOLLOW ALL SAFETY RULES AND OPERATING
INSTRUCTIONS BEFORE USING THIS EQUIPMENT**

Safety Rules



This is the safety alert symbol. It is used to alert you to potential personal injury hazards. Obey all safety messages that follow this symbol to avoid possible injury or death.

Read and understand all safety rules and operating instructions before using this tractor attachment.

Follow all safety rules and operating instructions provided by your vehicle's manufacturer when using attachment.

Never allow children or untrained persons to operate vehicle or attachment.

Do not exceed the vehicle manufacturer's towed weight limit.

Reduce vehicle speed and allow extra stopping distance when towing heavy loads.

Reduce vehicle speed and towed weight when operating on slopes.

Operate up and down slopes, never across the face of slopes.

Do not carry passengers on vehicle or attachment.

Avoid sudden turns or maneuvers.

Do not tow attachment on public roadways.

Do not remove warning decals from product.

Check product for worn, loose, or damaged parts before each use. If any damage is present, repair the product before using.

Check product for loose or missing fasteners before each use. Tighten or replace fasteners as needed before using.

Do not exceed vehicle speed of 6 miles per hour when towing Dump Cart.

Do not exceed Dump Cart rated weight capacity of 600 pounds.

Warranty

If this product fails due to a defect in material or workmanship within THREE YEARS from the date of purchase, we will at our option repair or replace it free of charge. This warranty excludes tires and wheels which are expendable and become worn during normal use.

This warranty does not cover:

- Repairs necessary because of operator abuse or negligence.
- Equipment used for commercial or rental purposes.
- Paint that is worn or faded due to normal use or exposure.

To arrange for product repair visit **ohiosteel.com/partsstore** and fill out the warranty repair form. You can also call 1-800-652-2321 to speak to our Customer Service Team, or return this product to place of purchase for replacement.

This warranty gives you specific legal rights, and you may also have other rights which may vary from state to state. This warranty applies only while this product is in use in the United States.

In the space below record the purchase date of your Lawn Sweeper.

Model Number CC-3040PS

Purchase Date _____

Retailer/Dealer _____

Purchase Price _____

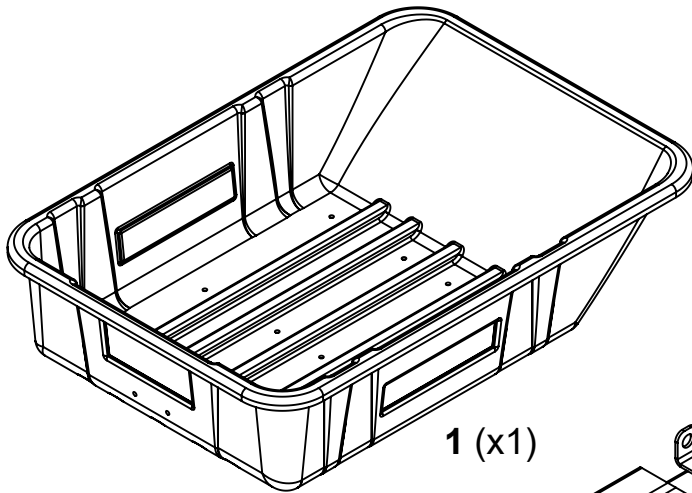
Keep this Owner's Manual and your receipt in a safe place for future reference.

After the three year warranty period all replacement parts may be ordered at **ohiosteel.com/partsstore** or by calling **1-800-652-2321**.

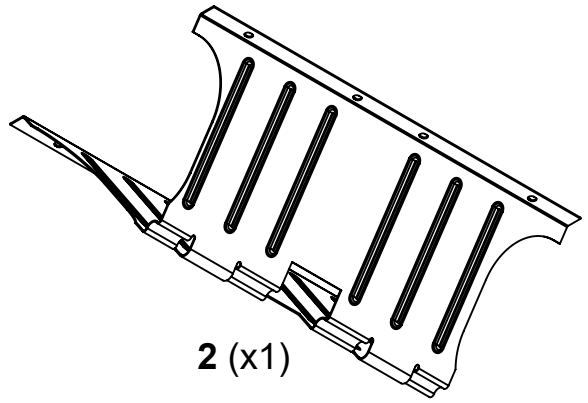
When ordering replacement parts, always give the following information:

- Product 10 cu ft POLY SWIVEL DUMP CART
- Model Number CC-3040PS
- Part Number _____
- Part Description _____

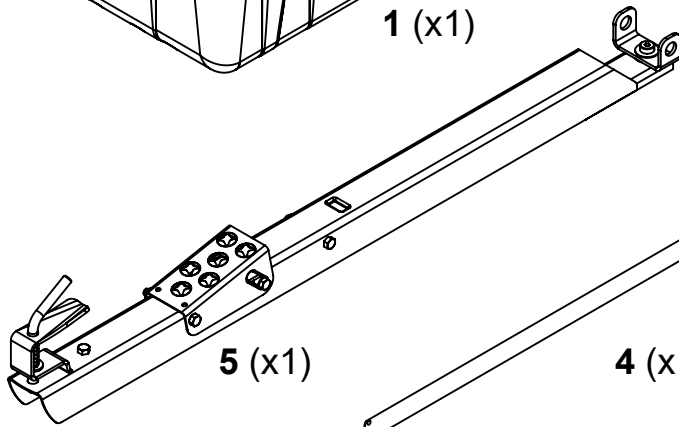
Carton Contents



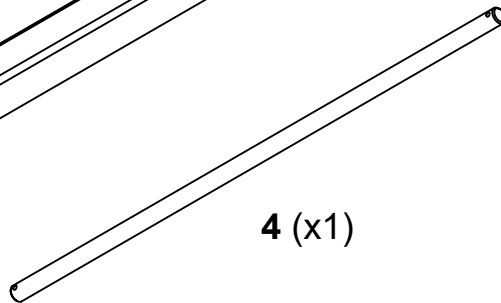
1 (x1)



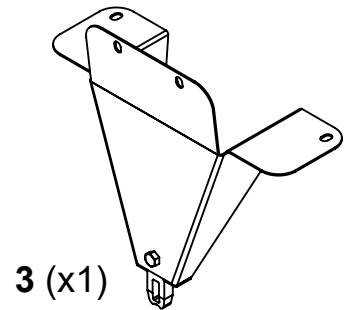
2 (x1)



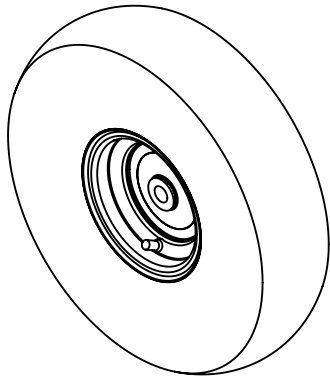
5 (x1)



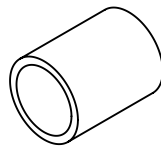
4 (x1)



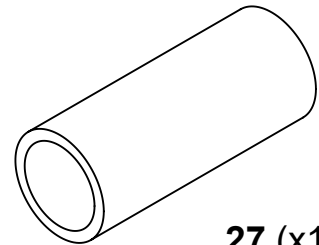
3 (x1)



29 (x2)



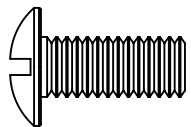
28 (x2)



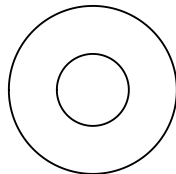
27 (x1)



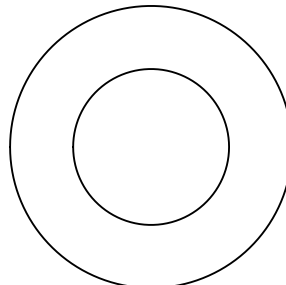
23 (x12)



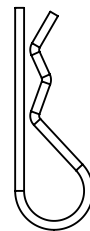
22 (x12)



24 (x12)



25 (x4)



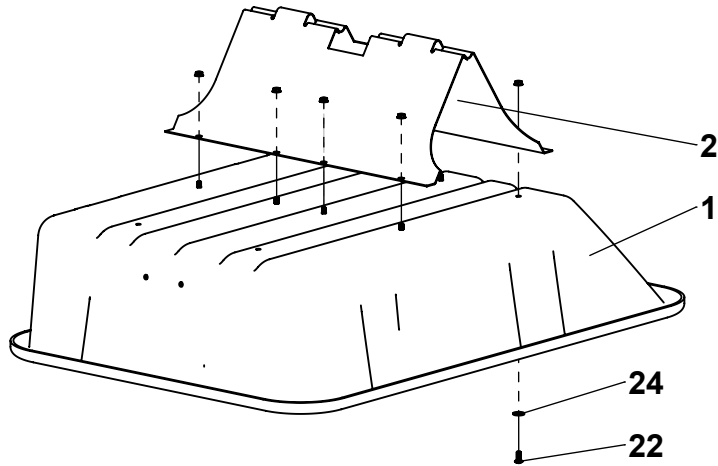
26 (x2)

TOOLS REQUIRED FOR ASSEMBLY:

- 1/2" Wrench or Socket
- Grease Gun
- Large Flat Screwdriver

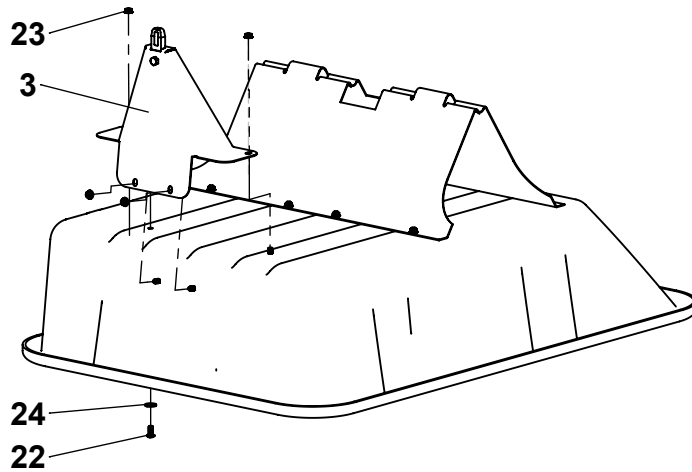
Assembly Instructions

- 1** Attach Undercarriage to Poly Body and tighten with hardware as shown.

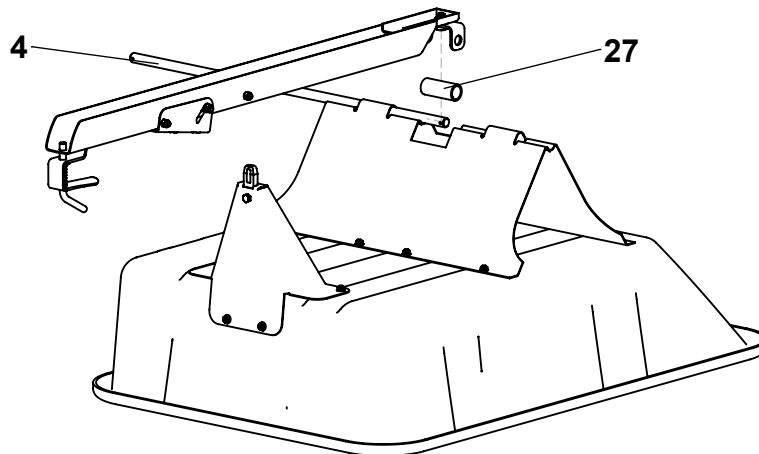


- 2** Attach Front Support loosely to Poly Body as shown.

**DO NOT
TIGHTEN
HARDWARE
AT THIS TIME**



- 3** Insert Axle into Undercarriage halfway as shown. Center Spacer inside Swivel Clevis and align with Axle.

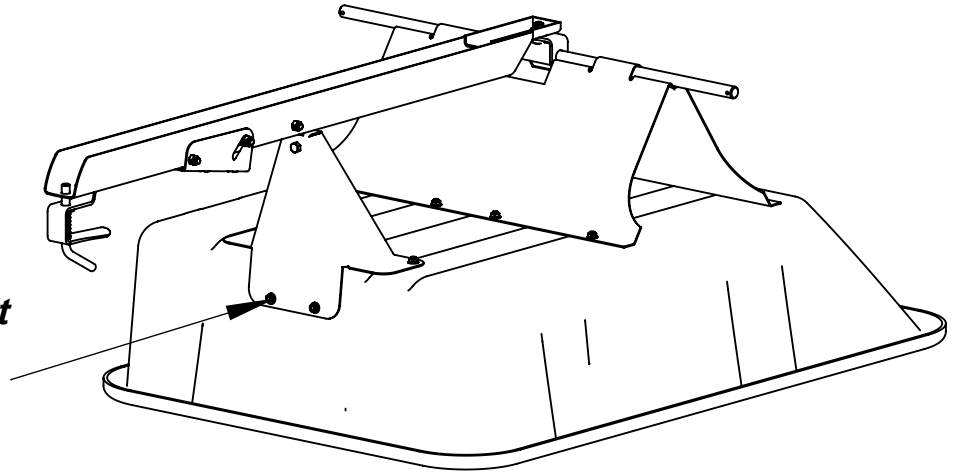


Assembly Instructions

4

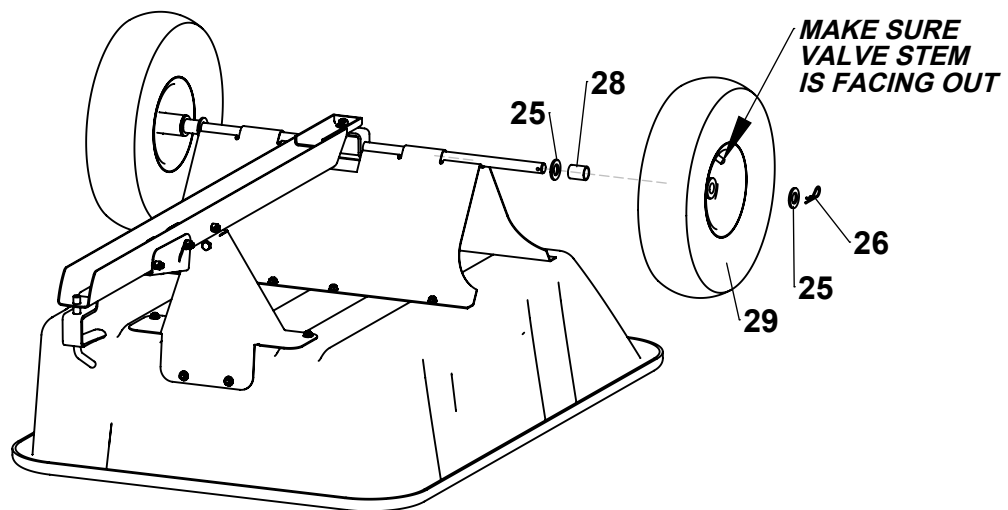
Slide Axle completely through Undercarriage; Swivel Clevis and Spacer must be captured by Axle. Align Drawbar with Front Support and press down to latch.

*Tighten Bolts
on Front Support
after Latching
to Drawbar*



5

Slide Washers and Wheels onto Axle and secure with Hairpins as shown.



Operating Instructions

Before Using Dump Cart:

1. Apply grease to wheels using grease gun until grease can be seen squeezing out from both sides of the wheel.
2. Check tire pressure and inflate to 30 psi if needed.
3. Read all Safety Rules found on page 1.

How to Use Dump Cart:

1. Attach Dump Cart to your tractor using the installed spring loaded hitch pin.
2. Do not exceed 600 pounds when loading material into the cart body.
3. Distribute the weight of the load as evenly as possible in the cart body for best handling.
4. When hauling heavy loads, verify that your vehicle has adequate towing and braking capacity.
5. Do not exceed 6 miles per hour when towing Dump Cart.

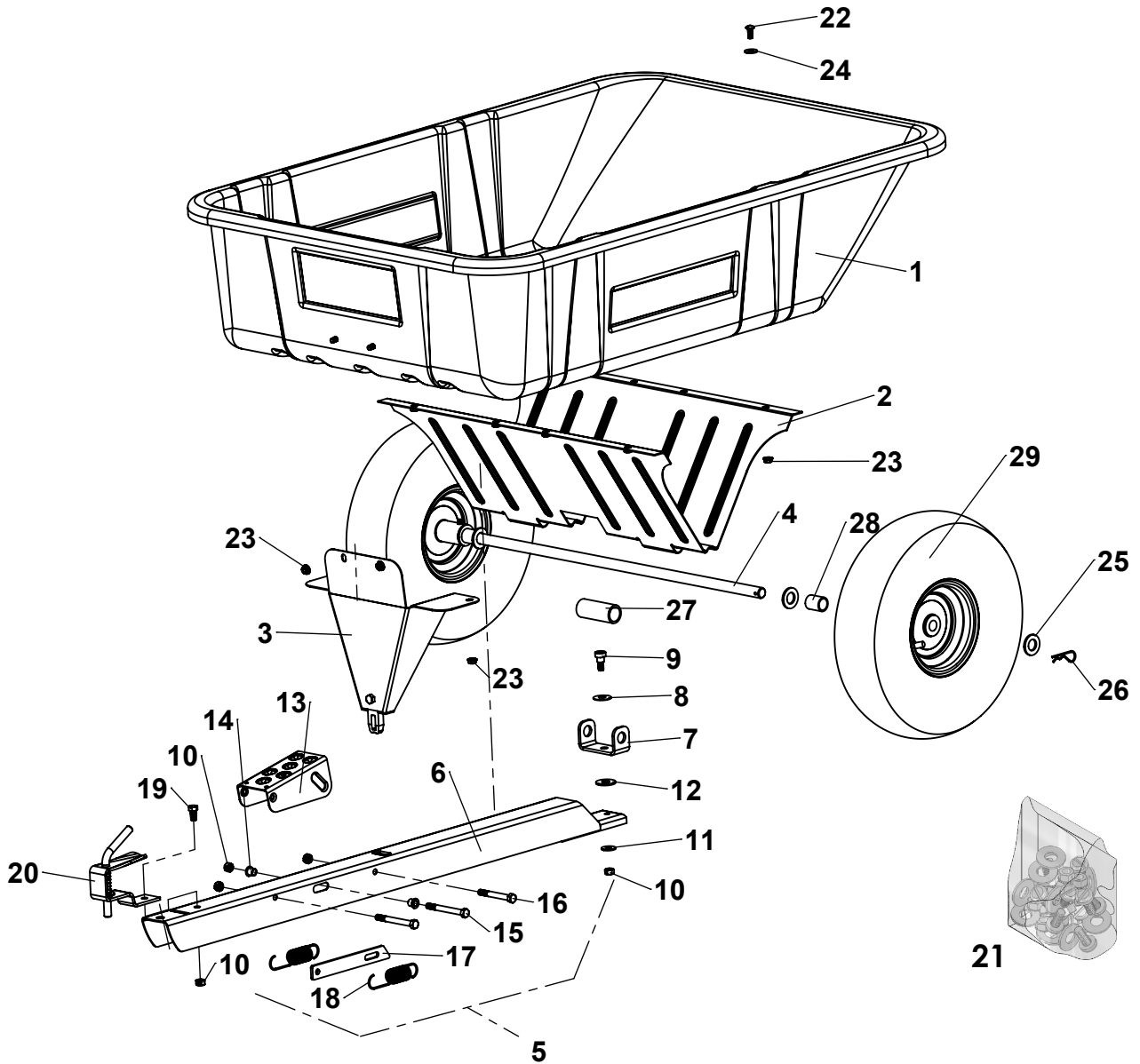
How to Empty Dump Cart:

1. Step down the foot pedal to release the latch mechanism.
2. Lift the body and swivel as desired to guide the material to preferred location.
3. Lift the body entirely and empty material.
4. Lower the body and guide the latch into the drawbar and relatch.

Periodic Maintenance:

- Tighten fasteners as needed before each use
- Check tire pressure before each use
- Grease wheels annually

Repair Parts



ITEM	PART NO	DESCRIPTION	QTY	ITEM	PART NO	DESCRIPTION	QTY
1	6000667	BODY, POLY, 10 CU FT	1	16	300055	HEX BOLT, 3/8-16 X 3"	1
2	411061	UNDERCARRIAGE	1	17	6000309	LATCH	1
3	6000668	FRONT SUPPORT	1	18	6000325	SPRING, LATCH	2
4	300001	AXLE	1	19	300052	HEX BOLT, 3/8-16 X 3/4"	2
5	6002535-BY	DRAWBAR ASSEMBLY (incl 10-20)	1	20	6000612	SPRING LOADED HITCH PIN	1
6	6000383	DRAWBAR, WELDED	1	21	6003362	HARDWARE, BOLT BAG	1
7	6000548	CLEVIS, SWIVEL	1	22	300054	SLOTTED TRUSS BOLT, 5/16-18 X 3/4"	12
8	6000368	WASHER, SPRING	1	23	6000418	SPINNER GRIP NUT, 5/16-18	12
9	6000369	SHOULDER BOLT, 1/2" X 3/8"	1	24	3000711	WASHER, 5/16" USS	12
10	300061	HEX NUT, 3/8-16 C-LOCK	6	25	3000721	WASHER, 3/4" SAE	4
11	3000720	WASHER, 3/8" USS	1	26	300084	HAIRPIN COTTER	2
12	300075	WASHER, 1/2" USS	1	27	6000463	SPACER, 1" X 3.125"	1
13	6000305-Y	FOOT PEDAL	1	28	6000105	SPACER, 3/4" X 1.250	2
14	6000324	BUSHING	2	29	6002415-C	WHEEL (incl bushings)	2
15	6000370	HEX BOLT, 3/8-16 X 3-1/2"	2	-	6000809	KIT, 3/4" WHEEL BUSHINGS	-

Notes

Designed And Tested In Columbus, Ohio
Manufactured In The U.S.A. From Domestic
And Imported Components



MODEL # CC-3040PS

(800) 652-2321

(800) 652-2321