

If you have questions or comments, contact us.
Pour toute question ou tout commentaire, nous contacter.
Si tiene dudas o comentarios, contáctenos.

1-800-4-DEWALT • www.dewalt.com

INSTRUCTIVO DE OPERACIÓN, CENTROS DE SERVICIO Y PÓLIZA DE GARANTÍA. ADVERTENCIA: LEÁSE ESTE INSTRUCTIVO ANTES DE USAR EL PRODUCTO.

INSTRUCTION MANUAL
GUIDE D'UTILISATION
MANUAL DE INSTRUCCIONES

DEWALT®

DWE4887, DWE4887N, DW888

Die Grinders
Meules à rectifier les matrices
Esmeriladoras de troquel

DEWALT Industrial Tool Co., 701 East Joppa Road, Baltimore, MD 21286
(FEB14) Part No. N279291 DWE4887, DWE4887N, DW888
Copyright © 2002, 2004, 2005, 2007, 2011, 2013, 2014 DeWALT

The following are trademarks for one or more DEWALT power tools: the yellow and black color scheme; the "D" shaped air intake grill; the array of pyramids on the handgrip; the kit box configuration; and the array of lozenge-shaped humps on the surface of the tool.

Definitions: Safety Guidelines

The definitions below describe the level of severity for each signal word. Please read the manual and pay attention to these symbols.

▲ DANGER: Indicates an imminently hazardous situation which, if not avoided, will result in **death or serious injury**.

▲ WARNING: Indicates a potentially hazardous situation which, if not avoided, could result in **death or serious injury**.

▲ CAUTION: Indicates a potentially hazardous situation which, if not avoided, may result in **minor or moderate injury**.

NOTICE: Indicates a practice **not related to personal injury** which, if not avoided, may result in **property damage**.

IF YOU HAVE ANY QUESTIONS OR COMMENTS ABOUT THIS OR ANY DEWALT TOOL, CALL US TOLL FREE AT: **1-800-4-DEWALT (1-800-433-9258)**.



WARNING: To reduce the risk of injury, read the instruction manual.

General Power Tool Safety Warnings



WARNING! Read all safety warnings and all instructions. Failure to follow the warnings and instructions may result in electric shock, fire and/or serious injury.

SAVE ALL WARNINGS AND INSTRUCTIONS FOR FUTURE REFERENCE

The term "power tool" in the warnings refers to your mains-operated (corded) power tool or battery-operated (cordless) power tool.

1) WORK AREA SAFETY

- Keep work area clean and well lit.** Cluttered or dark areas invite accidents.
- Do not operate power tools in explosive atmospheres, such as in the presence of flammable liquids, gases or dust.** Power tools create sparks which may ignite the dust or fumes.
- Keep children and bystanders away while operating a power tool.** Distractions can cause you to lose control.

2) ELECTRICAL SAFETY

- Power tool plugs must match the outlet. Never modify the plug in any way. Do not use any adapter plugs with earthed (grounded) power tools.** Unmodified plugs and matching outlets will reduce risk of electric shock.
- Avoid body contact with earthed or grounded surfaces such as pipes, radiators, ranges and refrigerators.** There is an increased risk of electric shock if your body is earthed or grounded.
- Do not expose power tools to rain or wet conditions.** Water entering a power tool will increase the risk of electric shock.
- Do not abuse the cord. Never use the cord for carrying, pulling or unplugging the power tool. Keep cord away from heat, oil, sharp edges or moving parts.** Damaged or entangled cords increase the risk of electric shock.
- When operating a power tool outdoors, use an extension cord suitable for outdoor use.** Use of a cord suitable for outdoor use reduces the risk of electric shock.
- If operating a power tool in a damp location is unavoidable, use a ground fault circuit interrupter (GFCI) protected supply.** Use of a GFCI reduces the risk of electric shock.

3) PERSONAL SAFETY

- Stay alert, watch what you are doing and use common sense when operating a power tool. Do not use a power tool while you are tired or under the influence of drugs, alcohol or medication.** A moment of inattention while operating power tools may result in serious personal injury.
- Use personal protective equipment. Always wear eye protection.** Protective equipment such as dust mask, non-skid safety shoes, hard hat, or hearing protection used for appropriate conditions will reduce personal injuries.
- Prevent unintentional starting. Ensure the switch is in the off position before connecting to power source and/or battery pack, picking up or carrying the tool.** Carrying power tools with your finger on the switch or energizing power tools that have the switch on invites accidents.
- Remove any adjusting key or wrench before turning the power tool on.** A wrench or a key left attached to a rotating part of the power tool may result in personal injury.
- Do not overreach. Keep proper footing and balance at all times.** This enables better control of the power tool in unexpected situations.
- Dress properly. Do not wear loose clothing or jewelry. Keep your hair, clothing and gloves away from moving parts.** Loose clothes, jewelry or long hair can be caught in moving parts.
- If devices are provided for the connection of dust extraction and collection facilities, ensure these are connected and properly used.** Use of dust collection can reduce dust-related hazards.

4) POWER TOOL USE AND CARE

- Do not force the power tool. Use the correct power tool for your application.** The correct power tool will do the job better and safer at the rate for which it was designed.
- Do not use the power tool if the switch does not turn it on and off.** Any power tool that cannot be controlled with the switch is dangerous and must be repaired.
- Disconnect the plug from the power source and/or the battery pack from the power tool before making any adjustments, changing accessories, or storing power tools.** Such preventive safety measures reduce the risk of starting the power tool accidentally.
- Store idle power tools out of the reach of children and do not allow persons unfamiliar with the power tool or these instructions to operate the power tool.** Power tools are dangerous in the hands of untrained users.

- Maintain power tools. Check for misalignment or binding of moving parts, breakage of parts and any other condition that may affect the power tool's operation. If damaged, have the power tool repaired before use.** Many accidents are caused by poorly maintained power tools.
- Keep cutting tools sharp and clean.** Properly maintained cutting tools with sharp cutting edges are less likely to bind and are easier to control.
- Use the power tool, accessories and tool bits, etc. in accordance with these instructions, taking into account the working conditions and the work to be performed.** Use of the power tool for operations different from those intended could result in a hazardous situation.

5) SERVICE

- Have your power tool serviced by a qualified repair person using only identical replacement parts.** This will ensure that the safety of the power tool is maintained.

SAFETY INSTRUCTIONS FOR ALL OPERATIONS

Safety Warnings Common for Grinding, Sanding, Polishing, Carving or Abrasive Cutting-Off Operations

- This power tool is intended to function as a grinder, sander, polisher, carving or cut-off tool. Read all safety warnings, instructions, illustrations and specifications provided with this power tool.** Failure to follow all instructions listed below may result in electric shock, fire and/or serious injury.
- Operations such as wire brushing are not recommended to be performed with this power tool.** Operations for which the power tool was not designed may create a hazard and cause personal injury.
- Do not use accessories which are not specifically designed and recommended by the tool manufacturer.** Just because the accessory can be attached to your power tool, it does not assure safe operation.
- The rated speed of the accessories must be at least equal to the maximum speed marked on the power tool.** Accessories running faster than their rated speed can break and fly apart.
- The outside diameter and the thickness of your accessory must be within the capacity rating of your power tool.** Incorrectly sized accessories cannot be adequately guarded or controlled.
- The arbor size of wheels, sanding drums or any other accessory must properly fit the spindle or collet of the power tool.** Accessories that do not match the mounting hardware of the power tool will run out of balance, vibrate excessively and may cause loss of control.
- Mandrel mounted wheels, sanding drums, cutters or other accessories must be fully inserted into the collet or chuck.** If the mandrel is insufficiently held and/or the overhang of the wheel is too long, the mounted wheel may become loose and be ejected at high velocity.
- Do not use a damaged accessory. Before each use, inspect the accessory such as abrasive wheels for chips and cracks, sanding drum for cracks, tear or excess wear, wire brush for loose or cracked wires. If power tool or accessory is dropped, inspect for damage or install an undamaged accessory. After inspecting and installing an accessory, position yourself and bystanders away from the plane of the rotating accessory and run the power tool at maximum no-load speed for one minute.** Damaged accessories will normally break apart during this test time.
- Wear personal protective equipment. Depending on application, use face shield, safety goggles or safety glasses. As appropriate, wear dust mask, hearing protectors, gloves and workshop apron capable of stopping small abrasive or workpiece fragments.** The eye protection must be capable of stopping flying debris generated by various operations. The dust mask or respirator must be capable of filtering particles generated by your operation. Prolonged exposure to high intensity noise may cause hearing loss.
- Keep bystanders a safe distance away from work area. Anyone entering the work area must wear personal protective equipment.** Fragments of workpiece or of a broken accessory may fly away and cause injury beyond immediate area of operation.
- Hold power tool by insulated gripping surfaces only, when performing an operation where the cutting accessory may contact hidden wiring or its own cord.** Cutting accessory contacting a "live" wire may make exposed metal parts of the power tool "live" and could give the operator an electric shock.
- Always hold the tool firmly in your hand(s) during the start-up.** The reaction torque of the motor, as it accelerates to full speed, can cause the tool to twist.
- Use clamps to support workpiece whenever practical. Never hold a small workpiece in one hand and the tool in the other hand while in use.** Clamping a small workpiece allows you to use your hand(s) to control the tool. Round material such as dowel rods, pipes or tubing have a tendency to roll while being cut, and may cause the bit to bind or jump toward you.
- Position the cord clear of the spinning accessory.** If you lose control, the cord may be cut or snagged and your hand or arm may be pulled into the spinning accessory.
- Never lay the power tool down until the accessory has come to a complete stop.** The spinning accessory may grab the surface and pull the power tool out of your control.
- After changing the bits or making any adjustments, make sure the collet nut, chuck or any other adjustment devices are securely tightened.** Loose adjustment devices can unexpectedly shift, causing loss of control, loose rotating components will be violently thrown.
- Do not run the power tool while carrying it at your side.** Accidental contact with the spinning accessory could snag your clothing, pulling the accessory into your body.
- Regularly clean the power tool's air vents.** The motor's fan will draw the dust inside the housing and excessive accumulation of powdered metal may cause electrical hazards.
- Do not operate the power tool near flammable materials.** Sparks could ignite these materials.
- Do not use accessories that require liquid coolants.** Using water or other liquid coolants may result in electrocution or shock.

FURTHER SAFETY INSTRUCTIONS FOR ALL OPERATIONS

Kickback and Related Warnings

Kickback is a sudden reaction to a pinched or snagged rotating wheel, sanding pad, brush or any other accessory. Pinching or snagging causes rapid stalling of the rotating accessory which in turn causes the uncontrolled power tool to be forced in the direction opposite of the accessory's rotation.

For example, if an abrasive wheel is snagged or pinched by the workpiece, the edge of the wheel that is entering into the pinch point can dig into the surface of the material causing the wheel to climb out or kick out. The wheel may either jump toward or away from the operator, depending on direction of the wheel's movement at the point of pinching. Abrasive wheels may also break under these conditions.

Kickback is the result of tool misuse and/or incorrect operating procedures or conditions and can be avoided by taking proper precautions as given below:

- Maintain a firm grip on the power tool and position your body and arm to allow you to resist kickback forces.** The operator can control kickback forces, if proper precautions are taken.
- Use special care when working corners, sharp edges etc. Avoid bouncing and snagging the accessory.** Corners, sharp edges or bouncing have a tendency to snag the rotating accessory and cause loss of control or kickback.
- Do not attach a toothed saw blade.** Such blades create frequent kickback and loss of control.
- Always feed the bit into the material in the same direction as the cutting edge is exiting from the material (which is the same direction as the chips are thrown).** Feeding the tool in the wrong direction causes the cutting edge of the bit to climb out of the work and pull the tool in the direction of this feed.
- When using rotary files, cut-off wheels, high-speed cutters or tungsten carbide cutters, always have the work securely clamped.** These wheels will grab if they become slightly canted in the groove, and can kickback. When a cut-off wheel grabs, the wheel itself usually breaks. When a rotary file, high-speed cutter or tungsten carbide cutter grabs, it may jump from the groove and you could lose control of the tool.

Safety Warnings Specific for Grinding and Abrasive Cutting-Off Operations

- Use only wheel types that are recommended for your power tool and only for recommended applications. For example: do not grind with the side of a cut-off wheel.** Abrasive cut-off wheels are intended for peripheral grinding, side forces applied to these wheels may cause them to shatter.
- For threaded abrasive cones and plugs use only undamaged wheel mandrels with an unrelieved shoulder flange that are of correct size and length.** Proper mandrels will reduce the possibility of breakage.
- Do not "jam" the cut-off wheel or apply excessive pressure. Do not attempt to make an excessive depth of cut.** Overstressing the wheel increases the loading and susceptibility to twisting or snagging of the wheel in the cut and the possibility of kickback or wheel breakage.
- Do not position your hand in line with and behind the rotating wheel.** When the wheel, at the point of operation, is moving away from your hand, the possible kickback may propel the spinning wheel and the power tool directly at you.
- When wheel is pinched, snagged or when interrupting a cut for any reason, switch off the power tool and hold the power tool motionless until the wheel comes to a complete stop. Never attempt to remove the cut-off wheel from the cut while the wheel is in motion, otherwise kickback may occur.** Investigate and take corrective action to eliminate the cause of wheel binding.
- Do not restart the cutting operation in the workpiece. Let the wheel reach full speed and carefully reenter the cut.** The wheel may bind, walk up or kickback if the power tool is restarted in the workpiece.
- Support panels or any oversized workpiece to minimize the risk of wheel pinching and kickback.** Large workpieces tend to sag under their own weight. Supports must be placed under the workpiece near the line of cut and near the edge of the workpiece on both sides of the wheel.

- h) **Use extra caution when making a “pocket cut” into existing walls or other blind areas.** The protruding wheel may cut gas or water pipes, electrical wiring or objects that can cause kickback.

Additional Safety Information

- **Do not use Type 11 (flaring cup) wheels on this tool.** Using inappropriate accessories can result in injury.
- **Air vents often cover moving parts and should be avoided.** Loose clothes, jewelry or long hair can be caught in moving parts.
- **An extension cord must have adequate wire size (AWG or American Wire Gauge) for safety.** The smaller the gauge number of the wire, the greater the capacity of the cable, that is 16 gauge has more capacity than 18 gauge. An undersized cord will cause a drop in line voltage resulting in loss of power and overheating. When using more than one extension to make up the total length, be sure each individual extension contains at least the minimum wire size. The following table shows the correct size to use depending on cord length and nameplate ampere rating. If in doubt, use the next heavier gauge. The smaller the gauge number, the heavier the cord.

Ampere Rating		Minimum Gauge for Cord Sets				
		Volts	Total Length of Cord in Feet (meters)			
		120V	25 (7.6)	50 (15.2)	100 (30.5)	150 (45.7)
		240V	50 (15.2)	100 (30.5)	200 (61.0)	300 (91.4)
More Than	Not More Than	AWG				
0	6		18	16	16	14
6	10		18	16	14	12
10	12		16	16	14	12
12	16		14	12	Not Recommended	

▲ WARNING: ALWAYS use safety glasses. Everyday eyeglasses are NOT safety glasses. Also use face or dust mask if cutting operation is dusty. ALWAYS WEAR CERTIFIED SAFETY EQUIPMENT:

- ANSI Z87.1 eye protection (CAN/CSA Z94.3),
- ANSI S12.6 (S3.19) hearing protection,
- NIOSH/OSHA/MSHA respiratory protection.

▲ WARNING: Some dust created by power sanding, sawing, grinding, drilling, and other construction activities contains chemicals known to the State of California to cause cancer, birth defects or other reproductive harm. Some examples of these chemicals are:

- lead from lead-based paints,
- crystalline silica from bricks and cement and other masonry products, and
- arsenic and chromium from chemically-treated lumber.

Your risk from these exposures varies, depending on how often you do this type of work. To reduce your exposure to these chemicals: work in a well ventilated area, and work with approved safety equipment, such as those dust masks that are specially designed to filter out microscopic particles.

- **Avoid prolonged contact with dust from power sanding, sawing, grinding, drilling, and other construction activities. Wear protective clothing and wash exposed areas with soap and water.** Allowing dust to get into your mouth, eyes, or lay on the skin may promote absorption of harmful chemicals.

▲ WARNING: Use of this tool can generate and/or disperse dust, which may cause serious and permanent respiratory or other injury. Always use NIOSH/OSHA approved respiratory protection appropriate for the dust exposure. Direct particles away from face and body.

▲ WARNING: Always wear proper personal hearing protection that conforms to ANSI S12.6 (S3.19) during use. Under some conditions and duration of use, noise from this product may contribute to hearing loss.

▲ WARNING: Always use eye protection. All users and bystanders must wear eye protection that conforms to ANSI Z87.1.

▲ WARNING: When not in use, place grinder on a stable surface where it will not move inadvertently, roll or cause a tripping or falling hazard. Serious personal injury may result.

▲ CAUTION: To reduce the risk of personal injury, use extra care when working into a corner or edge because a sudden, sharp movement of the tool may be experienced when the wheel or other accessory contacts a secondary surface or a surface edge.

- The label on your tool may include the following symbols. The symbols and their definitions are as follows:

V.....volts	A.....amperes
Hz.....hertz	W.....watts
minminutes	~ or AC.....alternating current
== or DC.....direct current	⎓ or AC/DC.....alternating or direct current
Ⓛ.....Class I Construction (grounded)	no.....no load speed
Ⓜ.....Class II Construction (double insulated)	n.....rated speed
.../minper minute	Ⓧ.....earthing terminal
IPM.....impacts per minute	▲.....safety alert symbol
SPM.....strokes per minute	BPM.....beats per minute
	RPM.....revolutions per minute
	sfpm.....surface feet per minute

SAVE THESE INSTRUCTIONS FOR FUTURE USE

Motor

Be sure your power supply agrees with the nameplate marking. Voltage decrease of more than 10% will cause loss of power and overheating. All DEWALT tools are factory tested; if this tool does not operate, check the power supply.

COMPONENTS (Fig. 1, 2)

▲ WARNING: Never modify the power tool or any part of it. Damage or personal injury could result.

- | | |
|---------------------------------------|----------------------------|
| A. Paddle switch (DWE4887, DWE4887N) | F. Collet nut |
| B. Lock-on button (DWE4887, DW888) | G. Small spanner (13 mm) |
| C. Lock-off lever (DWE4887, DWE4887N) | H. Large spanner (17 mm) |
| D. Trigger switch (DW888) | I. Collet [1/4" (6.35 mm)] |
| E. Spindle | |

INTENDED USE

The DWE4887, DWE4887N and DW888 heavy-duty die grinders have been designed for professional grinding. **DO NOT** use under wet conditions or in presence of flammable liquids or gases.

These heavy-duty die grinders are professional power tools. **DO NOT** let children come into contact with the tool. Supervision is required when inexperienced operators use this tool.

Switches

▲ WARNING: Before connecting the tool to a power source depress and release the switch once without depressing the lock-on button to ensure that the switch is off. Depress and release the switch as described above after any interruption in power supply to the tool, such as the activation of a ground fault interrupter, throwing of a circuit breaker, accidental unplugging, or power failure. If the switch is locked on, the tool will start unexpectedly when it is reconnected.

▲ WARNING: Grasp tool firmly with both hands to maintain control of the tool at start up and during use and until the wheel or accessory stops rotating. Make sure the wheel has come to a complete stop before laying the tool down.

▲ WARNING: To reduce unexpected tool movement, do not switch the tool on or off while under load conditions. Allow the grinder to run up to full speed before touching the work surface. Lift the tool from the surface before turning the tool off.

PADDLE SWITCH – DWE4887, DWE4887N (FIG. 1)

The lock-off lever (C), located on the paddle switch, is a safety feature that prevents accidental activation of the grinder.

To turn the tool on, push the lock-off lever (C) toward the back of the tool, then depress the paddle switch (A). The tool will run while the switch is depressed. Turn the tool off by releasing the paddle switch.

▲ WARNING: Do not disable the lock-off lever. If the lock-off lever is disabled, the tool may start unexpectedly when it is laid down.

TRIGGER SWITCH – DW888 (FIG. 2)

Depressing the trigger switch turns the tool on. Releasing it turns the tool off. To lock the switch on, fully depress the trigger switch, press and hold in the lock-on button (B), release the trigger switch and the lock-on button. The tool will now remain on. To turn turn the tool off, depress and release the trigger switch.

Lock-on Button – DWE4887, DW888 (Fig. 1, 2)

The lock-on button offers increased comfort in extended use applications. To lock the tool on, push the lock-off lever (C, DWE4887) then depress the paddle switch/trigger switch.

With the tool running, depress the lock-on button (B). The tool will continue to run after the paddle switch is released.

To unlock the tool, depress and release the paddle switch/trigger switch. This will cause the tool to stop.

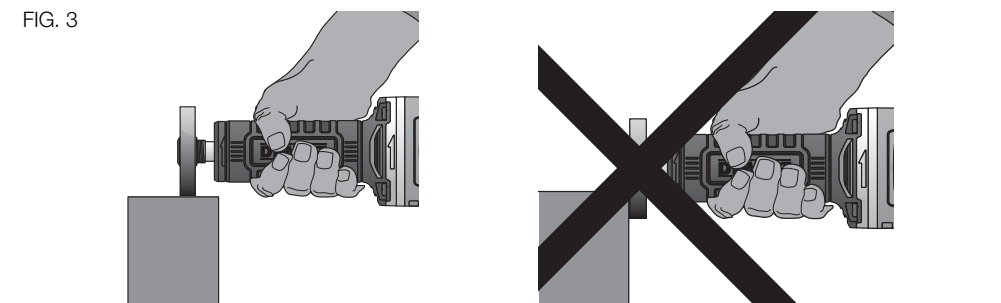
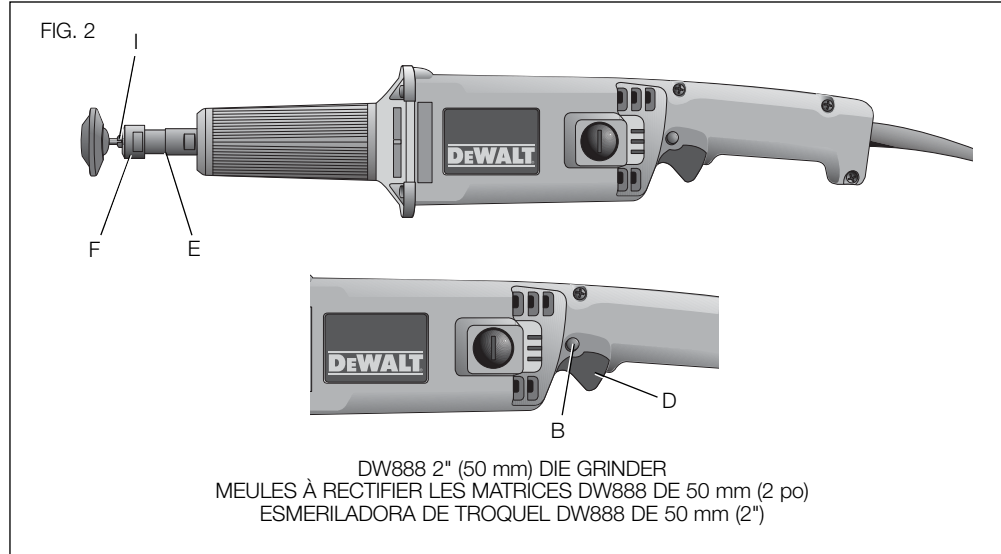
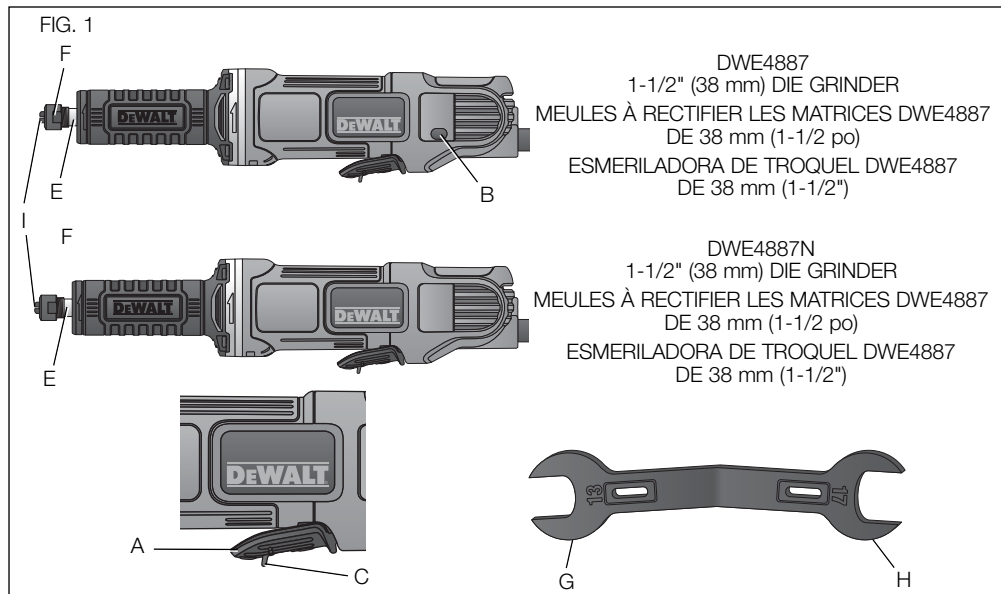
▲ WARNING: Allow the tool to reach full speed before touching tool to the work surface. Lift the tool from the work surface before turning the tool off.

REMOVAL OF LOCK-ON FEATURE (DW888)

The lock-on button (B) can be permanently removed without compromising compliance with regulatory agencies shown on the tool's nameplate. Removal of the lock pin must be done by a DEWALT Service Center.

OPERATION

▲ WARNING: To reduce the risk of serious personal injury, turn tool off and disconnect tool from power source before making any adjustments or removing/installing attachments or accessories. Before reconnecting the tool, depress and release the trigger switch to ensure that the tool is off.



▲ WARNING: Grasp tool firmly with both hands to maintain control of the tool at start up and during use and until the wheel or accessory stops rotating. Make sure the wheel has come to a complete stop before laying the tool down.

Put the work in a vise or clamp it securely. Use a face mask over the nose and mouth if the operation raises dust. Treat the wheel with respect. Do not jam the wheel into the work or use unnecessary pressure. Grind only on the edge of the wheel (Fig. 3), unless you have a special wheel specifically made to permit grinding on the face of the wheel.

Mounting an Accessory (Fig. 1, 2)

▲ WARNING: Accessories must be rated at least equal to the maximum speed marked on the tool. Accessories running faster than their rated speed can break and fly apart.

▲ WARNING: Accessories must be within the capacity rating marked on the tool. Incorrectly sized accessories cannot be adequately controlled.

▲ WARNING: Do not use accessories with a mandrel length exceeding 2.0" (50mm). Ensure that the exposed mandrel length is no more than 1.0" (25mm) after inserting accessory into collet.

▲ WARNING: Projectile hazard. Only use bits with shanks that match the installed collet. Smaller shank bits will not be secure and could become loose during operation.

▲ CAUTION: Never tighten the collet without first installing a router bit in it. Tightening an empty collet, even by hand, can damage the collet.

This tool comes with a 1/4" (6.35 mm) collet (I).

1. Hold the spindle (E) using the smaller spanner (G) provided.
2. Loosen the collet nut (F) by turning it counterclockwise.
3. Insert the shank of the accessory into the collet (I).
4. Securely tighten the collet using the larger spanner (H) provided.

To remove the accessory, proceed in reverse order.

When starting the tool (with a new or replacement wheel installed) hold the tool in a well protected area. If the wheel has an undetected crack or flaw, it should burst in less than one minute. Never start tool with a person in line with the wheel. This includes the operator.

Precautions To Take When Sanding Paint

1. Sanding of lead based paint is NOT RECOMMENDED due to the difficulty of controlling the contaminated dust. The greatest danger of lead poisoning is to children and pregnant women.
2. Since it is difficult to identify whether or not a paint contains lead without a chemical analysis, we recommend the following precautions when sanding any paint:

PERSONAL SAFETY

1. No children or pregnant women should enter the work area where the paint sanding is being done until all clean up is completed.
2. A dust mask or respirator should be worn by all persons entering the work area. The filter should be replaced daily or whenever the wearer has difficulty breathing.

NOTE: Only those dust masks suitable for working with lead paint dust and fumes should be used. Ordinary painting masks do not offer this protection. See your local hardware dealer for the proper NIOSH-approved mask.
3. NO EATING, DRINKING or SMOKING should be done in the work area to prevent ingesting contaminated paint particles. Workers should wash and clean up BEFORE eating, drinking or smoking. Articles of food, drink, or smoking should not be left in the work area where dust would settle on them.

ENVIRONMENTAL SAFETY

1. Paint should be removed in such a manner as to minimize the amount of dust generated.
2. Areas where paint removal is occurring should be sealed with plastic sheeting of 4 mils thickness.
3. Sanding should be done in a manner to reduce tracking of paint dust outside the work area.

CLEANING AND DISPOSAL

1. All surfaces in the work area should be vacuumed and thoroughly cleaned daily for the duration of the sanding project. Vacuum filter bags should be changed frequently.
2. Plastic drop cloths should be gathered up and disposed of along with any dust chips or other removal debris. They should be placed in sealed refuse receptacles and disposed of through regular trash pick-up procedures.

During clean up, children and pregnant women should be kept away from the immediate work area.
3. All toys, washable furniture and utensils used by children should be washed thoroughly before being used again.

MAINTENANCE

▲ WARNING: To reduce the risk of serious personal injury, turn tool off and disconnect tool from power source before making any adjustments or removing/installing attachments or accessories. Before reconnecting the tool, depress and release the trigger switch to ensure that the tool is off.

Cleaning

▲ WARNING: Blowing dust and grit out of motor and switch actuator using clean, dry compressed air is a necessary regular maintenance procedure. Dust and grit containing metal particles often accumulate on interior surfaces and could create an electrical shock or electrocution if not frequently cleaned out. It is recommended that a ground fault circuit interrupter (GFCI) is utilized to further protect the user from electric shock resulting from the accumulation of conductive particles. If the tool is deactivated by the GFCI, unplug the tool and check and clean the tool before resetting the GFCI. ALWAYS WEAR SAFETY GLASSES (ANSI Z87.1) when cleaning or using this tool.

▲ WARNING: Never use solvents or other harsh chemicals for cleaning the non-metallic parts of the tool. These chemicals may weaken the plastic materials used in these parts. Use a cloth dampened only with water and mild soap. Never let any liquid get inside the tool; never immerse any part of the tool into a liquid.

Lubrication

Your power tool requires no additional lubrication.

Motor Brushes

DWE4887, DWE4887N

Please contact your local service center to inspect brushes.

DW888

Be sure tool is unplugged before inspecting brushes. Carbon brushes should be regularly inspected for wear. To inspect brushes on the DW888, unscrew the plastic brush inspection caps (located in the sides of the motor housing) and the spring and brush assemblies may be withdrawn from the tool. Keep brushes clean and sliding freely in their guides. Carbon brushes have varying symbols stamped into them, and if the brush is worn down to the line closest to the spring, they must be replaced. New brush assemblies are available at your local service center.

Accessories

⚠ WARNING: *Since accessories, other than those offered by DEWALT, have not been tested with this product, use of such accessories with this tool could be hazardous. To reduce the risk of injury, only DEWALT recommended accessories should be used with this product.*

Recommended accessories for use with your tool are available at extra cost from your local dealer or authorized service center. If you need assistance in locating any accessory, please contact DEWALT Industrial Tool Co., 701 East Joppa Road, Baltimore, MD 21286, call 1-800-4-DEWALT (1-800-433-9258) or visit our website: www.dewalt.com.

⚠ WARNING: *To reduce the risk of injury, ALWAYS use proper guards when grinding and wear eye protection.*

⚠WARNING: *Handle and store all abrasive wheels carefully to prevent damage from thermal shock, heat, mechanical damage, etc. Store in a dry protected area free from high humidity, freezing temperatures or extreme temperature changes.*

ACCESSORIES FOR DIE GRINDERS

Mounted stones, point, flap wheels, and cutoff wheels.

Repairs

To assure product SAFETY and RELIABILITY, repairs, maintenance and adjustment (including brush inspection and replacement) should be performed by a DEWALT factory service center, a DEWALT authorized service center or other qualified service personnel. Always use identical replacement parts.

Register Online

Thank you for your purchase. Register your product now for:

- **WARRANTY SERVICE:** Registering your product will help you obtain more efficient warranty service in case there is a problem with your product.
- **CONFIRMATION OF OWNERSHIP:** In case of an insurance loss, such as fire, flood or theft, your registration of ownership will serve as your proof of purchase.
- **FOR YOUR SAFETY:** Registering your product will allow us to contact you in the unlikely event a safety notification is required under the Federal Consumer Safety Act.

Register online at www.dewalt.com/register.

Three Year Limited Warranty

DEWALT will repair, without charge, any defects due to faulty materials or workmanship for three years from the date of purchase. This warranty does not cover part failure due to normal wear or tool abuse. For further detail of warranty coverage and warranty repair information, visit www.dewalt.com or call 1-800-4-DEWALT (1-800-433-9258). This warranty does not apply to accessories or damage caused where repairs have been made or attempted by others. This warranty gives you specific legal rights and you may have other rights which vary in certain states or provinces.

In addition to the warranty, DEWALT tools are covered by our:

1 YEAR FREE SERVICE

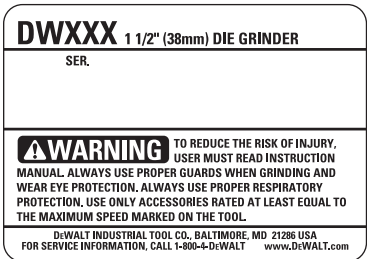
DEWALT will maintain the tool and replace worn parts caused by normal use, for free, any time during the first year after purchase.

90 DAY MONEY BACK GUARANTEE

If you are not completely satisfied with the performance of your DEWALT Power Tool, Laser, or Nailer for any reason, you can return it within 90 days from the date of purchase with a receipt for a full refund – no questions asked.

LATIN AMERICA: This warranty does not apply to products sold in Latin America. For products sold in Latin America, see country specific warranty information contained in the packaging, call the local company or see website for warranty information.

FREE WARNING LABEL REPLACEMENT: If your warning labels become illegible or are missing, call 1-800-4-DEWALT (1-800-433-9258) for a free replacement.



3) SÉCURITÉ PERSONNELLE

- Être vigilant, surveiller le travail effectué et faire preuve de jugement lorsqu'un outil électrique est utilisé. Ne pas utiliser d'outil électrique en cas de fatigue ou sous l'influence de drogues, d'alcool ou de médicaments.** *Un simple moment d'inattention en utilisant un outil électrique peut entraîner des blessures corporelles graves.*
- Utiliser des équipements de protection individuelle. Toujours porter une protection oculaire.** *L'utilisation d'équipements de protection comme un masque antipoussière, des chaussures antidérapantes, un casque de sécurité ou des protecteurs auditifs lorsque la situation le requiert réduira les risques de blessures corporelles.*
- Empêcher les démarrages intempestifs. S'assurer que l'interrupteur se trouve à la position d'arrêt avant de relier l'outil à une source d'alimentation et/ou d'insérer un bloc-piles, de ramasser ou de transporter l'outil.** *Transporter un outil électrique alors que le doigt repose sur l'interrupteur ou brancher un outil électrique dont l'interrupteur est à la position de marche risque de provoquer un accident.*
- Retirer toute clé de réglage ou clé avant de démarrer l'outil.** *Une clé ou une clé de réglage attachée à une partie pivotante de l'outil électrique peut provoquer des blessures corporelles.*
- Ne pas trop tendre les bras. Conserver son équilibre en tout temps.** *Cela permet de mieux maîtriser l'outil électrique dans les situations imprévues.*
- S'habiller de manière appropriée. Ne pas porter de vêtements amples ni de bijoux. Garder les cheveux, les vêtements et les gants à l'écart des pièces mobiles.** *Les vêtements amples, les bijoux ou les cheveux longs risquent de rester coincés dans les pièces mobiles.*
- Si des composants sont fournis pour le raccordement de dispositifs de dépoussiérage et de ramassage, s'assurer que ceux-ci sont bien raccordés et utilisés.** *L'utilisation d'un dispositif de dépoussiérage peut réduire les dangers engendrés par les poussières.*

4) UTILISATION ET ENTRETIEN D'UN OUTIL ÉLECTRIQUE

- Ne pas forcer un outil électrique. Utiliser l'outil électrique approprié à l'application.** *L'outil électrique approprié effectuera un meilleur travail, de façon plus sûre et à la vitesse pour laquelle il a été conçu.*
- Ne pas utiliser un outil électrique dont l'interrupteur est défectueux.** *Tout outil électrique dont l'interrupteur est défectueux est dangereux et doit être réparé.*
- Débrancher la fiche de la source d'alimentation et/ou du bloc-piles de l'outil électrique avant de faire tout réglage ou changement d'accessoire ou avant de ranger l'outil.** *Ces mesures préventives réduisent les risques de démarrage accidentel de l'outil électrique.*
- Ranger les outils électriques hors de la portée des enfants et ne permettre à aucune personne n'étant pas familière avec un outil électrique ou son mode d'emploi d'utiliser cet outil.** *Les outils électriques deviennent dangereux entre les mains d'utilisateurs inexpérimentés.*
- Entretien des outils électriques. Vérifier si les pièces mobiles sont mal alignées ou coincées, si des pièces sont brisées ou présentent toute autre condition susceptible de nuire au bon fonctionnement de l'outil électrique. En cas de dommage, faire réparer l'outil électrique avant toute nouvelle utilisation.** *Beaucoup d'accidents sont causés par des outils électriques mal entretenus.*
- S'assurer que les outils de coupe sont aiguisés et propres.** *Les outils de coupe bien entretenus et affûtés sont moins susceptibles de se coincer et sont plus faciles à maîtriser.*
- Utiliser l'outil électrique, les accessoires, les forets, etc. conformément aux présentes directives en tenant compte des conditions de travail et du travail à effectuer.** *L'utilisation d'un outil électrique pour toute opération autre que celle pour laquelle il a été conçu est dangereuse.*

5) RÉPARATION

- Faire réparer l'outil électrique par un réparateur professionnel en n'utilisant que des pièces de rechange identiques.** *Cela permettra de maintenir une utilisation sécuritaire de l'outil électrique.*

CONSIGNES DE SÉCURITÉ POUR TOUTES LES OPÉRATIONS

Consignes communes de sécurité propres au meulage, ponçage, polissage, à la gravure ou au tronçonnage abrasif

- Cet outil électrique a été conçu pour être utilisé comme outil à meuler, poncer, polir, graver ou tronçonner. Lire toutes les consignes de sécurité, les directives, les illustrations et les caractéristiques techniques fournies avec cet outil électrique.** *Tout manquement aux directives suivantes pose des risques de chocs électriques, d'incendie et/ou de blessures graves.*
- Les opérations de brossage métallique ne sont pas recommandées avec cet outil électrique.** *Toute utilisation de cet outil électrique dans un but autre que celui pour lequel il a été conçu est dangereuse et pose des risques de dommages corporels.*
- Ne pas utiliser des accessoires qui n'ont pas été spécialement conçus pour cet outil ou recommandés par son fabricant.** *Le fait qu'un accessoire peut être connecté à l'outil ne veut pas automatiquement dire que son utilisation ne posera aucun risque.*
- La vitesse nominale des accessoires utilisés doit être au moins équivalente à la vitesse maximale apposée sur l'outil.** *Les accessoires utilisés à une vitesse supérieure à leur vitesse nominale peuvent éclater ou se détacher de l'outil.*
- Le diamètre externe et l'épaisseur de l'accessoire utilisé doivent se conformer aux spécifications de la plaque signalétique de l'outil électrique.** *Les accessoires aux spécifications incorrectes ne peuvent être ni maintenus ni contrôlés de façon adéquate.*
- L'alésage des meules, tambours de ponçage, ou de tout autre accessoire, doit correspondre parfaitement à la taille de la broche ou de la douille de l'outil électrique.** *Les accessoires ne correspondant pas au dispositif d'installation de l'outil électrique ne tourneront pas correctement, vibreront de façon excessive et pourront causer la perte de contrôle de l'outil.*
- Les meules montées sur mandrin, tambours de ponçage, fraises ou autres accessoires doivent être pleinement insérés sur la douille ou le mandrin.** *Si le mandrin est insuffisamment maintenu et/ou que le porte-à-faux de la meule est trop important, la meule installée pourra se déloger et être éjectée à grande vitesse.*
- Ne pas utiliser d'accessoire endommagé. Avant toute utilisation, vérifier que les accessoires, comme les meules abrasives et les tambours de ponçage, ne comportent aucune fissure ou cassure, ou ne sont affectés d'aucune usure excessive, et que les fils des brosses métalliques ne sont ni lâches ni endommagés. En cas de chute, vérifier que l'outil électrique ou l'accessoire n'a pas été endommagé, et remplacer toute pièce abîmée. Après avoir inspecté et installé un accessoire, se positionner, soi-même et tout individu présent, hors du plan de rotation de l'accessoire et laisser tourner l'outil une minute à sa vitesse à vide maximale.** *En général, les accessoires endommagés se brisent pendant le temps d'essai.*
- Porter un équipement de protection individuelle. Utiliser un masque facial, des lunettes de sécurité ou des lunettes protectrices en fonction de l'application. Au besoin, porter un masque antipoussières, des protecteurs auditifs, des gants et un tablier d'atelier capable d'arrêter de petits fragments d'abrasifs ou de pièces.** *La protection oculaire doit être en mesure d'arrêter tout débris produit par les diverses opérations et le masque antipoussières ou le respirateur, de filtrer les particules produites par l'opération en cours. Une exposition prolongée à un bruit d'intensité élevée pourrait causer une perte auditive.*
- Éloigner tout observateur à une distance sécuritaire de la zone de travail. Toute personne qui pénètre dans la zone de travail devra également porter un équipement de protection individuelle.** *Il est possible qu'un fragment de pièce ou un accessoire brisé soit projeté et provoque des blessures au-delà de la zone immédiate de travail.*
- Tenir l'outil électrique uniquement par sa surface de prise isolée dans une situation où l'accessoire de coupe pourrait entrer en contact avec un câble électrique dissimulé ou avec son propre cordon d'alimentation.** *Tout contact entre un fil « sous tension » et l'accessoire de coupe pourrait également mettre « sous tension » les pièces métalliques exposées de l'outil et électrocuter l'opérateur.*
- Maintenir systématiquement l'outil fermement dans vos mains au démarrage.** *L'effet de couple du moteur, alors qu'il accélère pour tourner à plein régime pourra causer la torsion de l'outil.*
- Utiliser des colliers de serrage pour soutenir la pièce à travailler chaque fois que possible. Ne jamais maintenir une petite pièce d'une main, et tenir l'outil en marche de l'autre.** *Arrimer une petite pièce permettra d'utiliser vos mains pour contrôler l'outil. Les matériaux arrondis, comme les goujons, tuyaux ou tubulures ont tendance à rouler pendant la coupe et faire sauter la fraise vers l'utilisateur ou la bloquer.*
- Positionner le cordon d'alimentation hors d'atteinte de l'accessoire en mouvement.** *En cas de perte de maîtrise, il est possible de couper ou d'effiloche le cordon et la main ou le bras de l'utilisateur risqueraient d'être happés par l'accessoire en mouvement.*
- Ne jamais déposer l'outil électrique avant l'immobilisation complète de l'accessoire.** *L'accessoire en mouvement risquerait de mordre dans la surface et de projeter l'outil électrique.*
- S'assurer que l'écrou de la douille de serrage, le mandrin ou tout autre dispositif de réglage, est fermement resserré après tout changement d'organe de coupe ou de réglage.** *Les dispositifs de réglage insuffisamment resserrés peuvent bouger inopinément et faire perdre le contrôle de l'outil, et être violemment éjectés.*
- Mettre l'outil hors tension pour tout déplacement de celui-ci par l'utilisateur.** *Un contact accidentel avec l'accessoire en mouvement pourrait happer les vêtements de l'opérateur et projeter l'accessoire contre son corps.*
- Nettoyer régulièrement les événements de l'outil électrique.** *Le ventilateur du moteur aspirera la poussière à l'intérieur du boîtier. Une accumulation excessive de poudre métallique représente un danger d'origine électrique.*
- Ne pas faire fonctionner l'outil électrique à proximité de matières inflammables.** *Les étincelles produites risquent de les enflammer.*
- Ne pas utiliser d'accessoires qui exigent l'utilisation d'un liquide de refroidissement.** *L'utilisation d'eau ou de tout autre liquide de refroidissement pourrait se solder par une électrocution ou une secousse électrique.*

Définitions : lignes directrices en matière de sécurité

Les définitions ci-dessous décrivent le niveau de danger pour chaque mot-indicateur employé. Lire le mode d'emploi et porter une attention particulière à ces symboles.

⚠ DANGER : indique une situation dangereuse imminente qui, si elle n'est pas évitée, entraînera la mort ou des blessures graves.

⚠ AVERTISSEMENT : indique une situation potentiellement dangereuse qui, si elle n'est pas évitée, pourrait entraîner la mort ou des blessures graves.

⚠ ATTENTION : indique une situation potentiellement dangereuse qui, si elle n'est pas évitée, pourrait entraîner des blessures légères ou modérées.

AVIS : indique une pratique ne posant aucun risque de dommages corporels mais qui par contre, si rien n'est fait pour l'éviter, pourrait poser des risques de dommages matériels.

POUR TOUTE QUESTION OU REMARQUE AU SUJET DE CET OUTIL OU DE TOUT AUTRE OUTIL DEWALT, COMPOSEZ LE NUMÉRO SANS FRAIS : 1 800 433-9258 (1 800 4-DEWALT).

⚠ AVERTISSEMENT : afin de réduire le risque de blessures, lire le mode d'emploi de l'outil.

Avertissements de sécurité généraux pour les outils électriques

⚠ AVERTISSEMENT! Lire tous les avertissements de sécurité et toutes les directives. *Le non-respect des avertissements et des directives pourrait se solder par un choc électrique, un incendie et/ou une blessure grave.*

CONSERVER TOUS LES AVERTISSEMENTS ET TOUTES LES DIRECTIVES POUR UN USAGE ULTÉRIEUR

Le terme « outil électrique » cité dans les avertissements se rapporte à votre outil électrique à alimentation sur secteur (avec fil) ou par piles (sans fil).

1) SÉCURITÉ DU LIEU DE TRAVAIL

- Tenir l'aire de travail propre et bien éclairée.** *Les lieux encombrés ou sombres sont propices aux accidents.*
- Ne pas faire fonctionner d'outils électriques dans un milieu déflagrant, tel qu'en présence de liquides, de gaz ou de poussières inflammables.** *Les outils électriques produisent des étincelles qui pourraient enflammer la poussière ou les vapeurs.*
- Éloigner les enfants et les personnes à proximité pendant l'utilisation d'un outil électrique.** *Une distraction pourrait en faire perdre la maîtrise à l'utilisateur.*

2) SÉCURITÉ EN MATIÈRE D'ÉLECTRICITÉ

- Les fiches des outils électriques doivent correspondre à la prise. Ne jamais modifier la fiche d'aucune façon. Ne jamais utiliser de serra d'adaptation avec un outil électrique mis à la terre.** *Le risque de choc électrique sera réduit par l'utilisation de fiches non modifiées correspondant à la prise.*
- Éviter tout contact physique avec des surfaces mises à la terre comme des tuyaux, des radiateurs, des cuisinières et des réfrigérateurs.** *Le risque de choc électrique est plus élevé si votre corps est mis à la terre.*
- Ne pas exposer les outils électriques à la pluie ou à l'humidité.** *La pénétration de l'eau dans un outil électrique augmente le risque de choc électrique.*
- Ne pas utiliser le cordon de façon abusive. Ne jamais utiliser le cordon pour transporter, tirer ou débrancher un outil électrique. Tenir le cordon éloigné de la chaleur, de l'huile, des bords tranchants et des pièces mobiles.** *Les cordons endommagés ou enchevêtrés augmentent les risques de choc électrique.*
- Pour l'utilisation d'un outil électrique à l'extérieur, se servir d'une rallonge convenant à cette application.** *L'utilisation d'une rallonge conçue pour l'extérieur réduira les risques de choc électrique.*
- S'il est impossible d'éviter l'utilisation d'un outil électrique dans un endroit humide, brancher l'outil dans une prise ou sur un circuit d'alimentation dotés d'un disjoncteur de fuite à la terre (GFCI).** *L'utilisation de ce type de disjoncteur réduit les risques de choc électrique.*

CONSIGNES ADDITIONNELLES DE SÉCURITÉ PROPRES À TOUTE UTILISATION

Rebonds et avertissements afférents

Les rebonds sont la conséquence du grippage ou coinçage d'une meule, d'un tampon ponceur ou d'une brosse en rotation ou de tout autre accessoire. Tout grippage ou coinçage causera rapidement le blocage de l'accessoire en rotation, ce qui projettera l'outil électrique non contrôlé dans la direction opposée à l'accessoire en rotation.

Par exemple, si une meule abrasive se pince ou s'accroche dans la pièce, le bord de la meule introduite au point de pincement peut mordre dans la surface de la pièce et projeter la meule hors de la rainure. La meule peut être projetée vers l'opérateur ou dans la direction opposée selon le sens de rotation de la meule au point de pincement. Il est également possible que les meules abrasives se brisent dans ces conditions.

Un effet de rebond est le résultat d'une mauvaise utilisation de l'outil et/ou de procédures ou conditions de fonctionnement incorrectes. Il peut être évité en prenant les précautions nécessaires telles que décrites ci-dessous :

- Maintenir l'outil électrique fermement et positionner les bras et le corps de façon à pouvoir résister à toute force de rebonds.** En prenant les précautions adéquates, les forces de rebonds peuvent être contrôlées par l'utilisateur.
- Prendre des précautions supplémentaires pour travailler des coins, des bords acérés, etc. Éviter que l'accessoire rebondisse ou reste accroché.** Les coins, bords acérés ou les sursauts ont tendance à retenir l'accessoire en rotation et causer la perte de contrôle de l'outil, ou des rebonds.
- Ne pas y installer de pales dentées.** Ces lames posent des risques de rebonds fréquents et de perte de contrôle de l'outil.
- Maintenir systématiquement la direction de l'alimentation de l'organe de coupe dans le matériau alors que le tranchant de lame sort du matériau (qui est la direction d'éjection des débris).** Le fait d'alimenter l'outil dans la mauvaise direction fait sortir le tranchant de lame de la pièce et entraîne l'outil dans la direction de l'alimentation.
- Lors de l'utilisation de limes rotatives, meules à tronçonner, fraises haute vitesse ou au carbure de tungstène, arrimer systématiquement la pièce à travailler.** Ces organes de coupe patineront s'ils sont légèrement de biais dans la rainure et pourront causer des rebonds. Lorsqu'une meule à tronçonner patine, la meule en général casse. Lorsqu'une lime rotative, une fraise haute vitesse ou au carbure de tungstène patine, elle peut sauter de la rainure et faire perdre le contrôle de l'outil.

Avertissements de sécurité spécifiques aux opérations de meulage et de coupe par abrasion

- Utiliser uniquement les types de meules recommandés pour l'outil électrique ainsi que le capot protecteur particulier conçu pour la meule sélectionnée.** Il est impossible de bien protéger l'opérateur lors de l'utilisation de meules non conçues pour l'outil.
- Avec les cônes abrasifs filetés et tampons, n'utiliser que des meules à mandrin intactes avec épaulement de bride sans détalonnage, de taille et longueur adéquates.** Les mandrins adéquats réduiront les possibilités de casse.
- Ne pas « bloquer » la meule à tronçonner ou lui appliquer une pression excessive. Ne pas effectuer des profondeurs de coupe excessives.** Surcharger la meule augmente la contrainte sur l'outil et les risques de torsion ou grippage de la meule dans la coupe et, en conséquence, les risques de rebonds ou de cassure de la meule.
- Ne pas positionner les mains dans l'alignement de la meule en rotation ou derrière elle.** Lorsque la meule, au point d'opération, s'éloigne de la main, un rebond pourrait projeter la meule en rotation et l'outil électrique directement sur vous.
- Lorsque la meule est pincée, grippée ou lorsqu'on interrompt une coupe pour une raison quelconque, mettre l'outil électrique hors tension et le maintenir immobile jusqu'à arrêt complet de la meule. Ne jamais tenter de retirer une meule à tronçonner de la coupe alors qu'elle est en rotation, car il y a risques de rebonds.** Examiner le travail et prendre les mesures qui s'imposent pour éliminer tout risque de grippage.
- Ne pas reprendre la coupe avec la meule dans le trait de coupe de la pièce. Attendre que la meule soit à plein régime puis la réinsérer soigneusement dans le trait de coupe.** Si l'outil électrique redémarrait avec la meule appuyée sur la pièce, celle-ci risquerait de gripper, de se déplacer ou de reculer.
- Pour réduire le risque de pincement ou de recul de la meule, soutenir les panneaux ou toute autre pièce surdimensionnée.** Les grandes pièces tendent à s'affaisser sous leur propre poids. Disposer des appuis sous la pièce, le long de la ligne de coupe et près du bord de la pièce, des deux côtés de la meule.
- Faire particulièrement attention lors de la réalisation de « découpe en poche » dans des murs existants ou d'autres zones sans visibilité.** La portion de la meule faisant saillie risque de couper un tuyau d'alimentation en eau ou en gaz, des fils électriques ou des objets pouvant provoquer un effet de rebond.

Consigne de sécurité supplémentaire

- Ne jamais utiliser de meules de type 11 (boisseau conique) sur cet outil.** L'utilisation d'accessoires inadéquats peut se solder par des blessures.
- Prendre des précautions à proximité des événements, car ils cachent des pièces mobiles.** Vêtements amples, bijoux ou cheveux longs risquent de rester coincés dans ces pièces mobiles.
- Pour la sécurité de l'utilisateur, utiliser une rallonge de calibre adéquat (AWG, American Wire Gauge [calibrage américain normalisé des fils électriques]).** Plus le calibre est petit, et plus sa capacité est grande. Un calibre 16, par exemple, a une capacité supérieure à un calibre 18. L'usage d'une rallonge de calibre insuffisant causera une chute de tension qui entraînera perte de puissance et surchauffe. Si plus d'une rallonge est utilisée pour obtenir une certaine longueur, s'assurer que chaque rallonge présente au moins le calibre de fil minimum. Le tableau ci-dessous illustre les calibres à utiliser selon la longueur de rallonge et l'intensité nominale indiquée sur la plaque signalétique. En cas de doute, utiliser le calibre suivant. Plus le calibre est petit, plus la rallonge peut supporter de courant.

Calibres minimaux des rallonges						
Intensité (en ampères)		volts		Longueur totale de cordon en mètres (pieds)		
		120 V	7,6 (25)	15,2 (50)	30,5 (100)	45,7 (150)
		240 V	15,2 (50)	30,5 (100)	61,0 (200)	91,4 (300)
Supérieur à	Inférieur à	AWG				
0	6		18	16	16	14
6	10		18	16	14	12
10	12		16	16	14	12
12	16		14	12	Non recommandé	

⚠ AVERTISSEMENT : porter SYSTEMATIQUEMENT des lunettes de protection. Les lunettes courantes NE sont PAS des lunettes de protection. Utiliser aussi un masque antipoussières si la découpe doit en produire beaucoup. PORTER SYSTEMATIQUEMENT UN ÉQUIPEMENT DE SÉCURITÉ HOMOLOGUÉ :

- Protection oculaire ANSI Z87.1 (CAN/CSA Z94.3) ;
- Protection auditive ANSI S12.6 (S3.19) ;
- Protection des voies respiratoires NIOSH/OSHA/MSHA.

need to verify with compliance if the following text (Prop 65) is the correct wording for this tool :

⚠ AVERTISSEMENT : les scies, meules, ponceuses, perceuses ou autres outils de construction peuvent produire des poussières contenant des produits chimiques reconnus par l'État californien pour causer cancers, malformations congénitales ou être nocifs au système reproducteur. Parmi ces produits chimiques, on retrouve :

- Le plomb dans les peintures à base de plomb ;
- La silice cristallisée dans les briques et le ciment, ou autres produits de maçonnerie ; et
- L'arsenic et le chrome dans le bois ayant subi un traitement chimique.

Le risque associé à de telles expositions varie selon la fréquence à laquelle on effectue ces travaux. Pour réduire toute exposition à ces produits : travailler dans un endroit bien aéré, en utilisant du matériel de sécurité homologué, tel un masque antipoussières spécialement conçu pour filtrer les particules microscopiques.

- Limiter toute exposition prolongée avec les poussières provenant du ponçage, sciage, meulage, perçage ou toute autre activité de construction. Porter des vêtements de protection et nettoyer à l'eau savonneuse les parties du corps exposées.** Le fait de laisser la poussière pénétrer dans la bouche, les yeux ou la peau peut favoriser l'absorption de produits chimiques dangereux.

⚠ AVERTISSEMENT : cet outil peut produire et/ou répandre de la poussière susceptible de causer des dommages sérieux et permanents au système respiratoire. Utiliser systématiquement un appareil de protection des voies respiratoires homologué par le NIOSH ou l'OSHA. Diriger les particules dans le sens opposé au visage et au corps.

⚠ AVERTISSEMENT : pendant l'utilisation, porter systématiquement une protection auditive individuelle adéquate homologuée ANSI S12.6 (S3.19). Sous certaines conditions et suivant la durée d'utilisation, le bruit émanant de ce produit pourrait contribuer à une perte de l'acuité auditive.

⚠ AVERTISSEMENT : toujours utiliser une protection oculaire. Tous les utilisateurs et personnes à proximité doivent porter une protection oculaire conforme à la norme ANSI Z87.1

⚠ AVERTISSEMENT : lorsqu'elle est inutilisée, déposer la meuleuse sur une surface stable où elle sera immobile et ne risquera pas de rouler ou de faire trébucher ou chuter quiconque. Une telle pratique peut entraîner des blessures corporelles graves.

⚠ ATTENTION : pour réduire le risque de blessure corporelle, être encore plus prudent lors de travaux dans un coin ou sur un rebord. En effet, le contact inopiné de la meule ou d'un autre accessoire sur une surface indirecte ou un rebord pourrait provoquer un mouvement brusque et soudain de l'outil.

- L'étiquette apposée sur votre outil peut inclure les symboles suivants. Les symboles et leur définition sont indiqués ci-après :

 V..... volts	A..... ampères
 Hz..... hertz	W..... watts
 min minutes	~ ou AC..... courant alternatif
 === ou DC.... courant continu	∞ ou AC/DC... courant alternatif ou continu
 Ⓛ..... classe I fabrication (mis à la terre)	n°..... vitesse à vide
 Ⓜ..... fabrication classe II (double isolation)	n..... vitesse nominale
	Ⓢ borne de terre

 .../min par minute	⚠..... symbole d'avertissement
 IPM..... impacts par minute	BPM battements par minute
 sfpm pieds linéaires par minute (plpm)	r/min tours par minute
 SPM (FPM).... fréquence par minute	

CONSERVER CES CONSIGNES POUR UTILISATION ULTÉRIEURE

Moteur

Veiller à ce que la tension d'alimentation soit conforme aux exigences de la plaque signalétique de l'outil. Une baisse de tension de plus de 10-p.-100 peut entraîner une perte de puissance et la surchauffe. Tous les outils DEWALT sont essayés avant de quitter l'usine. Lorsque celui-ci refuse de fonctionner, vérifier la source de courant électrique.

COMPOSANTS (FIG. 1, 2)

⚠ AVERTISSEMENT : ne jamais modifier l'outil électrique ou l'une de ses parties. Une telle pratique risque de provoquer des dommages matériels ou des blessures corporelles.

- | | |
|---|-------------------------------------|
| A. Interrupteur à détente (DWE4887, DWE4887N) | E. Broche |
| B. Bouton de verrouillage (DWE4887, DW888) | F. L'écrou de la douille de serrage |
| C. Levier de verrouillage (DWE4887, DWE4887N) | G. Petite clé (13 mm) |
| D. Gâchette (DW888) | H. Grande clé (17 mm) |
| | I. Douille [6.35 mm (1/4 po)] |

USAGE PRÉVU

Les meules à rectifier les matrices DWE4887, DWE4887N et DW888 ont été conçues pour le meulage professionnel. **NE PAS** les utiliser en milieu ambiant humide ou en présence de liquides ou de gaz inflammables.

Ces meules à rectifier les matrices industrielles sont des outils électriques de professionnels. **NE PAS** les laisser à la portée des enfants. Une supervision est nécessaire auprès de tout utilisateur non expérimenté.

Interrupteurs

⚠ AVERTISSEMENT : avant de brancher l'outil sur le secteur appuyer puis relâcher l'interrupteur une fois, sans appuyer sur le bouton de verrouillage pour s'assurer que l'interrupteur est en position d'arrêt. Appuyer puis relâcher l'interrupteur comme décrit ci-dessus après toute coupure de courant, comme en cas d'activation d'un disjoncteur de fuite à la terre, d'activation du disjoncteur, de débranchement accidentel ou de toute autre cause de coupure de courant. Si l'interrupteur était verrouillé en état de marche, l'outil pourrait démarrer accidentellement lorsque le courant sera restauré.

⚠ AVERTISSEMENT : maintenir l'outil fermement à deux mains pour garder le contrôle de l'outil au démarrage et pendant son utilisation, et ce, jusqu'à arrêt complet de la meule ou de tout autre accessoire. Avant de poser l'outil, s'assurer que la meule s'est complètement arrêtée de tourner.

⚠ AVERTISSEMENT : pour réduire tout mouvement accidentel de l'outil, ne pas arrêter ou démarrer l'outil alors qu'il est en contact avec une surface quelconque. Laisser la meule tourner à plein régime avant de la mettre en contact avec la surface à travailler. Retirer l'outil de la surface à travailler avant de l'arrêter.

INTERRUPTEUR À DÉTENTE – DWE4887, DWE4887N (FIG. 1)

Le levier de verrouillage (C), situé sur l'interrupteur à détente, est un dispositif de sécurité pour prévenir l'activation accidentelle de la meule.

Pour mettre l'outil en marche, poussez le levier de verrouillage (C) vers l'arrière de l'outil, puis appuyez sur l'interrupteur à détente (A). L'outil fonctionnera tant que l'interrupteur restera appuyé. Pour arrêter l'outil, relâchez l'interrupteur à détente.

⚠ AVERTISSEMENT : ne pas désactiver le levier de verrouillage. Si le levier de verrouillage était désactivé, l'outil pourrait démarrer accidentellement alors qu'il est posé.

GÂCHETTE – DW888 (FIG. 2)

Appuyer sur la gâchette, met l'outil en marche. Relâcher la gâchette, arrête l'outil. Pour verrouiller la gâchette en marche, appuyez à fond sur la gâchette, maintenez appuyé le bouton de verrouillage (B), puis relâchez la gâchette et le bouton de verrouillage. L'outil restera alors en marche. Pour arrêter l'outil, appuyez sur la gâchette puis relâchez.

Bouton de verrouillage – DWE4887, DW888 (Fig. 1, 2)

Le bouton de verrouillage augmente le confort pour les usages intensifs. Pour verrouiller l'outil en marche, appuyez sur le levier de verrouillage (C, DWE4887) puis appuyez sur l'interrupteur à détente/gâchette.

Alors que l'outil tourne, relâchez le bouton de verrouillage (B). L'outil continuera de tourner lorsque l'interrupteur à détente sera relâché.

Pour déverrouiller l'outil, appuyez puis relâchez l'interrupteur à détente/gâchette. Cela arrêtera l'outil.

⚠ AVERTISSEMENT : laisser l'outil tourner à plein régime avant de le mettre en contact avec la surface à travailler. Retirer l'outil de la pièce à travailler avant de l'arrêter.

RETRAIT DU BOUTON DE VERROUILLAGE EN POSITION DE MARCHÉ (DW888)

Il est possible de retirer le bouton de verrouillage en position de marche (B) en permanence sans compromettre la conformité avec les organismes de réglementation indiqués sur la plaque signalétique de l'outil. Le bouton de verrouillage en position de marche doit être retiré dans un centre de service DEWALT.

FONCTIONNEMENT

⚠ AVERTISSEMENT : pour réduire le risque de blessures corporelles graves, éteindre l'outil et le débrancher avant d'effectuer tout réglage ou d'enlever ou d'installer des accessoires. Avant de rebrancher l'outil, enfoncer et relâcher la détente pour s'assurer que l'outil est bien hors tension.

⚠ AVERTISSEMENT : maintenir l'outil fermement à deux mains pour garder le contrôle de l'outil au démarrage et pendant son utilisation, et ce, jusqu'à arrêt complet de la meule ou de tout autre accessoire. Avant de poser l'outil, s'assurer que la meule s'est complètement arrêtée de tourner.

Maintenez fermement la pièce à travailler à l'aide d'un étiau ou d'une bride. Portez un écran facial sur le nez et la bouche si l'opération produit de la poussière. Utilisez la meule avec précautions. Ne bloquez pas le disque dans la pièce à travailler et n'appliquez aucune pression inutile. Ne meulez qu'avec le bord de la meule (fig. 3), à moins de posséder une meule conçue tout spécialement pour le meulage facial.

Installation d'un accessoire (Fig. 1, 2)

⚠ AVERTISSEMENT : les accessoires doivent avoir au minimum la vitesse nominale maximum apposée sur l'outil. Les accessoires utilisés à une vitesse supérieure à leur vitesse nominale peuvent éclater ou se détacher de l'outil.

⚠ AVERTISSEMENT : les accessoires doivent se conformer aux spécifications de la plaque signalétique de l'outil. Les accessoires aux spécifications incorrectes ne peuvent être contrôlés de façon adéquate.

⚠ AVERTISSEMENT : ne pas utiliser d'accessoires avec une longueur de mandrin supérieure à 50mm (2.0 po). S'assurer que la longueur dépassant du mandrin est inférieure à 25mm (1.0 po) une fois l'accessoire inséré dans la douille.

⚠ AVERTISSEMENT : risques de projections. Utiliser exclusivement des fraises dont la tige cadre parfaitement avec la douille présente. Les fraises à tige de taille inférieure ne peuvent être arimées de façon sécuritaire et pourraient se libérer pendant l'utilisation.

⚠ ATTENTION : ne jamais serrer la douille sans qu'une fraise à défoncer y soit déjà installée. Le fait de resserrer une douille vide, même manuellement, pourrait l'endommager.

Cet outil est fourni avec une douille (I) de 6,35 mm (1/4 po).

- Maintenez la broche (E) à l'aide de la petite clé (G) fournie à cet effet.
- Desserrez l'écrou de la douille de serrage (F) en le faisant tourner vers la gauche.
- Insérez la tige de l'accessoire dans la douille.
- Resserrez soigneusement la douille à l'aide de la grande clé (H) fournie à cet effet.

Pour retirer l'accessoire, procédez en sens inverse.

Lorsque vous redémarrez l'outil (avec une meule neuve, ou après l'avoir changée), maintenez l'outil dans un espace sécuritaire. Si le disque est affecté d'une fêlure ou d'un défaut caché, il pourrait éclater en moins d'une minute. Ne démarrez jamais l'outil alors qu'un individu se trouve dans l'alignement du disque, y compris l'utilisateur.

Précautions relatives au ponçage de peinture

- Le ponçage d'une peinture au plomb N'EST PAS RECOMMANDÉ en raison des difficultés entourant le contrôle de la poussière contaminée. Le danger le plus important d'empoisonnement au plomb touche les enfants et les femmes enceintes.
- Étant donné qu'il est difficile d'identifier si une peinture contient ou non du plomb sans une analyse chimique, nous recommandons de suivre les précautions suivantes lors du ponçage d'une peinture :

SÉCURITÉ PERSONNELLE

- Les enfants et les femmes enceintes ne devraient pas entrer dans une zone de travail où se fait le ponçage de la peinture avant que la zone n'ait été entièrement nettoyée.
- Toutes les personnes entrant dans la zone de travail doivent porter un masque antipoussières ou un respirateur. Le filtre doit être remplacé chaque jour ou dès que la personne qui le porte éprouve de la difficulté à respirer.

REMARQUE : seuls les masques antipoussières qui conviennent pour le travail avec de la poussière et des émanations de peinture au plomb doivent être utilisés. Les masques pour peinture ordinaires n'offrent pas cette protection. Consulter le détaillant de quincaillerie de votre région pour obtenir un masque antipoussières homologué N.I.O.S.H.

- EVITER DE MANGER, BOIRE et FUMER dans la zone de travail pour empêcher toute ingestion de particules de peinture contaminée. Les travailleurs doivent se laver les mains AVANT de manger, de boire ou de fumer. Ne pas laisser de nourriture, de breuvages ou d'articles de fumeur dans la zone de travail où ils risquent de recevoir de la poussière.

RESPÉCT DE L'ENVIRONNEMENT

- La peinture doit être enlevée de façon à minimiser la quantité de poussière produite.
- Les zones où la peinture est enlevée doivent être scellées avec des feuilles de plastique d'une épaisseur de 101,6 µm (4 mils).
- Le ponçage doit se faire de façon à réduire le repérage de la poussière de peinture à l'extérieur de la zone de travail.

NETTOYAGE ET MISE AU REBUT

- Toutes les surfaces de la zone de travail doivent être nettoyées à fond à l’aide d’un aspirateur, et ce, chaque jour, pour la durée du projet de ponçage. Il faut changer régulièrement les sacs de filtre pour aspirateur.
- Les toiles de peinture en plastique doivent être rassemblées et mises au rebut avec les particules de poussière ou tout autre débris d’enlèvement. Il faut les placer dans des récipients à rebut étanches et les éliminer par la collecte des ordures ménagères. Pendant le nettoyage, les enfants et les femmes enceintes doivent éviter de se trouver dans la zone immédiate de travail.
- Tous les jouets, meubles lavables et les ustensiles utilisés par les enfants doivent être nettoyés à fond avant de les utiliser de nouveau.

ENTRETIEN

⚠️ AVERTISSEMENT : pour réduire le risque de blessures corporelles graves, éteindre l’outil et le débrancher avant d’effectuer tout réglage ou d’enlever ou d’installer des accessoires. Avant de rebrancher l’outil, enfoncer et relâcher la détente pour s’assurer que l’outil soit bien hors tension.

Nettoyage

⚠️ AVERTISSEMENT : enlever la poussière et la saleté du moteur et de l’actionneur d’interrupteur au moyen d’air comprimé sec et propre constitue une procédure d’entretien périodique nécessaire. Il arrive souvent que la poussière et la saleté, composées de particules métalliques, s’accumulent sur les surfaces internes, ce qui peut causer un choc électrique ou une électrocution si un nettoyage fréquent n’est pas réalisé. Il est recommandé d’utiliser un disjoncteur de fuite de terre afin de mieux protéger l’utilisateur contre tout choc électrique provoqué par une accumulation de particules conductrices. Si l’outil est désactivé par le disjoncteur de fuite de terre, débrancher l’outil, le vérifier et le nettoyer avant de réenclencher le disjoncteur. TOUJOURS PORTER DES LUNETTES DE SÉCURITÉ (ANSI Z87.1) au moment de nettoyer ou d’utiliser cet outil.

⚠️ AVERTISSEMENT : ne jamais utiliser de solvants ni d’autres produits chimiques puissants pour nettoyer les pièces non métalliques de l’outil. Ces produits chimiques peuvent affaiblir les matériaux de plastique utilisés dans ces pièces. Utiliser un chiffon humecté uniquement d’eau et de savon doux. Ne jamais laisser de liquide pénétrer dans l’outil et n’immerger aucune partie de l’outil dans un liquide.

Lubrification

Cet outil électrique ne requiert aucune lubrification additionnelle.

Balais de moteur

DWE4887, DWE4887N

Veuillez contacter votre centre de réparation local pour faire inspecter les balais.

DW888

Assurez-vous que l’outil est bien débranché avant d’inspecter les balais. Vérifiez régulièrement l’état des balais de charbon. Pour vérifier les balais sur la DW888, dévissez les capuchons plastiques d’inspection des balais (situés de chaque côté du boîtier du moteur) de façon à pouvoir retirer les dispositifs ressort et balai de l’outil. Maintenez les balais propres et vérifiez qu’ils glissent librement dans leurs supports. Les balais de charbon comportent des symboles variés, et si le balai est usé au niveau de la ligne la plus proche du ressort, il faut le changer. Des modules de balais sont à votre disposition chez votre centre de réparation local.

Accessoires

⚠️ AVERTISSEMENT : puisque les accessoires autres que ceux offerts par DEWALT n’ont pas été testés avec ce produit, leur utilisation pourrait s’avérer dangereuse. Pour réduire le risque de blessures, utiliser exclusivement les accessoires DEWALT recommandés avec le présent produit.

Les accessoires recommandés pour cet outil sont vendus séparément au centre de service de votre région. Pour obtenir de l’aide concernant l’achat d’un accessoire, communiquer avec DEWALT Industrial Tool Co., 701 East Joppa Road, Baltimore, MD 21286 aux États-Unis; composer le 1 800 433-9258 (1 800 4-DEWALT) ou visiter notre site Web : www.dewalt.com.

⚠️ AVERTISSEMENT : pour réduire le risque de blessure, TOUJOURS utiliser les protège-meules adéquats pour le meulage et porter une protection oculaire appropriée.

⚠️ WARNING: Handle and store all abrasive wheels carefully to prevent damage from thermal shock, heat, mechanical damage, etc. Store in a dry protected area free from high humidity, freezing temperatures or extreme temperature changes.

ACCESSOIRES POUR MEULEUSES À RECTIFIER LES MATRICES

Pierres serties, burins, meules à lamelles abrasives et meules à tronçonner.

Réparations

Pour assurer la SÉCURITÉ et la FIABILITÉ du produit, les réparations, l’entretien et les réglages doivent être réalisés (cela comprend l’inspection et le remplacement du balai) par un centre de réparation en usine DEWALT, un centre de réparation agréé DEWALT ou par d’autres techniciens qualifiés. Toujours utiliser des pièces de rechange identiques.

Registre en ligne

Merci pour votre achat. Enregistrez dès maintenant votre produi:

- RÉPARATIONS SOUS GARANTIE:** cette carte remplit vous permettra de vous prévaloir du service de réparations sous garantie de façon plus efficace dans le cas d’un problème avec le produit.
- CONFIRMATION DE PROPRIÉTÉ:** en cas de perte provoquée par un incendie, une inondation ou un vol, cette preuve de propriété vous servira de preuve auprès de votre compagnie d’assurances.
- SÉCURITÉ:** l’enregistrement de votre produit nous permettra de communiquer avec vous dans l’éventualité peu probable de l’envoi d’un avis de sécurité régi par la loi fédérale américaine de la protection des consommateurs.

Registre en ligne à www.dewalt.com/register.

Garantie limitée de trois ans

DEWALT réparera, sans frais, tout produit défectueux causé par un défaut de matériel ou de fabrication pour une période de trois ans à compter de la date d’achat. La présente garantie ne couvre pas les pièces dont la défectuosité a été causée par une usure normale ou l’usage abusif de l’outil. Pour obtenir de plus amples renseignements sur les pièces ou les réparations couvertes par la présente garantie, visiter le site www.dewalt.com ou composer le 1 800 433-9258 (1 800 4-DEWALT). Cette garantie ne s’applique pas aux accessoires et ne vise pas les dommages causés par des réparations effectuées par un tiers. Cette garantie confère des droits légaux particuliers à l’acheteur, mais celui-ci pourrait aussi bénéficier d’autres droits variant d’un état ou d’une province à l’autre.

En plus de la présente garantie, les outils DEWALT sont couverts par notre :

CONTRAT D’ENTRETIEN GRATUIT D’UN AN

DEWALT entretiendra l’outil et remplacera les pièces usées au cours d’une utilisation normale et ce, gratuitement, pendant une période d’un an à compter de la date d’achat.

GARANTIE DE REMBOURSEMENT DE 90 JOURS

Si l’acheteur n’est pas entièrement satisfait, pour quelque raison que ce soit, du rendement de l’outil électrique, du laser ou de la cloueuse DEWALT, celui-ci peut le retourner, accompagné d’un reçu, dans les 90 jours à compter de la date d’achat pour obtenir un remboursement intégral, sans aucun problème.

AMÉRIQUE LATINE : cette garantie ne s’applique aux produits vendus en Amérique latine. Pour ceux-ci, veuillez consulter les informations relatives à la garantie spécifique présente dans l’emballage, appeler l’entreprise locale ou consulter le site Web pour les informations relatives à cette garantie.

REMPLACEMENT GRATUIT DES ÉTIQUETTES D’AVERTISSEMENT : si les étiquettes d’avertissement deviennent illisibles ou sont manquantes, composer le 1 800 433-9258 (1 800 4-DEWALT) pour en obtenir le remplacement gratuit.

DWXXX 1 1/2" (38mm) DIE GRINDER
SER. _____
⚠️ WARNING TO REDUCE THE RISK OF INJURY, USER MUST READ INSTRUCTION MANUAL. ALWAYS USE PROPER GUARDS WHEN GRINDING AND WEAR EYE PROTECTION. ALWAYS USE PROPER RESPIRATORY PROTECTION. USE ONLY ACCESSORIES RATED AT LEAST EQUAL TO THE MAXIMUM SPEED MARKED ON THE TOOL.
<small>DEWALT INDUSTRIAL TOOL CO., BALTIMORE, MD 21286 USA FOR SERVICE INFORMATION, CALL 1-800-4-DEWALT www.DEWALT.com</small>

⚠️ ADVERTENCIA PARA EL MANEJO SEGURO LEA EL MANUAL DE INSTRUCCIONES. UTILICE SIEMPRE LAS GUARDAS APROPIADAS. UTILICE SIEMPRE LA PROTECCIÓN ADECUADA PARA LA VISTA Y PARA LAS VÍAS RESPIRATORIAS. UTILICE SOLO ACCESORIOS CALIFICADOS PARA UTILIZAR A LA VELOCIDAD MÁXIMA MARCADA EN LA HERRAMIENTA, COMO MÍNIMO.
⚠️ AVERTISSEMENT À TITRE PRÉVENTIF, LIRE LE LES PROTECTEURS APPROPRIÉS. TOUJOURS PORTER DE L’ÉQUIPEMENT DE PROTECTION OCULAIRE ET RESPIRATOIRE APPROPRIÉ. UTILISER EXCLUSIVEMENT DES ACCESSOIRES DONT LA VITESSE NOMINALE EST ÉQUIVALENTE OU SUPÉRIEURE À CELLE RECOMMANDÉE SUR L’ÉTIQUETTE D’AVERTISSEMENT DE L’OUTIL.

Advertencias generales de seguridad para herramientas eléctricas



ADVERTENCIA! Lea todas las advertencias de seguridad e instrucciones. El incumplimiento de las advertencias e instrucciones puede provocar descargas eléctricas, incendios o lesiones graves.

CONSERVE TODAS LAS ADVERTENCIAS E INSTRUCCIONES PARA FUTURAS CONSULTAS

El término “herramienta eléctrica” incluido en las advertencias hace referencia a las herramientas eléctricas operadas con corriente (con cable eléctrico) o a las herramientas eléctricas operadas con baterías (inalámbricas).

1) SEGURIDAD EN EL ÁREA DE TRABAJO

- Mantenga el área de trabajo limpia y bien iluminada.** Las áreas abarrotadas y oscuras propician accidentes.
- No opere las herramientas eléctricas en atmósferas explosivas, como ambientes donde haya polvo, gases o líquidos inflamables.** Las herramientas eléctricas originan chispas que pueden encender el polvo o los vapores.
- Mantenga alejados a los niños y a los espectadores de la herramienta eléctrica en funcionamiento.** Las distracciones pueden provocar la pérdida de control.

2) SEGURIDAD ELÉCTRICA

- Los enchufes de la herramienta eléctrica deben adaptarse al tomacorriente. Nunca modifique el enchufe de ninguna manera. No utilice ningún enchufe adaptador con herramientas eléctricas con conexión a tierra.** Los enchufes no modificados y que se adaptan a los tomacorrientes reducirán el riesgo de descarga eléctrica.
- Evite el contacto corporal con superficies con descargas a tierra como, por ejemplo, tuberías, radiadores, cocinas eléctricas y refrigeradores.** Existe mayor riesgo de descarga eléctrica si su cuerpo está puesto a tierra.
- No exponga las herramientas eléctricas a la lluvia o a condiciones de humedad.** Si entra agua a una herramienta eléctrica, aumentará el riesgo de descarga eléctrica.
- No maltrate el cable. Nunca utilice el cable para transportar, tirar o desenchufar la herramienta eléctrica. Mantenga el cable alejado del calor, el aceite, los bordes filosos y las piezas móviles.** Los cables dañados o enredados aumentan el riesgo de descarga eléctrica.
- Al operar una herramienta eléctrica en el exterior, utilice un cable prolongador adecuado para tal uso.** Utilice un cable adecuado para uso en exteriores a fin de reducir el riesgo de descarga eléctrica.
- Si el uso de una herramienta eléctrica en un lugar húmedo es imposible de evitar, utilice un suministro protegido con un interruptor de circuito por falla a tierra (GFCI).** El uso de un GFCI reduce el riesgo de descargas eléctricas.

3) SEGURIDAD PERSONAL

- Permanezca alerta, controle lo que está haciendo y utilice el sentido común cuando emplee una herramienta eléctrica. No utilice una herramienta eléctrica si está cansado o bajo el efecto de drogas, alcohol o medicamentos.** Un momento de descuido mientras se opera una herramienta eléctrica puede provocar lesiones personales graves.
- Utilice equipos de protección personal. Siempre utilice protección para los ojos.** En las condiciones adecuadas, el uso de equipos de protección, como máscaras para polvo, calzado de seguridad antideslizante, cascos o protección auditiva, reducirá las lesiones personales.
- Evite el encendido por accidente. Asegúrese de que el interruptor esté en la posición de apagado antes de conectarlo a la fuente de energía o paquete de baterías, o antes de levantar o transportar la herramienta.** Transportar herramientas eléctricas con el dedo apoyado en el interruptor o enchufar herramientas eléctricas con el interruptor en la posición de encendido puede propiciar accidentes.
- Retire la clavija de ajuste o la llave de tuercas antes de encender la herramienta eléctrica.** Una llave de tuercas o una clavija de ajuste que quede conectada a una pieza giratoria de la herramienta eléctrica puede provocar lesiones personales.
- No se estire. Conserve el equilibrio y párese adecuadamente en todo momento.** Esto permite un mejor control de la herramienta eléctrica en situaciones inesperadas.
- Use la vestimenta adecuada. No use ropas holgadas ni joyas. Mantenga el cabello, la ropa y los guantes alejados de las piezas en movimiento.** Las ropas holgadas, las joyas o el cabello largo pueden quedar atrapados en las piezas en movimiento.
- Si se suministran dispositivos para la conexión de accesorios con fines de recolección y extracción de polvo, asegúrese de que estén conectados y que se utilicen correctamente.** El uso de dispositivos de recolección de polvo puede reducir los peligros relacionados con el polvo.

4) USO Y MANTENIMIENTO DE LA HERRAMIENTA ELÉCTRICA

- No fuerce la herramienta eléctrica. Utilice la herramienta eléctrica correcta para el trabajo que realizará.** Si se la utiliza a la velocidad para la que fue diseñada, la herramienta eléctrica correcta permite trabajar mejor y de manera más segura.
- No utilice la herramienta eléctrica si no puede encenderla o apagarla con el interruptor.** Toda herramienta eléctrica que no pueda ser controlada mediante el interruptor es peligrosa y debe repararse.
- Desconecte el enchufe de la fuente de energía o el paquete de baterías de la herramienta eléctrica antes de realizar ajustes, cambiar accesorios o almacenar la herramienta eléctrica.** Estas medidas de seguridad preventivas reducen el riesgo de encender la herramienta eléctrica en forma accidental.
- Guarde la herramienta eléctrica que no esté en uso fuera del alcance de los niños y no permita que otras personas no familiarizadas con ella o con estas instrucciones operen la herramienta.** Las herramientas eléctricas son peligrosas si son operadas por usuarios no capacitados.
- Realice el mantenimiento de las herramientas eléctricas. Revise que no haya piezas en movimiento mal alineadas o trabadas, piezas rotas o cualquier otra situación que pueda afectar el funcionamiento de la herramienta eléctrica. Si encuentra daños, haga reparar la herramienta eléctrica antes de utilizarla.** Se producen muchos accidentes a causa de las herramientas eléctricas que carecen de un mantenimiento adecuado.
- Mantenga las herramientas de corte afiladas y limpias.** Las herramientas de corte con mantenimiento adecuado y con los bordes de corte afilados son menos propensas a trabarse y son más fáciles de controlar.
- Utilice la herramienta eléctrica, los accesorios y las brocas de la herramienta, etc. de acuerdo con estas instrucciones y teniendo en cuenta las condiciones de trabajo y el trabajo que debe realizarse.** El uso de la herramienta eléctrica para operaciones diferentes de aquéllas para las que fue diseñada podría originar una situación peligrosa.

5) MANTENIMIENTO

- Solicite a una persona calificada en reparaciones que realice el mantenimiento de su herramienta eléctrica y que sólo utilice piezas de repuesto idénticas.** Esto garantizará la seguridad de la herramienta eléctrica.

INSTRUCCIONES DE SEGURIDAD PARA TODAS LAS OPERACIONES

Advertencias de seguridad comunes para operaciones de esmerilado, lijado, pulido, tallado o corte abrasivo

- Esta herramienta eléctrica está diseñada para funcionar como esmeriladora, lijadora, pulidora o herramienta de tallado o de corte. Lea todas las advertencias de seguridad, instrucciones, ilustraciones y especificaciones provistas con esta herramienta eléctrica.** El incumplimiento de las instrucciones que se indican a continuación podría provocar una descarga eléctrica, un incendio y/o lesiones graves.
- No se recomienda el uso de esta herramienta eléctrica para algunas operaciones como el escobillado metálico.** Su uso para operaciones para las que la herramienta no ha sido diseñada puede ocasionar peligro y lesiones personales.
- No utilice accesorios que no estén diseñados y recomendados específicamente por el fabricante de la herramienta.** El hecho de que el accesorio pueda acoplarse a la herramienta eléctrica no garantiza un funcionamiento sin riesgos.
- La velocidad nominal de los accesorios debe ser como mínimo igual a la velocidad máxima marcada en la herramienta eléctrica.** Los accesorios que funcionen a velocidades superiores a su velocidad nominal pueden romperse y salir despedidos.
- El diámetro externo y el grosor del accesorio deben estar dentro de la capacidad de su herramienta eléctrica.** Los accesorios de tamaños incorrectos no pueden ser protegidos o controlados adecuadamente.
- El tamaño del eje de los discos, los rodillos lijadores o cualquier otro accesorio debe acoplarse bien al eje o collar de la herramienta eléctrica.** Los accesorios que no se corresponden con las piezas de montaje de la herramienta eléctrica se desequilibrarán, vibrarán excesivamente y pueden causar pérdida de control.
- Los discos, rodillos lijadores, cortadores u otros accesorios montados en mandril deben insertarse completamente en el collar o mandril.** Si el mandril no está suficientemente sujeto y/o el saliente del disco es demasiado largo, el disco montado puede aflojarse y salir disparado a alta velocidad.
- No utilice un accesorio dañado. Antes de cada uso, inspeccione el accesorio, como por ejemplo los discos abrasivos, para verificar si tiene muescas o grietas, el rodillo lijador para verificar si tiene grietas o roturas o si está muy desgastado, la escobilla de alambre para comprobar si tiene alambres sueltos o agrietados. Si la herramienta o el accesorio se cae accidentalmente, revise que no esté dañados o, si es necesario, cambie el accesorio por uno que no esté dañado. Después de inspeccionar e instalar un accesorio, colóquense yonga y las personas presentes alejados del plano del accesorio en movimiento y puesta la herramienta eléctrica en funcionamiento a la velocidad sin carga máxima durante un minuto.** Si el accesorio está dañado, normalmente se terminará de romper durante este período de prueba.
- Utilice equipos de protección personal. Según la aplicación, debe usar protector facial, anteojos de seguridad o lentes de seguridad. Según corresponda, utilice máscara para polvo, protectores auditivos, guantes y delantal de taller para protegerse de los pequeños fragmentos abrasivos y de los fragmentos de la pieza de trabajo.** La protección para los ojos debe ser capaz de detener los residuos volátiles

Definiciones: Normas de seguridad

Las siguientes definiciones describen el nivel de gravedad de cada palabra de señal. Lea el manual y preste atención a estos símbolos.

⚠️ PELIGRO: indica una situación de peligro inminente que, si no se evita, provocará **la muerte o lesiones graves.**

⚠️ ADVERTENCIA: indica una situación de peligro potencial que, si no se evita, **podría provocar la muerte o lesiones graves.**

⚠️ ATENCIÓN: indica una situación de peligro potencial que, si no se evita, **posiblemente provocaría lesiones leves o moderadas.**

AVISO: se refiere a una **práctica no relacionada a lesiones corporales** que de no evitarse puede resultar en **daños a la propiedad.**

SI TIENE ALGUNA DUDA O ALGÚN COMENTARIO SOBRE ÉSTA U OTRA HERRAMIENTA DEWALT, LLÁMENOS AL NÚMERO GRATUITO: **1-800-4-DEWALT (1-800-433-9258)**.



ADVERTENCIA: Para reducir el riesgo de lesiones, lea el manual de instrucciones.

que se generan en las diferentes operaciones. La máscara para polvo o respirador debe ser capaz de filtrar las partículas generadas por el funcionamiento de la herramienta. La exposición prolongada al ruido intenso puede provocar pérdida de la audición.

- j) **Mantenga a los espectadores a una distancia segura del área de trabajo. Toda persona que ingrese al área de trabajo debe utilizar equipos de protección personal.** Los fragmentos de una pieza de trabajo o de un accesorio roto pueden volar y provocar lesiones más allá del área de operaciones cercana.
- k) **Cuando realice una operación en que el accesorio de corte pueda tocar cables eléctricos ocultos o su propio cable, sostenga la herramienta solamente por las superficies de agarre aisladas.** El contacto con un cable con “corriente eléctrica” hará que las partes metálicas expuestas de la herramienta también tengan “corriente eléctrica” y el operador sufra una descarga.
- l) **Mantenga siempre sujeta la herramienta en la(s) mano(s) durante la puesta en marcha.** El par de reacción del motor, al acelerar hasta la velocidad máxima, puede hacer que la herramienta se tuerza.
- m) **Use abrazaderas para sujetar la pieza de trabajo siempre que sea práctico. No sujete nunca una pieza de trabajo pequeña con una mano y la herramienta con la otra mientras esté en funcionamiento.** Sujetar una pieza de trabajo pequeña con una abrazadera le permite utilizar las manos para controlar la herramienta. El material redondo, como las varillas de espiga, las tuberías o tubos, suele rodar mientras están siendo cortado y puede ocasionar que la broca se atasque o salte hacia usted.
- n) **Coloque el cable lejos del accesorio giratorio.** Si pierde el control de la herramienta, el cable puede cortarse o enredarse y jalarle la mano o el brazo hacia el accesorio giratorio.
- o) **Nunca apoye la herramienta hasta que el accesorio se haya detenido completamente.** El accesorio giratorio puede enganchar la superficie y producir la pérdida de control de la herramienta.
- p) **Después de cambiar las brocas o realizar cualquier ajuste, asegúrese de que la tuerca de sujeción, el portabrocas o cualquier otro dispositivo de ajuste estén bien apretados.** Los dispositivos de ajuste sueltos pueden moverse inesperadamente y ocasionar una pérdida de control, y las piezas rotativas sueltas pueden salir disparados violentamente.
- q) **No haga funcionar la herramienta eléctrica mientras la carga a su lado.** El contacto accidental con el accesorio giratorio puede hacer que éste se le enganche en la ropa y lance el accesorio hacia su cuerpo.
- r) **Limpie frecuentemente los orificios de ventilación de la herramienta eléctrica.** El ventilador del motor atraerá el polvo dentro de la cubierta, y la acumulación excesiva de polvo metálico puede producir riesgos eléctricos.
- s) **No use la herramienta eléctrica cerca de materiales inflamables.** Las chispas pueden encender estos materiales.
- t) **No utilice accesorios que requieran refrigerantes líquidos.** El uso de agua u otros refrigerantes líquidos puede producir una electrocución o descarga eléctrica.

INSTRUCCIONES DE SEGURIDAD ADICIONALES PARA TODAS LAS OPERACIONES

Rebote y advertencias relacionadas

El rebote es una reacción repentina de un disco, almohadilla de lijado, cepillo u otro accesorio en movimiento al quedar enganchados o atascados. Al atascarse o engancharse, el accesorio rotativo se detiene repentinamente haciendo que la herramienta eléctrica pierda el control y rebote en la dirección contraria a la dirección de rotación del accesorio.

Por ejemplo, si la pieza de trabajo atasca o pellizca el disco abrasivo, el borde del disco que ingresa en el punto de pliegue puede clavarse en la superficie del material y provocar que el disco salte o se desenganche. El disco puede saltar hacia el operador o en sentido contrario, según la dirección del movimiento del disco en el punto de pellizco. Los discos abrasivos también se pueden romper en estas condiciones.

El retroceso es el resultado de un mal uso de la herramienta o de condiciones o procedimientos operativos incorrectos y se puede evitar tomando las precauciones apropiadas que se indican a continuación:

- a) **Sujete firmemente la herramienta eléctrica y sitúe el cuerpo y el brazo de manera que pueda resistir la fuerza del rebote.** El operador puede controlar la fuerza del rebote, si se toman las precauciones adecuadas.
- b) **Tenga especial cuidado cuando trabaje esquinas, bordes afilados, etc. Evite hacer rebotar o enganchar el accesorio.** Las esquinas, los bordes afilados y los movimientos irregulares tienen tendencia a hacer que el accesorio rotativo se enganche y ocasione pérdida de control o rebote.
- c) **No fije una hoja de serrado dentada.** Dichas hojas ocasionan frecuentes rebotes y pérdida de control.
- d) **Introduzca siempre la broca en el material en la misma dirección en que el borde de corte esté saliendo del material (que es la misma dirección en que salen despedidas las astillas).** El introducir la herramienta en la dirección equivocada hace que el borde de corte de la broca salte de la pieza de trabajo y tire de la herramienta en la dirección de esta alimentación.
- e) **Al usar limas rotativas, discos de corte, cortadores de alta velocidad o cortadores de carburo de tungsteno, tenga siempre bien sujeta la pieza de trabajo.** Estos discos se aferran si se inclinan ligeramente en la ranura y pueden rebotar. Cuando un disco de corte se aferra, normalmente se rompe. Cuando una lima rotativa, cortador de alta velocidad o cortador de carburo de tungsteno se aferran, pueden saltar de la ranura y puede perder el control de la herramienta.

Advertencias de seguridad específicas para operaciones de esmerilado y cortes abrasivos

- a) **Utilice solamente tipos de discos recomendados para la herramienta eléctrica y solo para las aplicaciones recomendadas. Por ejemplo: no esmerile con el lado de un disco de corte.** Los discos de corte abrasivo están previstos para el esmerilado periférico, y si se aplican fuerzas laterales a estos discos pueden provocar que se rompan.
- b) **Para conos abrasivos roscados y tapones use solamente mandriles de discos no dañados con un reborde no rebajado que sean de un tamaño y longitud correctos.** Los mandriles adecuados reducirán la posibilidad de rotura.
- c) **No “atasque” el disco de corte ni aplique excesiva presión. No intente hacer un corte de profundidad excesiva.** El ejercer demasiada presión sobre el disco aumenta la carga y la susceptibilidad de giro o enganche del disco en el corte y la posibilidad de rebote o rotura del disco.
- d) **No coloque la mano alineada con respecto al disco en movimiento ni detrás de él.** Cuando el disco, en el punto de operación, se aleje de la mano, el posible rebote puede propulsar el disco en movimiento y la herramienta eléctrica directamente hacia usted.
- e) **Cuando el disco esté atascado o enganchado, o cuando interrumpa un corte por cualquier razón, apague la herramienta eléctrica y sujétela sin moverse hasta que el disco se pare por completo. No intente nunca sacar del corte el disco de corte mientras el disco esté en movimiento, de lo contrario puede ocurrir un rebote.** Investigue y tome medidas correctivas para eliminar la causa del trabado del disco.
- f) **No vuelva a iniciar la operación de corte en la pieza de trabajo. Deje que el disco alcance la velocidad máxima y vuelva a entrar cuidadosamente en el corte.** El disco puede atascarse, saltarse del trabajo o producir un retroceso si la herramienta eléctrica se vuelve a encender dentro de la pieza de trabajo.
- g) **Sostenga los paneles o cualquier pieza de trabajo con sobreespesor para minimizar el riesgo de que el disco se pellizque o se produzca un retroceso.** Las piezas de trabajo grandes tienden a combarse por su propio peso. Los apoyos deben colocarse debajo de la pieza de trabajo, cerca de la línea de corte y cerca del borde de la pieza de trabajo, a ambos lados del disco.
- h) **Sea muy cuidadoso cuando realice un “corte interno” en paredes existentes o en otras zonas ciegas.** El disco que sobresale puede cortar cañerías de gas o agua, cables eléctricos u objetos que pueden producir un retroceso.

Información de seguridad adicional

- No utilice discos Tipo 11 (copas cónicas) en esta herramienta.** El uso de accesorios incorrectos puede producir lesiones.
- Los orificios de ventilación suelen cubrir piezas en movimiento, por lo que también se deben evitar.** Las piezas en movimiento pueden atrapar prendas de vestir sueltas, joyas o el cabello largo.
- Los hilos del alargador deben ser de un calibre apropiado (AWG o American Wire Gauge) para su seguridad.** Mientras menor sea el calibre del hilo, mayor la capacidad del cable. Es decir, un hilo calibre 16 tiene mayor capacidad que uno de 18. Un cable de un calibre insuficiente causará una caída en la tensión de la línea dando por resultado una pérdida de energía y sobrecalentamiento. Cuando se utilice más de un alargador para completar el largo total, asegúrese que los hilos de cada alargador tengan el calibre mínimo. La tabla siguiente muestra el tamaño correcto a utilizar, dependiendo de la longitud del cable y del amperaje nominal de la placa de identificación. Si tiene dudas sobre cuál calibre usar, use un calibre mayor. Cuanto más pequeño sea el número del calibre, más resistente será el cable.

Calibre mínimo para cables de alimentación						
Amperaje		Voltios	Largo total del cordón en metros (pies)			
		120 V	7,6 (25)	15,2 (50)	30,5 (100)	45,7 (150)
		240 V	15,2 (50)	30,5 (100)	61,0 (200)	91,4 (300)
Más de	No más de	AWG				
0	6		18	16	16	14
6	10		18	16	14	12
10	12		16	16	14	12
12	16		14	12	No recomendado	

⚠ ADVERTENCIA: Use **SIEMPRE** lentes de seguridad. Los anteojos de diario **NO SON** lentes de seguridad. Utilice además una cubrebocas o mascarilla antipolvo si la operación de corte genera demasiado polvo. **SIEMPRE LLEVE EQUIPO DE SEGURIDAD CERTIFICADO:**

- Protección ocular ANSI Z87.1 (CAN/CSA Z94.3),
- Protección auditiva ANSI S12.6 (S3.19),
- Protección respiratoria NIOSH/OSHA/MSHA.

need to verify with compliance if the following text (Prop 65) is the correct wording for this tool:

⚠ ADVERTENCIA: Algunas partículas de polvo generadas al *lijar, serrar, esmerilar y taladrar* con herramientas eléctricas, así como al realizar otras actividades de construcción, contienen químicos que el Estado de California sabe que pueden producir *cáncer, defectos congénitos u otras afecciones reproductivas*. Ejemplos de estos químicos son:

- plomo de algunas pinturas en base a plomo,
- polvo de sílice proveniente de ladrillos y cemento y otros productos de albañilería, y
- arsénico y cromo provenientes de madera tratada químicamente.

Su riesgo de exposición a estos químicos *varía*, dependiendo de la frecuencia con la cual realiza usted este tipo de trabajo. Para reducir su exposición a estas sustancias químicas: trabaje en una zona bien ventilada y llevando equipos de seguridad aprobados, como mascarillas antipolvo especialmente diseñadas para filtrar partículas microscópicas.

- Evite el contacto prolongado con polvo generado por el lijado, aserrado, pulido, taladrado y otras actividades de construcción. Vista ropas protectoras y lave las áreas de la piel expuestas con agua y jabón.** Si permite que el polvo se introduzca en la boca u ojos o quede sobre la piel, puede favorecer la absorción de productos químicos peligrosos.

⚠ ADVERTENCIA: La utilización de esta herramienta puede generar polvo o dispersarlo, lo que podría causar daños graves y permanentes al sistema respiratorio, así como otras lesiones. Siempre use protección respiratoria aprobada por NIOSH (Instituto Nacional de Seguridad y Salud en el Trabajo) u OSHA (Administración de Seguridad y Salud en el Trabajo) apropiada para la exposición al polvo. Dirija las partículas en dirección contraria a la cara y el cuerpo.

may or may not need this warning, depends on tool:

⚠ ADVERTENCIA: Siempre lleve la debida protección auditiva personal en conformidad con ANSI S12.6 (S3.19) durante el uso de esta herramienta. Bajo algunas condiciones y duraciones de uso, el ruido producido por este producto puede contribuir a la pérdida auditiva.

⚠ ADVERTENCIA: Utilice siempre protección para los ojos. Todos los usuarios y espectadores deben utilizar protección para los ojos conforme con las normas ANSI Z87.1.

⚠ ADVERTENCIA: Cuando no la utilice, coloque la esmeriladora en una superficie estable donde no pueda moverse de manera accidental, deslizarse ni provocar tropezones o caídas. Puede causar lesiones personales graves.

⚠ ATENCIÓN: Para reducir el riesgo de lesiones personales, tenga mucho cuidado al trabajar en una esquina o borde, ya que puede producirse un movimiento repentino y violento de la herramienta si el disco u otro accesorio entra en contacto con una segunda superficie o un borde.

- La etiqueta de su herramienta puede incluir los siguientes símbolos. A continuación se indican los símbolos y sus definiciones:

V.....voltios	A.....amperios
Hz.....hertz	W.....vatios
minminutos	~ o AC.....corriente alterna
== o DC....corriente directa	⎓ o AC/DCcorriente alterna o directa
Ⓜ.....Construcción de Clase I (tierra)	ℓo.....velocidad sin carga
Ⓜ.....Construcción de Clase II) (doble aislamiento)	nvelocidad nominal
.../minpor minuto	⚠.....símbolo de advertencia de seguridad
IPM.....impactos por minuto	BPM.....golpes por minuto
sfpmpies de superficie por minuto	RPM.....revoluciones por minuto
SPMpasadas por minuto	

GUARDE ESTAS INSTRUCCIONES PARA FUTURAS CONSULTAS

Motor

Verifique que su abastecimiento de energía concuerda con lo indicado en la placa de identificación. Disminuciones en el voltaje mayores a 10% provocarán la pérdida de potencia y sobre calentamiento. DEWALT realiza pruebas de fábrica en todas sus herramientas; si su herramienta no funciona la línea de alimentación.

COMPONENTES (FIG. 1, 2)

⚠ ADVERTENCIA: Nunca modifique la herramienta eléctrica ni ninguna pieza de ésta. Podría ocasionar un daño o una lesión personal.

A. Conmutador de paleta (DWE4887, DWE4887N)	D. Conmutador de gatillo (DW888)
B. Botón de bloqueo en encendido (DWE4887, DW888)	E. Eje
C. Palanca de bloqueo en apagado (DWE4887, DWE4887N)	F. Tuerca de sujeción
	G. Llave pequeña (13 mm)
	H. Llave grande (17 mm)
	I. Collar 6,35 mm ([1/4”])

USO DEBIDO

Las esmeriladoras de troquel DWE4887, DWE4887N y DW888 para trabajos pesados están diseñadas para el esmerilado profesional. **NO** utilice la herramienta en condiciones húmedas o en la presencia de líquidos o gases inflamables.

Estas esmeriladoras de troquel para trabajos pesados son herramientas eléctricas profesionales. **NO** permita que un niño juegue con la herramienta. Si el operador no tiene experiencia en la operación de esta herramienta, su uso deberá ser supervisado.

Conmutadores

⚠ ADVERTENCIA: Antes de enchufar la herramienta, presione y suelte el conmutador sin presionar el botón de bloqueo en encendido, para asegurarse de que el conmutador esté apagado. Presione y suelte el conmutador, tal como se ha indicado, después de cualquier interrupción del suministro eléctrico a la herramienta, tal como la activación de un interruptor de falla a tierra, el disparo de un disyuntor, el desenchufado accidental o un corte de electricidad. Si el conmutador está con el botón de bloqueo de encendido activado, la herramienta se pondrá en marcha súbitamente al volver a conectarla.

⚠ ADVERTENCIA: Tome la herramienta firmemente con ambas manos para mantener el control de la herramienta al arranque y durante el uso de la misma, y hasta que deje de rotar el disco o accesorio. Compruebe que el disco se haya detenido totalmente antes de soltar la herramienta.

⚠ ADVERTENCIA: Para reducir el movimiento inesperado de la herramienta, no la encienda ni la apague mientras la carga. Permita a la esmeriladora alcanzar su velocidad completa antes de tocarla contra la superficie a ser esmerilada. Levante la herramienta de la superficie antes de apagarla.

CONMUTADOR DE PALETA – DWE4887, DWE4887N (FIG. 1)

La palanca de bloqueo en apagado (C), ubicada en el conmutador de paleta, es una función de seguridad que evita que la esmeriladora sea activada accidentalmente.

Para encender la herramienta, empuje la palanca de bloqueo en apagado (C) hacia atrás y luego presione el conmutador de paleta (A). La herramienta funcionará mientras el conmutador esté presionado. Para apagar la herramienta, suelte el conmutador de paleta.

⚠ ADVERTENCIA: No inhabilite la palanca de bloqueo en apagado. Si se inhabilita la palanca de bloqueo en apagado, la herramienta podría ponerse en marcha súbitamente al ponerla a un lado.

CONMUTADOR DE GATILLO – DW888 (FIG. 2)

Para encender la herramienta, presione el conmutador de gatillo. Para apagarla, suéltelo. Para bloquear en encendido el conmutador, presione completamente el conmutador de gatillo, presione y mantenga presionado el botón de bloqueo en encendido (B), suelte el conmutador de gatillo y el botón de bloqueo en encendido. Ahora la herramienta se mantendrá encendida. Para apagar la herramienta, presione y suelte el conmutador de gatillo.

Botón de bloqueo en encendido (DWE4887, DW888) (Fig. 1, 2)

El botón de bloqueo en encendido ofrece una mayor comodidad cuando se usa la herramienta durante períodos prolongados. Para bloquear en encendido la herramienta, empuje la palanca de bloqueo en apagado (C, DWE4887), luego presione el conmutador de paleta/gatillo.

Con la herramienta funcionando, presione el botón de bloqueo en encendido (B). La herramienta seguirá funcionando cuando se suelte el conmutador de palanca.

Para desbloquear la herramienta, presione y suelte el conmutador de paleta/gatillo. Esto detendrá la herramienta.

⚠ ADVERTENCIA: Deje que la herramienta alcance su velocidad total antes de tocar con ella la superficie de la pieza de trabajo. Levante la herramienta de la superficie de trabajo antes de apagarla.

REMOCIÓN DEL DISPOSITIVO DE ENCENDIDO PERMANENTE (DW888)

El botón de encendido (B) permanente puede eliminarse sin comprometer el cumplimiento de los requerimientos de las agencias reguladoras mostradas en la placa de identificación. La remoción del botón debe hacerse en un centro de servicio autorizado DEWALT.

FUNCIONAMIENTO

⚠ ADVERTENCIA: Para reducir el riesgo de lesiones personales graves, apague la herramienta y desconéctela de la fuente de alimentación antes de realizar ajustes o de retirar/instalar cualquier dispositivo o accesorio. Antes de volver a conectar la herramienta, oprima y libere el interruptor disparador para asegurarse de que la herramienta esté apagada.

⚠ ADVERTENCIA: Tome la herramienta firmemente con ambas manos para mantener el control de la herramienta al arranque y durante el uso de la misma, y hasta que deje de rotar el disco o accesorio. Compruebe que el disco se haya detenido totalmente antes de soltar la herramienta.

Fije su pieza de trabajo firmemente con una abrazadera o un torno. Lleve una mascarilla para cubrirse la nariz y la boca si la operación a realizar generará polvo. Respete el disco. No meta el disco bruscamente en la pieza de trabajo ni use un nivel de fuerza innecesario. Esmerle solo con el borde del disco, (Fig. 3), a menos que tenga un disco especial que permita esmerilar con la cara del disco.

Montaje de un accesorio (Fig. 1, 2)

⚠ ADVERTENCIA: Los accesorios deben ser especificados como mínimo para la velocidad máxima indicada en la herramienta. Los accesorios que funcionen a velocidades superiores a su velocidad nominal pueden romperse y salir despedidos.

⚠ ADVERTENCIA: Los accesorios se deben equiparar a la capacidad nominal indicada en la herramienta. Los accesorios de tamaños incorrectos no pueden ser controlados adecuadamente.

⚠ ADVERTENCIA: No utilice accesorios con un mandril de una longitud superior a 50 mm (2.0"). Asegúrese de que la longitud del mandril expuesta no sea superior a 25 mm (1.0") después de insertar el accesorio en el collar.

⚠ ADVERTENCIA: Peligro de proyectil. Use solamente brocas con vástagos que se correspondan con el collar instalado. Las brocas con vástagos más pequeños no estarán seguras y podrían aflojarse durante el funcionamiento.

⚠ ATENCIÓN: No apriete nunca el collar sin instalar primero una broca de buriladora en él. El apretar un collar vacío, incluso a mano, puede dañar el collar.

Esta herramienta viene con un collar de 6,35 mm (1/4") (I).

- Sujete el eje (E) utilizando la llave más pequeña (G) provista.
- Afloje la tuerca de sujeción (F) girándola en sentido antihorario.
- Introduzca el vástago del accesorio en el collar.
- Apriete bien el collar utilizando la llave más grande (H) suministrada.

Para sacar el accesorio, proceda en orden inverso.

Cuando arranque la herramienta (con un disco nuevo o de repuesto instalado) sujete la herramienta en un área bien protegida. Si el disco tiene una cuarteadura o una falla que hayan pasado inadvertidas, se romperá en pedazos en menos de un minuto. Nunca encienda la herramienta cuando haya una persona alineada con el disco. Incluso si se trata del operador.

Precauciones que debe tener en cuenta al lijar pintura

- NO SE RECOMIENDA lijar pintura de base plomo debido a la dificultad para controlar el polvo contaminado. El peligro de envenenamiento por plomo es más importante para los niños y las mujeres embarazadas.
- Como es difícil identificar si una pintura contiene o no plomo sin realizar análisis químicos, recomendamos tomar las siguientes precauciones al lijar cualquier pintura:

SEGURIDAD PERSONAL

- Ningún niño o mujer embarazada debe ingresar al área de trabajo donde se lija la pintura hasta que se haya terminado la limpieza final.
- Todas las personas que ingresan al área de trabajo deben usar una máscara para polvo o una mascarilla de respiración. El filtro se debe cambiar diariamente o cada vez que el usuario tenga dificultad para respirar.

NOTA: Sólo se deben usar aquellas máscaras para polvo apropiadas para trabajar con polvo y vapores de pintura de base plomo. Las máscaras comunes para pintar no ofrecen esta protección. Consulte a su comerciante local sobre la máscara apropiada (aprobada por NIOSH).
- NO SE DEBE COMER, BEBER O FUMAR en el área de trabajo para evitar ingerir partículas de pintura contaminada. Los trabajadores se deben lavar y limpiar ANTES de comer, beber o fumar. No se deben dejar artículos para comer, beber o fumar en el área de trabajo donde se podría depositar polvo sobre ellos.

SEGURIDAD AMBIENTAL

- La pintura debe ser retirada de forma tal de reducir al mínimo la cantidad de polvo generado.
- Las áreas donde se realiza remoción de pintura deben estar selladas con hojas de plástico de 101,6 µm (4 mils) de espesor.
- El lijado se debe realizar de manera de reducir los vestigios de polvo de pintura fuera del área de trabajo.

LIMPIEZA Y ELIMINACIÓN

- Todas las superficies del área de trabajo deben ser limpiadas cuidadosamente y repasadas con aspiradora todos los días mientras dure el proyecto de lijado. Se deben cambiar con frecuencia las bolsas de filtro de la aspiradora.
- Las telas plásticas del piso se deben recoger y eliminar junto con cualquier resto de polvo u otros residuos del lijado. Deben colocarse en recipientes de desperdicios sellados y eliminarse por medio de los procedimientos normales de recolección de residuos. Durante la limpieza, los niños y las mujeres embarazadas deben mantenerse lejos del área de trabajo inmediata.
- Todos los juguetes, muebles lavables y utensilios utilizados por los niños deben ser lavados cuidadosamente antes de ser utilizados nuevamente.

MANTENIMIENTO

⚠ ADVERTENCIA: Para reducir el riesgo de lesiones personales graves, apague la herramienta y desconéctela de la fuente de alimentación antes de realizar ajustes o de retirar/instalar cualquier dispositivo o accesorio. Antes de volver a conectar la herramienta, oprima y libere el interruptor disparador para asegurarse de que la herramienta esté apagada..

Limpieza

⚠ ADVERTENCIA: *Soplar el polvo y la suciedad del motor y del actuador del interruptor con aire comprimido limpio y seco constituye un procedimiento de mantenimiento necesario. El polvo y la suciedad, que contienen partículas del metal esmerilado, a menudo se depositan en las superficies interiores y crean el riesgo de descarga eléctrica o electrocución si no se eliminan con frecuencia. Se recomienda utilizar un interruptor de corte por falla a tierra (GFCI) para proteger aún más al usuario contra descarga eléctrica, resultante de la acumulación de partículas conductoras. Si el GFCI desactiva la herramienta, desenchufe la unidad e inspecciónela y límpiela antes de restablecer el GFCI. UTILICE SIEMPRE GAFAS PROTECTORAS (ANSÍ Z87.1) cuando limpie o use esta herramienta.*

⚠ ADVERTENCIA: *Nunca utilice solventes ni otros químicos abrasivos para limpiar las piezas no metálicas de la herramienta. Estos productos químicos pueden debilitar los materiales plásticos utilizados en estas piezas. Utilice un paño humedecido sólo con agua y jabón neutro. Nunca permita que penetre líquido dentro de la herramienta ni sumerja ninguna de las piezas en un líquido.*

Lubricación

Su herramienta eléctrica no requiere lubricación adicional.

Cepillos del motor

DWE4887, DWE4887N

Por favor comuníquese con su centro local de servicio para inspeccionar los cepillos.

DW888

Asegúrese de desenchufar la herramienta antes de inspeccionar los cepillos. Los cepillos de carbono se deben inspeccionar en forma regular para verificar que no estén desgastados. Para inspeccionar los cepillos del DW888, destornille las tapas de plástico de inspección del cepillo (ubicadas en los lados de la caja del motor) y retire las unidades de resorte y cepillo de la herramienta. Mantenga los cepillos limpios y pudiendo desplazarse libremente en sus guías. Los cepillos de carbono tienen diversos símbolos estampados en sus lados, y si el cepillo se ha desgastado hasta la línea más cercana al resorte, el cepillo deberá ser cambiado. Podrá encontrar unidades de cepillos nuevas en su centro local de servicio.

Accesorios

⚠ ADVERTENCIA: *Debido a que no se han probado con este producto otros accesorios que no sean los que ofrece DEWALT, el uso de dichos accesorios con esta herramienta podría ser peligroso. Para reducir el riesgo de lesiones, con este producto deben usarse sólo los accesorios recomendados por DEWALT.*

Los accesorios que se recomiendan para utilizar con la herramienta están disponibles a un costo adicional en su distribuidor local o en un centro de mantenimiento autorizado. Si necesita ayuda para localzar algún accesorio, póngase en contacto con DEWALT Industrial Tool Co., 701 East Joppa Road, Baltimore, MD 21286, llame al 1-800-4-DEWALT (1-800-433-9258) o visite nuestro sitio Web: www.dewalt.com.

⚠ ADVERTENCIA: *Para reducir el riesgo de lesiones, USE SIEMPRE las protecciones adecuadas al esmerilar y gafas protectoras.*

⚠WARNING: *Handle and store all abrasive wheels carefully to prevent damage from thermal shock, heat, mechanical damage, etc. Store in a dry protected area free from high humidity, freezing temperatures or extreme temperature changes.*

ACCESORIOS PARA ESMERILADORAS DE TROQUEL

Piedras montadas, punta, discos con aleta y discos de corte.

Reparaciones

Para asegurar la SEGURIDAD y la CONFIABILIDAD del producto, las reparaciones, el mantenimiento y los ajustes deben (inclusive inspección y cambio de carbones) ser realizados en un centro de mantenimiento en la fábrica DEWALT, en un centro de mantenimiento autorizado DEWALT u por otro personal de mantenimiento calificado. Utilice siempre piezas de repuesto idénticas.

PARA REPARACIÓN Y SERVICIO DE SUS HERRAMIENTAS ELÉCTRICAS, FAVOR DE DIRIGIRSE AL CENTRO DE SERVICIO MÁS CERCANO	
CULIACAN, SIN	
Blvd.Emiliano Zapata 5400-1 Poniente	
Col. San Rafael	(667) 717 89 99
GUADALAJARA, JAL	
Av. La Paz #1779 - Col. Americana Sector Juárez	(33) 3825 6978
MEXICO, D.F.	
Eje Central Lázaro Cárdenas No. 18	
Local D, Col. Obrera	(55) 5588 9377
MERIDA, YUC	
Calle 63 #459-A - Col. Centro	(999) 928 5038
MONTERREY, N.L.	
Av. Francisco I. Madero 831 Poniente - Col. Centro	(818) 375 23 13
PUEBLA, PUE	
17 Norte #205 - Col. Centro	(222) 246 3714
QUERETARO, QRO	
Av. San Roque 274 - Col. San Gregorio	(442) 2 17 63 14
SAN LUIS POTOSI, SLP	
Av. Universidad 1525 - Col. San Luis	(444) 814 2383
TORREON, COAH	
Blvd. Independencia, 96 Pte. - Col. Centro	(871) 716 5265
VERACRUZ, VER	
Prolongación Díaz Mirón #4280 - Col. Remes	(229) 921 7016

VILLAHERMOSA, TAB

Constitución 516-A - Col. Centro

(933) 312 5111

PARA OTRAS LOCALIDADES:

Si se encuentra en México, por favor llame al (55) 5326 7100

Si se encuentra en U.S., por favor llame al 1-800-433-9258 (1-800 4-DEWALT)

Póliza de Garantía

IDENTIFICACIÓN DEL PRODUCTO:

Sello o firma del Distribuidor.

Nombre del producto: _____ Mod./Cat.: _____

Marca: _____ Núm. de serie: _____

(Datos para ser llenados por el distribuidor)

Fecha de compra y/o entrega del producto: _____

Nombre y domicilio del distribuidor donde se adquirió el producto:

Este producto está garantizado por un año a partir de la fecha de entrega, contra cualquier defecto en su funcionamiento, así como en materiales y mano de obra empleados para su fabricación. Nuestra garantía incluye la reparación o reposición del producto y/o componentes sin cargo alguno para el cliente, incluyendo mano de obra, así como los gastos de transportación razonablemente erogados derivados del cumplimiento de este certificado.

Para hacer efectiva esta garantía deberá presentar su herramienta y esta póliza sellada por el establecimiento comercial donde se adquirió el producto, de no contar con ésta, bastará la factura de compra.

EXCEPCIONES

Esta garantía no será válida en los siguientes casos:

- Cuando el producto se hubiese utilizado en condiciones distintas a las normales;
- Cuando el producto no hubiese sido operado de acuerdo con el instructivo de uso que se acompaña;
- Cuando el producto hubiese sido alterado o reparado por personas distintas a las enlistadas al final de este certificado.

Anexo encontrará una relación de sucursales de servicio de fábrica, centros de servicio autorizados y franquiciados en la República Mexicana, donde podrá hacer efectiva su garantía y adquirir partes, refacciones y accesorios originales.

Registro en línea

Gracias por su compra. Registre su producto ahora para:

- SERVICIO EN GARANTÍA:** Si completa esta tarjeta, podrá obtener un servicio en garantía más eficiente, en caso de que exista un problema con su producto.
- CONFIRMATCIÓN DE PROPIEDAD:** En caso de una pérdida que cubra el seguro, como un incendio, una inundacion o un robo, el registro de propiedad servirá como comprobante de compra.
- PARA SU SEGURIDAD:** Si registra el producto, podremos comunicarnos con usted en el caso improbable que se deba enviar una notificación de seguridad conforme a la Federal Consumer Safety Act (Ley Federal de Seguridad de Productos para el Consumidor).

Registro en línea en www.dewalt.com/register.

Garantía limitada por tres años

DEWALT reparará, sin cargo, cualquier falla que surja de defectos en el material o la fabricación del producto, por hasta tres años a contar de la fecha de compra. Esta garantía no cubre fallas de las piezas causadas por su desgaste normal o abuso a la herramienta. Para mayores detalles sobre la cobertura de la garantía e información acerca de reparaciones realizadas bajo garantía, visítenos en www.dewalt.com o diríjase al centro de servicio más cercano. Esta garantía no aplica a accesorios o a daños causados por reparaciones realizadas o intentadas por terceros. Esta garantía le otorga derechos legales específicos, además de los cuales puede tener otros dependiendo del estado o la provincia en que se encuentre.

Además de la garantía, las herramientas DEWALT están cubiertas por:

1 AÑO DE SERVICIO GRATUITO

DEWALT mantendrá la herramienta y reemplazará las piezas gastadas por su uso normal, sin cobro, en cualquier momento durante un año a contar de la fecha de compra. Los artículos gastados por la clavadora, tales como la unidad de hoja y retorno del impulsador, no están cubiertas.

GARANTÍA DE REEMBOLSO DE SU DINERO POR 90 DÍAS

Si no está completamente satisfecho con el desempeño de su máquina herramienta, láser o clavadora DEWALT, cualquiera sea el motivo, podrá devolverlo hasta 90 días de la fecha de compra con su recibo y obtener el reembolso completo de su dinero – sin necesidad de responder a ninguna pregunta.

AMÉRICA LATINA: Esta garantía no se aplica a los productos que se venden en América Latina. Para los productos que se venden en América Latina, debe consultar la información de la garantía específica del país que viene en el empaque, llamar a la compañía local o visitar el sitio Web a fin de obtener esa información.

REEMPLAZO GRATUITO DE LAS ETIQUETAS DE ADVERTENCIAS: Si sus etiquetas de advertencia se vuelven ilegibles o faltan, llame al 1-800-4-DEWALT (1-800-433-9258) para que se le reemplacen gratuitamente.

<p>DWXXX 1 1/2" (38mm) DIE GRINDER</p> <p>SER.</p>	<p>⚠ ADVERTENCIA PARA EL MANEJO SEGURO LEA EL MANUAL DE INSTRUCCIONES.</p> <p>UTILICE SIEMPRE LAS GUARDAS APROPIADAS. UTILICE SIEMPRE LA PROTECCIÓN ADECUADA PARA LA VISTA Y PARA LAS VÍAS RESPIRATORIAS. UTILICE SÓLO ACCESORIOS CALIFICADOS PARA UTILIZAR A LA VELOCIDAD MÁXIMA MARCADA EN LA HERRAMIENTA, COMO MÍNIMO.</p> <p>⚠ AVERTISSEMENT</p> <p>À TITRE PRÉVENTIF, LIRE LE GUIDE. TOUJOURS UTILISER LES PROTECTEURS APPROPRIÉS. TOUJOURS PORTER DE L'ÉQUIPEMENT DE PROTECTION OCULAIRE ET RESPIRATOIRE APPROPRIÉ. UTILISER EXCLUSIVEMENT DES ACCESSOIRES DONT LA VITESSE NOMINALE EST ÉQUIVALENTE OU SUPÉRIEURE À CELLE RECOMMANDÉE SUR L'ÉTIQUETTE D'AVERTISSEMENT DE L'OUTIL.</p>
<p>⚠ WARNING TO REDUCE THE RISK OF INJURY, USER MUST READ INSTRUCTION MANUAL. ALWAYS USE PROPER GUARDS WHEN GRINDING AND WEAR EYE PROTECTION. ALWAYS USE PROPER RESPIRATORY PROTECTION. USE ONLY ACCESSORIES RATED AT LEAST EQUAL TO THE MAXIMUM SPEED MARKED ON THE TOOL.</p> <p>DEWALT INDUSTRIAL TOOL CO., BALTIMORE, MD 21286 USA FOR SERVICE INFORMATION, CALL 1-800-4-DEWALT www.DEWALT.com</p>	
ESPECIFICACIONES	
DWE4887, DWE4887N	
Tensión de alimentación:	120 V AC/DC (~ ===)
Consumo de corriente:	4,2 A
Frecuencia de operación:	50/60 Hz
Potencia nominal:	450 W
Rotación sin carga:	25 000 rpm
DW888	
Tensión de alimentación:	120 V AC/DC (~ ===)
Consumo de corriente:	5,0 A
Frecuencia de operación:	50/60 Hz
Potencia nominal:	485 W
Rotación sin carga:	19 000 rpm
	SOLAMENTE PARA PROPÓSITO DE MÉXICO: IMPORTADO POR: DEWALT INDUSTRIAL TOOL CO. S.A. DE C.V. AVENIDA ANTONIO DOVALI JAIME, # 70 TORRE B PISO 9 COLONIA LA FE, SANTA FÉ CÓDIGO POSTAL : 01210 DELEGACIÓN ALVARO OBREGÓN MÉXICO D.F. TEL. (52) 555-326-7100 R.F.C.: BDE810626-1W7
	Para servicio y ventas consulte "HERRAMIENTAS ELECTRICAS" en la sección amarilla.
	