

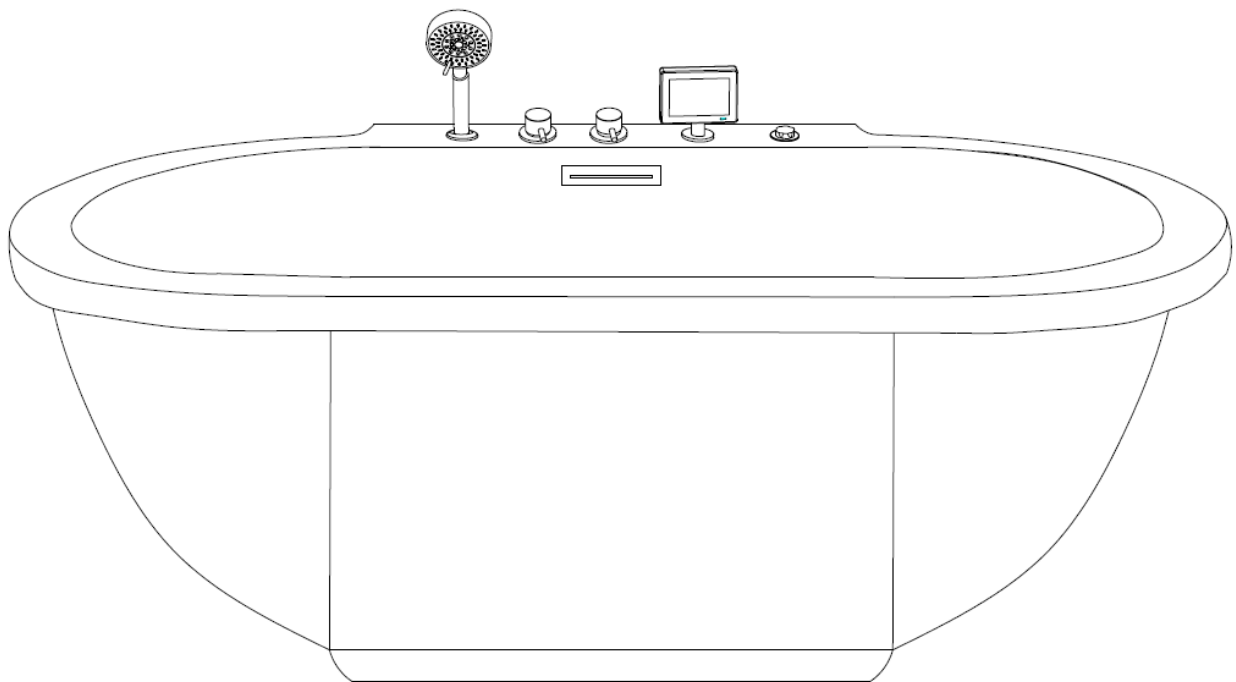
**ARIEL**

---

# Whirlpool User Manual

**ARIEL**

**AM128**



Serial Number:

---

**Foreword:**

This manual is for use with all AM-series Whirlpool Bathtubs. This user manual describes general safety procedures, operating instructions, and basic maintenance. Please take your time to read this manual in its entirety before installation and before using this product. Please save this manual for future reference.

**Important Note to Installer/Customer:**

Please check the labeling on each package to ensure it matches the item description you have ordered. Also visually inspect each package upon delivery to ensure there are no damages. Upon delivery, if there are any damages to the packaging, it is required to immediately and thoroughly inspect the contents of that package. All damages must be noted on delivery receipt before accepting and signing for any shipment. Any damages should be photographed and must be reported directly to your place of purchase.

**Precautions:**

1. Do not allow children use any bathtub without the supervision of an adult. This appliance is not intended for use by any persons (including children) with reduced physical, sensory or mental capabilities, or lack of experience and knowledge, unless they have been given supervision or adequate instructions concerning use of this appliance by a person responsible for their safety, and at their discretion.  
**Be aware of the possibility that children can drown and always have supervision.**  
**Be aware of the possibility that long hair can be sucked into the water suction port. This could lead to injuries.**
2. Exposure to extreme temperatures could potentially cause pregnancy complications. Consult your doctor before use.
3. Avoid the use of drowsy medication, alcohol or drugs with the use of this product; such usage may lead to possible unconsciousness, heat stroke, drowning or increased risk of fatality.
4. Persons using any medication should consult a doctor before using this product, as some medications can cause drowsiness, affect heart rate, blood pressure or blood circulation.
5. Persons with a medical history of heart problems, blood circulation, high or low blood pressure, obesity, diabetes or similar health concerns should consult your doctor before using this product.
6. Excessive use of this product can lead to heatstroke. Heatstroke occurs when the body loses its ability to regulate a normal temperature range. Elevated body temperatures can cause such symptoms as dizziness, drowsiness, unconsciousness and heatstroke. Heatstroke can lead to the possibility of 1) the loss of awareness to normally perceived dangers, 2) the loss of sound judgment for the need to stop using this product, 3) the loss of sensitivity to dangerous temperatures, 4) the loss of the ability to stand, balance, walk or exit this product, 5) if pregnant, potential fetal damage, 6) unconsciousness. Unconsciousness can lead to the possibility of drowning.
7. An electrical protective device for an overload of power, short-circuit or incorrect voltage must be used in conjunction with this product. It must be properly functioning and regularly tested for proper functioning.
8. Do not use any other electrical devices in or near this product. Very low voltage items without a power cord may be considered. Consult your licensed electrician.
9. If any wires, cords or plumbing are damaged, it must be repaired by a qualified professional to avoid risk.
10. Measurements, specifications, and local building codes should be reviewed by a licensed professional before purchase.

**General:**



**Warnings!**

Never lift the whirlpool tub by, or apply heavy pressure to, the critical parts such as the jet plumbing, jets, electrical cables, hoses, and drain hose or similar components.

It is recommended to install this product in such a way that the critical components are easily accessible, or with an access panel. This will ensure any potential repair cost will be kept at a minimum.

**Before Installation:**

1. Ensure electrical connections, water supply lines and waste connections are both compatible with this product, and their installation completed and ready for connection the before installation of this product. Review the specifications within this document, other documentation supplied, specifications listed on the packaging of this product, and technical specifications listed on the individual components. If there are any further questions contact your place of purchase. The (optional) drain hose size is 40mm (1.5-inches); the water inlet connections with (optional) hoses are ½-inch National Pipe Thread (NPT/FIP/MIP).
2. Before connecting the water supply lines, briefly flush the water lines to free any loose particles that may have built up throughout the years, or may have fallen in during new construction.
3. Ensure the water supply lines for this product has its own dedicated water shutoff valves installed in an accessible location.
4. Ensure there is access to and enough space to connect, adjust or fasten the various supply lines, waste line and other components.
5. After extracting the product and parts from the packaging, check that all parts are complete and that there are no visible errors, missing parts, or damages. Any damages are required to be reported within 72-hours of delivery.
6. Bathtubs are already leak tested from the factory, but should always be leak tested again after shipping.
7. Computerized systems and electrical components are already function tested from the factory, but should always be tested again before installation.

**Installation Instructions:**

1. Be sure to check each installation step with this manual to ensure the product is installed correctly. The product must be installed with all the feet or supportive legs touching the floor before any use. Leveling the product is an important procedure and must be completed on-site, .... on the installation surface and final installation position.
2. Only a professional electrician is recommended to work on the electrical portions of installation and testing.
3. Electrical service must meet the requirements listed on the components of the product, listed within this manual, or otherwise advised based on a thorough analysis of any special circumstances.
4. An electrical protection device for short-circuits, power overloads or incorrect voltage must be installed and used in conjunction with this product.
5. Do not cut or extend electrical wires or power-cord of the product without the approval of a professional electrician and warranty service representative.
6. Do not disassemble the control panel or computer controller as it is not designed for disassembly. Defects, damages or shock caused by such removal cannot be the responsibility of the supplier or its distributors.
7. Local standards and codes must be followed and cannot be the responsibility of the supplier or its distributors.
8. The motor must be grounded with wire not less than 1.63mm-diameter (14awg) or otherwise required in accordance to local codes.
9. Appliances or components with ground or "earth" connections must be installed and used in conjunction with the product, and connected in accordance to local codes.
10. Other electrical components, except the remote control device (optional), should be kept, located or affixed away from the product, so they cannot fall into the bath, while in use.
11. This product or any appliance used near this product must be used in conjunction with a Ground Fault Circuit Interrupter ("G.F.C.I." or "G.F.I.") or Residual Current Device ("R.C.D.") with a trip current of not greater than 30mA or otherwise required in accordance to local codes.
12. Always double-check all connections to ensure for proper installation, tension, and connection, including parts, plugs, hoses, nuts, screws, wires, etc.
13. Check local and national requirements before installing or purchasing this product.
14. "H" hot (red) and "C" cold (blue) water supply connections and their orientation are critical to proper function of this product.
15. Ensure the (optional) "H" hot (red) and "C" cold (blue) water hoses will not touch the floor when this product is fully installed, as it may cause rusting and possibly weakening of those hoses.
16. Harsh chemicals such as acetone, ammonia or gasoline can possibly dissolve or damage portions of this product – do not use such chemicals for cleaning or installing this product.
17. Do not stack anything on top of this product, use it for support, or apply any extreme pressure to critical areas that may cause misalignment or damage; take special care when moving this product.

**After Installation:**

1. Before supplying any power to the product, you should inspect the power cables to ensure the power leads are properly connected.
2. After installation and before starting the product for the first time, you should inspection all the connections to ensure they are properly connected; including parts, plugs, hoses, nuts, screws, wires, etc.
3. After you have fully installed the unit and made all the inspections to ensure the unit can function safely, fully clean the unit inside and out to ensure the unit is ready for usage, and also to check for any potential lose debris that may have fallen into any of the plumbing. After a thorough visual inspection, close the drain and fill the tub up to the overflow drain, submerging all the jets underwater. If any debris floats out, remove it. The whirlpool system will not run unless the water-level sensor is fully submerged underwater. The water-level sensor is placed above the water line of the water jets.
4. Turn-on the whirlpool system and operate it for a minimum of 10-minutes. Then turn-off the whirlpool system and without draining it, allow it to sit for a minimum of 10-minutes. Now check all the plumbing, pipe works, hoses, joints, threads and any other connections for any leaks. If there are any adjustments made, restart this test and review all the connections again.
5. You must ensure the product works as it normally would: immediately test all functions of the product to possibly find any errors. After testing, place the tub against the wall(s) and seal the wall joints with an acid-free caulking agent and then allow it to cure sufficiently before any further use.

**Important Note:**

It is not generally recommended to use bath oils in whirlpool bathtubs, as the oil residue can stick to the side walls of the tub and plumbing.

**The Display:**



Power Standby Button  
Used to turn on/off the computerized system.



Color Changing Lights Button  
Used to turn on the tub light and change the brightness.



Channel Memory Button  
Used to change the user-preset channels on the radio feature.



Water Jet Button  
Used to turn on/off the water jet feature.



Music Button  
Used to turn on/off the radio feature, and also cycle between the Radio & Bluetooth functions.



Light Brightness Button  
Used to change the intensity or brightness of the tub light feature.



Parameter Setting Button  
Used to change the function of a feature; used in conjunction with Volume/Parameter "UP" & "DOWN" buttons



Volume/Parameter "UP" Button  
To turn up the volume or change the value of a parameter upward; used in conjunction with the "Parameter Setting" button.



Volume/Parameter "DOWN" Button  
To turn down the volume or change the value of a parameter downward; used in conjunction with the "Parameter Setting" button.

**Turn on/off the Display:**



This system remains on “standby” when power is supplied to the whirlpool system.

1. If the system is in “standby” mode, the 'Power Standby' on/off icon will be partially visible on the dark screen. On standby, if any portion of the screen is touched the backlight will display at 50% strength. To activate the system, on the display, press and hold the 'Power Standby' button for 3-seconds. When the unit is first activated the current temperature (°C) will display on the screen. The temperature sensor is located below the overflow drain knob.
2. There is a 2-hour timer programmed into this system, all functions will automatically turn off and the system will go into “standby” mode, 2-hours from system activation.
3. To turn off all functions of the system, placing the unit in standby, press the 'Power Standby' button on the display.

**Water Jet Feature:**



The water pump and features directly related to the whirlpool system only work when the water level inside the tub is above the water-level sensor. The water-level sensor is hidden behind the tub wall. This system has two sensors; the other sensor is the temperature sensor. The temperature sensor is visible from inside the tub, usually underneath the overflow drain knob (depending on model).

Press the 'Water Jet' button to activate the water pump and also unlock the other [optional] whirlpool features. If the water level inside the tub is not above the water-level sensor, the 'Water Jet' icon will flash and the other [optional] whirlpool features will remain locked. If the water jet feature is turned on but the water is not yet at a safe level, the whirlpool feature will automatically turn on when the water reaches an appropriate level. The default operating time for the water jets is set for 20-minutes. If the water jet feature and air bubble feature are both activated, but at different times, both features will still automatically turn off at 20-minutes. To stop the 'Water Jet' feature, press the 'Water Jet' icon for 2-seconds. You will see “OFF” flash on the display.

**Underwater Color Light:** C = Color      Color: 1 ~ 7



The underwater tub light has color and intensity adjustments. Press the 'Color Changing Lights' button to turn on the underwater lights.



The light color is white, first (C=1); to change the intensity of the light, press the 'Color Changing Lights' button again to the next brightness setting; press again to the next brightness setting; press again to turn off; there are 3 color brightness settings and an “OFF” setting; a cycle of 4-positions in total.



To change the color of the light, while the light function is on, press the 'Parameter Setting' button, and then press the 'Parameter UP' or 'DOWN' buttons; the light function will cycle through 7 settings: “C=1” to “C=7”.

**Brightness Underwater Light:** B = Brightness      Brightness: 1 ~ 3



Another way to adjust the tub light intensity, while the light function is on, press the 'Light Brightness' button, and then press the 'Parameter UP' or 'DOWN' buttons: “B=1” to “B=3”.

**Music Feature:** Radio / Bluetooth



While the computer system is on, press the Music button to activate either the FM radio or Bluetooth functions. When the radio function is selected, a “3 dB” will first show on the display panel, indicating a volume adjustment; to adjust the volume, press the Volume/Parameter “UP” or “DOWN” buttons until desired volume is achieved. The volume adjustments span from “0” to “19” “dB” (“3 dB”



being default). After 5-seconds the display will change to a frequency reading, indicating a frequency adjustment; to adjust the frequency, press the Volume/Parameter “UP” or “DOWN” buttons until desired frequency is found. The system will automatically use the last frequency selected when the radio function is used again.



To search for a new radio channel, while the radio function is in the frequency mode, press and hold either the Volume/Parameter “UP” or “DOWN” button for 2-seconds, and it will automatically search for the next radio station with a strong/steady signal. To program a frequency into the channel memory, press the Channel Memory button; “CH=1” will display on the screen; use the Volume/Parameter “UP” or “DOWN” buttons to select different channel numbers (1-10); press the Channel Memory button again to save the frequency to the channel number of your selection. To select between the preset memory channels, while the radio is functioning, press the Memory button, then press the Set button, and then use the Volume/Parameter “UP” or “DOWN” buttons.



To select the Bluetooth function, press the Music button again, cycling past Radio feature. The Bluetooth symbol will appear on the upper portion of the display, and “bt” near the center of the display. When first turned on, the Bluetooth feature will scan for an audio source Bluetooth device; use your audio source Bluetooth device to scan and “pair” the connection.

The Bluetooth system is named “**Whirlpool**”; the password is “**1234**”. When the Bluetooth systems “pair”, the Bluetooth feature will chime, indicating they have successfully connected.



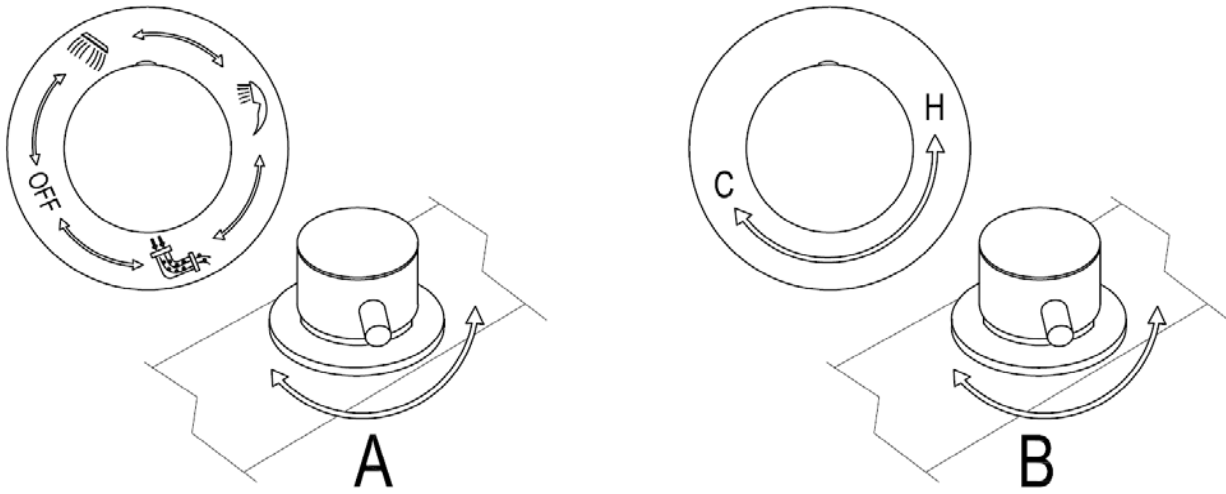
The Bluetooth feature will only play audio output, and will not accept vocal input. If there is an incoming or outgoing call during music streaming, the music will automatically stop playing, and will automatically continue when the call is ended. To deactivate the Bluetooth feature, press the Music button to cycle the radio feature into the ‘off’ position.

Once a Bluetooth device has been “paired” the system will automatically connect when both Bluetooth devices are activated. If there is more than one device “paired” to the system, the system will randomly choose one of the devices. If the system automatically connects to an undesired “paired” device, deactivate the Bluetooth function by pressing the Music button, then press and hold the Music button for 3-seconds, and then the Bluetooth symbol will start to flash and the system will be placed in scan mode.

Turn off and on the Bluetooth function or open Bluetooth function on the device for connection and pairing with the “Whirlpool”.

Sound volume can adjust using the parameter setting buttons set into 9 different volume levels.

**Faucet Operation:**



**A: Selector Valve (clock-wise)**

- OFF-position
- Waterfall faucet
- Handheld shower wand
- Jet-plumbing

**B: Temperature Valve**

- H = Hotter. Rotate in the direction of the arrow.
- C = Colder. Rotate in the direction of the arrow.

**Air Bubble Regulator Valve:**

This valve is used to control the amount of air bubbles in the Water Jet feature.



**Maintenance:**

- The drain can be clogged by hair or soap scum and should be cleaned regularly.
- Poor maintenance, infrequent, or irregular cleaning can cause damage to the faucets or jets.
- When cleaning the chrome parts, do not use cleaning compounds or instruments with abrasives or harsh chemicals. Do not try to remove stains with hard objects, such as blades or screwdrivers.
- When cleaning the acrylic surfaces of the bathtub, use a soft sponge and a detergent without ammonia, acetone or other harsh chemicals, to prevent surfaces from getting dulled or damaged.
- Dulled surfaces can be refinished with an acrylic polishing compound (follow instructions of polishing compound); first test on a non-visible surface area.
- Consider cleaning the whirlpool features monthly with a whirlpool cleaning solution from your local hardware store. Follow the instructions of the whirlpool cleaning solution. If not cleaned regularly you may notice black flakes in the bath – if this happens you should clean the whirlpool system. Consider cleaning the whirlpool system with whirlpool cleaning solution repeatedly until the black flakes disappear. Soap scum, hair, dead skin, skin care products, oil, grease and/or bacteria can contaminate your whirlpool system, it is important to clean regularly.
- Consider cleaning the whirlpool system using a cup of chlorine bleach (sodium hypochlorite) and the minimum amount of warm or hot water to activate the (water-level sensor) whirlpool system, in between regular cleanings with whirlpool cleaning solution. Thoroughly flush and rinse the bathtub and whirlpool system before use. (This is not meant as a substitute for whirlpool cleaning solution)

**Warning:** the use of cleaning materials other than those recommended by the manufacturer can result in damage to the bathtub, whirlpool apparatus, or other hardware.

**Warning:** Any service, adjustment or repair is only recommended by an experienced professional. Only consider a licensed professional for all installation, servicing or repair work.



**Technical Parameters:**

Electrical Operational Parameters				
Rated voltage	AC110V~120V	Rated frequency	60HZ	
Rated current	10.2A	Rated power	1125W	
Recommended Power Service	GFCI-Protected 15A	Waterproof level	IPX5	
Insulating resistance	>20M			
Component Parameters				
Type of Load	Rated Load Voltage	Rated Load Frequency	Rated Load Power	
Water pump	AC110V~120V	60HZ	990W	
Lighting	AC12V		7W	
Speaker			8Ω/10W	

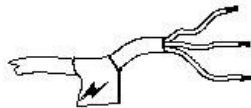
**Test Standard:**



1. The requirements for this appliance to be connected to water and electrical are:

- The maximum inlet water pressure is 0.5 mPa (5 bars / 72.5 psi)
- The minimum inlet water pressure is 0.1 mPa (1 bar / 14.5 psi), This is necessary for the correct operation of the appliance.

2. This appliance must be connected using a Residual Current Device (RDC) or Ground-Fault Circuit Interrupter (GFCI/GFI).



- ← "L" = Live = Black or Brown
- ← "N" = Neutral = White or Blue
- ← "G" = Earth-Ground = Green or Yellow

- Maximum hot water temperature: 80°C (176°F).

Do not trash. Keep these instructions for future reference.

Some features explained within this user guide maybe optional and/or may not be applicable for your specific model.