

# REFRIGERATOR

## *use & care*

Introduction.....	2	Automatic Ice and Water Dispenser.....	18
Important Safety information.....	3	Storage Features.....	20
Features .....	5	Normal Operating Sounds.....	21
Installation .....	6	Filter Replacement .....	22
Door Removal .....	9	Care and Cleaning .....	24
Door Handle Installation.....	11	Troubleshooting .....	26
Water Supply Connection.....	12	Limited Warranty .....	30
Controls and Settings .....	14		

## Welcome to our family

Thank you for bringing Frigidaire into your home! We see your purchase as the beginning of a long relationship together.

This manual is your resource for the use and care of your product. Please read it before using your appliance. Keep it handy for quick reference. If something doesn't seem right, the troubleshooting section will help you with common issues.

FAQs, helpful tips and videos, cleaning products, and kitchen and home accessories are available at [Frigidaire.com](http://Frigidaire.com).

We are here for you! Visit our website, chat with an agent, or call us if you need help. We may be able to help you avoid a service visit. If you do need service, we can get that started for you.

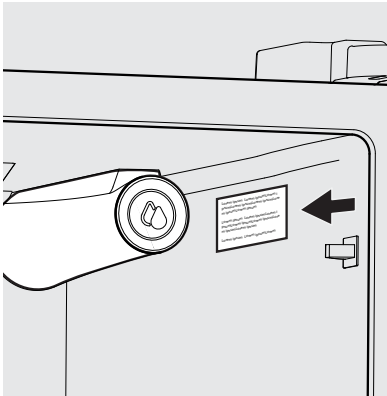
Let's make it official! Be sure to register your product.

Keep your product info here so it's easy to find.

Model Number \_\_\_\_\_

Serial Number \_\_\_\_\_

Purchase Date \_\_\_\_\_



Serial Number Location



## Installation Checklist

### Doors

- Handles are secure and tight
- Door seals completely to cabinet on all sides
- Doors are level with each other.

### Leveling

- Appliance is level side-to-side and tilted 1/4" (6 mm) front-to-back
- Toe grille is properly attached.
- Cabinet is level on the floor.

### Electrical Power

- House power turned on
- Appliance is plugged in

### Ice Maker

- House water supply connected to appliance
- No water leaks present at all connections - recheck in 24 hours
- Ice maker is turned ON
- Ice & water dispenser operates correctly

### Final Checks


- Shipping material removed
- Refrigerator and freezer temperatures set to recommended setting
- Crisper humidity controls set (some models)
- Registration card sent in



## WARNING

Please read all instructions before using this appliance.

### Safety Definitions

 This is the safety alert symbol. It is used to alert of potential personal injury hazards. Obey all safety messages that follow this symbol to avoid possible injury or death.



## DANGER

DANGER indicates an imminently hazardous situation which, if not avoided, will result in death or serious injury.



## WARNING

WARNING indicates a potentially hazardous situation which, if not avoided, could result in death or serious injury.



## CAUTION

CAUTION indicates a potentially hazardous situation which, if not avoided, may result in minor or moderate injury.



## IMPORTANT

IMPORTANT indicates installation, operation or maintenance information which is important but not hazard-related.



## DANGER



DANGER Risk of fire or explosion. Flammable refrigerant used. Do not use mechanical devices to defrost refrigerator. Do not puncture refrigerant tubing.

DANGER Risk of fire or explosion. Flammable refrigerant used. To be repaired only by trained service personnel. Use only manufacturer-authorized service parts. Any repair equipment used must be designed for flammable refrigerants. Follow all manufacturer repair instructions. Do not puncture refrigerant tubing.



## CAUTION



CAUTION Risk of fire or explosion. Dispose of refrigerator properly in accordance with the applicable federal or local regulations. Flammable refrigerant used.

CAUTION Risk of fire or explosion due to puncture of refrigerant tubing. Follow handling instructions carefully. Flammable refrigerant used.



## WARNING

**CALIFORNIA RESIDENTS ONLY**  
**Cancer and Reproductive Harm**  
[www.P65Warnings.ca.gov](http://www.P65Warnings.ca.gov)

### Child Safety

This appliance is not intended for use by persons (including children) with reduced physical, sensory or mental capabilities, or lack of experience and knowledge, unless they have been given supervision or instruction concerning use of the appliance by a person responsible for their safety.

Destroy or recycle the carton, plastic bags, and any exterior wrapping material immediately after the appliance is unpacked. Children should **NEVER** use these items to play. Cartons covered with rugs, bedspreads, plastic sheets or stretch wrap may become airtight chambers, and can quickly cause suffocation.

### Safety Instructions

- DO NOT store or use gasoline, or other flammable liquids in the vicinity of this or any other appliance. Read product labels for warnings regarding flammability and other hazards.
- DO NOT operate the unit in the presence of explosive fumes.
- Avoid contact with any moving parts of automatic ice maker.
- Remove all staples from the carton. Staples can cause severe cuts, and also destroy finishes if they come in contact with other appliances or furniture.

# 4

## IMPORTANT SAFETY INFORMATION

### Proper Disposal of your Appliance

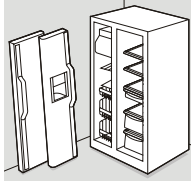
#### Risk of child entrapment

Child entrapment and suffocation are not problems of the past. Junked or abandoned appliances are still dangerous – even if they will sit for “just a few days”. If you are getting rid of your old unit, please follow the instructions below to help prevent accidents.

We strongly encourage responsible appliance recycling/disposal methods. Check with your utility company or visit [energystar.gov/recycle](http://energystar.gov/recycle) for more information on recycling your old appliance.

#### Before you throw away your appliance:

- Remove doors.
- Leave shelves in place so children may not easily climb inside.
- Have refrigerator removed by a qualified service technician.



bulb to avoid electrical shock. Use a 5-watt or less AC LED light bulb only.

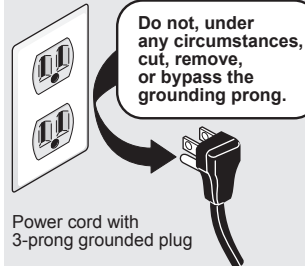
- Performance may be affected if the voltage varies by 10% or more. Operating the appliance with insufficient power can damage the compressor. Such damage is not covered under your warranty.
- Do not plug the unit into an electrical outlet controlled by a wall switch or pull cord to prevent the unit from being turned off accidentally.



### IMPORTANT

Turn off power to your appliance you must unplug the power cord from the electrical outlet.

Grounding type wall receptacle



Power cord with 3-prong grounded plug



### WARNING

These guidelines must be followed to ensure that safety mechanisms in this unit will operate properly.

### Electrical information

- **The appliance must be plugged into its own dedicated 115 Volt, 60 Hz., 15 Amp, AC only electrical outlet.** The power cord of the appliance is equipped with a three-prong grounding plug for your protection against electrical shock hazards. It must be plugged directly into a properly grounded 3-prong receptacle. The receptacle must be installed in accordance with local codes and ordinances. Consult a qualified electrician. Avoid connecting the unit to a Ground Fault Interrupter (GFI) circuit. **Do not use an extension cord or adapter plug.**
- If the power cord is damaged, it should be replaced by an authorized service technician to prevent any risk.
- Never unplug the appliance by pulling on the power cord. Always grip the plug firmly, and pull straight out from the receptacle to prevent damaging the power cord.
- Unplug the unit before cleaning and before replacing the AC LED light



### CAUTION

To avoid personal injury or property damage, handle tempered glass shelves carefully. Shelves may break suddenly if nicked, scratched, or exposed to sudden temperature change.



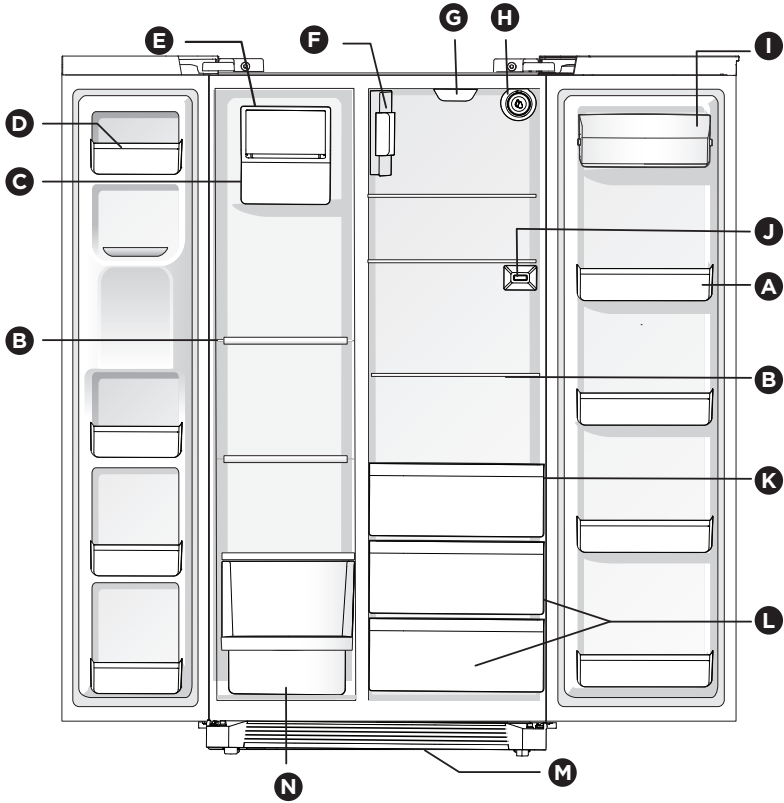
### IMPORTANT

#### CFC/HCFC Disposal

Your old unit may have a cooling system that used CFCs or HCFCs (chlorofluorocarbons or hydrochlorofluorocarbons). CFCs and HCFCs are believed to harm stratospheric ozone if released to the atmosphere. Other refrigerants may also cause harm to the environment if released to the atmosphere.

If you are throwing away your old appliance, make sure the refrigerant is removed for proper disposal by a qualified technician. If you intentionally release refrigerant, you may be subject to fines and imprisonment under provisions of environmental legislation.

\*Features may vary according to model



<b>A</b>	Adjustable Door Bins
<b>B</b>	Shelves
<b>C</b>	Ice Container
<b>D</b>	Fixed Door Bins
<b>E</b>	Ice Maker
<b>F</b>	Damper/Air filter housing
<b>G</b>	Refrigerator LED Light Cover

<b>H</b>	Water Filter
<b>I</b>	Dairy Compartment
<b>J</b>	Temperature Sensor/Thermistor
<b>K</b>	Deli Drawer (some models)
<b>L</b>	Crisper Pan
<b>M</b>	Toe Grille
<b>N</b>	Slide Out Basket



**IMPORTANT**

Accessories are available for your appliance and may be purchased at [Frigidaire.com](http://Frigidaire.com) or by calling 1-800-374-4432 (Frigidaire.ca or 1-800-265-8352 in Canada) or from an authorized seller.

# 6

## INSTALLATION

This Use & Care Guide provides general operating instructions for your model. Use the unit only as instructed in this Use & Care Guide. **Before starting the appliance, follow these important first steps.**

### Location

- Choose a place that is near a grounded electrical outlet. **Do Not** use an extension cord or an adapter plug.
- If possible, place the unit out of direct sunlight and away from the range, dishwasher or other heat sources.
- Install the appliance on a floor that is level and strong enough to support a fully loaded unit.
- Consider water supply availability for models equipped with an automatic ice maker. If you do not hook up water to the appliance, remember to turn the ice maker off.



### CAUTION

**Do Not** install the unit where the temperature will drop below 55°F (13°C) or rise above 110°F (43°C). The compressor will not be able to maintain proper temperatures inside the appliance.

**Do Not** block the toe grille on the lower front of your unit. Sufficient air circulation is essential for the proper operation of your appliance.

### Installation

#### Installation clearances

- Allow the following clearances for ease of installation, proper air circulation, and plumbing and electrical connections:

Sides & Top	3/8"
Back	1".



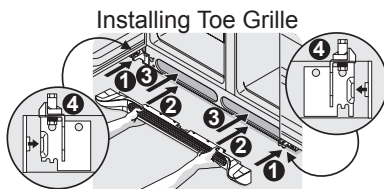
### NOTE

If your unit is placed with the door hinge side against a wall, you may have to allow additional space for the handle so the door can be opened wider.

### Toe Grille Installation and Removal

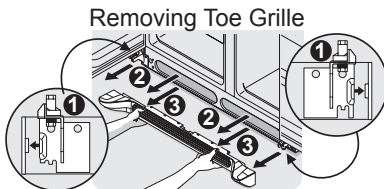
#### To install toe grille

1. Open both doors. Slide the left and right sides of the toe grille over the lower hinges of the appliance.
2. While pushing the toe grille firmly against cabinet, fasten the bottom clips of toe grille to the cabinet.
3. Fasten the top clips to the cabinet.
4. Close the doors. Fasten the right and left side clips into the groove of the bottom hinge.



#### To remove the toe grille

1. With both doors closed, unfasten the right and left side clips of toe grille from the bottom hinge groove.
2. Open both doors. Press firmly on the top of the toe grille until the top of the toe grille pops off.
3. Pull the toe grille outward toward your body and off of the lower hinges.



## Door Opening

### NOTE

The doors are designed to shut by themselves within a 20 degree opening.

Position your unit to allow easy access to a counter or table when removing food. For the best use of drawers and freezer baskets, position the appliance where both doors can fully open.

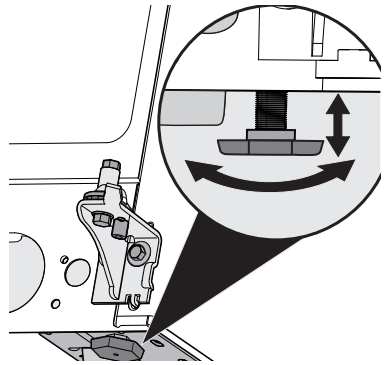
### Guidelines for final positioning of your unit:

- Rest all 4 corners of the cabinet firmly on the floor.
- Level the cabinet at the front and rear.
- Tilt the sides  $\frac{1}{4}$ " (6 mm) from front to back (to ensure the doors close and seal properly).
- Align the doors with each other and level.

Meet all of these conditions by raising or lowering the adjustable front rollers.

To level the cabinet using the front rollers:

1. Open both doors and remove the toe grille (see "**Toe Grille Installation and Removal**" in the **INSTALLATION** section).
2. Close the doors and use a wrench to raise (clockwise) or lower (counterclockwise) the front rollers.



3. Ensure both doors are bind-free with their seals touching the cabinet on all 4 sides.

# 8

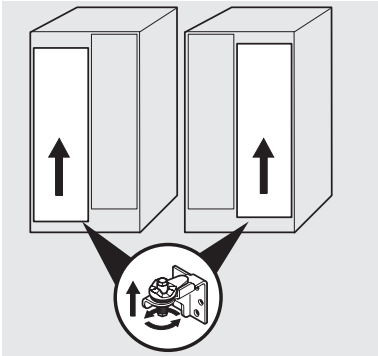
## INSTALLATION

### To level the doors using the adjustable lower hinge:

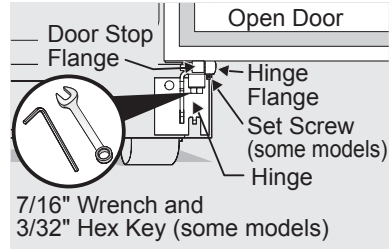
#### NOTE

Some models will not have a set screw. For those models follow steps 2 through 4.

1. Before leveling either door, remove the set screw that locks the door height into position. (The door cannot be adjusted without the set screw removed).
2. If the refrigerator door is lower than the freezer door, raise the refrigerator door by turning the adjustment screw counterclockwise using a  $7/16$ " wrench. (See illustration.)
3. If the freezer door is lower than the refrigerator door, raise the freezer door by turning the adjustment screw counterclockwise using a  $7/16$ " wrench. (See illustration.)

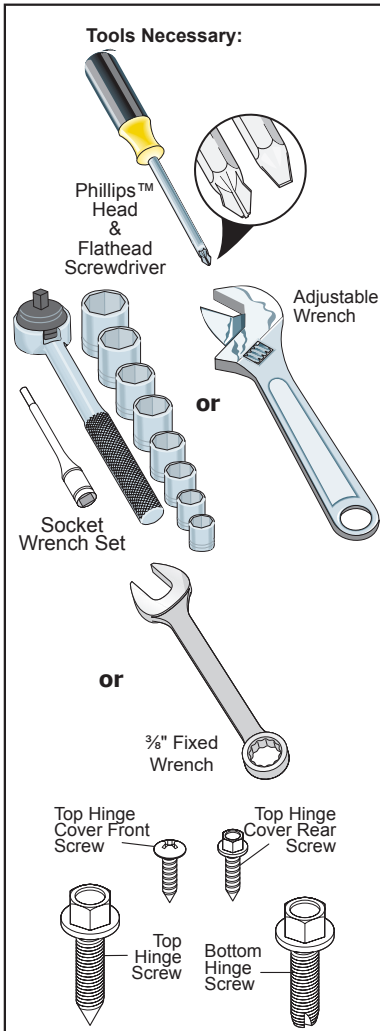


4. After leveling, verify the door stop contacts the lower hinge and the top of the door does not contact the upper hinge through full movement of the door (from fully closed to fully open).



5. Reinstall the set screw, locking the door height.
6. Replace the toe grille by fitting it into place (see **“Toe Grille Installation and Removal”** in the **INSTALLATION** section).



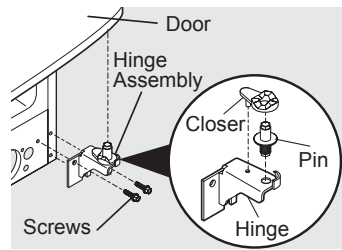
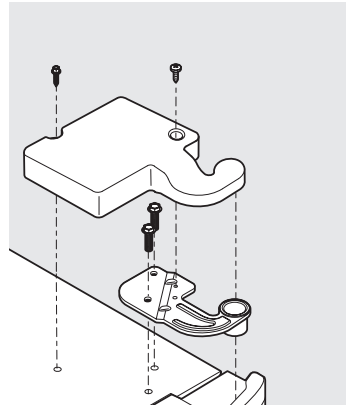


### To prepare for removing the doors:

1. Make sure the electrical power cord is unplugged from the wall outlet.
2. Open both doors and remove the toe grille (as explained in the Installation Instructions that came with your appliance).
3. Remove any food from the door shelves.
4. Close the doors.

### To remove the refrigerator top hinge/cover:

1. Remove the 2 screws from the cover over the top door hinge.
2. Lift hinge cover straight up and off.
3. Trace lightly around the door's top hinge with a pencil. This makes reinstallation easier.
4. Remove the 2 screws from the top hinge and lift the hinge straight up. Lift the door off of the bottom hinge and set it aside.
5. Remove the 2 bottom hinge screws and hinge if necessary.



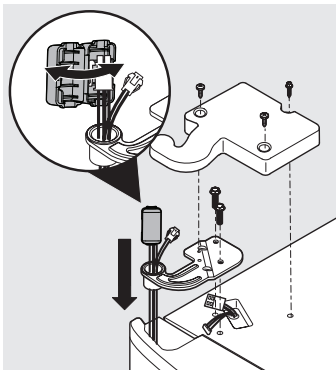
### Adjustable Hinge

To reinstall the refrigerator door, reverse the above steps.

# 10 DOOR REMOVAL

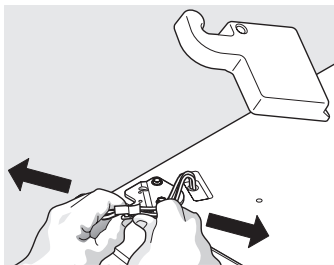
## To remove the freezer top hinge cover:

1. Remove the 2 screws from the cover over the top door hinge.
2. Lift hinge cover straight up and off.



## To remove the freezer door:

1. Remove the connector cover, insert flat blade screwdriver into the snap feature and twist.
2. Disconnect the 2 multi-wire cable connectors located above the top hinge. Grasp both sides of the connector firmly, press the connector lock and pull apart. Remove the ground screw.



3. Trace lightly around the hinge with a pencil. This makes reinstallation easier.
4. Detach the water tube from the connector located below the freezer door. The connector releases when you press its outer sleeve inward.

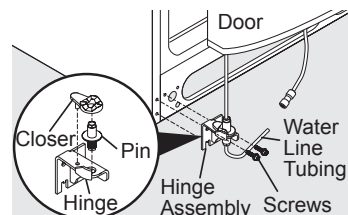
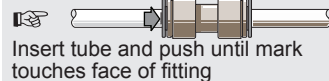
## To Disconnect

1. Press outer ring against face of fitting
2. Pull to remove tube

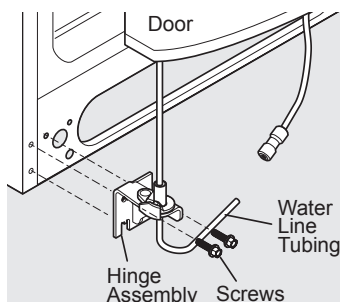


## To Connect

1. Insert tube and push until mark touches face of fitting



## Adjustable Hinge (some models)



## Non-Adjusting Hinge (some models)

5. Remove the 2 screws from the top hinge and lift the hinge straight up, pulling the 2 multi-wire cables through it. Lift the door off of the bottom hinge.
6. Remove the 2 bottom hinge screws and hinge if necessary.
7. Lay the door on its side to avoid damage to the water tube extending from the bottom hinge.

To reinstall the freezer door, reverse the above steps.



## CAUTION

Be sure doors are set aside in a secure position where they cannot fall and cause personal injury.

## DOOR HANDLE INSTALLATION

**CAUTION**

Wear gloves and safety goggles and use extreme CAUTION when installing these handles. The rounded end of the handles may be sharp (some models).

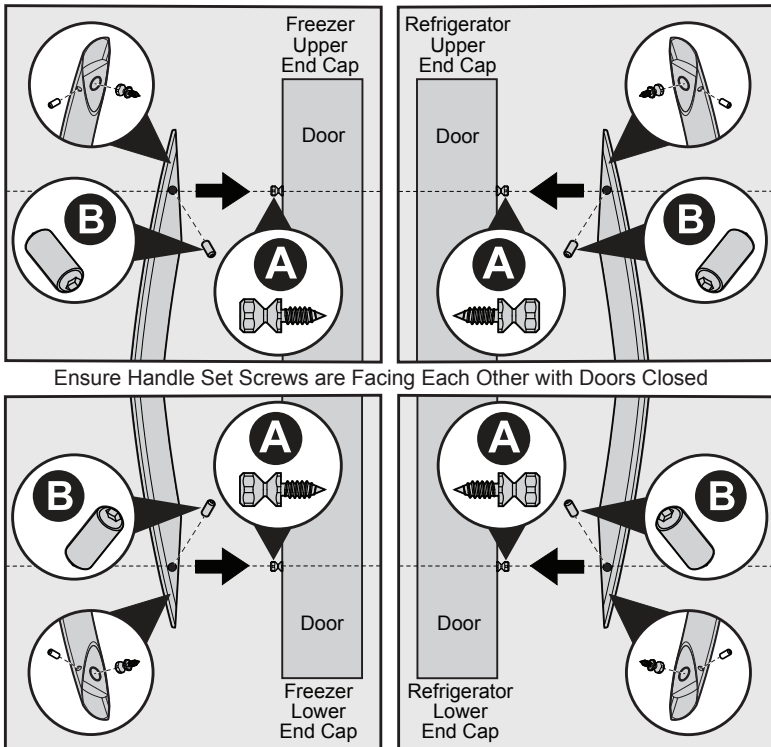
**IMPORTANT**

To ensure proper installation of handles, please review these instructions and illustrations thoroughly prior to installing the handles.

1. Remove handles from carton and any other protective packaging.
2. Position the freezer handle end caps over the upper and lower pre-installed shoulder bolts (A) that are fastened into door, ensuring the holes for the set screws are facing toward the refrigerator door.
3. While holding the handle firmly against door, fasten the upper and lower Allen set screws (B) with the supplied Allen wrench.
4. Repeat steps 2 and 3 to install refrigerator handle. Ensure the holes for the set screws are facing towards the freezer door.

**NOTE**

Tighten and sub-flush all set screws (place the Allen set screw just below the surface of the end cap) of the handle end cap. Draw the end caps tight to the freezer and refrigerator doors with no gaps. To avoid scratching the metal door, keep the door open while torquing down the set screws.



**WARNING**

To avoid electric shock, which can cause death or severe personal injury, disconnect the unit from electrical power source before connecting a water supply line to the appliance.

**CAUTION**

To Avoid Property Damage:

- Use Copper or Stainless Steel braided tubing for the water supply line. Frigidaire does not recommend water supply tubing made of 1/4" plastic. Plastic tubing greatly increases the potential for water leaks, and the manufacturer will not be responsible for any damage if plastic tubing is used for the supply line.
- DO NOT install water supply tubing in areas where temperatures fall below freezing.
- Chemicals from a malfunctioning softener can damage the ice maker. If the ice maker is connected to soft water, ensure that the softener is maintained and working properly.

**IMPORTANT**

Ensure that your water supply line connections comply with all local plumbing codes.

**Before Installing The Water Supply Line, You Will Need:**

- Basic Tools: adjustable wrench, flat-blade screwdriver, and Phillips™ screwdriver
- Access to a household cold water line with water pressure between 30 and 100 psi.
- A water supply line made of 1/4" (6.4 mm) OD, copper or stainless steel tubing. To determine the length of tubing needed, measure the distance from the ice maker inlet valve at the back of the refrigerator to your cold water pipe. Then add approximately 7' (2.1 m), so the refrigerator can be moved out for cleaning.

- A shutoff valve to connect the water supply line to your household water system. DO NOT use a self-piercing type shutoff valve.
- Do not reuse compression fitting or use thread seal tape.
- A compression nut and ferrule (sleeve) for connecting a copper water supply line to the ice maker inlet valve.

**NOTE**

Check with your local building authority for recommendations on water lines and associated materials prior to installing your new refrigerator. Depending on your local/state building codes, Frigidaire recommends for homes with existing valves its Smart Choice® water line kit 5304490728 (with a 6' Stainless Steel Water Line) and for homes without an existing valve, Frigidaire recommends its Smart Choice® water line kit 5304490717 (with a 20' copper water line with self-tapping saddle valve). Please refer to [www.frigidaire.com](http://www.frigidaire.com) for more information.

**To Connect Water Supply Line To Ice Maker Inlet Valve**

1. Disconnect the refrigerator from electrical power source.
2. Place the end of the water supply line into a sink or bucket. Turn ON the water supply and flush the supply line until the water is clear. Turn OFF the water supply at the shutoff valve.
3. Remove the plastic cap from the water valve inlet and discard the cap.
4. **If you use copper tubing** - Slide the brass compression nut, and then the ferrule (sleeve) onto the water supply line. Push the water supply line into the water valve inlet as far as it will go (1/4"/6.4 mm). Slide the ferrule (sleeve) into the valve inlet and finger tighten the compression nut onto the valve. Tighten another half turn with a wrench; DO NOT overtighten. See Figure 1.

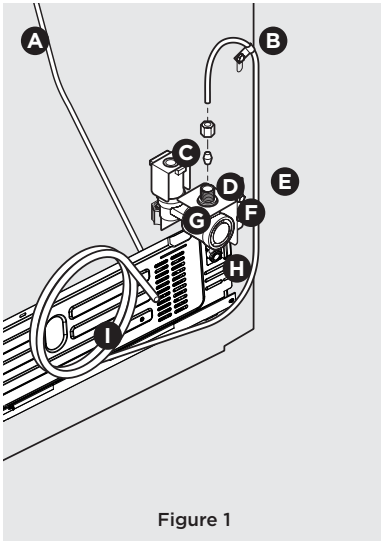


Figure 1

**If you use braided flexible stainless steel tubing** - The nut is already assembled on the tubing. Slide the nut onto the valve inlet and finger tighten the nut onto valve. Tighten another half turn with a wrench; DO NOT overtighten. See Figure 2.

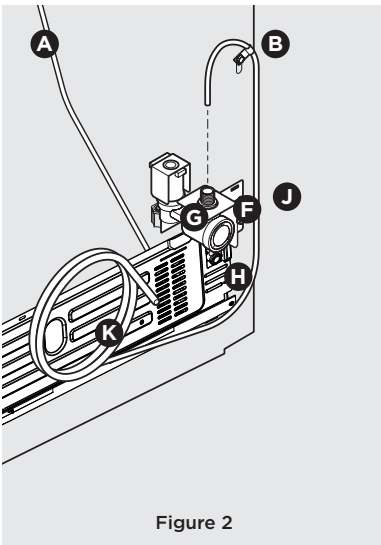


Figure 2

A	Plastic Water Tubing to Ice Maker Fill Tube
B	Steel Clamp
C	Brass Compression Nut
D	Ferrule (Sleeve)
E	Copper Water Line
F	Water Valve Bracket
G	Valve Inlet
H	Water Valve
I	Copper Water Line from Household Water Supply*
J	Braided Flexible Stainless Steel Water Line
K	6 ft. (1.8 m) Braided Flexible Stainless Steel Water Line from Household Water Supply*

\*Include enough tubing in the loop to allow moving the refrigerator out for cleaning

5. With the steel clamp and screw, secure the water supply line (copper tubing only) to the rear panel of refrigerator as shown.
6. Coil the excess water supply line (copper tubing only), about 2½ turns, behind refrigerator as shown and arrange coils so they do not vibrate or wear against any other surface.
7. Turn ON the water supply at shutoff valve and tighten any connections that leak.
8. Reconnect the refrigerator to electrical power source.



## IMPORTANT

After connecting the water supply, refer to “**Priming the Water Supply System**” for important information about priming an empty water supply system.

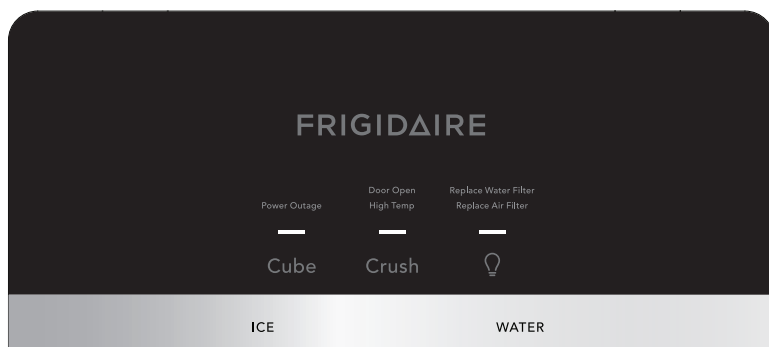
Your refrigerator’s water supply system includes several tubing lines, a water filter, and a water valve. To ensure that your water dispenser works properly, completely fill this system with water when you first connect your refrigerator to the household water supply line.

# 14 CONTROLS AND SETTINGS

## NOTE



Your appliance may have some or all of the features listed below. Become familiar with these features and their use and care.

### Front of Door User Interface



**Cube** Press the **Cube** button to get cubed ice. A white LED light will indicate the mode is selected. Press glass against the ice dispensing paddle as far up as possible to catch all the ice.

**Crush** Press the **Crush** button to get crushed ice. A white LED light will indicate the mode is selected. Press glass against the ice dispensing paddle as far up as possible to catch all the ice.

**Light**  Press the light button  to turn on the dispenser light. A white LED light will indicate the dispenser light is on. Press again to turn the light off.

**Water** To operate the water dispenser, press a glass against the **Water** dispensing paddle. To stop dispensing water, pull the glass away from the dispensing paddle. Dispensed water is not cold. For colder water, add crushed ice or cubes before dispensing water.

**Water Filter Status** When you need to order a new water filter, the side door UI will change to the Order status. When you need to replace the water filter, the Side Door UI will change to the red replace status and the front UI will display **Replace Water Filter**. After you change the filter, hold the **Water Filter** button for 3 seconds to reset.

**Air Filter Status\*** When you need to order a new air filter, the Side Door UI will change to the Order status. When you need to replace the air filter, the Side Door UI will change to the red Replace status and the Front UI will display **Replace Air Filter**. After you change the filter, hold the **Air Filter** button for 3 seconds to reset.

**\*Only on some models**

---

## Alarms

**Power  
Outage**

In the event of a power outage where the internal temperature of the refrigerator rises above the safe temp zone, the **Power Outage** warning will appear to remind you to check your food. In addition to the indicator, an alarm will sound every 60 seconds until acknowledged. Press any button to clear the alarm.

In the event of a power outage, where the internal temperature of the refrigerator stays within the safe temp zone, no warning or alarm will activate when the power is restored.

**Door  
Open**

When a door is open the **Door Open** indicator will appear and will disappear when the door is closed. If a door is left open for more than 5 minutes an alarm will sound. The alarm will continue to go off every 10 seconds until acknowledged. Close the door to turn off the alarm or press any button on the control to temporarily disable the alarm.

**High  
Temp**

In the event of the internal temperature of the refrigerator rising and staying at a temperature above the safe temp zone for a period of time, the **High Temp** warning will appear to remind you to check your food. In addition to the indicator, an alarm will sound every 10 seconds until acknowledged. Press any button to clear the warning.

The refrigerator will automatically try to cool down to improve the condition. However, if the temperature has not cooled after some time, the warning and alarm will appear again. If the problem continues please call 1 (800) 372-4432.

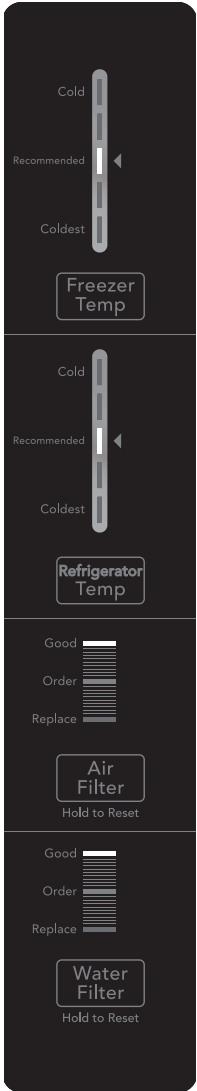
---

# 16

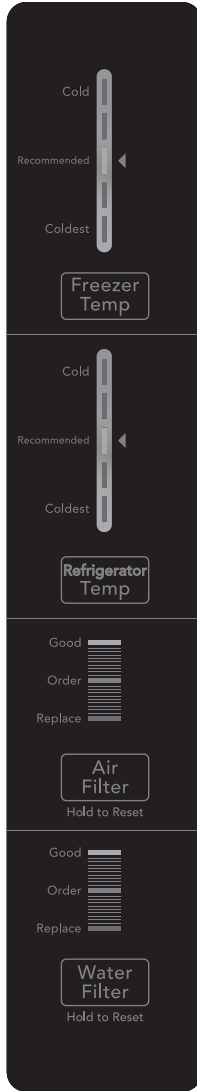
## CONTROLS AND SETTINGS

### In-Door User Interface

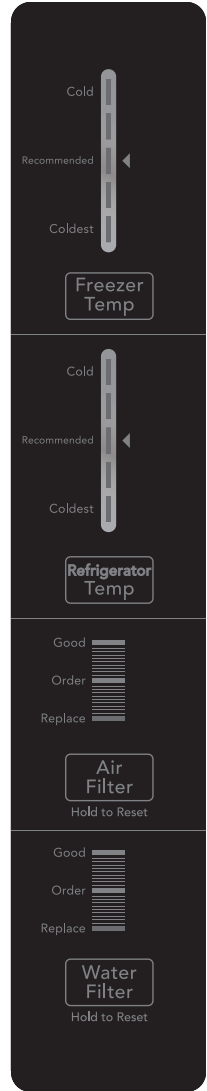
Active Mode View



Inactive Mode View



Sleep Mode View





## In-Door Control Display Mode Views

Your display is equipped with a sleep and inactive mode to prevent accidental changes to the unit settings during opening and closing of the doors. When both doors are closed, the display will be in sleep mode. When either door is first opened, the display will be in inactive mode where all the current settings are visible but dimmed.

Pressing any button on the display will activate the display and a tone will be played. All settings will then be fully lit. Touch the display again to change any setting.

If there is no button pressed for 10 seconds while any door is open, the display will default back to inactive mode.

### Temperature Adjustment

Adjust the temperature gradually: adjust in small increments, allowing the temperature to stabilize.

- For colder temperatures, press the **Temp** button to change the temperature setting toward **Coldest**.
- For warmer temperatures, press the **Temp** button to change the temperature setting toward **Cold**.

Adjusting the refrigerator control will change temperature in both compartments. The freezer control can be left at the factory preset (\*Recommended) or adjusted as desired.

To maintain temperatures, a fan circulates air in the refrigerator and freezer compartments. For good circulation, do not block cold air vents with food items.

### Air Filter Status\*

The display shows the current status of the air filter (**Good**, **Order**, or **Replace**). To reset the filter status to **Good**, press and hold **Air Filter** for 3 seconds.

### Water Filter Status

The displays shows the current status of the water filter (**Good**, **Order**, or **Replace**). To reset the filter status to **Good**, press and hold **Water Filter** for 3 seconds.

**\*Only on some models**

## Priming the water supply system

## Turning the ice maker on

**CAUTION**

For proper dispenser operation, the recommended water supply pressure should fall between 30 psi and 100 psi. Excessive pressure may cause the system to malfunction.

1. Begin filling the system by pressing and holding a drinking glass against the water dispenser paddle.



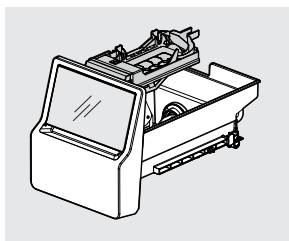
Dispenser  
(varies by model)

2. Keep the glass in this position until water comes out of the dispenser. It may take about 1½ minutes. Water will sputter until you purge all air from the water lines.
3. Continue dispensing water for about 4 minutes to flush the system and plumbing connections of any impurities (stopping to empty the glass as necessary).

**NOTE**

Dispensed water is not chilled. For colder water, add ice to cup or container before dispensing water.

To turn the ice maker on, press the ice maker's On/Off power switch, located on the front of the ice maker, so the LED is steadily illuminated.

**IMPORTANT**

Turning off the ice maker simply disables ice making. You will still be able to dispense existing ice, and you will still be able to dispense water.

**NOTE**

The ice maker also has a built-in plastic signal arm that automatically stops ice production when the ice bin is full. Do not use this signal arm to manually stop the ice maker.

**Ice maker operation & care**

After you properly install the refrigerator and it has cooled for several hours, the ice maker can produce ice within 24 hours. The ice maker will fill the ice bin from the rear. You must dispense some ice to force the ice forward in the bin. This will allow the bin to fill completely.

## Ice Maker/Dispenser Tips

- Ice cubes stored too long may develop an odd flavor. Empty the ice container as explained in **Cleaning the Ice Storage Bin**.
- Occasionally shake the ice container to keep ice separated.
- If your refrigerator is not connected to a water supply or the water supply is turned off, turn **Off** the ice maker.
- If you need a large quantity of ice at one time, it is best to get cubes directly from the ice container.
- The following sounds are normal when the ice maker is operating:
  - Motor running
  - Ice dropping into ice container
  - Water valve opening or closing
  - Ice loosening from tray
  - Running water
- When dispensing ice, you will hear a snapping or clicking sound when the ice chute opens and closes.
- Turn **Off** the ice maker when cleaning the freezer and during vacations. If you turn **Off** the ice maker for a long period of time, you should also turn off the water supply valve.



### CAUTION

Chemicals from a malfunctioning water softener can damage the ice maker. If the water supply to your refrigerator is softened, be sure the softener is maintained to work properly.

## Cleaning the Ice Storage Bin

Clean the ice storage bin at regular intervals, particularly before you take a vacation or move.

### To clean the ice storage bin:

1. Turn **Off** the ice maker.
2. Remove the ice storage bin by lifting up and out.
3. Empty and carefully clean the ice storage bin with mild detergent. Rinse with clear water. Do not use harsh or abrasive cleaners.

4. Allow the ice storage bin to dry completely before replacing it in the freezer.
5. Remove ice chips and clean the ice storage bin, shelf and the freezer door chute.
6. Replace the ice storage bin. Turn **On** the ice maker to resume ice production.

### Remove and empty the ice storage bin if:

- An extended power failure (1 hour or longer) causes ice cubes in the ice storage bin to melt and freeze together, jamming the dispenser mechanism.
- You do not use the ice dispenser frequently. Ice cubes will freeze together in the bin, jamming the dispenser mechanism.

Remove the ice storage bin and shake to loosen the cubes or clean as explained above.



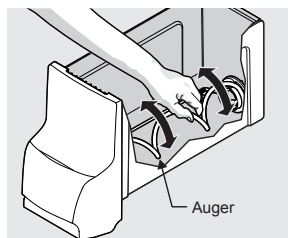
### CAUTION

NEVER use an ice pick or similar sharp instrument to break up the ice. This could damage the ice storage bin and dispenser mechanism.



### IMPORTANT

When removing or replacing the ice storage bin, avoid rotating the auger in the ice storage bin. If the auger is accidentally rotated, you must realign the auger by turning it in 45 degree turns (see below) until the ice storage bin fits into place with the drive mechanism. If the auger is not properly aligned when replacing the ice storage bin, the refrigerator will not dispense ice. The freezer door also may not close properly causing warm air to leak into the freezer compartment.



# 20 STORAGE FEATURES



## CAUTION

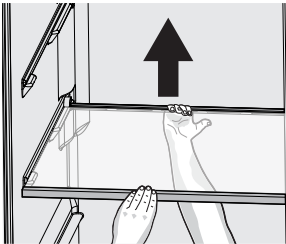
To avoid personal injury or property damage, handle tempered glass shelves carefully. Shelves may break suddenly if nicked, scratched, or exposed to sudden temperature change. Allow the glass shelves to stabilize to room temperature before cleaning. Do not wash in dishwasher.

## Glass Shelf Adjustment

Shelves are easily adjusted to suit individual needs. Before adjusting the shelves, remove all food. Shelves are supported by side rails.

To adjust, lift up on the back of the shelf and pull forward.

Replace the shelf by sliding it on top of the formed rails on the side walls of the cabinet until the rear plastic hooks of the shelf lock into the rear of the cabinet liner.



Glass Shelf

## Door storage

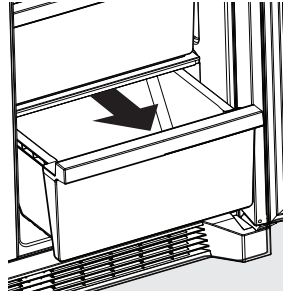
Door bins and shelves are provided for convenient storage of jars, bottles, and cans. You can quickly select frequently used items.

Some models have door bins that can accommodate gallon-sized plastic drink containers and economy-sized jars and containers. Some bins are adjustable for maximum storage capacity.

The dairy compartment, which is warmer than the general food storage section, is intended for short term storage of cheese, spreads, or butter.

## Crispers

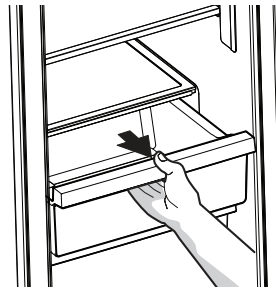
Crispers allow you the flexibility to store any manner of items including fruits, vegetables, nuts, etc. Crispers do not feature humidity controls.



Crisper Drawer

## Deli Drawer (some models)

Some models are equipped with a Deli Drawer for storing luncheon meats, spreads, cheeses and other deli items. This drawer does not have a separate temperature control.



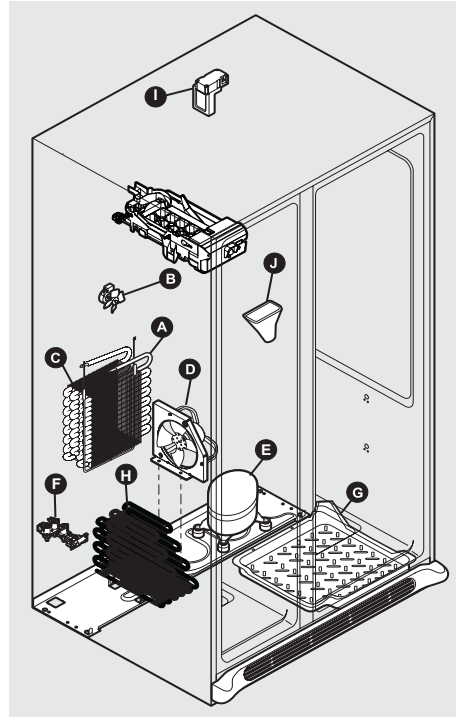
Deli Drawer

## Understanding the Sounds you may Hear

Your new, high-efficiency unit may introduce unfamiliar sounds. These sounds normally indicate your appliance is operating correctly. Some surfaces on floors, walls, and kitchen cabinets may make these sounds more noticeable.

Following is a list of major components in your unit and the *sounds* they can cause:

- A Evaporator** Refrigerant through the evaporator may create a *boiling* or *gurgling* sound.
- B Evaporator fan** You may hear *air being forced through the refrigerator* by the evaporator fan.
- C Defrost heater** During defrost cycles, water dripping onto the defrost heater may cause a *hissing* or *sizzling* sound. After defrosting, a *popping* sound may occur.
- D Condenser fan** You may hear *air being forced* through the condenser.
- E Compressor** Modern, high-efficiency compressors run much faster than in the past. The compressor may have a *high-pitched hum* or *pulsating* sound.
- F Water valve** Makes a *buzzing* sound each time it opens to fill the ice maker.
- G Drain pan** (not removable) You may hear *water dripping* into the drain pan during the defrost cycle.
- H Condenser** May create minimal sounds from *forced air*.
- I Motorized damper** May produce *intermittent humming* during operation.
- J Ice chute** When dispensing ice, you will hear a *snapping* or *clicking* sound when the solenoid opens and closes the ice chute.
- K Ice Maker** When ice has been produced, you will hear *ice cubes falling* into the ice bin.



### NOTE

Energy efficient foam in your refrigerator is not a sound insulator.

### NOTE

During automatic defrost cycle, a red glow in the back wall vents of your freezer compartment is normal.

# 22 FILTER REPLACEMENT

## PurePour™ Water Filter

Keep safe, great-tasting water flowing with a PurePour™ water filter. Using a PurePour™ water filter:

- **Makes Safe Water Second Nature**  
PurePour™ water filters are certified to reduce contaminants\* and keep great-tasting water flowing for you and your family.
- **Produces Purity You Can Trust**  
Know for certain your PurePour™ water filter is a protector. Counterfeits and knockoffs put your refrigerator and health at risk. Frigidaire Genuine Filters are the smarter, safer choice.
- **Every Drop Gives Back**  
Partnered on sustainability efforts, the use of a PurePour™ water filter helps cut back on the cost and use of plastic used to produce and package bottled water

\*For the complete list, please see Performance DataSheet on Electroluxappliances.com

## Replacing the Water Filter

The water filter is located at the top right side of the refrigerator compartment. In general, you should change the water filter every 6 months to ensure the highest possible water quality.

**Water Filter Status** on the user interface prompts you to replace the filter after a standard amount of water (125 gal/453 L for PurePour™) has flowed through the system.

If you have not used your refrigerator for a period of time (during moving for example), change the filter before reinstalling the refrigerator.

## Ordering Replacement Filters

To order your replacement filters, please visit our online store at Frigidaire.com, by calling toll-free at 1 (800) 372-4432, or by visiting the dealer where you purchased your refrigerator. Frigidaire recommends that you order extra filters when you first install your refrigerator, and that you replace your filters at least once every 6 months.

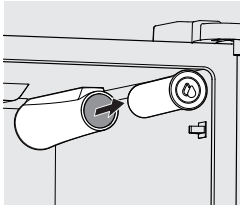
Here are the product numbers to request when ordering:

PurePour™ Water Filter  
Part# FPPWFU01™



### NOTE

When you order your replacement filter, please reorder the same filter type currently in your refrigerator.



## More about your Advanced Water Filter



The PurePour™ ice and water filter system is tested and certified to NSF/ANSI Standards 42, 53, 401 and CSA B483.1 for the reduction of claims specified on the performance data sheet. Visit Frigidaire.com for more information.

Do not use with water that is microbiologically unsafe or of unknown quality without adequate disinfection before or after the system. Use systems certified for cyst reduction on disinfected waters that may contain filterable cysts.

### Test & certification results:

- Rated Capacity - 125 gal/453 L for PurePour™ and ice and water filter
- Rated service flow - .50 gal/min.
- Operating Temp.: Min. 33°F, Max. 100°F
- Maximum Rated Pressure - 100 lbs/in.<sup>2</sup>
- Recommended Minimum Operating Pressure: 30 lbs/in.<sup>2</sup>

### To replace your PurePour™ water filter:

It is not necessary to turn the water supply off to change the filter. Be ready to wipe up any small amounts of water released during the filter replacement.

1. Turn **Off** the ice maker.
2. Remove the filter by pushing on the end/face of the filter.
3. Slide the old water filter cartridge straight out of the housing and discard it.
4. Unpackage the new filter cartridge. Using the alignment guide, slide it gently into the filter housing until it stops against the snap-in connector at the back of the housing.
5. Push firmly until the cartridge snaps into place (you should hear a click as the cartridge engages the snap-in connector).
6. Press a drinking glass against the water dispenser while checking for any leaks at the filter housing. Any spurts and sputters that occur as the system purges air out of the dispenser system are normal.
7. After filling one glass of water, continue flushing the system for about **4 minutes**.
8. Turn **On** the ice maker.
9. Press and hold the **Water Filter** reset button on the Ice & Water Dispenser control panel for 3 seconds. When the display changes from red to green, the status has been reset.

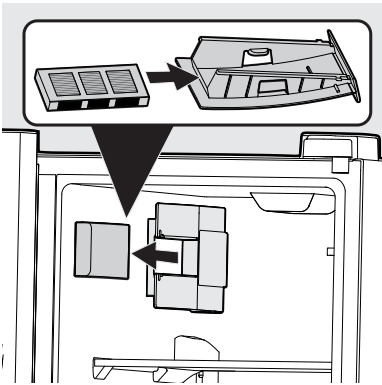
## Air Filter (some models)

Some models are pre-loaded with an air filter located at the top of the fresh food compartment, next to the water filter.

### Replacing the Air Filter

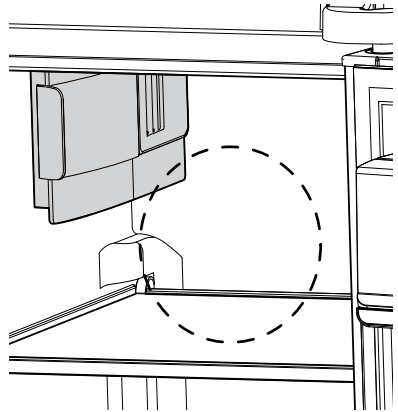
You should change your air filter every 6 months (the filter status light on the control panel prompts you to replace the filter after 6 months) to optimize the reduction of refrigerator odors. Different foods will emit various levels of odor. To install your new **PAULTRA2™ PureAir Ultra II™** air filter:

1. Pull the air filter housing straight out.
2. Remove the old filter and discard it (if applicable).
3. Unpack the new filter and place it inside the housing.
4. Slide the housing back into position.
5. Activate or reset the **Air Filter** status light on the control panel.



## Damper/Air Filter Housing

In humid regions certain products stored too close to the damper/air filter housing may freeze. If this scenario occurs, adjust the fresh food temperature settings and reconfigure the top shelf storage to allow for proper air diffusion.



# 24 CARE AND CLEANING

## Protecting your investment

Keeping your appliance clean maintains appearance and prevents odor build-up. Wipe up any spills immediately and clean the freezer and refrigerator compartments at least twice a year. When cleaning, take the following precautions:

- Never use CHLORIDE or cleaners with bleach to clean stainless steel.
- Do not wash any removable parts in a dishwasher.
- Always unplug the electrical power cord from the wall outlet before cleaning.
- Remove adhesive labels by hand. Do not use razor blades or other sharp instruments which can scratch the appliance surface.
- Do not remove the serial plate.

Do not use abrasive cleaners such as window sprays, scouring cleansers, brushes, flammable fluids, cleaning waxes, concentrated detergents, bleaches or cleansers containing petroleum products on plastic parts, interior doors, gaskets or cabinet liners. Do not use paper towels, metallic scouring pads, or other abrasive cleaning materials or strong alkaline solutions.

### NOTE

If you set your temperature controls to turn off cooling, power to lights and other electrical components will continue until you unplug the power cord from the wall outlet.

### CAUTION

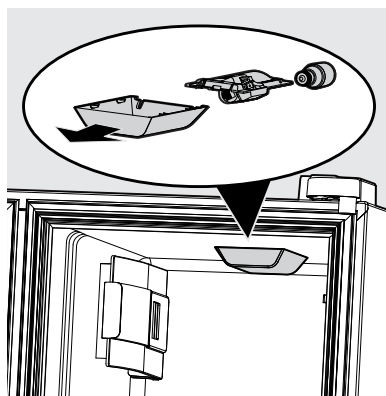
- Pull the unit straight out to move it. Shifting it from side to side may damage flooring. Be careful not to move the appliance beyond the plumbing connections.
- Damp objects stick to cold metal surfaces. Do not touch refrigerated surfaces with wet or damp hands.
- Sudden temperature changes can cause glass breakage.

### IMPORTANT

If you store or move your unit in freezing temperatures, be sure to completely drain the water supply system. Failure to do so could result in water leaks when you put the unit back into service. Contact a service representative to perform this operation.

## Replacing the LED Light Bulb

1. Unplug the refrigerator.
2. Wearing gloves, slide the clear light cover along the top of the unit toward the front of the unit.
3. Replace the old LED bulb with a bulb no greater than 5 watts.  
**Caution:** Wear gloves when replacing the LED bulb to avoid getting cut. Use the same wattage when replacing the LED bulb.
4. Replace the light cover
5. Plug in the refrigerator.





Care & Cleaning Tips		
Part	What To Use	Tips and Precautions
<b>Interior &amp; Door Liners</b>	<ul style="list-style-type: none"> <li>• Soap and water</li> <li>• Baking soda and water</li> </ul>	Use 2 Tbsp of baking soda in 1 qt of warm water. <b>Be sure to wring excess water out of sponge or cloth before cleaning around controls, light bulb or any electrical part.</b>
<b>Door Gaskets</b>	<ul style="list-style-type: none"> <li>• Soap and water</li> </ul>	Wipe gaskets with a clean soft cloth.
<b>Drawers &amp; Bins</b>	<ul style="list-style-type: none"> <li>• Soap and water</li> </ul>	Use a soft cloth to clean drawer runners and tracks.
<b>Glass Shelves</b>	<ul style="list-style-type: none"> <li>• Soap and water</li> <li>• Glass cleaner</li> <li>• Mild liquid sprays</li> </ul>	Allow glass to warm to room temperature before immersing in warm water.
<b>Toe Grille</b>	<ul style="list-style-type: none"> <li>• Soap and water</li> <li>• Mild liquid sprays</li> <li>• Vacuum attachment</li> </ul>	Vacuum dust from front of toe grille. Remove toe grille (see Installation Instructions). Vacuum backside, wipe with sudsy cloth or sponge. Rinse and dry.
<b>Exterior &amp; Handles</b>	<ul style="list-style-type: none"> <li>• Soap and water</li> <li>• Non Abrasive Glass Cleaner</li> </ul>	Do not use commercial household cleaners containing ammonia, bleach or alcohol to clean handles. Use a soft cloth to clean smooth handles. <b>DO NOT use a dry cloth to clean smooth doors.</b>
<b>Exterior &amp; Handles (Stainless Steel Models Only)</b>	<ul style="list-style-type: none"> <li>• Soap and water</li> <li>• Stainless Steel Cleaners</li> </ul>	<b>Never use CHLORIDE or cleaners with bleach to clean stainless steel.</b> Clean stainless steel front and handles with non-abrasive soapy water and a dishcloth. Rinse with clean water and a soft cloth. Use a non-abrasive stainless steel cleaner. These cleaners can be purchased at most home improvement or major department stores. Always follow manufacturer's instructions. Do not use household cleaners containing ammonia or bleach. <b>NOTE: Always clean, wipe and dry with the grain to prevent scratching.</b> Wash the rest of the cabinet with warm water and mild liquid detergent. Rinse well, and wipe dry with a clean soft cloth.
<b>Replacing LED Bulbs</b>	<ul style="list-style-type: none"> <li>• Unplug refrigerator</li> <li>• Wear gloves</li> <li>• Replace the Refrigerator light cover by sliding the cover forward along the top</li> <li>• Replace old LED bulb</li> <li>• Replace light cover</li> <li>• Plug in the refrigerator</li> </ul>	<b>CAUTION: Wear gloves when replacing LED bulbs to avoid getting cut.</b> Use only a 5-watt or less AC LED light bulb.

# 26 TROUBLESHOOTING

Let us help you troubleshoot your concern! This section will help you with common issues. If you need us, visit our website, chat with an agent, or call us. We may be able to help you avoid a service visit. If you do need service, we can get that started for you!

**1-800-374-4432** (United States)  
**Frigidaire.com**

**1-800-265-8352** (Canada)  
**Frigidaire.ca**

CONCERN	CAUSE	SOLUTION
<b>AUTOMATIC ICE MAKER</b>		
<b>Ice maker is not making any ice.</b>	<ul style="list-style-type: none"> <li>Ice maker is not on.</li> <li>Saddle valve on cold water pipe is clogged or restricted by foreign material.</li> </ul>	<ul style="list-style-type: none"> <li>Ensure the ice maker is on (green light).</li> <li>The ice and water filter cartridge may be clogged. Replace filter cartridge.</li> <li>Turn off household water line valve. Remove valve. Ensure that valve is not a self-piercing saddle valve. Clean valve. Replace valve if necessary.</li> </ul>
<b>Ice maker is not making enough ice.</b>	<ul style="list-style-type: none"> <li>Check to see if water dispenser is dispensing slower than normal.</li> <li>Freezer control is set too warm.</li> </ul>	<ul style="list-style-type: none"> <li>If it is, replace the ice and water filter cartridge.</li> <li>Set freezer control to colder setting to improve performance of the ice maker. Allow 24 hours for temperature to stabilize.</li> </ul>
<b>Ice maker will not stop making ice.</b>	<ul style="list-style-type: none"> <li>Ice maker arm is being held down by some item in the freezer.</li> </ul>	<ul style="list-style-type: none"> <li>Move item and release arm. Remove any ice cubes that are frozen together over the arm.</li> </ul>
<b>Ice cubes are freezing together.</b>	<ul style="list-style-type: none"> <li>Ice cubes are not being used frequently enough.</li> <li>Ice cubes are hollow (partially frozen cubes with water inside).</li> <li>Freezer control is set too warm.</li> </ul>	<ul style="list-style-type: none"> <li>Remove ice container and discard ice from container. Ice maker will produce fresh supply.</li> <li>The ice and water filter cartridge may be clogged. Replace filter cartridge.</li> <li>Set freezer control to colder setting. Allow 24 hours for temperature to stabilize.</li> </ul>
<b>DISPENSER (Ice &amp; Water)</b>		
<b>Dispenser will not dispense ice.</b>	<ul style="list-style-type: none"> <li>There is no ice in the bin to be dispensed.</li> <li>The refrigerator doors are not completely closed.</li> <li>Dispenser paddle has been pressed too long and the dispenser motor has overheated.</li> <li>Not dispensing ice regularly may melt and refreeze ice causing ice clumping. Dispensing clumps could damage the ice bucket.</li> </ul>	<ul style="list-style-type: none"> <li>See the "Ice maker is not making any ice" section above.</li> <li>Be sure to close the refrigerator completely.</li> <li>The motor overload protector will reset in about 3 minutes and then ice can be dispensed.</li> <li>Empty the ice bucket monthly or regularly dispense ice. For longer periods of time (vacation or vacant homes) see <b>Ice Maker/Dispenser Tips</b> in the <b>AUTOMATIC ICE AND WATER DISPENSER</b> section to turn off the ice maker.</li> </ul>

CONCERN	CAUSE	SOLUTION
<b>DISPENSER (Ice &amp; Water) (Continued)</b>		
<b>Ice dispenser is jammed.</b>	<ul style="list-style-type: none"> <li>• Ice has melted and frozen around auger due to infrequent use, temperature fluctuations, and/or power outages.</li> <li>• Ice cubes are jammed between ice maker and back of ice container.</li> </ul>	<ul style="list-style-type: none"> <li>• Remove ice container, thaw, and empty the contents. Clean container, wipe dry, and replace in proper position. When new ice is made, dispenser should operate. See <b>Cleaning the Ice Storage Bin</b> in the <b>AUTOMATIC ICE AND WATER DISPENSER</b> section.</li> <li>• Remove ice cubes that are jamming the dispenser.</li> </ul>
<b>Dispenser will not dispense water.</b>	<ul style="list-style-type: none"> <li>• Water filter not seated properly.</li> <li>• Water filter is clogged.</li> <li>• Household water line valve is not open.</li> </ul>	<ul style="list-style-type: none"> <li>• Remove and reinstall the water filter. Be sure to push the filter firmly so that you hear it lock solidly into position.</li> <li>• Replace filter cartridge. Be sure to remove protective caps and push the filter firmly so that you hear it lock solidly into position.</li> <li>• Open the household water line valve.</li> </ul>
<b>Water has an odd taste and/or odor.</b>	<ul style="list-style-type: none"> <li>• Water has not been dispensed for an extended period of time.</li> <li>• Unit not properly connected to cold water line.</li> </ul>	<ul style="list-style-type: none"> <li>• Draw and discard 10-12 glasses of water to freshen the supply.</li> <li>• Connect unit to cold water line that supplies water to the kitchen faucet.</li> </ul>
<b>Water pressure is extremely low.</b>	<ul style="list-style-type: none"> <li>• Cut-off and cut-on pressures are too low (well systems only).</li> <li>• Reverse osmosis system is in regenerative phase.</li> </ul>	<ul style="list-style-type: none"> <li>• Have someone turn up the cut-off and cut-on pressure on the water pump system (well systems only).</li> <li>• It is normal for a reverse osmosis system to be below 20 psi during the regenerative phase.</li> <li>• See the <b>WATER SUPPLY CONNECTION</b> section.</li> </ul>
<b>Water not cold enough.</b>	<ul style="list-style-type: none"> <li>• As warmer tap water goes through the filter and enters the water tank the chilled water is pushed through to the dispenser. Once the chilled water is used up it will take several hours to bring the freshly replaced water to a cooler temperature.</li> <li>• Some models are designed without a water tank, these water dispensing systems are not designed to chill water.</li> </ul>	<ul style="list-style-type: none"> <li>• Add ice to cup or container before dispensing water.</li> <li>• Add ice to cup or container before dispensing water</li> </ul>

# 28 TROUBLESHOOTING

CONCERN	CAUSE	SOLUTION
<b>OPENING/CLOSING OF DOORS/DRAWERS</b>		
<b>Door(s) will not close.</b>	<ul style="list-style-type: none"> <li>• Door was closed too hard, causing other door to open slightly.</li> <li>• Refrigerator is not level. It rocks on the floor when moved slightly.</li> <li>• Refrigerator is touching a wall or cabinet.</li> </ul>	<ul style="list-style-type: none"> <li>• Close both doors gently.</li> <li>• Ensure floor is level and solid, and can adequately support the refrigerator. Contact a carpenter to correct a sagging or sloping floor.</li> <li>• Ensure floor is level and solid, and can adequately support the refrigerator. Contact a carpenter to correct a sagging or sloping floor.</li> </ul>
<b>Drawers are difficult to move.</b>	<ul style="list-style-type: none"> <li>• Food is touching shelf on top of drawer.</li> <li>• Track that drawers slide on is dirty.</li> </ul>	<ul style="list-style-type: none"> <li>• Remove top layer of items in drawer.</li> <li>• Ensure drawer is properly installed on track.</li> <li>• Clean drawer, rollers, and track. See <b>CARE AND CLEANING</b>.</li> </ul>
<b>RUNNING OF REFRIGERATOR</b>		
<b>Compressor does not run.</b>	<ul style="list-style-type: none"> <li>• Freezer control is set to "OF" or "O".</li> <li>• Refrigerator is in defrost cycle.</li> <li>• Plug at electrical outlet is disconnected.</li> <li>• House fuse blown or tripped circuit breaker.</li> <li>• Power outage.</li> </ul>	<ul style="list-style-type: none"> <li>• Set freezer control.</li> <li>• This is normal for a fully automatic defrost refrigerator. The defrost cycle occurs periodically, lasting about 30 minutes.</li> <li>• Ensure plug is tightly pushed into outlet.</li> <li>• Check/replace fuse with a 15 amp time-delay fuse. Reset circuit breaker.</li> <li>• Check house lights. Call local electric company.</li> </ul>
<b>Refrigerator runs too much or too long.</b>	<ul style="list-style-type: none"> <li>• Room or outside weather is hot.</li> <li>• Doors are opened too frequently or too long.</li> <li>• Refrigerator/freezer door may be slightly open.</li> <li>• Freezer control is set too cold.</li> <li>• Refrigerator/freezer gasket is dirty, worn, cracked, or poorly fitted.</li> <li>• Condenser is dirty.</li> </ul>	<ul style="list-style-type: none"> <li>• It's normal for the refrigerator to work longer under these conditions.</li> <li>• Warm air entering the refrigerator causes it to run more. Open doors less often.</li> <li>• Ensure refrigerator is level. Keep food and contains from blocking door. See <b>CONCERN</b> column <b>OPENING/CLOSING OF DOORS/DRAWERS</b>.</li> <li>• Set Refrigerator control to warmer setting until refrigerator temperature is satisfactory. Allow 24 hours for temperature to stabilize.</li> <li>• Clean or change gasket. Leaks in door seal will cause refrigerator to run longer in order to maintain desired temperatures.</li> <li>• Clean condenser. See <b>CARE AND CLEANING</b>.</li> </ul>

<b>CONCERN</b>	<b>CAUSE</b>	<b>SOLUTION</b>
<b>Compressor goes off and on frequently.</b>	<ul style="list-style-type: none"> <li>• Thermostat keeps the refrigerator at a constant temperature.</li> </ul>	<ul style="list-style-type: none"> <li>• This is normal. Refrigerator goes on and off to keep temperature constant.</li> </ul>
<b>DIGITAL TEMPERATURE DISPLAY</b>		
<b>Digital temperature displays are flashing.</b>	<ul style="list-style-type: none"> <li>• Electronic control system has detected a performance problem.</li> </ul>	<ul style="list-style-type: none"> <li>• Call your Frigidaire service representative, who can interpret any messages or number codes flashing on the digital displays.</li> </ul>
<b>WATER/MOISTURE/FROST INSIDE REFRIGERATOR</b>		
<b>Moisture collects on inside of refrigerator walls.</b>	<ul style="list-style-type: none"> <li>• Weather is hot and humid.</li> <li>• Door is slightly open.</li> </ul>	<ul style="list-style-type: none"> <li>• The rate of frost buildup and internal sweating increases.</li> <li>• See <b>CONCERN</b> column <b>OPENING/CLOSING OF DOORS/DRAWERS</b>.</li> </ul>
<b>Water collects on bottom side of drawer cover.</b>	<ul style="list-style-type: none"> <li>• Vegetables contain and give off moisture.</li> </ul>	<ul style="list-style-type: none"> <li>• It is not unusual to have moisture on the bottom side of the cover.</li> <li>• Move humidity control (some models) to lower setting.</li> </ul>
<b>Water collects in bottom of drawer.</b>	<ul style="list-style-type: none"> <li>• Washed vegetables and fruit drain while in the drawer.</li> </ul>	<ul style="list-style-type: none"> <li>• Dry items before putting them in the drawer. Water collecting in bottom of drawer is normal.</li> </ul>
<b>Stored products on top shelf freeze</b>	<ul style="list-style-type: none"> <li>• Fresh food temperature setting too cold.</li> <li>• Certain products stored too close to damper / air filter housing.</li> </ul>	<ul style="list-style-type: none"> <li>• Adjust fresh food temperature settings.</li> <li>• Reconfigure top shelf storage to allow proper diffusion of air. See <b>Damper/Air Filter Housing</b> in the <b>FILTER REPLACEMENT</b> section.</li> </ul>
<b>WATER/MOISTURE/FROST OUTSIDE REFRIGERATOR</b>		
<b>Moisture collects on outside of refrigerator or between doors.</b>	<ul style="list-style-type: none"> <li>• Weather is humid.</li> <li>• Door is slightly open, causing cold air from inside refrigerator to meet warm air from outside.</li> </ul>	<ul style="list-style-type: none"> <li>• This is normal in humid weather. When humidity is lower, the moisture should disappear.</li> <li>• See <b>CONCERN</b> column <b>OPENING/CLOSING OF DOORS/DRAWERS</b>.</li> </ul>

# 30

## LIMITED WARRANTY

Your appliance is covered by a one year limited warranty. For one year from your original date of purchase, Electrolux will pay all costs for repairing or replacing any parts of this appliance that prove to be defective in materials or workmanship when such appliance is installed, used and maintained in accordance with the provided instructions.

### Exclusions

#### This warranty does not cover the following:

1. Products with original serial numbers that have been removed, altered or cannot be readily determined.
2. Product that has been transferred from its original owner to another party or removed outside the USA or Canada.
3. Rust on the interior or exterior of the unit.
4. Products purchased "as-is" are not covered by this warranty.
5. Food loss due to any refrigerator or freezer failures.
6. Products used in a commercial setting.
7. Service calls which do not involve malfunction or defects in materials or workmanship, or for appliances not in ordinary household use or used other than in accordance with the provided instructions.
8. Service calls to correct the installation of your appliance or to instruct you how to use your appliance.
9. Expenses for making the appliance accessible for servicing, such as removal of trim, cupboards, shelves, etc., which are not a part of the appliance when it is shipped from the factory.
10. Service calls to repair or replace appliance light bulbs, air filters, water filters, other consumables, or knobs, handles, or other cosmetic parts.
11. Surcharges including, but not limited to, any after hour, weekend, or holiday service calls, tolls, ferry trip charges, or mileage expense for service calls to remote areas, including the state of Alaska.
12. Damages to the finish of appliance or home incurred during installation, including but not limited to floors, cabinets, walls, etc.
13. Damages caused by: services performed by unauthorized service companies; use of parts other than genuine Electrolux parts or parts obtained from persons other than authorized service companies; or external causes such as abuse, misuse, inadequate power supply, accidents, fires, or acts of God.

### DISCLAIMER OF IMPLIED WARRANTIES; LIMITATION OF REMEDIES

CUSTOMER'S SOLE AND EXCLUSIVE REMEDY UNDER THIS LIMITED WARRANTY SHALL BE PRODUCT REPAIR OR REPLACEMENT AS PROVIDED HEREIN. CLAIMS BASED ON IMPLIED WARRANTIES, INCLUDING WARRANTIES OF MERCHANTABILITY OR FITNESS FOR A PARTICULAR PURPOSE, ARE LIMITED TO ONE YEAR OR THE SHORTEST PERIOD ALLOWED BY LAW, BUT NOT LESS THAN ONE YEAR. ELECTROLUX SHALL NOT BE LIABLE FOR CONSEQUENTIAL OR INCIDENTAL DAMAGES SUCH AS PROPERTY DAMAGE AND INCIDENTAL EXPENSES RESULTING FROM ANY BREACH OF THIS WRITTEN LIMITED WARRANTY OR ANY IMPLIED WARRANTY. SOME STATES AND PROVINCES DO NOT ALLOW THE EXCLUSION OR LIMITATION OF INCIDENTAL OR CONSEQUENTIAL DAMAGES, OR LIMITATIONS ON THE DURATION OF IMPLIED WARRANTIES, SO THESE LIMITATIONS OR EXCLUSIONS MAY NOT APPLY TO YOU. THIS WRITTEN WARRANTY GIVES YOU SPECIFIC LEGAL RIGHTS. YOU MAY ALSO HAVE OTHER RIGHTS THAT VARY FROM STATE TO STATE.

### If You Need Service

Keep your receipt, delivery slip, or some other appropriate payment record to establish the warranty period should service be required. If service is performed, it is in your best interest to obtain and keep all receipts. Service under this warranty must be obtained by contacting Electrolux at the addresses or phone numbers below.

This warranty only applies in the USA and Canada. In the USA, your appliance is warranted by Electrolux Major Appliances North America, a division of Electrolux Home Products, Inc. In Canada, your appliance is warranted by Electrolux Canada Corp. Electrolux authorizes no person to change or add to any obligations under this warranty. Obligations for service and parts under this warranty must be performed by Electrolux or an authorized service company. Product features or specifications as described or illustrated are subject to change without notice.

**USA**  
**1-800-374-4432**  
Frigidaire  
10200 David Taylor Drive  
Charlotte, NC 28262



**Electrolux**

**Canada**  
**1.800.265.8352**  
Electrolux Canada Corp.  
5855 Terry Fox Way  
Mississauga, Ontario, Canada  
L5V 3E4

# FRIGIDAIRE®

welcome *home*

Our home is your home. Visit us if you need help with any of these things:



owner support



accessories



service



registration

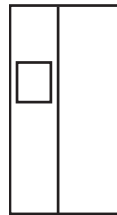
(See your registration card for more information.)

Frigidaire.com  
1-800-374-4432

Frigidaire.ca  
1-800-265-8352







# FRIGORÍFICO

## *uso y cuidado*

Introducción.....	2	Dispensador automático de agua y hielo ...	18
Información de seguridad importante.....	3	Características de almacenamiento.....	20
Características.....	5	Controles y configuraciones.....	21
Instalación.....	6	Reemplazo de filtro.....	22
Extracción de la puerta .....	9	Cuidado y limpieza.....	24
Instalación del tiradores de la puertas...	11	Solución de problemas .....	26
Conexión de suministro de agua.....	12	Garantía limitada.....	30
Controles y configuraciones .....	14		

## Bienvenido a nuestra familia

¡Gracias por llevar a Frigidaire a su hogar! Vemos su compra como el principio de una larga relación juntos.

Este manual es su recurso para usar y cuidar de su producto. Léalo antes de usar su electrodoméstico. Manténgalo a la mano para una referencia rápida. Si algo no se ve bien, la sección de solución de problemas le ayudará con los problemas comunes.

Encontrará una sección de preguntas frecuentes (FAQ), sugerencias y videos útiles, productos de limpieza y accesorios para la cocina y el hogar en [Frigidaire.com](http://Frigidaire.com).

¡Estamos aquí para usted! Visite nuestro sitio web, hable con un agente o llámenos si necesita ayuda. Tal vez podamos ayudarle a evitar una visita de servicio. Y si requiere servicio, podemos iniciar el proceso por usted.

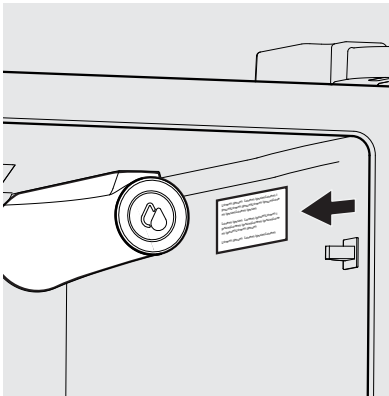
¡Hagámoslo oficial! Asegúrese de registrar su producto.

Conserve la información de su producto aquí para que pueda encontrarla fácilmente.

Número de modelo \_\_\_\_\_

Número de serie \_\_\_\_\_

Fecha de compra \_\_\_\_\_



Ubicación del número de serie



### Lista de verificaciones de instalación

#### **Puertas**

- Las manijas están seguras y apretadas
- La puerta sella completamente con el gabinete de todos los lados
- Las puertas están niveladas entre sí

#### **Nivelado**

- El electrodoméstico está nivelado, de un lado a otro e inclinado 1/4" (6 mm) del frente hacia atrás
- La rejilla inferior está correctamente colocada en el refrigerador
- El armario está nivelado sobre el piso

#### **Energía eléctrica**

- Energía doméstica apagada
- Electrodoméstico enchufado

#### **Productor de hielo**

- La fuente de suministro de agua de la casa está conectada al electrodoméstico
- Sin pérdidas de agua presentes en todas las conexiones; vuelva a verificar en 24 horas
- El productor de hielo está ENCENDIDO
- El dispensador de agua y hielo funcionan correctamente

#### **Revisiones finales**

- Se retiró el material de embalaje
- Las temperaturas del refrigerador y del congelador están configuradas en la configuración recomendada
- Conjunto de controles de humedad más nítidos (algunos modelos)
- Se envió la tarjeta de registro

# INFORMACIÓN DE SEGURIDAD IMPORTANTE



## ADVERTENCIA

Lea todas las instrucciones antes de usar este electrodoméstico.

### Definiciones de seguridad

**!** Este es el símbolo de alerta de seguridad. Se usa para alertar de los riesgos potenciales de lesión personal. Obedezca todos los mensajes de seguridad que sigan después de este símbolo para evitar la posibilidad de lesiones o muerte.



## PELIGRO

PELIGRO indica una inminente situación peligrosa que, de no evitarse, puede provocar la muerte o lesiones graves.



## ADVERTENCIA

ADVERTENCIA indica una situación potencialmente peligrosa que, de no evitarse, podría provocar la muerte o lesiones graves.



## PRECAUCIÓN

PRECAUCIÓN indica una situación potencialmente peligrosa que, de no evitarse, puede provocar lesiones menores o moderadas.



## IMPORTANTE

IMPORTANTE indica información de instalación, operación o mantenimiento que es importante, pero no se relaciona con riesgos.



## PELIGRO



PELIGRO Riesgo de incendio o explosión. Se usa refrigerante inflamable. No use dispositivos mecánicos para descongelar el electrodoméstico. No perforo la tubería de refrigerante.

PELIGRO Riesgo de incendio o explosión. Se utiliza refrigerante inflamable. Para ser reparado solamente por personal de mantenimiento capacitado. Use solamente repuestos autorizados por el fabricante. Cualquier equipo de reparación utilizado debe estar diseñado para refrigerantes inflamables. Siga todas las instrucciones de reparación del fabricante. No perforo los tubos de líquido refrigerante.



## PRECAUCIÓN



PRECAUCIÓN Riesgo de incendio o explosión. Deseche el refrigerador correctamente de acuerdo con las regulaciones federales o locales aplicables. Se utiliza refrigerante inflamable.

PRECAUCIÓN Riesgo de incendio o explosión debido a la perforación de la tubería de refrigerante. Siga las instrucciones de manipulación minuciosamente. Se usa refrigerante inflamable.



## ADVERTENCIA

**RESIDENTES DE CALIFORNIA**  
**Cáncer y Daño Reproductivo**  
[www.P65Warnings.ca.gov](http://www.P65Warnings.ca.gov)

### Seguridad de los niños

Este electrodoméstico no está diseñado para que lo usen personas (incluyendo niños) con capacidades físicas, sensoriales o mentales reducidas, o con falta de experiencia y conocimiento, a menos que hayan recibido supervisión o instrucción con respecto al uso del electrodoméstico por parte de una persona responsable de su seguridad.

Destruya o recicle el cartón, las bolsas de plástico y cualquier material de envoltura exterior inmediatamente después de desempacar el refrigerador. Los niños **NUNCA** deben usar estos objetos para jugar. Los cartones cubiertos con alfombra, colchas, hojas de plástico o película plástica envoltorio pueden volverse cámaras herméticas y provocar asfixia rápidamente.

### Instrucciones de seguridad

- NO almacene ni utilice gasolina ni otros líquidos inflamables en las inmediaciones de este o cualquier otro artefacto. Lea las etiquetas de los productos para informarse sobre la combustibilidad y otros peligros.
- NO haga funcionar aparte en la presencia de vapores explosivos.
- Evite cualquier contacto con las piezas móviles del fabricante automático de hielo.
- Quite todas las grapas de la caja de cartón. Las grapas pueden causar cortes graves y dañar los acabados si entran en contacto con otros artefactos o muebles.

### Eliminación apropiada de su electrodoméstico

#### Riesgo de atrapamiento de niños

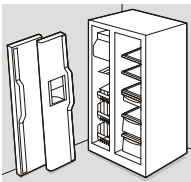
El atrapamiento de niños y la asfixia no son problemas del pasado. Los electrodomésticos

cos chatarra o abandonados siguen siendo peligrosos, incluso aunque solo vayan a estar "unos cuantos días" así. Si se va a deshacer de su viejo electrodoméstico, siga las instrucciones que se indican a continuación para que pueda prevenir accidentes.

Le recomendamos encarecidamente que aplique métodos responsables de reciclaje/eliminación de electrodomésticos. Consulte con su compañía de servicios públicos o visite [energystar.gov/recycle](http://energystar.gov/recycle) si desea más información acerca de cómo reciclar su viejo electrodoméstico.

### Antes de que tire su viejo electrodoméstico:

- Retire las puertas.
- Deje las repisas en su lugar para que los niños no puedan trepar fácilmente al interior.
- Haga que un técnico de servicio cualificado retire el refrigerante.



### ADVERTENCIA

Hay que seguir estos lineamientos para asegurar que los mecanismos de seguridad en este electrodoméstico operen correctamente.

### Información eléctrica

- **Enchufe el electrodoméstico a su propio tomacorriente dedicado de 115 volts, 60 Hz., 15 amperes, CA solamente.** El cable de alimentación del electrodoméstico está equipado con un enchufe de tres clavijas con conexión a tierra para que usted se proteja contra los riesgos de descarga eléctrica. Enchúfelo directamente en un receptáculo de 3 clavijas conectado correctamente a tierra. Instale el receptáculo de conformidad con los códigos y ordenanzas locales. Consulte con un electricista cualificado. Evite conectar el electrodoméstico a un circuito con interruptor de falla a tierra (GFI). **No use un cable de extensión o un enchufe adaptador.**
- Si se daña el cable de alimentación, debe reemplazarlo un técnico de servicio autorizado para evitar cualquier riesgo.
- Nunca desenchufe el electrodoméstico tirando del cable de alimentación. Sujete siempre el enchufe firmemente y jale en sentido recto hacia el lado contrario del receptáculo para evitar dañar el cable de alimentación.
- Desenchufe la unidad antes de realizar el trabajo de limpieza y de sustituir el bombillo LED de CA y así evitar el riesgo de choques eléctricos. Solo use un bombillo de 5 W o menos o LED de CA.

- El desempeño del electrodoméstico podría verse afectado si el voltaje varía por un 10 % o más. Si el electrodoméstico funciona con potencia insuficiente podría dañarse el compresor. Dichos daños no están cubiertos bajo su garantía.
- No enchufe la unidad a un tomacorriente controlado por un interruptor de pared o jale el cable para evitar que el electrodoméstico se apague accidentalmente.



### IMPORTANTE

Para apagar completamente el electrodoméstico, es necesario desconectar el cable de alimentación del tomacorriente.

Tomacorriente con conexión a tierra



No corte, retire ni deshabilite la clavija de conexión a tierra bajo ninguna circunstancia.



Cable de alimentación con ficha de 3 clavijas con conexión a tierra



### PRECAUCIÓN

Para evitar lesiones personales o daños materiales, manipule los estantes de vidrio templado con cuidado. Los estantes se pueden quebrar de repente si se ranuran, rayan o exponen a un cambio brusco de temperatura.



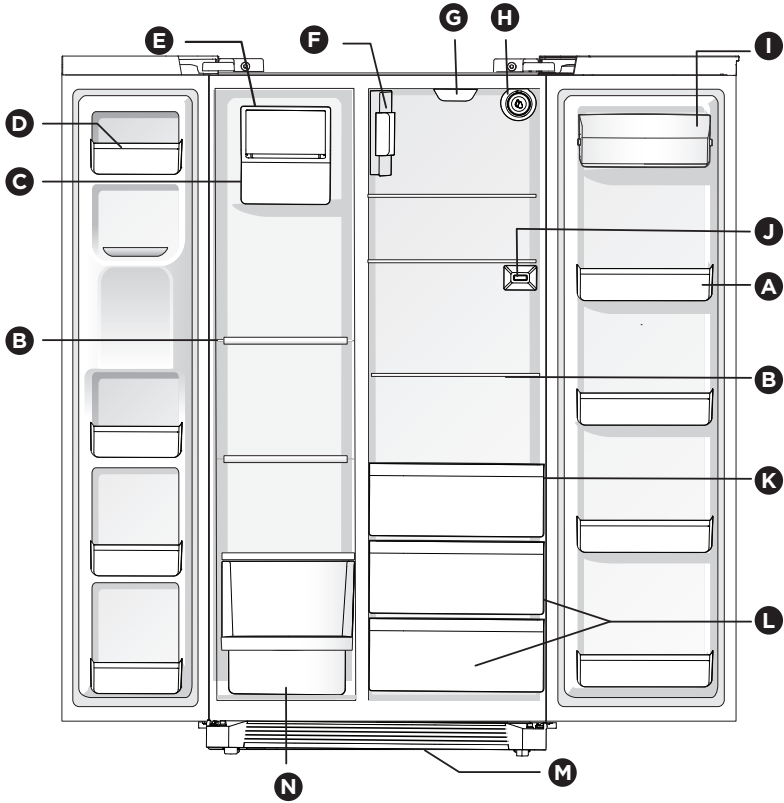
### IMPORTANTE

#### Eliminación de CFC/HCFC

Su electrodoméstico viejo puede tener un sistema de enfriamiento que use CFC o HCFC (clorofluorocarburos o hidroclorofluorocarburos). Se cree que los CFC y HCFC dañan el ozono de la estratosfera si se liberan a la atmósfera. Otros refrigerantes también pueden provocar daños en el ambiente si se liberan a la atmósfera.

Si piensa tirar su electrodoméstico viejo, asegúrese de que se retire el refrigerante para que un técnico calificado lo elimine correctamente. Si libera refrigerante de manera intencional, puede verse sujeto a multas y encarcelamiento según las disposiciones de la legislación ambiental.

\*Las características pueden variar de acuerdo al modelo



<b>A</b>	Contenedores de puertas ajustables
<b>B</b>	Repisas
<b>C</b>	Contenedor de hielo
<b>D</b>	Contenedores de puertas fijos
<b>E</b>	Fábrica de hielo
<b>F</b>	Alojamiento del humidificador/ filtro de aire
<b>G</b>	Tapa de la luz LED del refrigerador

<b>H</b>	Filtro de agua
<b>I</b>	Compartimento para lácteos
<b>J</b>	Sensor de temperatura/termistor
<b>K</b>	Gaveta de embutidos (algunos modelos)
<b>L</b>	Bandeja de crujiertes
<b>M</b>	Rejilla inferior
<b>N</b>	Panier coulissant



## IMPORTANTE

Tenemos accesorios para su electrodoméstico que pueden adquirirse en [Frigidaire.com](http://Frigidaire.com) o llamando al 1-800-374-4432 (Frigidaire.ca o 1-800-265-8352 en Canadá) o a través de un vendedor autorizado.

# 6

## INSTALACIÓN

Esta guía de uso y cuidado proporciona las instrucciones generales de operación para su modelo. Use el electrodoméstico solo como se indica en esta guía de uso y cuidado. **Antes de poner en funcionamiento el electrodoméstico, siga estos primeros pasos importantes.**

### Ubicación

- Seleccione un lugar cercano a un tomacorriente conectado a tierra. **No** use un cable de extensión o un enchufe adaptador.
- De ser posible, coloque el electrodoméstico lejos de la luz directa del sol y de la estufa, lavavajillas o cualquier otra fuente de calor.
- Instale el electrodoméstico en un piso nivelado y lo suficientemente fuerte como para soportar un electrodoméstico con carga completa.
- Considere la disponibilidad de suministro de agua para los modelos equipados con una máquina de hielo automática. Si no conecta el agua al aparato, recuerde apagar la fábrica de hielo.



### PRECAUCIÓN

**NO** instale la unidad donde la temperatura baje a menos de 55 °F (13 °C) o se eleve por encima 43 °C (110 °F). El compresor no podrá mantener las temperaturas apropiadas en el interior del electrodoméstico.

**No** bloquee la rejilla en la parte frontal inferior de su unidad. Es esencial que haya suficiente circulación de aire para que su electrodoméstico funcione correctamente.

### Installation

**Espacios para la instalación:** Debe dejar los siguientes espacios para facilitar la instalación, circulación correcta del aire, conexiones eléctricas y tuberías de agua:

Costados y parte superior	¾ pul.
Parte posterior	1 pul.



### NOTA

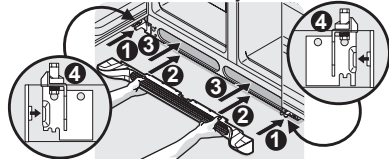
Si coloca la unidad dejando la bisagra de la puerta contra una pared, tal vez tenga que dejar más espacio para que la manija de la puerta pueda abrirse con mayor amplitud.

### Instalación y extracción de la rejilla inferior

#### Para instalar la rejilla inferior

1. Abra ambas puertas. Deslice el lado izquierdo y derecho de la rejilla inferior sobre las bisagras de la parte inferior del electrodoméstico.
2. Mientras empuja la rejilla inferior con firmeza contra el gabinete, asegure los sujetadores inferiores de la rejilla inferior al gabinete.
3. Asegure los sujetadores superiores al gabinete.
4. Cierre las puertas. Asegure los sujetadores de los costados derecho e izquierdo en la ranura de la bisagra inferior.

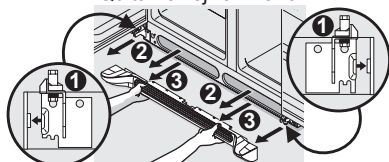
Instalación de la rejilla inferior



#### Para quitar la rejilla inferior

1. Estando ambas puertas cerradas, suelte los clips del lado derecho e izquierdo de la rejilla de la ranura de la bisagra inferior.
2. Abra ambas puertas. Presione firmemente la parte superior de la rejilla inferior hasta que se suelte la parte superior de la rejilla inferior.
3. Jale de la rejilla en dirección de su cuerpo y suelte las bisagras de la parte inferior.

Quitar la rejilla inferior



## Apertura de la puerta

### NOTA

Las puertas están diseñadas para cerrarse automáticamente con una apertura de 20 grados.

Coloque la unidad de manera que pueda facilitarse el acceso a un encimera o mesa al extraer los alimentos. Para aprovechar al máximo las gavetas y canastas del congelador, coloque el electrodoméstico en un lugar donde puedan abrirse completamente ambas puertas.

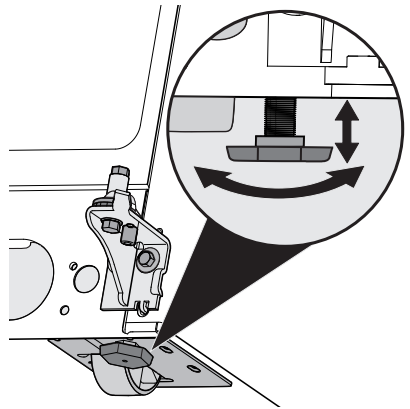
### Pautas para el posicionamiento final de la unidad:

- Apoye firmemente sobre el piso las 4 esquinas del gabinete.
- Nivel el gabinete en la parte delantera y trasera.
- Inclíne los lados  $\frac{1}{4}$  pul. (6 mm) desde el frente hacia atrás (para garantizar que las puertas cierren y sellen correctamente).
- Alinee las puertas entre sí y nivele.

### Cumpla con todas estas condiciones levantando o bajando los rodillos delanteros ajustables.

#### Para nivelar el gabinete mediante los rodillos frontales:

1. Abra ambas puertas y quite la rejilla inferior (consulte **“Instalación y extracción de la rejilla inferior”** en la sección **INSTALACIÓN**).
2. Cierra las puertas y usa una llave para subir (en sentido horario) o bajar (en sentido antihorario) los rodillos delanteros.



3. Verifique que ambas puertas se muevan libremente, que los sellos toquen el gabinete en los 4 costados.

# 8

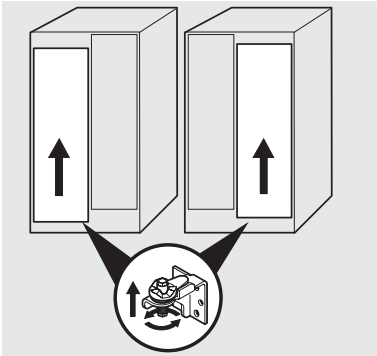
## INSTALACIÓN

### Para nivelar las puertas mediante la bisagra inferior ajustable:

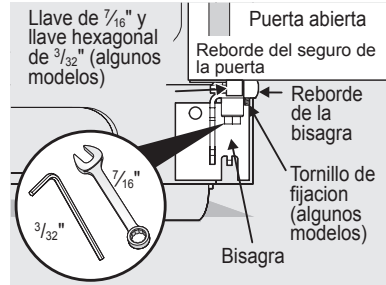
#### NOTA

Algunos modelos no tienen el tornillo de fijación. Para esos modelos, siga los pasos 2 a 4.

1. Antes de nivelar cualquier puerta, quite el tornillo de fijación que bloquea la altura de la puerta en su lugar. (No se puede ajustar la puerta sin quitar el tornillo de fijación).
2. Si la puerta del refrigerador queda más abajo que la puerta del congelador, suba la puerta del refrigerador girando hacia la izquierda el tornillo de ajuste con una llave de  $\frac{7}{16}$ ". (Ver la ilustración).
3. Si la puerta del congelador queda más abajo que la puerta del refrigerador, suba la puertas del congelador girando hacia la izquierda el tornillo de ajuste con una llave de  $\frac{7}{16}$ ". (Ver la ilustración).

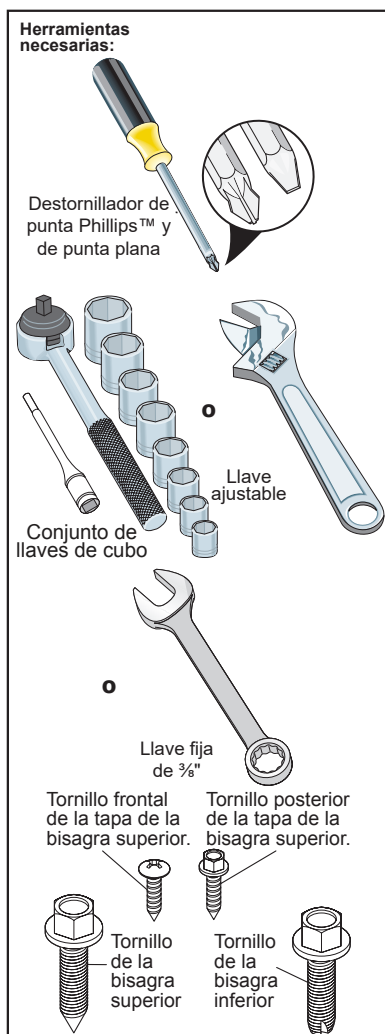


4. Después de nivelar, verifique que el tope de la puerta haga contacto con la bisagra inferior y la parte superior de la puerta no haga contacto con la bisagra superior en todo el ángulo de apertura de la puerta (de completamente cerrada a completamente abierta).



5. Vuelva a instalar el tornillo de fijación, bloqueando la altura de la puerta.
6. Reemplace la rejilla inferior colocándola en su lugar (consulte **“Instalación y extracción de la rejilla inferior”** en la sección **INSTALACIÓN**).



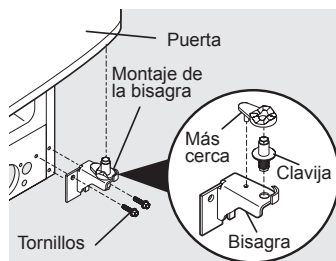
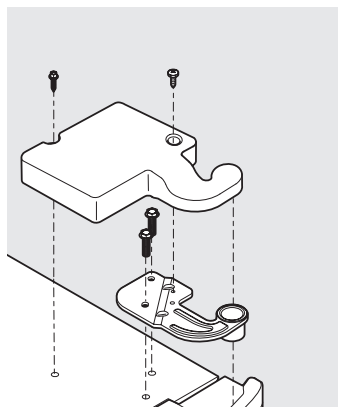


## Preparación para el desmontaje de las puertas:

1. Asegúrese de que el cordón eléctrico esté desenchufado del tomacorriente de la pared.
2. Abra ambas puertas y retire la rejilla inferior (como se explica en las instrucciones de instalación incluidas con su electrodoméstico).
3. Retire todo alimento que haya en los compartimientos de la puerta.
4. Cierre las puertas.

## Para retirar la bisagra/cubierta superior del refrigerador:

1. Retire los 2 tornillos de la cubierta que está sobre la bisagra de la puerta superior.
2. Levante la cubierta de la bisagra hacia arriba para retirarla.
3. Marque levemente con un lápiz alrededor de la bisagra superior de la puerta. Esto facilita la reinstalación.
4. Retire los 2 tornillos de la bisagra superior y suba en línea recta la bisagra. Levante la puerta para sacarla de la bisagra inferior y déjela a un lado.
5. Retire los 2 tornillos de la bisagra inferior y la bisagra si es necesario.



**Bisagra ajustable**

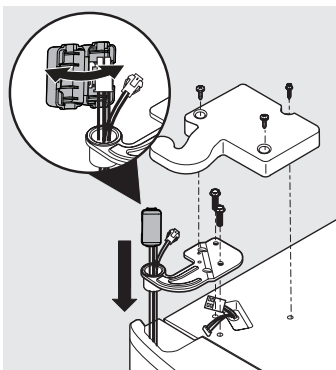
Para reinstalar la puerta del refrigerador, invierta los pasos anteriores.

# 10

## EXTRACCIÓN DE LA PUERTA

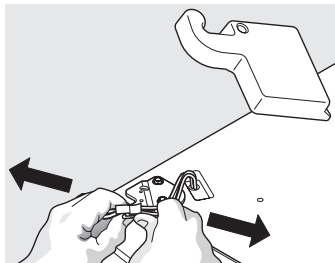
### Para retirar la cubierta de las bisagras superiores del congelador:

1. Retire los 2 tornillos de la cubierta que está sobre la bisagra de la puerta superior.
2. Levante la cubierta de la bisagra hacia arriba para retirarla.



### Para retirar la puerta del congelador:

1. Retire la cubierta del conector, introduzca el destornillador de punta plana en el complemento característica y gire.
2. Desconecte los 2 conectores del cable múltiple que están sobre la bisagra superior. Sujete firmemente los dos lados del conector, presione la presilla del conector y jale para desprenderlo. Retire el tornillo de tierra.



3. Marque con un lápiz levemente alrededor de la bisagra. Esto facilita la reinstalación.
4. Separe el tubo de agua del conector ubicado debajo de la puerta. El conector se desacopla cuando se oprime hacia adentro el manguito exterior.

### Desconecte

1. Oprima el aro exterior contra el accesorio.

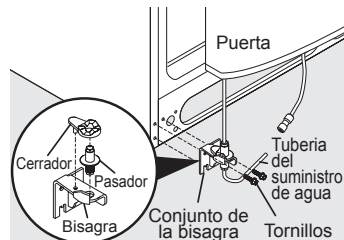


2. Luego tire para retirar el tubo.

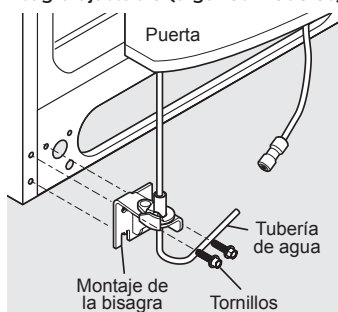
### Conecte



Insertando el tubo y empujando hasta que la marca toque el accesorio.



### Bisagra ajustable (algunos modelos)



### Bisagra no ajustable (algunos modelos)

5. Retire los 2 tornillos de la bisagra superior y suba en línea recta la bisagra, jalando los 2 cables múltiples que pasan a través de la bisagra. Suba la puerta para sacarla de la bisagra inferior. Levante la puerta para desacoplarla de la bisagra inferior.
6. Retire los dos tornillos de la bisagra inferior y la bisagra si es necesario.
7. Coloque la puerta de costado para evitar que se dañe el tubo de agua que se extiende desde la bisagra inferior.

Para reinstalar la puerta del congelador, invierta los pasos anteriores.



### PRECAUCIÓN

Asegúrese de dejar las puertas en una posición segura para que no puedan caerse ni causar lesiones personales.

## INSTALACIÓN DEL TIRADORES DE LA PUERTAS



### PRECAUCIÓN

Utilice guantes y lentes de seguridad y utilice CUIDADO extremo al instalar estos asideros. El fin redondeado de los asideros puede ser agudo (algunos modelos).



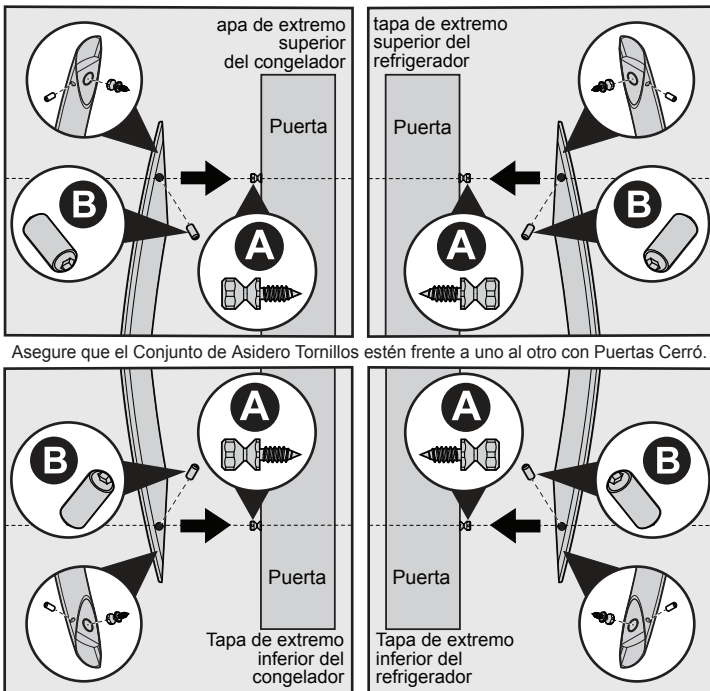
### IMPORTANTE

Para asegurar instalación apropiada de asideros, revise por favor estas instrucciones y las ilustraciones completamente antes de instalar los asideros.

### NOTA

Apriete hasta el fondo todos los tornillos de fijación de cabeza Allen de manera que queden por debajo de la superficie del tapón terminal de la manija. Coloque los tapones terminales de manera que queden firmemente asegurados y sin espacios, en las puertas del refrigerador y el congelador. Para evitar rayar la puerta metálica, mantenga la puerta abierta mientras aprieta los tornillos de fijación.

1. Retire las manijas de la caja y remueva cualquier otro material de empaque.
2. Coloque los tapones terminales de la manija del refrigerador sobre los pernos con resalto (A) preinstalados en la parte superior e inferior y asegurados en la puerta, comprobando que los orificios de los tornillos de fijación estén en dirección de la puerta del refrigerador.
3. Mientras sujeta firmemente la manija contra la puerta, apriete los tornillos de fijación de cabeza Allen superior e inferior (B) con la llave Allen suministrada.
4. Repita los pasos 2 y 3 para instalar la manija del refrigerador. Asegúrese de que los agujeros para los tornillos de fijación queden orientados hacia la puerta del congelador.



Asegure que el Conjunto de Asidero Tornillos estén frente a uno al otro con Puertas Cerró.

**ADVERTENCIA**

Para evitar descargas eléctricas, que pueden ocasionar la muerte o lesiones graves, desconecte la unidad de la fuente de alimentación eléctrica antes de conectar la línea de suministro de agua al electrodoméstico.

**PRECAUCIÓN**

Para evitar daños materiales:

- Utilice tubería trenzada de cobre o acero inoxidable para la línea de suministro de agua. Frigidaire no recomienda utilizar tubos plásticos de 1/4" para la línea de suministro de agua.
- Los tubos de plástico aumentan enormemente el potencial de fugas de agua y el fabricante no se responsabiliza de los daños ocasionados por el uso de tuberías con tubos de plástico.
- NO instale los tubos de suministro de agua en zonas en las que la temperatura descienda por debajo de la temperatura de congelación.
- Las sustancias químicas que genera un descalcificador averiado pueden dañar el sistema de fabricación de hielo. Si el sistema de fabricación de hielo está conectado a una toma de agua blanda, no olvide realizar el mantenimiento del descalcificador y verificar que funciona correctamente.

**IMPORTANTE**

Asegúrese de que la tubería de suministro de agua se ha conectado conforme a los reglamentos de fontanería locales.

**Antes de instalar la tubería de suministro de agua, se necesita lo siguiente:**

- Herramientas básicas: llave inglesa, destornillador de hoja plana y destornillador de tornillo Phillips™.
- Una tubería de agua fría en la vivienda con presión de entre 30 y 100 psi
- Una tubería de suministro de agua con tubos de cobre o acero inoxidable de 6,4 mm de diámetro exterior. Para determinar la longitud que deben tener los tubos, mida la distancia que separa la cañería de agua fría de la válvula de admisión del sistema de fabricación de hielo que hay en la parte trasera del frigorífico. Súmele aproximadamente 2,1 metros para que sea posible mover el frigorífico para limpiarlo (como se muestra).

- Una llave de paso para conectar la tubería de suministro de agua al suministro de agua doméstico. NO utilice llaves de paso autopercutoras.
- No vuelva a utilizar los accesorios de compresión ni utilice cinta para sellar roscas.
- Una tuerca de compresión y un casquillo (manguito) para conectar la tubería de suministro de agua de cobre a la válvula de admisión del sistema de fabricación de hielo.

**NOTA**

Antes de instalar el frigorífico nuevo, es conveniente conocer las recomendaciones de las autoridades locales de la vivienda en materia de tuberías de agua y materiales utilizados. Dependiendo de las normas locales o estatales para la construcción, Frigidaire aconseja emplear la tubería **Smart Choice**® 5304490728 (tubo de acero inoxidable de 1,82 m) en viviendas que dispongan de llave de paso, y la tubería **Smart Choice**® 5304490717 (tubo de cobre de 6 m con válvula transversal autorroscantes) en los demás casos. Para obtener más información, visite [Frigidaire.com](http://Frigidaire.com).

**Para conectar la tubería de suministro de agua a la válvula de admisión del sistema de fabricación de hielo:**

1. Desconecte el refrigerador de la fuente de alimentación eléctrica.
2. Coloque el extremo de la línea de suministro de agua en el fregadero o una cubeta. ABRA la fuente de suministro de agua y deje salir agua por la línea de suministro hasta que el agua que salga esté limpia. CIERRE el suministro de agua en la válvula de corte.
3. Quite y deseche la tapa de plástico de la toma del grifo.
4. **Si utiliza tubos de cobre** - Deslice la tuerca de compresión metálica, seguida del casquillo (manguito), en la tubería de suministro de agua. Encaje la tubería de suministro de agua en el grifo (6,4 mm). Deslice el casquillo (manguito) en la toma del grifo y apriete la tuerca de compresión en el grifo de forma manual. Luego utilice una llave para darle otra media vuelta, pero SIN apretarla en exceso. Consulte la Figura 1.

**Si utiliza el tubo flexible de acero**

**inoxidable trenzado** - La tuerca está ya montado en el tubo. Deslice la tuerca de hacia el interior de la entrada de la válvula y apriete manualmente la tuerca de sobre la válvula.

Ajuste otra media vuelta con una llave; NO apriete en exceso. Consulte la Figura 2.

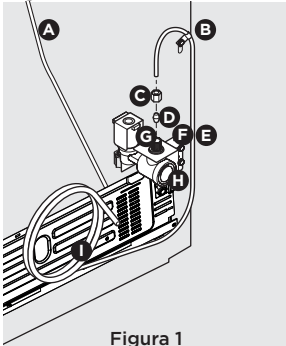


Figura 1

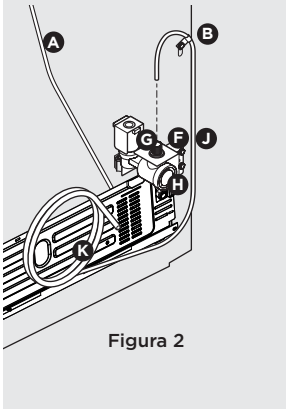


Figura 2

A	Tubo de agua de plástico al tubo de llenado de la fábrica de hielo
B	Abrazadera de acero
C	Tuerca de compresión de bronce
D	Casquillo (manga)
E	Línea de agua de cobre
F	Soporte de la válvula de agua
G	Entrada de la válvula
H	Válvula de agua
I	Línea de agua de cobre de la fuente de suministro de agua doméstica*
J	Línea de agua de acero inoxidable flexible trenzada
K	6 pies (1.8 m) Línea de agua de acero inoxidable flexible trenzada de la fuente de suministro de agua doméstica*

\*Incluya un tramo suficiente de tubo en el bucle para poder mover el refrigerador al realizar el trabajo de limpieza

- Utilice la abrazadera de acero y el tornillo para fijar la tubería de suministro de agua (sólo tubos de cobre) al panel trasero del refrigerador, como se muestra.
- Enrolle 2 vueltas y media la tubería (sólo tubos de cobre) que sobre detrás del refrigerador, como se muestra, y disponga los tubos enrollados de manera que no vibren ni sufran desgaste en contacto con otras superficies.
- Abra el suministro de agua mediante la llave de paso y apriete las conexiones por las que se produzcan fugas de agua.
- Vuelva a conectar el refrigerador a la toma de corriente.



## IMPORTANTE

Después de conectar el suministro de agua, consulte **“Cómo preparar el suministro de agua”** para obtener información fundamental sobre la forma de cebar y vaciar de agua el sistema de suministro.

El sistema de suministro de agua del refrigerador incluye varias líneas de tubería, un filtro de agua y una válvula de agua. Para garantizar que el dispensador de agua funcione correctamente, llene completamente el sistema con agua cuando conecte por primera vez el refrigerador a la línea de suministro de agua doméstica.

**NOTA**


El electrodoméstico puede tener algunas o todas las funciones o características que se enumeran a continuación. Familiarícese con estas características y su uso y cuidado.


**Interfaz de usuario de la puerta frontal****Cube**  
(Cubo)

Presione el botón **Cube** (Cubo) para obtener hielo en cubos. Una luz LED blanca indica que se ha seleccionado el mundo en cuestión. Presione hasta donde sea posible el vaso contra la paleta del dispensador de hielo para apagar todo hielo.

**Crush**  
(Triturado)

Presione el botón **Crush** (Triturado) para obtener hielo triturado. Una luz LED blanca indica que se ha seleccionado el mundo en cuestión. Presione hasta donde sea posible el cristal contra la paleta del dispensador de hielo para agarrar todo hielo.

**Light**  
(Luz) 

Presione el botón de la luz  para encender la luz del dispensador. Una luz LED blanca indica que se ha encendido la luz del dispensador. Vuelva a presionar el botón para apagar la luz.

**WATER**  
(Agua)

Para operar el dispensador de agua, presione un vaso contra la paleta dispensadora de **WATER** (Agua). Para dejar de dispensar agua, retire el vaso de la paleta dispensadora. El agua dispensada no está fría. Para agua más fría, agregue hielo picado o cubitos antes de dispensar agua.

**Water Filter Status**  
(Estado del filtro de agua)

Cuando sea necesario pedir un nuevo filtro de agua, la interfaz del usuario de la puerta lateral cambia por el Estado del pedido. Cuando sea necesario reemplazar el filtro de agua, la interfaz del usuario de la puerta lateral cambia al estado de reemplazo rojo y la interfaz del usuario delantera muestra el mensaje **Replace Water Filter** (Reemplazar el filtro de agua). Tras cambiar el filtro, mantenga presionado durante 3 segundos el botón **Water Filter** (Filtro de agua) para restaurar el estado.

**Air Filter**  
(Estado del filtro de aire)\*

Cuando sea necesario pedir un nuevo filtro de aire, la interfaz del usuario de la puerta lateral cambia por el Estado del pedido. Cuando sea necesario reemplazar el filtro de aire, la interfaz del usuario de la puerta lateral cambia al estado de Reemplazo rojo y la interfaz del usuario delantera muestra el mensaje **Replace Air Filter** (Reemplazar el filtro de aire). Tras cambiar el filtro, mantenga presionado durante 3 segundos el botón **Air Filter** (Filtro de aire) para restaurar el estado.

**\*Solo en algunos modelos**

**Alarmas**

**Power Outage**  
(Corte de energía)

Si se llegase a producir un corte de energía en un lugar donde la temperatura interna del refrigerador suba por encima del margen de la temperatura de seguridad, aparece el mensaje de advertencia **Power Outage** (Corte de energía) para recordarle que debe comprobar el estado de los alimentos. Además de la indicación, se produce una alarma sonora cada 60 segundos hasta que el usuario se dé por enterado. Presione cualquier botón para restaurar la alarma.

Si se llegase a producir un corte de energía en un lugar donde la temperatura interna del refrigerador se mantenga dentro del margen de la temperatura de seguridad, no se activa ninguna advertencia ni alarma cuando se restablece el suministro eléctrico.

**Door Open**  
(Puerta abierta)

Cuando una puerta está abierta, aparece el indicador **Door Open** (Puerta abierta) y desaparece cuando se cierra la puerta. Si una puerta permanece abierta durante más de 5 minutos, se produce una alarma sonora. La alarma continúa y se apaga cada 10 segundos hasta que el usuario se dé por enterado. Cierre la puerta para desactivar la alarma o presione cualquier motor en el control para deshabilitar temporalmente la alarma.

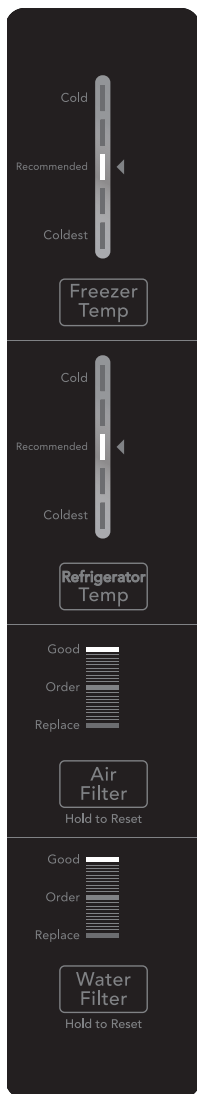
**High Temp**  
(Temperatura alta)

Cuando aumenta la temperatura interna del refrigerador y se mantiene durante un tiempo a una temperatura que está por encima del margen de la temperatura de seguridad, aparece la advertencia **High Temp** (Temperatura alta) para recordarle que debe comprobar el listado de los alimentos. Además de la indicación, se produce una alarma sonora cada 10 segundos hasta que el usuario se dé por enterado. Presione cualquier botón para restaurar la advertencia.

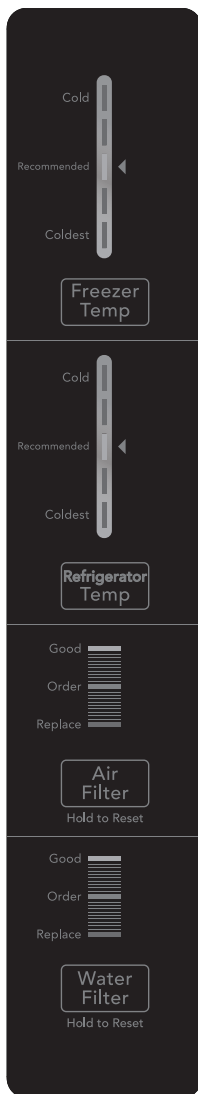
El refrigerador trata automáticamente de bajar la temperatura para mejorar el estado. Sin embargo, si la temperatura no disminuye después de un tiempo, la advertencia y la alarma vuelven a aparecer. Si el problema persiste, llame al 1 (800) 372-4432.

### Interfaz del usuario de la puerta

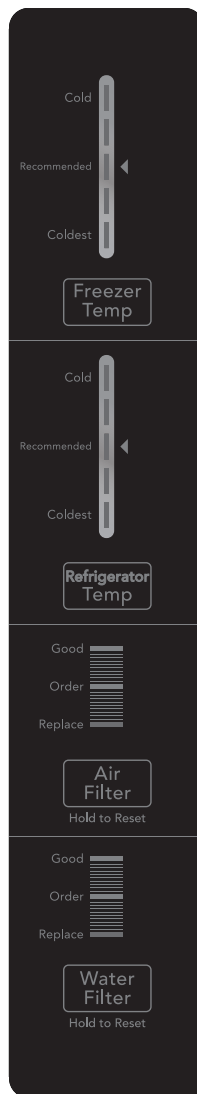
Vista del Modo activo



Vista del Modo inactivo



Vista del Modo Sleep (Reposo)





## Vistas del modo de visualización de control en la puerta

La pantalla está equipada con un modo de suspensión e inactivo para evitar cambios accidentales en la configuración de la unidad durante la apertura y cierre de las puertas. Cuando ambas puertas están cerradas, la pantalla se encuentra en modo de suspensión. Cuando se abre una de las puertas primero, la pantalla se encuentra en modo de inactivo en donde todos los ajustes actuales son visibles pero están atenuados.

Al presionar cualquier botón en la pantalla, ésta se activa y se escucha un tono. A continuación se encienden todos los ajustes. Toque la pantalla nuevamente para cambiar cualquier ajuste.

Si no se presiona ningún botón en un lapso de 10 segundos mientras alguna de las puertas está abierta, la pantalla vuelve por defecto al modo inactivo.

<p><b>Ajuste de temperatura</b></p>	<p>Ajuste la temperatura en forma gradual: ajuste en incrementos pequeños, dejando estabilizar la temperatura.</p> <ul style="list-style-type: none"> <li>• Para temperaturas menores, presione el botón <b>Temp</b> para cambiar el ajuste de temperatura en la dirección <b>Coldest</b> (La más fría).</li> <li>• Para temperaturas mayores, presione el botón <b>Temp</b> para cambiar el ajuste temperatura en la dirección <b>Cold</b> (Fría).</li> </ul> <p>Al ajustar el control del refrigerador se cambian la temperatura de los dos compartimientos. El control del refrigerador puede dejarse en el valor predeterminado por la fábrica (*Recomendado) o ajustarse según sea necesario.</p> <p>Para mantener las temperaturas, un ventilador circula el aire dentro de los compartimientos del refrigerador y el congelador. Para una buena circulación, no obstruya los conductos de aire frío con los alimentos.</p>
<p><b>Estado del filtro de aire*</b></p>	<p>La pantalla muestra el estado actual del filtro de aire (<b>Good</b> (Bueno), <b>Order</b> (Pedir), o <b>Replace</b> (Reemplazar)). Para restaurar el estado del filtro por <b>Good</b> (Bueno), mantenga presionado durante 3 segundos el botón <b>Air Filter</b> (Filtro de aire).</p>
<p><b>Estado del filtro de agua</b></p>	<p>La pantalla muestra el estado actual del filtro de agua (<b>Good</b> (Bueno), <b>Order</b> (Pedir), o <b>Replace</b> (Reemplazar)). Para restaurar el estado del filtro por <b>Good</b> (Bueno), mantenga presionado durante 3 segundos <b>Water Filter</b> (Filtro de agua).</p>

**\*Solo en algunos modelos**

## Cebado del sistema de suministro de agua



### PRECAUCIÓN

Para que el dispensador funcione correctamente, la presión recomendada del suministro de agua debe estar entre 30 psi y 100 psi. Una presión excesiva puede hacer que el sistema no funcione correctamente.

1. Comience a llenar el sistema presionando y sosteniendo un vaso contra la paleta del dispensador de agua.



Dispensador (varía según el modelo)

2. Mantenga el vaso en esta posición hasta que salga agua de dispensador. Puede tardar unos 1½ minutos. El agua chisporrotea hasta que se purgue todo el aire de las líneas de agua.
3. Continúe dispensando agua durante aproximadamente 4 minutos para purgar el sistema y las conexiones de las tuberías de cualquier impureza (deteniéndose para vaciar el vaso cuando sea necesario).

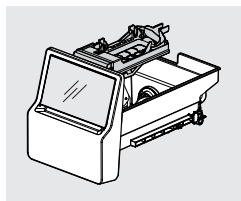
### NOTA

El agua dispensada no es fría. Para reducir la temperatura del agua, agregue hielo a la copa o el envase antes de dispensar el agua.

## Funcionamiento y cuidado de la fábrica de hielo

Después de instalar correctamente el refrigerador y de haber dejado enfriar durante varias horas, la fábrica de hielo puede producir hielo en un plazo de 24 horas. La fábrica de hielo llenará el contenedor de hielo desde la parte trasera. Debe dispensar algo de hielo para forzarlo hacia delante en el contenedor. Esto permitirá que el contenedor se llene por completo.

## Encendido de la fábrica de hielo



Para encender la fábrica de hielo, presione el interruptor de Encendido/Apagado de la fábrica de hielo, situado en la parte delantera de la fábrica de hielo para que el LED permanezca encendido.



### IMPORTANTE

Apagar la fábrica de hielo simplemente desactivará la producción de hielo. Aun así, podrá dispensar el hielo existente y agua.



### NOTA

La fábrica de hielo también tiene un brazo de señalización de plástico incorporado que detiene automáticamente la producción de hielo cuando el contenedor de hielo está lleno. No use este brazo de señalización para detener en forma manual la fábrica de hielo.

## Sugerencias para el dispensador y el productor de hielo

- Si se conservan los cubos de hielo durante un período prolongado, pueden adquirir un sabor desagradable. Vacíe el recipiente de hielo como se explica a continuación.
- De vez en cuando, sacuda el recipiente de hielo para mantener el hielo separado.
- Si su refrigerador no está conectado a un suministro de agua o el suministro de agua se ha cerrado, apague el fabricante de hielo.
- Si necesita una gran cantidad de hielo, es mejor obtener cubos directamente del recipiente de hielo.
- Es normal escuchar los siguientes sonidos cuando el productor de hielo está funcionando:
  - Motor funcionando
  - Hielo que cae en el recipiente de hielo
  - Válvula de agua que se abre o cierra

- Desprendimiento de hielo de la bandeja
- Agua que circula
- Cuando se dispensa hielo, escuchará un sonido de chasquido seco cuando el conducto de hielo se abre y cierra.
- Apague el productor de hielo cuando limpie el congelador y durante las vacaciones. Si apaga el productor de hielo durante un período prolongado de tiempo, también debe apagar la válvula de suministro de agua.



## PRECAUCIÓN

El tratamiento de agua puede producir componentes químicos que pueden dañar el productor de hielo. Si el suministro de agua hacia el refrigerador recibe tratamiento para ablandar el agua, asegúrese de mantener el tratamiento de forma adecuada.

## Limpieza del contenedor de almacenamiento de hielo

Limpie regularmente el contenedor de almacenamiento de hielo, en especial, antes de irse de vacaciones o mudarse.

### Para limpiar el contenedor de almacenamiento de hielo:

1. Apague la fábrica de hielo.
2. Extraiga el contenedor de almacenamiento de hielo levantándolo y sacándolo.
3. Vacíe y limpie con cuidado el contenedor de almacenamiento de hielo con un detergente suave. Enjuague con agua limpia. No utilice productos de limpieza fuertes ni abrasivos.
4. Deje secar completamente el contenedor de almacenamiento de hielo para volver a colocarlo en el congelador.
5. Extraiga los residuos de hielo y limpie el contenedor de almacenamiento de hielo, la repisa y el canal de la puerta del congelador.
6. Vuelva a colocar el contenedor de almacenamiento de hielo. Encienda la fábrica de hielo para reanudar la producción de y hielo.

### Retire y vacíe el compartimiento de almacenamiento de hielo si:

- Un corte de energía prolongado (una hora o más) hace que los cubos de hielo que están en el compartimiento de almacenamiento de hielo se derritan y se congelen en forma de bloque, trabando el mecanismo del dispensador.
- Usted no utiliza el dispensador de hielo con frecuencia. Los cubos de hielo se congelarán en forma de bloque en el compartimiento, trabando el mecanismo del dispensador.

Retire el compartimiento de almacenamiento de hielo y sacúdalo para aflojar los cubos o límpielo como se explica anteriormente.



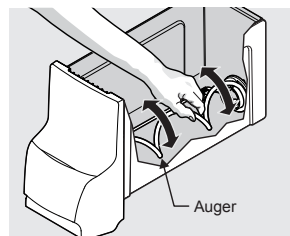
## PRECAUCIÓN

NUNCA use un picahielos o instrumento puntiagudo similar para romper el hielo. Esto podría dañar el compartimiento de almacenamiento para hielo y el mecanismo del dispensador.



## IMPORTANTE

Al retirar o volver a colocar el contenedor de almacenamiento de hielo, evite girar el tornillo sinfín que se encuentra dentro del contenedor de almacenamiento de hielo. Si por accidente gira el tornillo sinfín, debe volver a alinearlo girándolo a la vez 45 grados (véase a continuación) hasta que el contenedor de almacenamiento de hielo encaje en su lugar con el mecanismo de impulso; si el tornillo sinfín no está correctamente alineado al volver a colocar el contenedor de almacenamiento de hielo, el refrigerador no dispensa hielo. Es posible que la puerta del congelador no se cierre correctamente y que se filtre aire caliente en el compartimento del congelador.



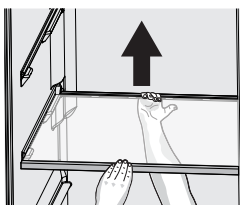


## PRECAUCIÓN

Para evitar lesiones corporales o daños a la propiedad, manipule los estantes de vidrio templado con cuidado. Los estantes se pueden quebrar de repente si se ranuran, rayan o exponen a un cambio brusco de temperatura. Espere a que los estantes de vidrio se estabilicen a temperatura ambiente antes de limpiar. No los lave en un lavavajillas.

## Ajuste del estante

Los estantes del refrigerador se ajustan fácilmente para adaptarse a las necesidades individuales. Antes de ajustar los estantes, retire todos los alimentos.



Estante de vidrio

La repisa se sostiene con los rieles laterales.

Para ajustar las repisas, levante la parte posterior de la repisa y jale hacia el frente.

Vuelva a colocar la repisa deslizándola sobre los rieles moldeados en las paredes laterales del gabinete hasta que los ganchos plásticos de la parte posterior de la repisa queden asegurados en la parte posterior del revestimiento del gabinete.

## Almacenamiento de la puerta

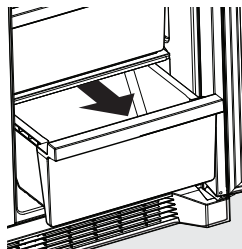
Los compartimientos y estantes de la puerta se proporcionan para un almacenamiento práctico de jarras, botellas y latas. Puede seleccionar con rapidez los productos que usa con frecuencia.

Algunos modelos cuentan con compartimientos en la puerta que pueden contener envases de bebidas de plástico de 1 galón y jarras y envases de tamaño económico. Algunos compartimientos se ajustan para una capacidad máxima de almacenamiento.

El compartimiento de lácteos, que es más cálido que la sección de almacenamiento de alimentos generales, tiene como finalidad el almacenamiento a corto plazo de queso, comida para untar o manteca.

## Cajones para frutas y verduras

Los cajones para frutas y verduras le permiten la flexibilidad de almacenar cualquier tipo de artículo, incluso frutas, verduras, nueces, etc. Los cajones para frutas y verduras no presentan controles de humedad.



Cajones para frutas y verduras

## Deli cajón (algunos modelos)

Algunos modelos están equipados con un cajón de delicatessen para almacenamiento de embutidos, patés, quesos y otros productos de delicatessen. Este cajón no tiene un control de temperatura independiente.



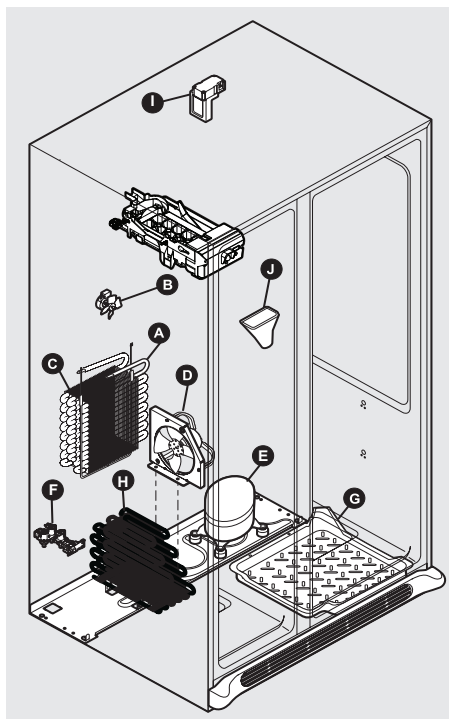
Deli cajón

## Comprender los sonidos que puede escuchar

Su nueva unidad de alta eficiencia puede generar sonidos desconocidos. Por lo general estos sonidos indican que el electrodoméstico funciona correctamente. Algunas superficies en los pisos, paredes y armarios de cocina pueden hacer que estos sonidos se noten más.

La siguiente es una lista de los principales **componentes** de su unidad y los sonidos que pueden generar:

- A Evaporador** El refrigerante a través del evaporador puede crear un *sonido de ebullición o gorgoteo*.
- B Ventilador del evaporador** Es posible que escuche que el ventilador del evaporador fuerza el *aire a través del refrigerador*.
- C Calentador de descongelación** Durante los ciclos de descongelación, el agua que gotea sobre el calentador de descongelación puede causar un *silbido o un chisporroteo*. Después de descongelar, puede producirse un *sonido de explosión*.
- D Ventilador del condensador** Es posible que escuche la salida de *aire forzado por el condensador*.
- E Compresor** Los compresores modernos de alta eficiencia funcionan mucho más rápido que en el pasado. El compresor puede tener un *zumbido agudo o un sonido pulsante*.
- F Válvula de agua** Produce un *zumbido* cada vez que se abre para llenar el productor de hielo.
- G Bandeja de drenaje (no extraíble)** Es posible que escuche *agua goteando* en la bandeja de drenaje durante el ciclo de descongelación.
- H Condensador** El condensador puede crear *sonidos mínimos del aire forzado*.
- I Humectador motorizado** Puede producir un *zumbido intermitente* durante su funcionamiento.
- J Conducto de hielo** Cuando se dispensa hielo, escuchará un sonido de *chasquido seco* cuando el interruptor magnético se abre y cierra.
- K Máquina de hielo** Cuando se haya producido hielo, oírás que *los cubitos de hielo caen* en el depósito de hielo.



### 📌 NOTA

El aislamiento de espuma rígida ahorra energía, pero no es un buen aislante de sonido.

### 📌 NOTA

Durante el ciclo de descongelación automática, es posible que note un brillo rojo en los respiraderos de la pared trasera del congelador.

## Filtro de agua PurePour™

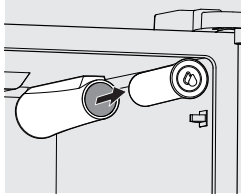
Mantenga el agua fluyendo limpia y con un excelente sabor con un filtro de agua PurePour™. Al usar un filtro de agua PurePour™:

- **Hace que el agua segura sea una segunda naturaleza**  
Los filtros de agua PurePour™ están certificados para reducir los contaminantes\* y mantener fluyendo agua de excelente sabor para usted y su familia.
- **Produce pureza en la que usted puede confiar**  
Tendrá la certeza de que su filtro de agua PurePour™ es un protector. Las falsificaciones y las imitaciones ponen en riesgo los refrigeradores y la salud. Los filtros originales Frigidaire son la opción más inteligente y segura.
- **Cada gota es recuperada**  
En asociación con los esfuerzos de sostenibilidad, el uso de un filtro de agua PurePour™ ayuda a reducir el costo y el uso de los plásticos utilizados para producir y envasar agua embotellada.

\*Para ver la lista completa, consulte la Hoja de datos de rendimiento en [Electroluxappliances.com](http://Electroluxappliances.com)

## Reemplazo del filtro de agua

El filtro de agua se encuentra en la parte superior derecha del compartimento del refrigerador.



En general, debe cambiar el filtro de agua cada seis meses para garantizar la mejor calidad de agua posible. El **Estado del filtro de agua** en la interfaz del usuario le indica que es necesario reemplazar el filtro después de que ha fluido a través del sistema una cantidad estándar de agua (125 gal/453 L para PurePour™).

Si no ha utilizado el refrigerador durante un tiempo (por ejemplo, durante un traslado), cambie el filtro antes de volver a instalar el refrigerador.

## Pedido de filtros de repuesto

Para pedir filtros de repuesto, visite nuestra tienda en línea en [frigidaire.com](http://frigidaire.com), llame al número gratuito 1 (800) 372-4432, o visite el distribuidor donde adquirió el refrigerador. Frigidaire recomienda que solicite filtros adicionales cuando instala por primera vez su refrigerador y que reemplace sus filtros al menos una vez cada 6 meses.

Los números de producto para pedidos son:

PurePour™ Filtro de agua  
Part# **FPWFU01™**



### NOTA

Al pedir el filtro de repuesto, cerciórese de que sea del mismo tipo del que se utiliza actualmente en su refrigerador.

## Más información sobre su filtro de agua avanzado



El sistema del filtro de hielo y agua PurePour™ está probado y certificado según las normas NSF/ANSI 42, 53, 401 y CSA B483.1 para la reducción de reclamaciones especificadas en la hoja de datos de rendimiento. Para obtener más información, visite [frigidaire.com](http://frigidaire.com).

No utilice este sistema con agua que no sea microbiológicamente segura o de calidad desconocida sin un tratamiento desinfectante adecuado antes o después de pasar por el sistema filtrante. Use sistemas certificados para la reducción de quistes en aguas desinfectadas que pueden contener quistes filtrables.

## Resultados de certificación y prueba:

- Capacidad nominal - 125 gal/453 L para el sistema PurePour™ y el filtro de hielo y agua
- Flujo de servicio nominal - .50 gal/min.
- Temp. de funcionamiento: Mín. 33°F, Máx. 100°F
- Presión máxima nominal: 100 libras por pulgada cuadrada
- Presión mínima recomendada para el funcionamiento: 30 libras por pulgada cuadrada

## Para reemplazar su filtro de PurePour™:

No es necesario desactivar el suministro de agua para cambiar el filtro. Está listo para secar cualquier pequeña cantidad de agua que se libere durante el cambio del filtro.

1. **Apague** el fabricante de hielo.
2. Extraiga el filtro empujando el extremo o la parte frontal del filtro.
3. Deslice el antiguo cartucho del filtro de agua directamente fuera del compartimiento y descártelo.
4. Desenvuelva el nuevo cartucho del filtro. Mediante el uso de la guía de alineación, deslícelo suavemente dentro del compartimiento del filtro hasta que se detenga contra el conector de ajuste a presión en la parte posterior del compartimiento.

5. Empuje con firmeza hasta que el cartucho se enganche en el lugar (debe escuchar un chasquido mientras el cartucho engancha el conector de ajuste a presión).
6. Presione un vaso de beber contra el dispensador de agua mientras verifica la existencia de alguna pérdida en el compartimiento del filtro. Es normal que se produzcan chorros y borbotones mientras el sistema purga el aire del sistema del dispensador.
7. Después de llenar un vaso de agua, continúe purgando el sistema durante 4 minutos.
8. Encienda el fabricante de hielo.
9. Mantenga presionado el botón de Filtro de agua en el panel de control Dispensador de agua y hielo durante tres segundos. Cuando el indicador cambia de "rojo" a "verde", el estado se ha restaurado.

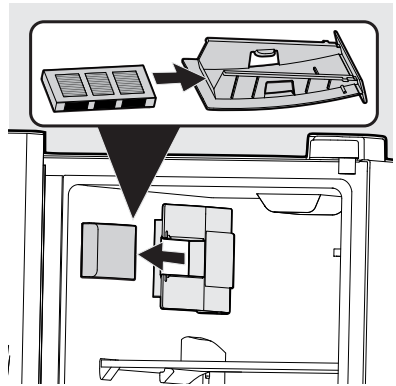
### Filtro de aire (algunos modelos)

Algunos modelos están equipados con un filtro de previamente cargado que está situado en la parte superior del compartimiento de alimentos frescos, junto al filtro de agua.

### Reemplazo del filtro de aire

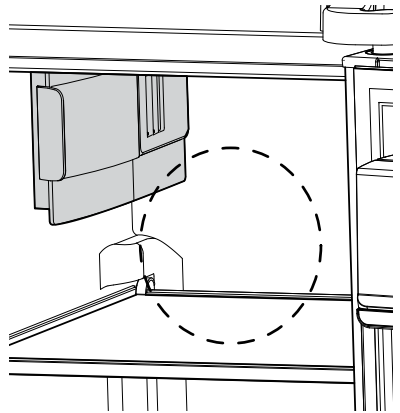
Debe cambiar el filtro de aire cada 6 meses (la luz de estado del filtro del panel de control le indica que debe reemplazar el filtro a los 6 meses) para optimizar la reducción de olores del refrigerador. Los diferentes tipos de alimentos emiten olores de intensidad diversa. Para instalar el nuevo filtro de aire **PAULTRA2™ PureAir Ultra II™**:

1. Jale y extraiga en línea recta el alojamiento del filtro de aire.
2. Retire el filtro de aire viejo y deséchelo (si fuese el caso).
3. Desempaque el nuevo filtro y colóquelo en el interior del alojamiento.
4. Deslice hacia atrás el alojamiento del filtro hasta que queden su posición.
5. Active o restaure la luz de estado del Filtro de aire en el panel de control.



### Alojamiento del humectador/filtro de aire

En las regiones húmedas ciertos productos que se almacenan demasiado cerca del alojamiento del humectador/filtro de aire, pueden congelarse. Cuando ocurre esto, regule el ajuste de la temperatura para alimentos frescos y vuelva a configurar el almacenamiento de la repisa superior para que el aire pueda difundirse apropiadamente.



# 24 CUIDADO Y LIMPIEZA

## Protegiendo su inversión

Si mantiene limpio el electrodoméstico, conservará su apariencia y evitará que se acumulen olores. Limpie cualquier derrame de inmediato y limpie los compartimentos del congelador y el refrigerador al menos dos veces al año. Al limpiar, tome las siguientes precauciones:

- Nunca use CLORURO o limpiadores con blanqueador para limpiar el acero inoxidable.
- No lave ninguna pieza removible en un lavaplatos.
- Desenchufe siempre el cable de alimentación eléctrica del tomaorriente antes de limpiarlo.
- Retire las etiquetas adhesivas a mano. No utilice cuchillas de afeitar u otros instrumentos afilados que puedan rayar la superficie del aparato.
- No quite la placa de serie.

No utilice limpiadores abrasivos como aerosoles para ventanas, limpiadores para fregar, cepillos, líquidos inflamables, ceras de limpieza, detergentes concentrados, blanqueadores o limpiadores que contengan productos derivados del petróleo en piezas de plástico, puertas interiores, juntas o revestimientos de gabinetes. No use toallas de papel, estropajos metálicos u otros materiales de limpieza abrasivos o soluciones alcalinas fuertes.

### NOTA

Si configura los controles de temperatura para apagar el enfriamiento, la alimentación de las luces y otros componentes eléctricos continuará hasta que desconecte el cable de alimentación del tomaorriente.

### PRECAUCIÓN

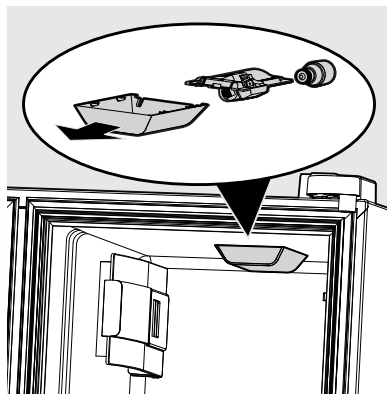
- Tire de la unidad en sentido recto para moverla. Moverlo de lado a lado podría dañar el piso. Tenga cuidado de no mover el electrodoméstico más allá de las conexiones de plomería.
- Los objetos húmedos se pegan en las superficies frías de metal. No toque la superficie refrigerada con las manos mojadas o húmedas.
- Los cambios bruscos de temperatura pueden causar la rotura del vidrio.

## IMPORTANTE

Si almacena o mueve su refrigerador a temperaturas de congelación, asegúrese de drenar por completo el sistema de suministro de agua. De lo contrario, podrían producirse fugas al volver a poner en servicio la unidad. Contacte a un representante de servicio para que realice esta operación.

## Reemplazo del bombillo LED

1. Desenchufe el refrigerador.
2. Utilizando guantes, deslice la cubierta transparente del bombillo junto con la parte superior de la unidad hacia el frente de la unidad.
3. Reemplace el bombillo LED viejo por un bombillo que no tenga más de 5 W.  
**Precaución:** Utilice guantes para reemplazar el bombillo LED y así evitar cortarse. Use un bombillo del mismo vatiage cuando reemplace el bombillo LED.
4. Vuelva a colocar la cubierta del bombillo. 5. Enchufe el refrigerador.





Consejos de cuidado y limpieza		
Parte	Que utilizar	Consejos y precauciones
<b>Revestimientos interiores y de puertas</b>	<ul style="list-style-type: none"> <li>Jabón y agua</li> <li>Bicarbonato de sodio y agua</li> </ul>	Use 2 cucharadas de bicarbonato de sodio en 1 qt de agua tibia. <b>Asegúrese de escurrir el exceso de agua de la esponja o paño antes de limpiar alrededor de los controles, la bombilla o cualquier pieza eléctrica.</b>
<b>Juntas de puerta</b>	<ul style="list-style-type: none"> <li>Jabón y agua</li> </ul>	Limpie las juntas con un paño suave y limpio.
<b>Cajones y contenedores</b>	<ul style="list-style-type: none"> <li>Jabón y agua</li> </ul>	Use un paño suave para limpiar las ruedas y pistas del cajón.
<b>Estantes de vidrio</b>	<ul style="list-style-type: none"> <li>Jabón y agua</li> <li>Limpiador de vidrio</li> <li>Aerosoles líquidos suaves</li> </ul>	Deje que el vidrio se caliente a temperatura ambiente antes de sumergirlo en agua tibia.
<b>Rejilla inferior</b>	<ul style="list-style-type: none"> <li>Jabón y agua</li> <li>Aerosoles líquidos suaves</li> <li>Accesorio de vacío</li> </ul>	Aspire el polvo del frente de la rejilla de los dedos. Retire la rejilla inferior (consulte las instrucciones de instalación). Aspire la parte trasera, limpie con un paño con agua jabonosa o una esponja. Enjuague y seque.
<b>Exterior y manijas</b>	<ul style="list-style-type: none"> <li>Jabón y agua</li> <li>No abrasivo limpiador de vidrio</li> </ul>	No use limpiadores comerciales domésticos que contengan amoníaco, lejía o alcohol para limpiar las manijas. Use un paño suave para limpiar las manijas lisas. <b>NO use un paño seco para limpiar puertas lisas.</b>
<b>Exterior y manijas (Solo modelos de acero inoxidable)</b>	<ul style="list-style-type: none"> <li>Jabón y agua</li> <li>Limpiadores de acero inoxidable</li> </ul>	<b>Nunca use CLORURO o limpiadores con blanqueador para limpiar el acero inoxidable.</b> Limpie el frente y las manijas de acero inoxidable con agua jabonosa no abrasiva y un paño de cocina. Enjuague con agua limpia y un paño suave. Use un limpiador de acero inoxidable no abrasivo. Estos limpiadores se pueden comprar en la mayoría de las mejoras para el hogar o en los grandes almacenes principales. Siempre siga las instrucciones del fabricante. No utilice productos de limpieza domésticos que contengan amoníaco o lejía. <b>NOTA: Siempre limpie, limpie y seque con el grano para evitar arañazos.</b> Lave el resto del gabinete con agua tibia y detergente líquido suave. Enjuague bien y seque con un paño limpio y suave.
<b>Reemplazo de bombillas</b>	<ul style="list-style-type: none"> <li>Desenchufe el aparato</li> <li>Use guantes</li> <li>Vuelva a colocar la cubierta de la luz del refrigerador deslizándola hacia el frente por la parte superior</li> <li>Reemplace la bombilla LED.</li> <li>Reemplace la cubierta de la luz.</li> <li>Enchufe el refrigerador.</li> </ul>	<b>ATENCIÓN: Use guantes cuando reemplace las bombillas LED para evitar cortes.</b> Utilice el mismo vataje cuando reemplace la bombillas LED.

# 26 SOLUCIÓN DE PROBLEMAS

¡Permitanos ayudarlo a resolver su inquietud! Esta sección lo ayudará con problemas comunes. Si nos necesita, visite nuestro sitio web, chatee con un agente o llámenos. Es posible que podamos ayudarlo a evitar una visita de servicio. Si necesita servicio, ¡podemos comenzar por usted!

1-800-374-4432 (Estados Unidos)  
Frigidaire.com

1-800-265-8352 (Canadá)  
Frigidaire.ca

PROBLEMA	CAUSA	SOLUCIÓN
<b>PRODUCTOR AUTOMÁTICO DE HIELO</b>		
<b>El productor de hielo no produce hielo.</b>	<ul style="list-style-type: none"> <li>La fábrica de hielo no está encendida.</li> <li>La válvula de asiento autorroscante de la tubería de agua fría está tapada o bloqueada por partículas extrañas.</li> </ul>	<ul style="list-style-type: none"> <li>Asegúrese de que la fábrica de hielo esté encendida (luz verde).</li> <li>Cierre la válvula de la tubería de suministro doméstico de agua. Retire la válvula. La válvula no debe ser una válvula de asiento autorroscante autopercutor. Limpie la válvula. Reemplace la válvula en caso de que sea necesario.</li> </ul>
<b>El productor de hielo no produce suficiente hielo.</b>	<ul style="list-style-type: none"> <li>Controle si el dispensador de agua está dispensando más lento de lo normal.</li> <li>El control de refrigeración está puesto demasiado caliente.</li> </ul>	<ul style="list-style-type: none"> <li>Si es así, reemplace el cartucho del filtro de agua y hielo.</li> <li>Establecer el control congelador a más frío o ajuste para mejorar el rendimiento de la máquina de hielo. Espere 24 horas para que la temperatura se estabilice.</li> </ul>
<b>El productor de hielo no deja de producir hielo.</b>	<ul style="list-style-type: none"> <li>El brazo de la máquina de hielo está siendo presionado por algún artículo en el congelador.</li> </ul>	<ul style="list-style-type: none"> <li>Mueva el artículo y suelte el brazo. Retire los cubitos de hielo que estén congelados juntos sobre el brazo.</li> </ul>
<b>Los cubos de hielo se congelan en forma de bloque.</b>	<ul style="list-style-type: none"> <li>Los cubos de hielo no se utilizan con demasiada frecuencia.</li> <li>Los cubos de hielo están huecos (cubos congelados parcialmente con agua adentro).</li> <li>El control del congelador está configurado con una temperatura demasiado alta.</li> </ul>	<ul style="list-style-type: none"> <li>Quite el recipiente de hielo y deseche el hielo del recipiente. El productor de hielo produce suministro fresco.</li> <li>Es posible que el cartucho del filtro de agua y hielo esté tapado. Reemplace el cartucho del filtro.</li> <li>Configure el control del congelador a una temperatura más baja. Espere 24 horas hasta que la temperatura se estabilice.</li> </ul>
<b>DISPENSADOR (hielo y agua)</b>		
<b>El dispensador no dispensa hielo.</b>	<ul style="list-style-type: none"> <li>El bloqueo del dispensador está activado.</li> <li>Las puertas del refrigerador no están completamente cerradas. La paleta del dispensador se ha presionado durante demasiado tiempo y el motor del dispensador se recalentó.</li> <li>La paleta del dispensador se ha presionado durante demasiado tiempo y el motor del dispensador se recalentó.</li> <li>No dispensar hielo con regularidad, puede hacer que se derrita y vuelva congelarse el hielo y, por consiguiente, producirse bloques de hielo. Dispensar bloques de hielo puede causar daños a la cubeta de hielo.</li> </ul>	<ul style="list-style-type: none"> <li>Consulte la sección "<b>El productor de hielo no produce hielo</b>" que figura arriba.</li> <li>Asegurese de que las puertas del refrigerador estén completamente cerradas.</li> <li>El protector de sobrecarga del motor se reiniciará en aproximadamente 3 minutos y luego se podrá obtener hielo del dispensador</li> <li>Vacíe la cubeta de hielo cada mes o dispense hielo con regularidad. Para períodos más prolongados (por vacaciones o casas vacías), consulte <b>Recomendaciones para la fábrica/dispensador de hielo</b> en la sección <b>DISPENSADOR AUTOMÁTICO DE AGUA Y HIELO</b> para apagar la fábrica de hielo.</li> </ul>

PROBLEMA	CAUSA	SOLUCIÓN
<b>DISPENSADOR (hielo y agua) (continuado)</b>		
<b>El dispensador de hielo está trabado.</b>	<ul style="list-style-type: none"> <li>• El hielo se ha derretido y congelado alrededor de la barrena debido al uso poco frecuente, las fluctuaciones de temperatura y los cortes de luz.</li> <li>• Los cubos de hielo están trabados entre el productor de hielo y la parte posterior del recipiente de hielo.</li> </ul>	<ul style="list-style-type: none"> <li>• Quite el recipiente de hielo, descongele y vacíe el contenido. Limpie el recipiente, limpie en seco y reemplace en la posición correcta. Cuando esté hecho el hielo nuevo, el dispensador debería funcionar. Consulte <b>Limpieza del contenedor de almacenamiento de hielo</b>, en la sección <b>DISPENSADOR AUTOMÁTICO DE AGUA Y HIELO</b>.</li> <li>• Quite los cubos de hielo que están atascando el dispensador.</li> </ul>
<b>El dispensador no dispensará agua.</b>	<ul style="list-style-type: none"> <li>• El filtro de agua no está correctamente colocado.</li> <li>• El filtro de agua está tapado.</li> <li>• La válvula de la tubería de suministro doméstico de agua no está abierta.</li> </ul>	<ul style="list-style-type: none"> <li>• Extraiga y reinstale el filtro de agua. Asegúrese de empujar el filtro con firmeza, de manera que pueda escuchar cuando se trabe completamente en su lugar.</li> <li>• Reemplace el cartucho del filtro. Asegúrese de retirar las tapas protectoras y de empujar el filtro con firmeza, de manera que pueda escuchar cuando se trabe completamente en su lugar.</li> <li>• Abra la válvula de la tubería de suministro doméstico de agua.</li> </ul>
<b>El agua tiene un gusto y olor desagradable.</b>	<ul style="list-style-type: none"> <li>• No se ha dispensado agua durante un período de tiempo prolongado.</li> <li>• La unidad no está conectada correctamente a la tubería de agua fría.</li> </ul>	<ul style="list-style-type: none"> <li>• Saque y tire entre 10 y 12 vasos de agua para refrescar el suministro y enjuagar completamente el tanque.</li> <li>• Conecte la unidad a la tubería de agua fría que suministra agua al grifo de la cocina.</li> </ul>
<b>La presión del agua es demasiado baja.</b>	<ul style="list-style-type: none"> <li>• Las presiones de corte y encendido son demasiado bajas (sólo los sistemas de pozos).</li> <li>• El sistema de ósmosis inverso es una fase regenerativa.</li> </ul>	<ul style="list-style-type: none"> <li>• Haga que una persona suba la presión de corte y encendido en el sistema de bomba de agua (sólo los sistemas de pozo).</li> <li>• Es normal que un sistema de ósmosis inverso sea inferior a 20 psi durante la fase regenerativa.</li> <li>• Consulte <b>CONEXIÓN DE SUMINISTRO DE AGUA</b>.</li> </ul>
<b>El agua no está lo suficientemente fría.</b>	<ul style="list-style-type: none"> <li>• A medida que el agua más cálida del grifo atraviesa el filtro e ingresa en el tanque de agua, esta empuja el agua fría a través del dispensador. Una vez que se agote el agua fría, se requerirán varias horas para que el agua recién reemplazada se enfríe.</li> <li>• Algunos modelos están diseñados sin un tanque de agua, estos sistemas dispensadores de agua no están diseñados para enfriar el agua</li> </ul>	<ul style="list-style-type: none"> <li>• Agregue hielo en la taza o en el recipiente antes de dispensar agua.</li> <li>• Añadir hielo al vaso o contenedor antes de dispensación de agua.</li> </ul>

# 28 SOLUCIÓN DE PROBLEMAS

PROBLEMA	CAUSA	SOLUCIÓN
<b>APERTURA/CIERRE DE PUERTAS/CAJONES</b>		
<b>Las puertas no se cierran.</b>	<ul style="list-style-type: none"> <li>• La puerta se cerró demasiado fuerte, lo que causó que otra puerta se abriera ligeramente.</li> <li>• El refrigerador no está nivelado. Se balancea en el piso cuando se mueve ligeramente. El refrigerador está tocando una pared o un gabinete.</li> </ul>	<ul style="list-style-type: none"> <li>• Cierre ambas puertas suavemente.</li> <li>• Verifique que el piso esté nivelado, sea sólido y que pueda soportar adecuadamente el peso del refrigerador. Llame a un carpintero para corregir el hundimiento o desnivel del piso.</li> </ul>
<b>Es difícil mover los cajones.</b>	<ul style="list-style-type: none"> <li>• Los alimentos entran en contacto con el estante que se encuentra encima del cajón.</li> <li>• El riel de los cajones está sucio.</li> </ul>	<ul style="list-style-type: none"> <li>• Quite la capa superior de los elementos en el cajón.</li> <li>• Asegúrese de que el cajón esté instalado correctamente en el riel.</li> <li>• Limpie el cajón, los rodillos y el riel. Consulte <b>CUIDADO Y LIMPIEZA</b>.</li> </ul>
<b>FUNCIONAMIENTO DEL REFRIGERADOR</b>		
<b>El compresor no funciona.</b>	<ul style="list-style-type: none"> <li>• El control del congelador está configurado en "APAGADO" o "O".</li> <li>• El refrigerador está en el ciclo de descongelación.</li> <li>• El cable eléctrico está desenchufado.</li> <li>• Se ha quemado un fusible de la casa o se ha disparado el cortacircuitos.</li> <li>• Interrupción de la energía eléctrica.</li> </ul>	<ul style="list-style-type: none"> <li>• Configure el control del congelador.</li> <li>• Esto es normal en un refrigerador con descongelación automática. El ciclo de descongelación se realiza periódicamente y dura aproximadamente 30 minutos.</li> <li>• Compruebe que el enchufe esté firmemente encajado en el tomacorrientes.</li> <li>• Verifique o reemplace el fusible con un fusible de acción retardada de 15 amp. Reestablezca el disyuntor.</li> <li>• Verifique las luces de la vivienda. Llame a la compañía eléctrica.</li> </ul>
<b>FUNCIONAMIENTO DEL REFRIGERADOR (continuado)</b>		
<b>El refrigerador funciona demasiado o por demasiado tiempo.</b>	<ul style="list-style-type: none"> <li>• La temperatura ambiente es elevada o el clima es cálido.</li> <li>• Las puertas se abren con demasiada frecuencia o por demasiado tiempo.</li> <li>• La puerta del congelador o refrigerador puede estar levemente abierta.</li> <li>• El control del congelador tiene un valor de temperatura demasiado fría.</li> <li>• La junta del congelador o refrigerador está sucia, gastada, agrietada o mal ajustada.</li> <li>• El condensador está sucio.</li> </ul>	<ul style="list-style-type: none"> <li>• Es normal que el refrigerador funcione más bajo estas condiciones.</li> <li>• El aire caliente que entra en el refrigerador lo hace funcionar más. Abra las puertas con menor frecuencia.</li> <li>• Asegúrese de que el refrigerador esté nivelado. No permita que los alimentos y envases bloqueen la puerta. Consulte en la columna <b>PROBLEMA, APERTURA/ CIERRE DE PUERTAS/CAJONES</b>.</li> <li>• Coloque el control de refrigerador con un valor de temperatura más alta hasta que la temperatura del refrigerador sea satisfactoria. Deje pasar 24 horas para que la temperatura se establezca.</li> <li>• Limpie o cambie la junta. Las pérdidas del sello de la puerta harán que el refrigerador funcione más para mantener la temperatura deseada.</li> <li>• Limpie el condensador. Consulte <b>CUIDADO Y LIMPIEZA</b>.</li> </ul>
<b>El compresor se enciende y apaga con frecuencia.</b>	<ul style="list-style-type: none"> <li>• El termostato mantiene el refrigerador a una temperatura constante.</li> </ul>	<ul style="list-style-type: none"> <li>• Esto es normal. El refrigerador se enciende y se apaga para mantener la temperatura constante.</li> </ul>

PROBLEMA	CAUSA	SOLUCIÓN
<b>INDICADOR DIGITAL DE TEMPERATURA</b>		
Los indicadores digitales de temperatura están parpadeando.	<ul style="list-style-type: none"> <li>El sistema de control electrónico ha detectado un problema de funcionamiento.</li> </ul>	<ul style="list-style-type: none"> <li>Llame a su representante del servicio técnico de Frigidaire, quien podrá interpretar cualquier mensaje o código numérico que parpadee en los indicadores digitales.</li> </ul>
<b>AGUA/HUMEDAD/ESCARCHA DENTRO DEL REFRIGERADOR</b>		
Se junta humedad dentro de las paredes del refrigerador.	<ul style="list-style-type: none"> <li>El clima es caluroso y húmedo.</li> <li>La puerta está ligeramente abierta.</li> </ul>	<ul style="list-style-type: none"> <li>Se acelera la velocidad de acumulación de escarcha y condensación interna.</li> <li>Consulte en la columna <b>PROBLEMA, APERTURA/CIERRE DE PUERTAS/ CAJONES.</b></li> </ul>
Se junta agua en la parte inferior de la tapa del cajón.	<ul style="list-style-type: none"> <li>Las verduras contienen y despiden humedad.</li> </ul>	<ul style="list-style-type: none"> <li>No es anormal que haya humedad en la parte inferior de la tapa.</li> <li>Ajuste el control de humedad (algunos modelos) con una configuración más baja.</li> </ul>
Se junta agua en el fondo del cajón.	<ul style="list-style-type: none"> <li>Las frutas y verduras lavadas largan humedad mientras están en el cajón.</li> </ul>	<ul style="list-style-type: none"> <li>Seque los artículos antes de ponerlos en el cajón. Es normal que se junte agua en el fondo del cajón.</li> </ul>
Productos almacenados en la repisa superior del congelador	<ul style="list-style-type: none"> <li>El ajuste de temperatura para los alimentos frescos es demasiado frío.</li> <li>Ciertos productos almacenados demasiado cerca del alojamiento del humectador/filtro de aire.</li> </ul>	<ul style="list-style-type: none"> <li>Cambie el ajuste de temperatura para alimentos frescos.</li> <li>Cambie la configuración del almacenamiento de la repisa superior para que el aire pueda difundirse apropiadamente. Consulte <b>Alojamiento del humectador/filtro de aire</b> en la sección <b>REEMPLAZO DEL FILTRO.</b></li> </ul>
<b>AGUA/HUMEDAD/ESCARCHA FUERA DEL REFRIGERADOR</b>		
Se junta humedad en el exterior del refrigerador o entre las puertas.	<ul style="list-style-type: none"> <li>El clima es húmedo.</li> <li>La puerta está ligeramente abierta, lo que hace que el aire frío de dentro del refrigerador entre en contacto con el aire caliente del exterior.</li> </ul>	<ul style="list-style-type: none"> <li>Esto es normal cuando el clima es húmedo. Cuando baja la humedad, la condensación debería desaparecer.</li> <li>Consulte en la columna <b>PROBLEMA, APERTURA/ CIERRE DE PUERTAS/ CAJONES.</b></li> </ul>

Su electrodoméstico está cubierto por una garantía limitada de un año. Durante un año a partir de la fecha original de compra, Electrolux cubrirá todos los costos de reparación o reemplazo de cualquier pieza de este electrodoméstico que se encuentre defectuosa en materiales o mano de obra, siempre que el electrodoméstico se instale, utilice y mantenga de acuerdo con las instrucciones proporcionadas.

#### Exclusiones

#### Esta garantía no cubre lo siguiente:

1. Productos cuyos números de serie originales hayan sido quitados, alterados o no puedan determinarse con facilidad.
2. Productos que hayan sido transferidos del dueño original a un tercero o que no se encuentren en los EE. UU. o en Canadá.
3. Óxido en el interior o exterior de la unidad.
4. Los productos comprados "como están" no están cubiertos por esta garantía.
5. Pérdida de alimentos por fallas del refrigerador o congelador.
6. Productos utilizados para fines comerciales.
7. Las llamadas de servicio que no involucren un mal funcionamiento o defectos de materiales o de mano de obra, o para electrodomésticos que no sean utilizados para uso doméstico normal o de acuerdo con las instrucciones proporcionadas.
8. Llamadas/solicitudes de servicio técnico para corregir errores de instalación del electrodoméstico o para obtener instrucciones sobre su uso.
9. Los gastos para hacer accesible el electrodoméstico a fin de repararlo, como por ejemplo la extracción de adornos, alacenas, estanterías, etc., que no formaban parte del electrodoméstico en el momento en que salió de la fábrica.
10. Llamadas de servicio para reparar o reemplazar bombillas, filtros de aire, filtros de agua, otros consumibles, perillas, manijas u otras piezas decorativas.
11. Costos adicionales que incluyen, sin limitación, cualquier llamada de servicio fuera de las horas de oficina, durante los fines de semana o días feriados, peajes, tarifas de transporte o gastos de traslado para llamadas de servicio en áreas remotas, incluyendo el estado de Alaska.
12. Daños al acabado del electrodoméstico o al hogar que hayan ocurrido durante la instalación, incluyendo, sin limitación, los armarios, paredes, etc.
13. Daños causados por: servicio técnico realizado por compañías de servicio técnico no autorizadas, el uso de piezas que no sean piezas genuinas Electrolux o piezas obtenidas de personas que no pertenezcan a compañías de servicio técnico autorizado, o causas externas como abuso, mal uso, suministro eléctrico inadecuado, accidentes, incendios o hechos fortuitos.

#### RENUNCIA DE RESPONSABILIDAD DE GARANTÍAS IMPLÍCITAS; LIMITACIÓN DE ACCIONES LEGALES

LA ÚNICA Y EXCLUSIVA OPCIÓN DEL CLIENTE BAJO ESTA GARANTÍA LIMITADA ES LA REPARACIÓN O EL REEMPLAZO DEL PRODUCTO SEGÚN SE INDICA EN LA PRESENTE GARANTÍA. LOS RECLAMOS BASADOS EN GARANTÍAS IMPLÍCITAS, INCLUIDAS LAS GARANTÍAS DE COMERCIALIZACIÓN O IDONEIDAD DEL PRODUCTO PARA UN PROPOSITO ESPECIFICO, ESTÁN LIMITADOS A UN AÑO O AL PERIODO MÍNIMO PERMITIDO POR LEY, PERO NUNCA MENOS DE UN AÑO. ELECTROLUX NO SERÁ RESPONSABLE POR DAÑOS CONSECUENTES O INCIDENTALES, COMO POR EJEMPLO DAÑOS A LA PROPIEDAD, NI DE GASTOS INCIDENTALES OCASIONADOS POR EL INCUMPLIMIENTO DE ESTA GARANTÍA ESCRITA O DE CUALQUIER GARANTÍA IMPLÍCITA. ALGUNOS ESTADOS Y PROVINCIAS NO PERMITEN LA EXCLUSIÓN O LIMITACIÓN DE DAÑOS INCIDENTALES O CONSECUENTES O LIMITACIONES EN LA DURACIÓN DE LAS GARANTÍAS IMPLÍCITAS, DE MANERA QUE PUEDE QUE ESTAS LIMITACIONES O EXCLUSIONES NO SE APLIQUEN EN SU CASO. ESTA GARANTÍA ESCRITA LE OTORGA DERECHOS LEGALES ESPECÍFICOS. ES POSIBLE QUE TAMBIÉN POSEA OTROS DERECHOS QUE VARIAN DE UN ESTADO A OTRO.

#### Si tiene que solicitar servicio técnico

Guarde su recibo, la boleta de entrega o cualquier otro registro de pago adecuado para establecer el período de la garantía si llegara a requerir servicio técnico. Si se realiza un servicio, es conveniente obtener y conservar todos los recibos de dicho servicio. El servicio realizado bajo esta garantía debe ser obtenido a través de Electrolux utilizando las direcciones o números telefónicos que se indican abajo.

Esta garantía solo se aplica en los Estados Unidos y Canadá. En los EE. UU., su electrodoméstico está garantizado por Electrolux Major Appliances North America, una división de Electrolux Home Products, Inc. En Canadá, su electrodoméstico está garantizado por Electrolux Canada Corp. Electrolux no autoriza a ninguna persona para que cambie ninguna de nuestras obligaciones bajo esta garantía ni tampoco agregue ninguna otra. Nuestras obligaciones de servicios y piezas bajo esta garantía deben ser realizadas por Electrolux o una compañía de servicio técnico autorizado. Las especificaciones o características del producto según se describen o ilustran están sujetas a cambio sin previo aviso.

EE. UU.  
1-800-374-4432  
Frigidaire  
10200 David Taylor Drive  
Charlotte, NC 28262



**Electrolux**

**Canadá**  
**1.800.265.8352**  
Electrolux Canada Corp.  
5855 Terry Fox Way  
Mississauga, Ontario, Canada  
L5V 3E4

# FRIGIDAIRE®

Bienvenido a *casa*

Nuestro hogar es su hogar. Visítenos si necesita ayuda con alguna de estas cosas:



soporte del propietario



accesorios



servicio



registro

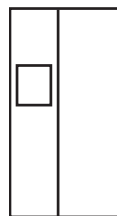
(Consulte su tarjeta de registro para obtener más información.)

Frigidaire.com  
1-800-374-4432

Frigidaire.ca  
1-800-265-8352







# RÉFRIGÉRATEUR

## *utilisation et entretien*

Introduction.....	2	Distributeur automatique d'eau et de glaçons .....	18
Informations importantes de sécurité.....	3	Possibilités de stockage .....	20
Caractéristiques.....	5	Sonorités de fonctionnement normaux	21
Installation .....	6	Remplacement du filtre .....	22
Retrait des la porte.....	9	Entretien et nettoyage .....	24
Installation de la poignée de porte .....	11	Dépannage .....	26
Raccordement au réseau d'alimentation en eau .....	12	Garantie limitée.....	30
Contrôles et réglages .....	14		

## Bienvenue dans notre famille

Merci d'avoir accueilli Frigidaire chez vous! Nous considérons que votre achat marque le début d'une longue relation ensemble.

Ce manuel est votre guide d'utilisation et d'entretien de votre produit. Veuillez le lire avant d'utiliser votre appareil. Gardez-le à portée de main pour vous y référer rapidement. Si quelque chose ne vous semble pas correct, la section Dépannage vous aidera à résoudre les problèmes courants.

Vous trouverez des questions fréquentes, conseils utiles et vidéos, produits de nettoyage ainsi que des accessoires de cuisine et domestiques sur le site Frigidaire.com.

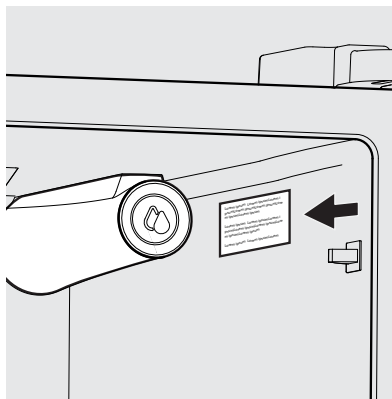
Nous sommes à votre disposition! Visitez notre site, discutez éventuellement avec un représentant; ou appelez-nous si vous avez besoin d'aide. Nous pourrions vous éviter une visite d'entretien. S'il vous faut une séance d'entretien, nous pouvons vous assister.

A titre officiel : prenez soin d'enregistrer votre produit. Prenez note des informations votre produit ici afin de les retrouver aisément.

Numéro de modèle \_\_\_\_\_

Numéro de série \_\_\_\_\_

Date d'achat \_\_\_\_\_



Emplacement du numéro de série

### ✓ Liste de contrôle d'installation - bien veiller à ce que :

#### Portes

- Les poignées soient bien fixées et serrées
- La porte épouse intégralement le contour du corps du frigidaire
- Les portes sont de niveau l'une par rapport à l'autre

#### Niveaux

- L'appareil est de niveau d'un côté à l'autre et incliné de 6 mm (¼ po) de l'avant à l'arrière
- La grille de protection est correctement fixée
- L'appareil est de niveau sur le plancher

#### Courant électrique

- Le courant des lieux soit dûment branché
- L'appareil est branché

#### Appareil à glaçons

- L'alimentation en eau de la maison est raccordée à l'appareil
- Qu'aucun raccord ne comporte de fuite d'eau - revérifier après 24 heures
- L'appareil à glaçons soit branché
- Le distributeur d'eau et de glaçons fonctionne correctement

#### Dernières vérifications

- Tout matériau d'emballage ait été enlevé
- La températures du réfrigérateur et du congélateur ait été réglée conformément aux indications de réglage recommandés
- La commande de réglage de l'humidité du bac à légumes (certains modèles)
- Vous ayez dûment expédié votre carte d'enregistrement

## INFORMATIONS IMPORTANTES DE SÉCURITÉ



### AVERTISSEMENT

Veillez lire le mode d'emploi en entier avant d'utiliser cet appareil.

### Définitions de sécurité

Ceci est le symbole d'alerte de sécurité. Il sert à vous prévenir de dangers éventuels pour les personnes. Respectez tous les messages de sécurité précédés de ce symbole pour éviter tout accident corporel, voire mortel.



### DANGER

L'indication DANGER signale une situation dangereuse imminente susceptible, si elle n'est pas évitée, d'entraîner la mort ou de graves blessures.



### AVERTISSEMENT

AVERTISSEMENT signale une situation dangereuse éventuelle qui, si elle n'est pas évitée, pourrait entraîner la mort ou de graves blessures.



### PRUDENCE

PRUDENCE signale une éventuelle situation dangereuse qui, si elle n'est pas évitée, pourrait entraîner des blessures légères ou modérées.



### IMPORTANT

IMPORTANT indique d'importantes consignes d'installation, d'emploi ou d'entretien, mais sans présenter de dangers.



### DANGER



DANGER Danger d'incendie ou d'explosion. Réfrigérant inflammable. Ne pas utiliser d'appareils mécaniques pour dégivrer le réfrigérateur. Ne percez pas les tubes de réfrigérant.

DANGER Risque d'incendie ou d'explosion. Utilisez un frigorigène inflammable. Doit être réparé uniquement par du personnel d'entretien dûment formé. Utilisez uniquement des pièces de rechange autorisées. Tout équipement de réparation utilisé doit être conçu pour les frigorigènes inflammables. Suivez toutes les directives du fabricant pour les réparations. Ne percez pas les conduites de frigorigène.



### PRUDENCE



PRUDENCE Risque d'incendie ou d'explosion. Mettez le réfrigérateur au rebut de façon adéquate, en respectant les réglementations en vigueur. Utilisez un frigorigène inflammable.

PRUDENCE Danger d'incendie ou d'explosion dus à la perforation de la tuyauterie de réfrigérant. Suivez attentivement les consignes de manutention. Réfrigérant inflammable.



### AVERTISSEMENT

**RÉSIDENTS DE CALIFORNIE**  
Cancer et effet nocif sur la reproduction  
[www.P65Warnings.ca.gov](http://www.P65Warnings.ca.gov)

### La sécurité des enfants

Cet appareil n'est pas destiné à être utilisé par des personnes (y compris les enfants) aux capacités physiques, sensorielles ou mentales réduites, ou manquant d'expérience et des connaissances requises, à moins d'avoir bénéficié d'une formation et surveillance dans l'emploi du frigidaire par quelqu'un chargé de leur sécurité.

Détruisez ou recyclez le carton, les sacs en plastique et tout matériau d'emballage immédiatement après avoir déballé le réfrigérateur. Les enfants ne devraient **jamais** jouer avec de telles installations. Des cartons recouverts de tapis, de couvre-lits, de plastique ou de film étirable peuvent se transformer en un environnement hermétiques entraînant une asphyxie rapide.

### Consignes de sécurité

- NE JAMAIS stocker n'utiliser d'essence ou d'autres liquides inflammables à proximité de ce réfrigérateur ou tout autre. Lisez les étiquettes de tels produits pour vous renseigner sur leur nature inflammable et autres dangers.
- NE PAS utiliser le réfrigérateur en présence de vapeurs explosives.
- Évitez tout contact avec les pièces mobiles de l'appareil à glaçons automatique.
- Retirez toutes les agrafes du carton. Les agrafes peuvent provoquer de graves coupures et abîmer les surfaces de finition en cas de contact avec d'autres installations ou meubles.

### Comment vous débarrasser correctement de votre installation

#### Danger de piégeage des enfants

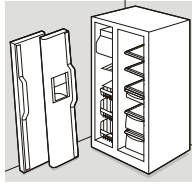
Les accidents de piégeage et d'asphyxie des enfants n'appartiennent pas qu'au passé installations rejetées. Les ou abandonnées, même « juste pour quelques

jours », présentent toujours un danger. Si vous venez à vous débarrasser de votre ancien appareil, veuillez suivre les consignes ci-dessous pour éviter tout accident.

Nous encourageons vivement l'adoption de méthodes prévenantes de recyclage / d'élimination des appareils. Renseignez-vous auprès de votre administration communale des services publics ou visitez le site [energystar.gov/recycle](http://energystar.gov/recycle) pour plus d'informations sur le recyclage de votre ancienne installation.

#### Avant de mettre votre appareil électroménager au rebut :

- Ôter les portes.
- Laisser les étagères en place afin que les enfants ne puissent pas facilement monter à l'intérieur.
- Faites retirer le réfrigérant par un technicien qualifié.



#### AVERTISSEMENT

Vous devez suivre ces directives pour vous assurer que les mécanismes de sécurité de ce réfrigérateur fonctionnent correctement.

#### Alimentation électrique

- **Ne branchez l'appareil qu'à l'aide de sa propre prise électrique de 115 volts, 60 Hz., 15 ampères.** Le cordon d'alimentation de l'appareil est équipé d'une fiche à 3 broches avec mise à terre pour vous protéger des risques d'électrocution. Branchez-la directement dans une prise à 3 broches dûment munie d'une mise à terre. Installez la prise conformément aux consignes et réglementations locales. Consultez un électricien qualifié. Évitez de connecter l'appareil à un disjoncteur de fuite à terre (GFI). **N'utilisez ni rallonge ni adaptateur de voyage.**
- Faites remplacer tout cordon d'alimentation endommagé par un technicien d'entretien agréé.
- Ne débranchez jamais l'appareil en tirant sur le cordon d'alimentation. Saisissez toujours la fiche bien fort et tirez-la bien droit pour éviter d'endommager le cordon.
- Pour éviter les chocs électriques, débranchez l'appareil avant de le nettoyer ou de remplacer une ampoule à DEL c.a. Utilisez une ampoule à DEL c.a. de 5 watts ou moins seulement.
- Une variation de tension de 10% ou davantage pourra affecter la performance de l'installation, dont l'utilisation avec une puissance insuffisante sera susceptible d'endommager le

compresseur. De tels dégâts seront exclus de votre garantie.

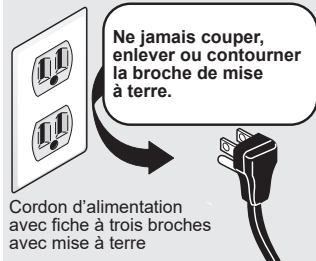
- Ne branchez pas l'appareil dans une prise électrique contrôlée par un interrupteur mural ou un cordon susceptible d'interrompre le courant accidentellement.



#### IMPORTANT

Pour couper l'alimentation de votre appareil, vous devez débrancher le cordon de la prise de courant.

Prise murale avec mise à terre



Cordon d'alimentation avec fiche à trois broches avec mise à terre



#### PRUDENCE

Pour éviter les blessures et les dommages, manipulez les tablettes en verre trempé avec précaution. Si elles sont craquelées, égratignées ou exposées à des changements brusques de température, ces tablettes peuvent se briser subitement.



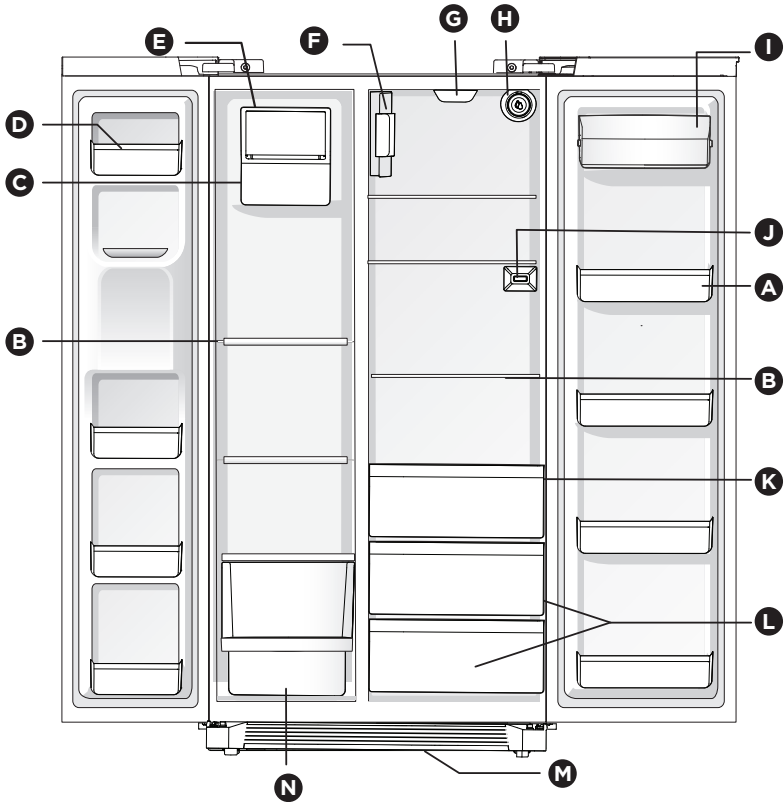
#### IMPORTANT

##### Élimination DE CFC/HCFC

Il est possible que votre ancien appareil soit muni d'un système de réfrigération utilisant des CFC ou des HCFC (chlorofluorocarbures ou hydrochlorofluorocarbures). Les CFC et les HCFC sont jugés nocifs pour la couche d'ozone stratosphérique s'ils sont libérés dans l'atmosphère. D'autres réfrigérants peuvent également causer des dommages à l'environnement lorsqu'ils sont rejetés dans l'atmosphère.

Si vous vous débarrassez de votre vieux réfrigérateur, assurez-vous que les réfrigérants sont retirés pour une élimination appropriée par un technicien qualifié. Si vous libérez intentionnellement des réfrigérants, vous pouvez être soumis à des amendes et à des peines d'emprisonnement en vertu des dispositions de la législation environnementale.

\*Les caractéristiques peuvent varier selon le modèle



<b>A</b>	Balconnets de porte réglables
<b>B</b>	Tablettes
<b>C</b>	Bac à glaçons
<b>D</b>	Balconnets fixes de porte
<b>E</b>	Machine à glaçons
<b>F</b>	Boîtier du filtre à air/Registre
<b>G</b>	Couvercle de l'ampoule à DEL du réfrigérateur

<b>H</b>	Filtre à eau
<b>I</b>	Compartiment à produits laitiers
<b>J</b>	Capteur de température/ Thermistance
<b>K</b>	Tiroir à charcuterie (certains modèles)
<b>L</b>	Bac à fruits et légumes
<b>M</b>	Grille de protection
<b>N</b>	Panier coulissant



## IMPORTANT

Des accessoires sont disponibles pour votre appareil. Vous pouvez vous les procurer à l'adresse [Frigidaire.com](http://Frigidaire.com) ou en composant le 1 800 374-4432 (Frigidaire.ca ou 1 800 265-8352 au Canada) ou encore auprès d'un vendeur autorisé.

# 6

## INSTALLATION

Ce Mode d'emploi et d'entretien fournit les informations générales d'utilisation de votre modèle. N'utilisez l'appareil que conformément aux instructions présentées dans ce Guide d'utilisation et d'entretien.

**Avant de mettre l'appareil en marche, suivez ces premières étapes importantes.**

### Emplacement

- Choisissez un emplacement près d'une prise mise à la terre. **N'utilisez pas** de rallonge électrique ni de fiche d'adaptation.
- Si possible, placez l'appareil à l'abri de la lumière directe du soleil, loin de la cuisinière, du lave-vaisselle et de toute autre source de chaleur.
- Installez l'appareil sur un plancher de niveau et assez solide pour supporter l'appareil une fois plein.
- Pensez à la proximité d'une alimentation en eau pour les modèles équipés d'un appareil à glaçons automatique. Si vous ne raccordez pas d'eau au réfrigérateur, n'oubliez pas d'éteindre l'appareil à glaçons.

### Installation



#### PRUDENCE

**N'installez PAS** l'appareil à un endroit où la température pourrait descendre en dessous de 13 °C (55 °F) ou s'élever à plus de 43 °C (110 °F). Le compresseur ne serait pas en mesure de maintenir des températures correctes à l'intérieur de l'appareil.

**N'obstruez pas** la plinthe de protection située à l'avant de votre appareil. Une circulation d'air suffisante est essentielle au bon fonctionnement de votre appareil.

### Espaces libres d'installation

Prévoyez les dégagements suivants pour faciliter l'installation, assurer une bonne aération ainsi que les raccords de plomberie et d'électricité :

Côtés et haut	0,95 cm (3/8 po)
Arrière	2,5 cm (1 po)



#### REMARQUE

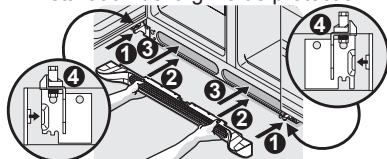
Si votre appareil est placé avec le côté charnières contre un mur, vous devez prévoir de l'espace additionnel pour que la porte puisse ouvrir plus grand.

### Installation et retrait de la grille de protection

#### Pour installer la grille de protection

1. Ouvrez les deux portes. Faites glisser les côtés gauche et droit de la grille de protection sur les charnières inférieures de l'appareil.
2. Tout en poussant fermement la grille de protection contre la carrosserie du réfrigérateur, fixez les attaches inférieures de la grille à la carrosserie.
3. Fixez les attaches supérieures de la grille à la carrosserie.
4. Fermez les portes. Fixez les attaches latérales de gauche et de droite dans la rainure de charnière inférieure.

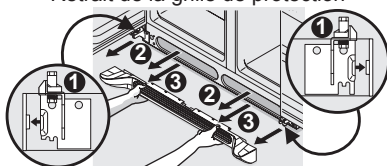
Installation de la grille de protection



#### Pour retirer la grille de protection

1. En maintenant les deux portes fermées, détachez de la rainure de la charnière du bas les agrafes latérales de gauche et de droite de la grille de protection.
2. Ouvrez les deux portes. Appuyez fermement sur la partie supérieure de la grille jusqu'à ce qu'elle se dégage.
3. Tirez la grille de protection vers vous jusqu'à ce qu'elle se détache des charnières inférieures.

Retrait de la grille de protection



## Ouverture de la porte

### REMARQUE

Les portes sont conçues pour se refermer d'elles-mêmes lorsque leur angle d'ouverture est de 20 degrés ou moins.

Positionnez votre appareil de manière à permettre un accès facile à un comptoir ou à une table au moment de sortir des aliments. Pour utiliser pleinement les tiroirs et les paniers du congélateur, placez l'appareil à un endroit permettant aux deux portes d'ouvrir complètement.

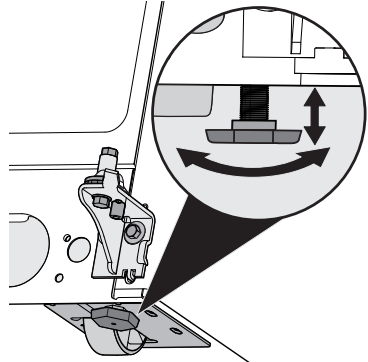
### Directives pour le positionnement final de votre appareil :

- Faites reposer les 4 coins de l'appareil fermement sur le plancher.
- Mettez l'appareil de niveau à l'avant et à l'arrière.
- Inclinez les côtés de 6 mm (1/4 po) de l'avant vers l'arrière (pour vérifier que les portes ferment hermétiquement).
- Alignez les portes l'une par rapport à l'autre et mettez-les de niveau.

**Toutes ces conditions peuvent être satisfaites en élevant ou en abaissant les roulettes ajustables avant.**

**Pour mettre la carrosserie de niveau au moyen des roulettes avant :**

1. Ouvrez les deux portes et retirez la grille de protection (voir « **Installation et retrait de la grille de protection** » dans la section « **INSTALLATION** »).
2. Fermez les portes et utilisez une clé pour relever (dans le sens horaire) ou abaisser (dans le sens antihoraire) les roulettes avant.



3. Assurez-vous que les deux portes ne sont pas entravées et que les joints d'étanchéité sont en contact avec la carrosserie des 4 côtés.

# 8

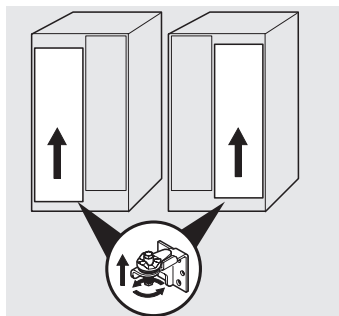
## INSTALLATION

**Pour mettre de niveau les portes à l'aide de la charnière inférieure ajustable :**

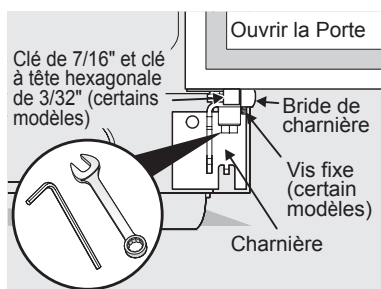
### REMARQUE

Certains modèles ne comportent pas de vis d'arrêt. Pour ces modèles, suivez les étapes de 2 à 4.

1. Avant de mettre l'une des portes de niveau, retirez la vis d'arrêt qui verrouille la hauteur de la porte pour l'immobiliser. (Il est impossible d'ajuster la porte si la vis d'arrêt n'est pas retirée.)
2. Si la porte du réfrigérateur est plus basse que la porte du congélateur, relevez la porte du réfrigérateur en tournant la vis de réglage dans le sens contraire des aiguilles d'une montre à l'aide d'une clé de  $\frac{7}{16}$  po. (Voir l'illustration.)
3. Si la porte du congélateur est plus basse que la porte du réfrigérateur, relevez la porte du congélateur en tournant la vis de réglage dans le sens contraire des aiguilles d'une montre à l'aide d'une clé de  $\frac{7}{16}$  po. (Voir l'illustration.)

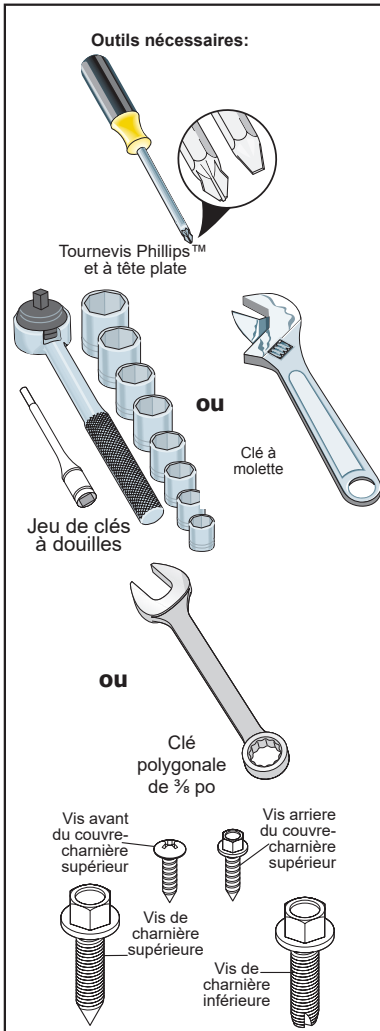


4. Après la mise de niveau, vérifiez que la butée d'arrêt entre en contact avec la charnière du bas et que le haut de la porte ne vienne pas en contact avec la charnière du haut pendant le mouvement complet de la porte (de complètement fermée à complètement ouverte).



5. Remettez la vis d'arrêt en place, afin de verrouiller la hauteur de la porte.
6. Remplacez la grille de protection en l'insérant en place (voir « **Installation et retrait de la grille de protection** » dans la section « **INSTALLATION** »).



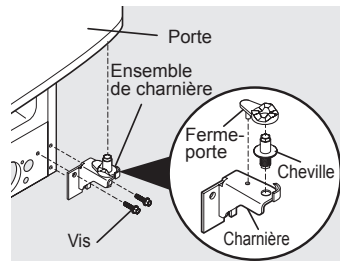
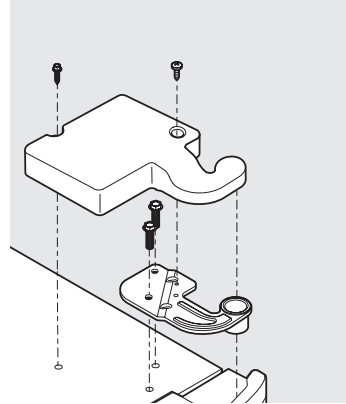


### Pour vous préparer à enlever les portes :

1. Assurez-vous que le cordon d'alimentation est débranché de la prise murale.
2. Ouvrez les deux portes et retirez la grille de protection (tel qu'expliqué dans les instructions d'installation accompagnant votre appareil électroménager).
3. Retirez tous les aliments des tablettes de la porte.
4. Fermez les portes.

### Pour enlever les couvre-charnières du haut :

1. Retirez les 2 vis du couvre-charnière recouvrant la charnière supérieure de la porte.
2. Retirez le couvre-charnière en tirant vers le haut.
3. Avec un crayon, faites un trait léger autour de la charnière supérieure de la porte. Ceci facilitera la réinstallation.
4. Retirez les 2 vis de la charnière supérieure et retirez la charnière en la tirant droit vers le haut. Soulevez la porte hors de la charnière inférieure et mettez-la de côté.
5. Retirez les deux vis de la charnière inférieure et la charnière si nécessaire.



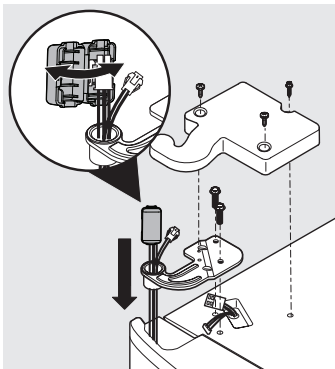
### Charnière ajustable

Pour réinstaller la porte du réfrigérateur, suivez les étapes ci-dessus dans l'ordre inverse.

# 10 RETRAIT DES LA PORTE

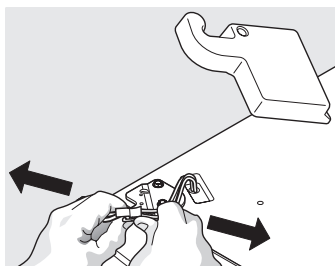
## Pour retirer le couvre-charnière supérieur du congélateur :

1. Retirez les 2 vis du couvre-charnière recouvrant la charnière supérieure de la porte.
2. Retirez le couvre-charnière en tirant vers le haut.




## Pour enlever la porte du congélateur :

1. Retirez le couvre-connecteur, insérez un tournevis à lame plate dans la fonction d'encliquetage et tournez-le.
2. Débranchez les 2 connecteurs du câble multipolaire situé au-dessus de la charnière du haut. Saisissez fermement les deux côtés du connecteur, appuyez sur le verrou du connecteur et démontez le tout. Retirez la vis de mise à la terre.



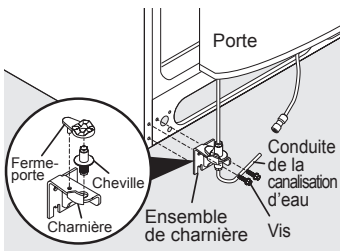

3. Avec un crayon, faites un trait léger autour de la charnière. Ceci facilitera la réinstallation.
4. Débranchez le tube d'alimentation en eau du connecteur situé sous la porte du congélateur. Le connecteur se libère lorsque vous poussez sa chemise extérieure vers l'intérieur.

## Débrancher

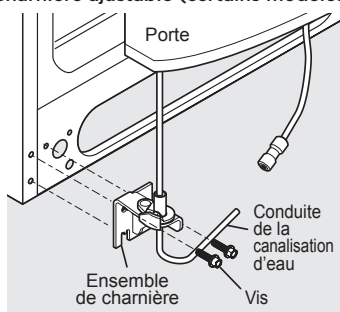
1. Poussez l'anneau extérieur contre le raccord
- 
2. Puis tirez pour enlever le tube

## Raccorder

Insérant le tube et en le poussant jusqu'à ce que le repère se trouve au niveau du raccord



## Charnière ajustable (certains modèles)



## Charnière non ajustable (certains modèles)

5. Retirez les 2 vis de la charnière supérieure et extrayez-la en la levant droit vers le haut, tout en tirant les 2 câbles multipolaires à travers elle. Soulevez la porte hors de la charnière inférieure.
6. Retirez les deux vis de la charnière inférieure et la charnière si nécessaire.
7. Posez la porte sur le côté, de manière à ne pas endommager la conduite d'eau qui dépasse de la charnière inférieure.

Pour réinstaller la porte du congélateur, suivez les étapes ci-dessus dans l'ordre inverse.



## PRUDENCE

Quand vous mettez de côté les portes, assurez-vous de leur stabilité pour éviter qu'elles ne tombent et ne provoquent des blessures corporelles.

# INSTALLATION DE LA POIGNÉE DE PORTE



## PRUDENCE

Portez des gants et des lunettes de sécurité. Soyez extrêmement prudent lorsque vous installez ces poignées. La fin arrondie des poignées peut être tranchante (quelques modèles).



## IMPORTANT

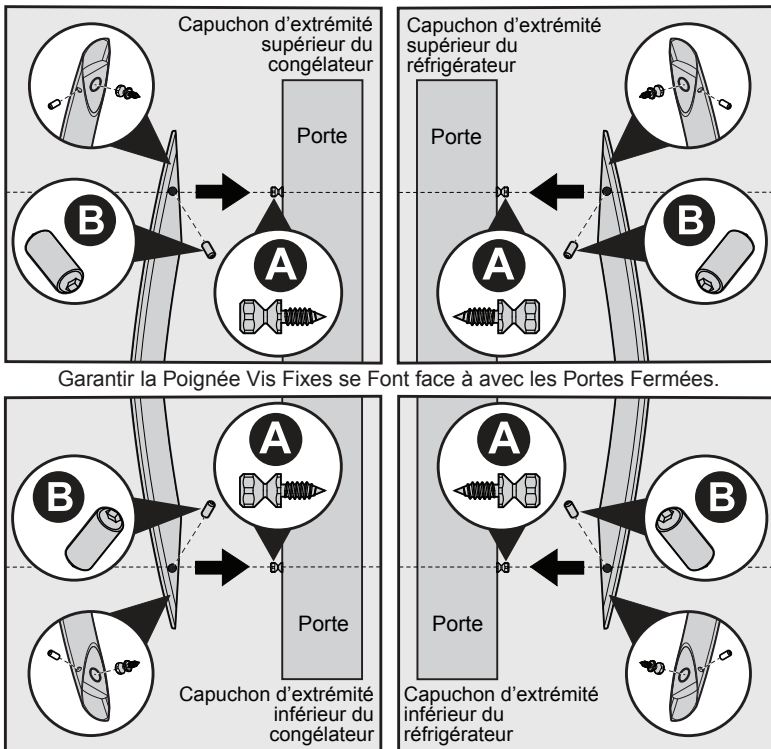
Pour garantir l'installation correcte de poignées, s'il vous plaît réexaminer ces instructions et ces illustrations à fond avant l'installation des poignées.

1. Sortez les poignées de la boîte et enlevez tous les autres emballages de protection.
2. Placez les embouts de la poignée du congélateur par-dessus les boulons à épaulement du haut et du bas préinstallés (A) qui sont fixés à la porte. Vérifiez que les trous pour vis d'arrêt sont orientés vers la porte du réfrigérateur.
3. Tout en maintenant la poignée fermement contre la porte, serrez les vis d'arrêt Allen du haut et du bas (B) à l'aide de la clé Allen qui est fournie.
4. Répétez les étapes 2 et 3 pour installer la porte du réfrigérateur. Assurez-vous que les trous des vis de réglage sont vis-à-vis de la porte du congélateur.



## REMARQUE

Serrez et enfoncez toutes les vis d'arrêt de l'embout de la poignée (placez la vis d'arrêt Allen juste sous la surface de l'embout). Tirez les embouts sur les portes de congélateur et de réfrigérateur de sorte qu'il n'y ait aucun jeu. Pour éviter d'égratigner la porte en métal, laissez-la ouverte pendant que vous serrez les vis d'arrêt.



**AVERTISSEMENT**

Afin d'éviter les chocs électriques, qui peuvent causer la mort ou des lésions corporelles graves, débranchez l'appareil de sa source d'alimentation électrique avant d'y raccorder la conduite d'alimentation en eau.

**PRUDENCE**

Pour éviter des dommages matériels :

- Utilisez des tubes tressés en cuivre ou en acier inoxydable pour la conduite d'alimentation en eau. Frigidaire ne recommande pas l'utilisation de tubes d'alimentation en eau en plastique de 1/4 po.
- Les tubes en plastique augmentent grandement le risque de fuites d'eau et le fabricant ne sera pas responsable des dommages causés dans le cas où des tubes en plastique sont utilisés pour la conduite d'alimentation.
- **NE PAS** installer de tuyaux d'alimentation en eau dans des lieux où la température peut baisser au-dessous de 0 °C.
- Les produits chimiques émanant d'adoucisseurs d'eau défectueux pourront endommager l'appareil à glaçons. Si ce dernier est connecté à de l'eau a doucie, veillez à ce que l'adoucisseur soit dûment entretenu et fonctionne correctement.

**IMPORTANT**

Veillez bien à ce que les raccordements de votre réseau d'alimentation en eau soient conformes à toutes les réglementations de plomberie locales en vigueur.

**Avant d'installer le raccordement au réseau d'alimentation en eau, vous aurez besoin essentiels de des éléments suivants :**

- Outils : clé à molette, tournevis à lame plate et tournevis cruciforme
- Accès à une alimentation en eau froide de domicile d'une pression d'eau comprise entre 30 et 100 psi.
- Une conduite d'alimentation en eau en cuivre ou en acier inoxydable de 6,4 mm (1/4 po) de diamètre extérieur. Pour déterminer la longueur de tube requise, mesurez la distance comprise entre l'entrée du robinet de la machine à glaçons en arrière du réfrigérateur et votre tuyau d'eau froide.

Ajoutez ensuite 2,1 mètres (7 pi) pour que le réfrigérateur puisse être déplacé pour le nettoyage (tel qu'illustré).

- Une vanne d'arrêt pour connecter la conduite d'alimentation en eau à votre système d'eau domestique. **NE PAS UTILISER** de vanne d'arrêt de type auto-perçant.
- Ne pas réutiliser les raccords à compression ni n'utilisez de ruban adhésif.
- Un écrou à compression et une bague (manchon) pour raccorder la conduite d'alimentation en eau en cuivre au robinet d'entrée de la machine à glaçons.

**REMARQUE**

Renseignez-vous auprès des autorités locales responsables des ouvrages pour connaître les recommandations concernant les conduites d'eau et les matériaux associés avant d'installer votre nouveau réfrigérateur. Selon les normes du bâtiment de votre région ou pays, Frigidaire recommande le kit d'alimentation en eau **Smart Choice**® 5304490728 (avec une conduite d'eau en acier inoxydable de 1,80 m (6') pour les domiciles équipés de vannes, et pour les domiciles les maisons dépourvus de vannes à l'heure actuelle. Frigidaire recommande le kit de conduite **Smart Choice**®, kit de tuyauterie 5304490717 (avec conduite d'eau en cuivre de 6 mètres (20 pi) comportant un robinetvanne à étrier autotaraudeur). Veuillez consulter le site [Frigidaire.com](http://Frigidaire.com) pour plus d'informations.

**Pour connecter la conduite d'alimentation en eau à la vanne d'entrée**

1. Débranchez le réfrigérateur de sa source d'alimentation électrique.
2. Placez l'extrémité de la conduite d'alimentation en eau dans un évier ou dans un seau. Ouvrez l'alimentation en eau et rincez la conduite d'alimentation jusqu'à ce que l'eau soit claire. Fermez l'alimentation en eau au niveau du robinet d'arrêt.
3. Retirez le capuchon en plastique de la valve d'entrée d'eau et jetez le capuchon.
4. **Si vous utilisez de la tuyauterie en cuivre**, glissez l'écrou à compression en laiton, puis la bague (manche) sur la conduite d'alimentation en eau (1/4" / 6,4 mm). Enfoncez la conduite d'alimentation en eau dans la vanne d'entrée aussi loin que possible (6,4 mm / 0,25"). Glissez alors la bague

(manche) par-dessus la vanne d'entrée, puis serrez manuellement l'écrou de compression sur la vanne. Serrez encore d'un demi-tour avec une clé; **NE PAS** trop serrer. Voir ci-dessous.

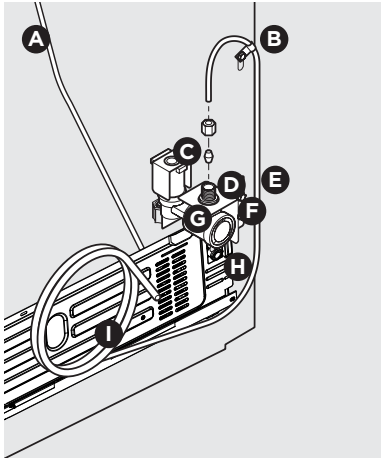


Figure 1

**Si vous utilisez un tuyau en acier inoxydable flexible tressé**, l'écrou sera déjà assemblé sur le tuyau. Glissez l'écrou sur la vanne d'entrée d'eau puis serrez l'écrou manuellement sur la vanne. Serrez encore un demi-tour à la clé; **NE PAS** trop serrer. Voir ci-dessous.

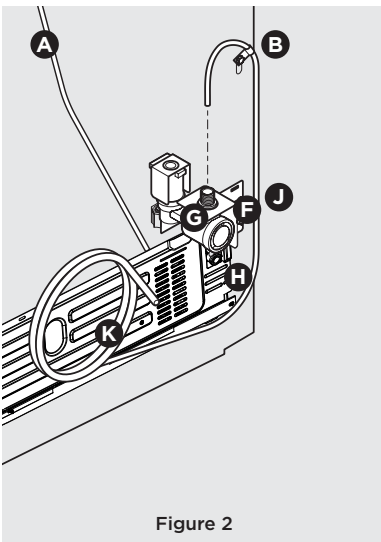


Figure 2

A	Tube en plastique relié au tube de remplissage du bac à glaçons
B	Fixation en acier
C	Écrou à compression en laiton
D	Virole (manchon)
E	Conduite d'eau en cuivre
F	Support du robinet d'eau
G	Entrée du robinet
H	Robinet d'eau
I	Conduite d'eau en cuivre reliée au système d'alimentation en eau domestique*
J	Conduite d'eau en acier inoxydable
K	Conduite d'eau en acier inoxydable de 1,8 m (6 pi) reliée au système d'alimentation en eau de la maison*

\*Comprend un tube assez long pour que le réfrigérateur puisse être déplacé lors du nettoyage

5. Attachez la conduite d'alimentation en eau (pour les tuyaux en cuivre uniquement) au panneau arrière du réfrigérateur, comme illustré.
6. Enroulez le surplus de conduite d'alimentation en eau (tubes en cuivre uniquement) en deux boucles et demi environ, derrière le réfrigérateur comme illustré, et disposez ces boucles de manière à prévenir toute vibration ou frottement contre une surface quelconque.
7. Ouvrez l'alimentation en eau au niveau du robinet d'arrêt et serrez tous les raccords qui ont des fuites.
8. Rebranchez le réfrigérateur au circuit d'alimentation électrique.



## IMPORTANT

Après avoir raccordé l'alimentation en eau, veuillez lire la section « Pour amorcer le système d'alimentation en eau » pour des renseignements importants sur la façon d'amorcer un système d'alimentation en eau vide.

Le système d'alimentation en eau de votre réfrigérateur comporte plusieurs conduites d'alimentation, un filtre à eau et un robinet. Pour que le distributeur d'eau fonctionne correctement, vous devez remplir complètement le système d'eau lorsque vous raccordez votre réfrigérateur pour la première fois à la conduite d'alimentation en eau de la maison.

# 14 CONTRÔLES ET RÉGLAGES

## REMARQUE

Votre appareil peut être doté de certaines ou de toutes les fonctions ci-dessous.

### Interface utilisateur devant la porte



#### Cube (glaçons)


Appuyez sur la touche **Cube** (glaçons) pour obtenir des cubes de glace. Un voyant blanc à DEL indique que le mode est sélectionné. Appuyez un verre contre la palette du distributeur de glaçons aussi haut que possible de manière à attraper toute la glace.

#### Crush (concaassée)

Appuyez sur la touche **Crush** (concaassée) pour obtenir de la glace pilée. Un voyant blanc à DEL indique que le mode est sélectionné. Appuyez un verre contre la palette du distributeur de glaçons aussi haut que possible de manière à attraper toute la glace.

#### (Lampe)



Appuyez sur la touche d'éclairage  pour allumer l'éclairage du distributeur. Un voyant blanc à DEL indique que l'éclairage du distributeur est allumé. Appuyez de nouveau sur la même touche pour éteindre l'éclairage.

#### Water (eau)

Pour utiliser le distributeur d'eau, appuyez un verre contre la palette du distributeur d'eau. Pour arrêter la distribution d'eau, éloignez le verre de la palette du distributeur. L'eau distribuée n'est pas froide. Pour obtenir de l'eau plus froide, ajoutez de la glace concaassée ou des glaçons dans le verre avant d'y ajouter l'eau.

#### Water Filter Status (État du filtre à eau)

Lorsque vous devez commander un nouveau filtre à eau, l'interface de la porte latérale change pour l'état de la commande. Lorsque vous devez remplacer le filtre à eau, l'interface de la porte latérale change pour le signal rouge de remplacement et l'interface du devant affiche **Replace Water Filter** (Remplacer filtre à eau). Après avoir changé le filtre, maintenez la touche **Water Filter** (filtre à eau) enfoncée durant 3 secondes pour réinitialiser.

#### Air Filter Status\* (État du filtre à air\*)

Lorsque vous devez commander un nouveau filtre à air, l'interface de la porte latérale change pour l'état de la commande. Lorsque vous devez remplacer le filtre à air, l'interface de la porte latérale change pour le signal rouge de remplacement et l'interface du devant affiche **Replace Air Filter** (Remplacer filtre à air). Après avoir changé le filtre, maintenez la touche **Air Filter** (filtre à air) enfoncée durant 3 secondes pour réinitialiser.

\*Certains modèles seulement

## Alarmes

### **Power Outage** (Panne de courant)

En cas de panne de courant où la température intérieure du réfrigérateur augmente au-dessus de la zone de température sécuritaire, l'avertissement **Power Outage** (panne de courant) s'affiche pour vous rappeler de vérifier vos aliments. En plus de l'indicateur, une alarme retentit toutes les 60 secondes jusqu'à ce que vous l'arrêtiez. Appuyez sur n'importe quelle touche pour désactiver l'alarme.

En cas de panne de courant où la température intérieure du réfrigérateur reste dans la zone de température sécuritaire, il n'y a aucun avertissement ou alarme une fois le courant rétabli.

### **Door Open** (Porte ouverte)

Lorsqu'une porte est ouverte, l'indicateur **Door Open** (porte ouverte) s'affiche, puis disparaît une fois la porte fermée. Si une porte est laissée ouverte pendant plus de 5 minutes, une alarme retentit. L'alarme continue à retentir toutes les 10 secondes jusqu'à ce que vous l'arrêtiez. Pour arrêter l'alarme, fermez la porte; pour la désactiver temporairement, appuyez sur n'importe quelle touche de commande.

### **High Temp** (température élevée)

Si la température intérieure du réfrigérateur augmente et reste au-dessus de la zone de température sécuritaire pendant un certain temps, l'avertissement **High Temp** (température élevée) s'affiche pour vous rappeler de vérifier vos aliments. En plus de l'indicateur, une alarme retentit toutes les 10 secondes jusqu'à ce que vous l'arrêtiez. Appuyez sur n'importe quelle touche pour désactiver l'avertissement.

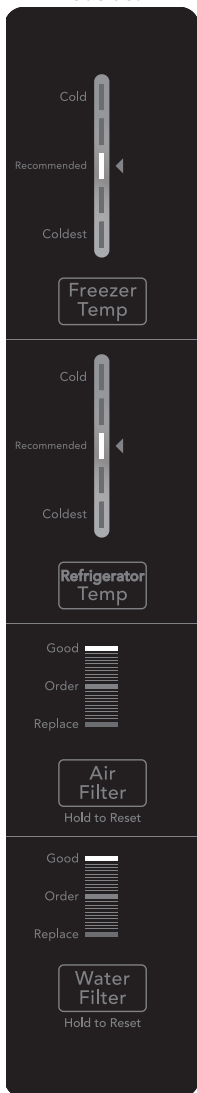
Le réfrigérateur essaie automatiquement de se refroidir pour tenter de remédier à la situation. Cependant, si la température n'est pas descendue après un certain temps, l'avertissement et l'alarme réapparaissent. Si le problème persiste, veuillez téléphoner au 1 800 372-4432.

# 16

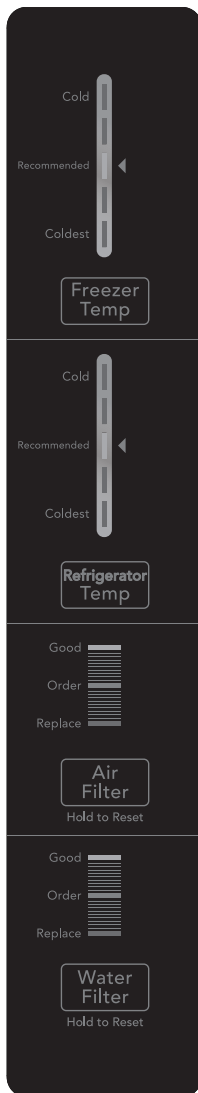
## CONTRÔLES ET RÉGLAGES

### Interface utilisateur dans la porte

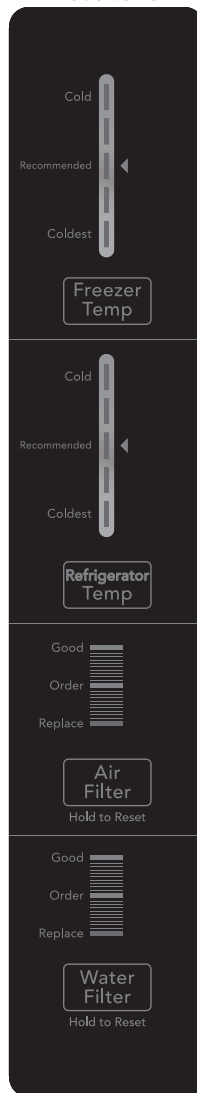
Affichage en mode actif



Affichage en mode inactif



Affichage en mode veille





## Affichage des modes dans la porte

Votre écran est équipé d'un mode veille et d'un mode inactif pour éviter toute modification accidentelle des réglages de l'appareil pendant l'ouverture et la fermeture des portes. Lorsque les deux portes sont fermées, l'écran est en mode veille. Lorsque l'une ou l'autre des portes est ouverte pour la première fois, l'écran passe en mode inactif, où tous les réglages actuels sont visibles, mais atténués.

Une pression sur n'importe quelle touche de l'écran active l'écran et fait retentir une tonalité. Tous les réglages sont alors entièrement allumés. Touchez à nouveau l'écran pour modifier n'importe quel réglage.

Si vous n'appuyez sur aucune touche pendant 10 secondes tandis qu'une porte est ouverte, l'écran revient par défaut au mode inactif.

### Réglage de la température

Procédez de façon progressive pour le réglage de la température : réglez graduellement, par tranches, et laissez la température se stabiliser.

- Pour une température plus basse, appuyez sur la touche **Temp** pour régler la température vers **Coldest** (le plus froid).
- Pour une température plus élevée, appuyez sur la touche **Temp** pour régler la température vers **Cold** (froid).

Le fait de régler la commande du réfrigérateur modifie la température dans les deux compartiments. La commande du congélateur peut être laissée au pré-réglage d'usine (\*Recommended (recommandé) ou réglée tel que désiré).

Pour maintenir les températures, un ventilateur fait circuler l'air dans le réfrigérateur et le congélateur. Afin d'assurer une bonne circulation, veillez à ce que les aliments ne bloquent pas les arrivées d'air froid.

### Air Filter Status\* (État du filtre à air\*)

L'écran affiche l'état courant du filtre à air (**Good** (bon), **Order** (commander) ou **Replace** (remplacer)). Pour remettre l'état du filtre à **Good** (bon), appuyez sur **Air Filter** (filtre à air) pendant 3 secondes.

### Water Filter Status (État du filtre à eau)

L'écran affiche l'état courant du filtre à eau (**Good** (bon), **Order** (commander) ou **Replace** (remplacer)). Pour remettre l'état du filtre à **Good** (bon), appuyez sur **Water Filter** (filtre à eau) pendant 3 secondes.

**\*Certains modèles seulement**

# 18 DISTRIBUTEUR AUTOMATIQUE D'EAU ET DE GLAÇONS

## Amorçage du système d'alimentation en eau



### PRUDENCE

Pour un bon fonctionnement du distributeur, la pression d'eau recommandée doit se situer entre 30 et 100 lb/po<sup>2</sup>. Une pression excessive peut entraîner un mauvais fonctionnement du système.

1. Commencez par remplir le système en maintenant un verre à boire appuyé contre la palette du distributeur d'eau.



Distributeur (varie selon le modèle)

2. Laissez le verre dans cette position jusqu'à ce que l'eau commence à sortir du distributeur. Cela peut prendre environ une minute et demie. L'eau peut gargouiller tant que l'air n'est pas complètement éliminé des conduites d'eau.
3. Continuez à faire couler l'eau pendant environ 4 minutes pour éliminer les impuretés du système et de la tuyauterie (en arrêtant pour vider le verre lorsque nécessaire).

### REMARQUE

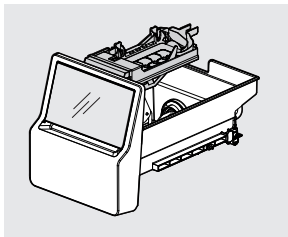
L'eau distribuée n'est pas très froide. Pour obtenir de l'eau plus froide, ajoutez de la glace dans le verre ou dans le récipient avant d'y ajouter l'eau.

## Fonctionnement et entretien de la machine à glaçons

Une fois que le réfrigérateur est correctement installé et qu'il a refroidi pendant plusieurs heures, la machine à glaçons peut produire des glaçons après 24 heures. La machine à glaçons remplit le bac à glaçons à partir de l'arrière. Vous devez prélever un peu de glace pour faire avancer les glaçons vers l'avant du bac. Cela permet au bac de se remplir complètement.

## Mettre en marche la machine à glaçons

Pour allumer la machine à glaçons, appuyez sur le commutateur de marche-arrêt de la machine à glaçons qui se trouve sur le devant de la machine à glaçons, de façon à ce que la DEL reste allumée.



### IMPORTANT

Le fait d'éteindre la machine à glaçons désactive uniquement la production de glace. Vous pouvez toujours prélever la glace déjà faite, et vous pouvez toujours prélever de l'eau.



### REMARQUE

La machine à glaçons comporte également un levier de signal intégré en plastique qui arrête automatiquement la production de glaçons lorsque le bac est plein. N'utilisez pas ce levier de signal pour arrêter manuellement la machine à glaçons.

## Conseils pour la machine et le distributeur à glaçons

- Les glaçons qui restent trop longtemps dans le bac peuvent développer un goût étrange. Videz le bac à glaçons tel qu'expliqué dans **Nettoyage du bac à glaçons**.
- Secouez le bac de temps en temps pour séparer les glaçons.
- Si votre réfrigérateur n'est pas raccordé à une alimentation en eau ou si l'alimentation en eau est fermée, désactivez la machine à glaçons en appuyant sur le commutateur de marche-arrêt.
- Si vous avez besoin d'une grande quantité de glaçons d'un seul coup, il est préférable de les prendre directement dans le bac à glaçons.
- Les bruits suivants sont normaux lorsque la machine à glaçons est en fonction :

- Moteur qui fonctionne
  - Glaçons qui tombent dans le bac
  - Robinet d'eau qui s'ouvre et se ferme
  - Glaçons qui se décollent du plateau
  - Eau qui coule
- Lors de la distribution de glaçons, vous pouvez entendre un bruit de claquement ou un clic lors de l'ouverture et fermeture de la palette de distribution de glaçons.
  - Arrêtez la machine à glaçons lorsque vous nettoyez le congélateur ou partez en vacances. Si vous arrêtez la machine à glaçons pour une longue période, fermez aussi le robinet d'alimentation en eau.



## PRUDENCE

Les produits chimiques provenant d'un adoucisseur d'eau défectueux peuvent endommager la machine à glaçons. Si l'alimentation en eau de votre réfrigérateur est adoucie, assurez-vous que l'adoucisseur fait l'objet d'un entretien adéquat.

## Nettoyage du bac à glaçons

Nettoyez le bac à glaçons à intervalles réguliers, surtout avant de partir en vacances ou de déménager.

### Pour nettoyer le bac à glaçons :

1. Éteignez la machine à glaçons.
2. Retirez le bac à glaçons en le tirant vers le haut et vers vous.
3. Videz et nettoyez soigneusement le bac à glaçons avec un détergent doux. Rincez à l'eau claire. N'utilisez pas de nettoyants forts ou abrasifs.
4. Laissez le bac à glaçons sécher complètement avant de le remettre dans le congélateur.
5. Enlevez les morceaux de glace, puis nettoyez le bac à glaçons, la tablette et la palette de distribution de la porte du congélateur.
6. Remettez le bac à glaçons en place. Allumez la machine à glaçons pour reprendre la production de glaçons.

### Retirez et videz le bac à glaçons si :

- Les glaçons commencent à fondre dans le bac et gèlent ensemble en raison d'une panne de courant prolongée (une heure ou plus), entraînant du coup le blocage du mécanisme du distributeur.
- Vous n'utilisez pas souvent le distributeur à glaçons. Les glaçons se soudent ensemble dans le bac à glaçons et bloquent le mécanisme du distributeur.

Retirez le bac à glaçons et secouez-le pour délier les glaçons ou nettoyez-le tel qu'expliqué ci-dessus.



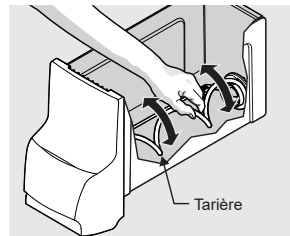
## PRUDENCE

N'utilisez JAMAIS de pic à glace ni d'autre instrument pointu pour casser la glace. Cela pourrait endommager le bac à glaçons et le mécanisme du distributeur.



## IMPORTANT

Lorsque vous enlevez ou remettez en place le bac à glaçons, évitez de faire tourner la vis sans fin à l'intérieur du bac. Si vous déplacez accidentellement la vis sans fin, alignez-la à nouveau en la faisant tourner de 45 degrés (voir ci-dessous) jusqu'à ce que le bac à glaçons soit bien en place par rapport au mécanisme d'entraînement. Si la vis sans fin n'est pas correctement alignée lorsque vous remplacez le bac à glaçons, le réfrigérateur ne produira pas de glace. La porte du congélateur pourrait également mal fermer, ce qui laisserait pénétrer de l'air chaud dans le compartiment du congélateur.





## PRUDENCE

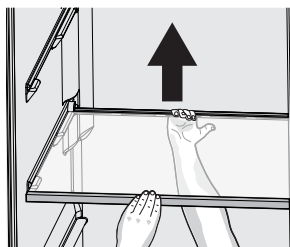
Pour éviter les blessures et les dommages, manipulez les tablettes en verre trempé avec précaution. Ces tablettes peuvent se briser subitement si elles sont craquelées, égratignées ou exposées à des changements brusques de température. Ne pas laver au lave-vaisselle.

## Réglage des clayettes

Vous pouvez facilement régler la position des clayettes du réfrigérateur selon vos besoins. Avant de régler la position des clayettes, enlevez tous les aliments qui s'y trouvent. Les tablettes sont supportées par des rails sur les côtés.

Pour régler leur position, soulevez-en l'arrière et tirez-les vers l'avant.

Pour remettre une tablette en place, faites-la coulisser par-dessus les rails moulés dans les parois latérales jusqu'à ce que les crochets arrière de la tablette se verrouillent dans l'arrière du revêtement intérieur de l'appareil.



Clayette de verre

## Espaces de rangement de la porte

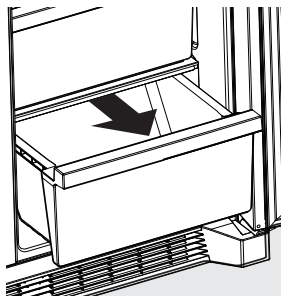
Les bacs, étagères et casiers de la porte offrent une solution pratique de rangement des bocaux, bouteilles et canettes. Vous pouvez ainsi accéder rapidement aux articles que vous utilisez le plus.

Certains modèles sont dotés de bacs de porte pouvant accueillir des contenants de plastique de quatre litres ainsi que des pots et des contenants de format familial. Certains bacs sont ajustables, ce qui permet d'optimiser le rangement.

Le compartiment des produits laitiers, dont la température est moins froide que celle du compartiment général, est utilisé pour conserver le fromage, les tartinades ou le beurre durant une courte période.

## Bac à fruits et légumes

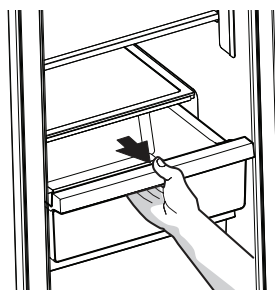
Ces bacs vous permettent de conserver toutes sortes d'aliments tels que des fruits, des légumes, des noix, etc. Ces bacs ne possèdent pas de dispositif de réglage de l'humidité.



Bacs à fruits et légumes

## Tiroir Deli (certains modèles)

Certains modèles sont équipés d'un tiroir pour le stockage de produits de viandes froides, fromages à tartiner, et autres articles de traiteur. Ce tiroir n'a pas de contrôle de la température.



Tiroir Deli

## SONORITÉS DE FONCTIONNEMENT NORMAUX

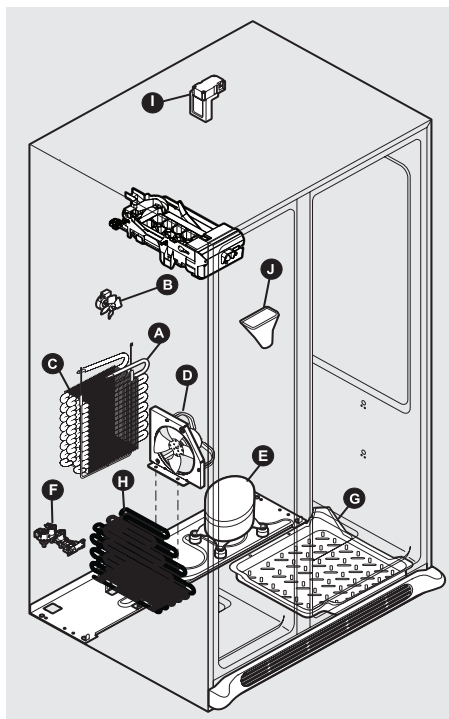
Votre nouvel électroménager à haut rendement énergétique peut émettre des bruits qui ne vous sont pas familiers. Ces bruits indiquent habituellement que votre appareil fonctionne correctement. Certaines surfaces (plancher, mur ou armoire de cuisine) peuvent amplifier ces bruits.

Voici la liste des principaux composants de votre appareil et des sons qu'ils peuvent produire :

- A Évaporateur** Par l'intermédiaire de l'évaporateur, le réfrigérant pourra créer un *bruit d'ébullition ou de gargouillement*.
- B Ventilateur de l'évaporateur** Il se pourra que vous entendiez le ventilateur de l'évaporateur *forcer l'air au travers du réfrigérateur*.
- C Chauffage de dégivrage** Pendant les cycles de dégivrage, les gouttes d'eau tombant sur le chauffage de dégivrage pourront provoquer un *sifflement ou un grésillement*. Le dégivrage pourra être suivi d'un *bruit sourd*.
- D Ventilateur du condenseur** Vous pourrez entendre *l'air forcé* à travers le condenseur.
- E Compresseur** Les compresseurs modernes à haute efficacité fonctionnent beaucoup plus rapidement qu'autrefois. Le compresseur pourra émettre un *bourdonnement aigu ou un son pulsé*.
- F Vanne d'eau** Émet un *bourdonnement* chaque fois qu'il s'ouvre pour remplir la machine à glaçons.
- G Bac de drainage (fixe)** Vous pourrez entendre de *l'eau couler* dans le bac de drainage pendant le cycle de dégivrage.
- H Condenseur** Le condenseur pourra créer de faibles *sons d'air sous pression*.
- I Registre motorisé** Peut produire un *bourdonnement* intermittent lorsqu'il fonctionne.
- J Palette de distribution de glaçons** Pendant la distribution de glaçons, vous pouvez entendre un *claquement* ou un *clic* lorsque le solénoïde ouvre et ferme la palette de distribution de glaçons.

**K Machine à glaçons automatique**

Lorsque la production des glaçons est terminée, il est possible que vous les entendiez *tomber* dans le bac à glaçons.

**REMARQUE**

La mousse écoénergétique de votre réfrigérateur n'est pas un isolant acoustique.

**REMARQUE**

Pendant le cycle de dégivrage automatique, il est normal qu'il y ait une lueur rouge dans les événements de la paroi du congélateur.

## Filtre à eau PurePour™

Offrez-vous une eau sécuritaire au goût délicieux grâce au filtre à eau PurePour™.

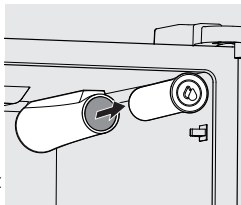
L'utilisation d'un filtre à eau PurePour™ :

- Fait de l'eau sécuritaire une seconde nature**  
 Les filtres à eau PurePour™ sont certifiés pour la réduction des contaminants\* et vous procurent, ainsi qu'à votre famille, une eau sécuritaire au goût délicieux.
- Une pureté digne de confiance**  
 Soyez assuré que le filtre à eau PurePour™ est un protecteur. Les contre-façons et les imitations mettent votre réfrigérateur et votre santé en danger. Les filtres authentiques Frigidaire sont le choix le plus intelligent et le plus sécuritaire.
- Chaque goutte contribue à protéger l'environnement**  
 En conjonction avec des efforts soutenus en matière de développement durable, le filtre à eau PurePour™ aide à réduire l'utilisation du plastique utilisé dans la fabrication de l'eau embouteillée.

\*Pour la liste complète, consultez la fiche technique de rendement sur le site [Electroluxappliances.com](http://Electroluxappliances.com)

## Remplacement du filtre à eau

Le filtre à eau se trouve en haut du côté droit du compartiment réfrigérateur. En général, vous devrez changer votre filtre



à eau tous les 6 mois pour vous assurer que la qualité d'eau soit optimale. Le voyant lumineux **Water Filter Status** (état du filtre à eau) sur l'interface utilisateur vous rappelle de remplacer le filtre après qu'une certaine quantité d'eau (453 L/125 gal US pour le filtre PurePour™) a coulé à travers le système.

Si vous n'avez pas utilisé votre réfrigérateur pendant un certain temps (lors d'un déménagement, par exemple), changez le filtre avant de réinstaller le réfrigérateur.

## Pour commander des filtres de rechange

Pour commander des filtres de rechange, visitez notre boutique en ligne à l'adresse [Frigidaire.com](http://Frigidaire.com), composez sans frais le 1 800 372-4432 ou rendez-vous chez le détaillant où vous avez acheté votre réfrigérateur. Frigidaire vous recommande de commander des filtres supplémentaires

lorsque vous installez votre réfrigérateur pour la première fois et de changer vos filtres au moins tous les 6 mois.

Voici les numéros de produit à demander lorsque vous commandez :

Ou un filtre à eau PurePour™  
 Numéro de pièce **FPWFU01™**



### REMARQUE

Lorsque vous commandez des filtres de rechange, prenez soin de commander le même type de filtre que celui qui se trouve à l'heure actuelle dans votre réfrigérateur.

## Renseignements supplémentaires sur le filtre à eau perfectionné



Le système de filtre à glace et à eau PurePour™ est testé et homologué pour les normes NSF/ANSI 42, 53, 401 et CSA B483.1 de réduction des réclamations précisées sur la fiche technique de rendement. Visitez le site [frigidaire.com](http://frigidaire.com) pour de plus amples renseignements.

N'utilisez pas d'eau non salubre d'un point de vue microbiologique ou de qualité indéterminée sans la désinfecter de façon adéquate avant ou après le système. Utilisez des systèmes homologués pour la réduction des kystes avec de l'eau désinfectée pouvant contenir des kystes filtrables.

### Résultats des tests d'homologation :

- Contenance nominale – 453 L/125 gal US pour le filtre PurePour™ et pour le filtre à glace et à eau
- Débit nominal d'utilisation – 1,9 L/min (0,50 gal US/min)
- Temp. de fonctionnement : min. 0,5°C (33°F), max. 37,7 °C (100 °F)
- Pression nominale maximale - 689,5 kPa (100 lb/po<sup>2</sup>)
- Pression minimale de fonctionnement recommandée : 206 kPa (30 lb/po<sup>2</sup>)

### Pour remplacer votre filtre à eau PurePour™:

Il n'est pas nécessaire de couper l'alimentation en eau pour changer le filtre. Soyez prêt à essuyer de petites quantités d'eau durant le remplacement du filtre.

- Appuyez sur le commutateur **d'arrêt** de la machine à glaçons.
- Retirez le filtre en poussant sur son extrémité.
- Glissez la vieille cartouche du filtre à eau pour la retirer de son boîtier et jetez-la.

4. Déballez la nouvelle cartouche. En vous servant du guide d'alignement, glissez délicatement le filtre dans le boîtier jusqu'à ce qu'il s'arrête contre un connecteur à pression au fond du boîtier.
5. Appuyez sur la cartouche jusqu'à ce qu'elle se verrouille en place (vous devriez entendre un clic lorsqu'elle s'enclenche dans le connecteur à pression).
6. Appuyez un verre contre le distributeur d'eau tout en vérifiant s'il y a des fuites au niveau du boîtier du filtre. Il est normal d'entendre des gargouillis et des giclements pendant que le système élimine l'air dans le distributeur.
7. Après avoir rempli un verre d'eau, continuez à faire couler l'eau du distributeur pendant environ **4 minutes**.
8. Appui sur le commutateur **de marche** de la machine à glaçons.
9. Appuyez sur le bouton **Water Filter** (filtre à eau) du panneau de commande du distributeur automatique d'eau et de glaçons et maintenez-le enfoncé pendant trois secondes. Lorsque l'affichage passe de **rouge à vert**, l'état a été réinitialisé.

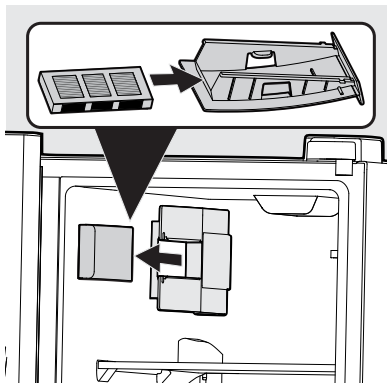
### Filtre à air (certains modèles)

Certains modèles sont déjà dotés d'un filtre à air. Celui-ci se trouve au haut du compartiment d'aliments frais, à côté du filtre à eau.

### Remplacement du filtre à air

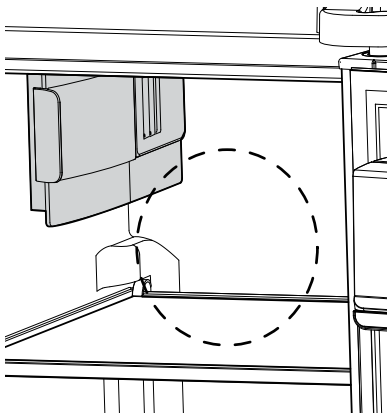
Vous devriez changer votre filtre à air tous les 6 mois (le voyant lumineux d'état du filtre sur le panneau de commande vous rappelle de remplacer le filtre au bout de 6 mois) pour réduire au maximum les odeurs dans le réfrigérateur. Les différents aliments produisent des odeurs à des degrés différents. Installation de votre nouveau filtre à air **PAULTRA2<sup>MC</sup> PureAir Ultra II<sup>MC</sup>** :

1. Tirez le boîtier du filtre à air en ligne droite pour l'extraire.
2. Retirez le filtre usé et jetez-le (s'il y a lieu).
3. Déballez le nouveau filtre et placez-le à l'intérieur du compartiment.
4. Remettez le compartiment en place en le faisant coulisser.
5. Activez ou réinitialisez le voyant lumineux d'état du filtre à air sur le panneau de commande.



### Boîtier du filtre à air/Registre

Dans les régions humides, certains produits placés trop près du boîtier du filtre à air/registre pourraient geler. Si cela se produit, modifiez les réglages de température pour les aliments frais et reconfigurez la tablette du haut de façon à favoriser une bonne circulation de l'air.



## Protéger votre investissement

Gardez votre appareil propre pour préserver son apparence et empêcher l'accumulation d'odeurs. Essuyez immédiatement toute substance renversée et nettoyez les compartiments congélateur et réfrigérateur au moins deux fois par an. Lors du nettoyage, prenez les précautions suivantes:

- N'utilisez jamais de CHLORURE ou de produits de nettoyage à l'eau de javel pour nettoyer l'acier inoxydable.
- Ne lavez aucune pièce fixe dans un lave-vaisselle.
- Débranchez toujours le cordon d'alimentation en électricité de la prise murale avant tout nettoyage.
- Enlevez les étiquettes adhésives à la main. N'utilisez ni lames de rasoir ni autres instruments tranchants qui pourraient rayer la surface de l'appareil.
- Ne retirez pas la plaque signalétique.

N'utilisez pas de nettoyeurs abrasifs tels qu'aérosols pour vitres, nettoyeurs de récurage, brosses, produits inflammables, cires de nettoyage, détergents concentrés, agents de blanchissement ou nettoyeurs contenant des produits pétroliers pour les pièces en plastique, portes intérieures, joints ou revêtements de l'installation. N'utilisez pas d'essuie-tout, de tampons à récurer métalliques ou autres détergents abrasifs, ni de solutions fortement alcalines.

## REMARQUE

Si vous réglez vos commandes de température de manière à désactiver la fonctionnalité de refroidissement, les affichages lumineux et autres composants électriques demeureront alimentés jusqu'à ce que vous débranchiez le cordon d'alimentation de la prise murale.

## ! PRUDENCE

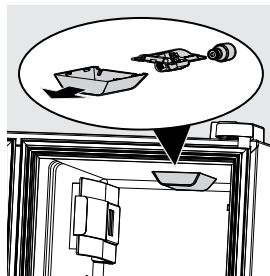
- Tirez l'appareil en ligne droite pour le déplacer. Le fait de le faire osciller d'un côté à l'autre peut endommager le plancher. Faites attention de ne pas déplacer l'appareil au-delà des raccords de plomberie.
- Les objets humides collent aux surfaces froides. Ne touchez pas aux surfaces réfrigérées si vous avez les mains mouillées ou humides.
- Des changements soudains de température peuvent entraîner le bris du verre.

## ➔ IMPORTANT

Si vous entreposez ou déplacez votre appareil dans un endroit exposé au gel, veillez à vidanger complètement le système d'alimentation en eau. Sinon, il pourrait en résulter des fuites d'eau au moment de remettre le l'appareil en service. Adressez-vous à un représentant de service après-vente pour faire effectuer cette opération.

## Remplacement de l'ampoule à DEL

1. Débranchez le réfrigérateur.
2. Portez des gants pour faire glisser le couvercle transparent de l'ampoule le long du haut de l'appareil, vers l'avant de l'appareil.
3. Remplacez l'ampoule à DEL uniquement par une ampoule de 5 watts ou moins. **Prudence :** Pour éviter de vous couper, portez des gants pour remplacer l'ampoule à DEL. Utilisez une ampoule DEL de même puissance pour le remplacement.
4. Remettez le couvercle de l'ampoule en place.
5. Rebranchez le réfrigérateur.





Conseils pour l'entretien et le nettoyage		
Pièce	Produits à utiliser	Conseils et précautions
<b>Intérieur et revêtements de porte</b>	<ul style="list-style-type: none"> <li>• Eau et savon</li> <li>• Bicarbonate de soude et eau</li> </ul>	Utilisez 30 mL (2 c. à table) de bicarbonate de soude dans 1 L (1 pinte) d'eau chaude. <b>Assurez-vous de bien essorer l'eau de l'éponge ou du chiffon avant de nettoyer autour des commandes, de l'ampoule ou de toute pièce électrique.</b>
<b>Joint de porte</b>	<ul style="list-style-type: none"> <li>• Eau et savon</li> </ul>	Essuyez les joints avec un chiffon propre et doux.
<b>Tiroirs et compartiments</b>	<ul style="list-style-type: none"> <li>• Eau et savon</li> </ul>	Utilisez un linge doux pour nettoyer les glissières et les rails des tiroirs.
<b>Clayettes en verre</b>	<ul style="list-style-type: none"> <li>• Eau et savon</li> <li>• Nettoyant pour vitre</li> <li>• Vaporisateurs liquides doux</li> </ul>	Laissez le verre se réchauffer à la température de la pièce avant de l'immerger dans l'eau chaude.
<b>Grille de protection</b>	<ul style="list-style-type: none"> <li>• Eau et savon</li> <li>• Vaporisateurs liquides doux</li> <li>• Embout d'aspirateur</li> </ul>	Passez l'aspirateur sur le devant de la grille de protection. Retirez la grille de protection (voir les instructions d'installation). Passez l'aspirateur sur l'arrière de la grille et essuyez avec une éponge ou un linge savonneux. Rincez et essuyez.
<b>Extérieur et poignées</b>	<ul style="list-style-type: none"> <li>• Eau et savon</li> <li>• Nettoyant pour verre non abrasif</li> </ul>	N'utilisez pas de nettoyant ménager commercial à base d'ammoniaque, de javellisant ou d'alcool pour nettoyer les poignées. Utilisez un linge doux pour nettoyer les poignées. <b>N'utilisez PAS de chiffon sec pour nettoyer les portes lisses.</b>
<b>Extérieur et poignées (modèles en acier inoxydable seulement)</b>	<ul style="list-style-type: none"> <li>• Eau et savon</li> <li>• Nettoyants pour acier inoxydable</li> </ul>	<b>N'utilisez jamais de CHLORE ni de nettoyant avec javellisant pour nettoyer l'acier inoxydable.</b> Nettoyez l'avant et les poignées en acier inoxydable avec de l'eau savonneuse non abrasive et un linge à vaisselle. Rincez avec de l'eau propre et un linge doux. Utilisez un nettoyant pour acier inoxydable non abrasif. Ces nettoyants peuvent être achetés dans la plupart des quincailleries et des grands magasins. Suivez toujours les directives du fabricant. N'utilisez pas de nettoyant ménager à base d'ammoniaque ou de javellisant. <b>REMARQUE : Nettoyez, essuyez et asséchez toujours dans le sens des stries pour éviter les égratignures. Lavez le reste de la carrosserie avec de l'eau chaude et un détergent liquide doux. Rincez bien et essuyez à sec avec un linge doux et propre.</b>
<b>Remplacement des ampoules LED</b>	<ul style="list-style-type: none"> <li>• Débranchez le réfrigérateur</li> <li>• Portez des gants</li> <li>• Remettez le couvercle de l'ampoule du réfrigérateur en place en faisant glisser le couvercle vers l'avant le long du dessus</li> <li>• Remplacer les vieilles ampoules LED</li> <li>• Remettez le couvercle en place</li> <li>• Rebranchez le réfrigérateur</li> </ul>	<b>ATTENTION : Portez des gants lorsque vous remplacez des ampoules LED pour éviter de vous couper.</b> Utiliser même puissance lors du remplacement de l'ampoule LED.

# 26 DÉPANNAGE

Permettez-nous de vous aider à résoudre votre problème! Cette section vous aidera avec les problèmes communs. Si vous avez besoin de nous, visitez notre site, contactez un représentant ou appelez-nous. Nous pourrions peut-être vous aider à éviter une visite d'une révision. Si vous avez besoin d'une révision de service, nous pouvons le faire pour vous!

1-800-374-4432 (États Unis)  
Frigidaire.com

1-800-265-8352 (Canada)  
Frigidaire.ca

PROBLÈME	CAUSE	SOLUTION
<b>MACHINE À GLAÇONS AUTOMATIQUE</b>		
<b>La machine à glaçons ne produit pas de glaçons.</b>	<ul style="list-style-type: none"> <li>La machine à glaçons n'est pas allumée.</li> <li>Le robinet-vanne à étrier du tuyau d'eau froide est bouché ou partiellement obstrué par un corps étranger.</li> </ul>	<ul style="list-style-type: none"> <li>Vérifiez que la machine à glaçons est allumée (voyant vert).</li> <li>La cartouche du filtre à glace et à eau est peut-être obstruée. Remplacez la cartouche du filtre.</li> <li>Fermez le robinet de la conduite d'eau domestique. Enlevez le robinet. Assurez-vous que le robinet n'est pas un robinetvanne à étrier autoperceur. Nettoyez le robinet. Si nécessaire, remplacez le robinet.</li> </ul>
<b>La machine à glaçons ne fabrique pas assez de glaçons.</b>	<ul style="list-style-type: none"> <li>Vérifiez si le distributeur d'eau fonctionne plus lentement que la normale.</li> <li>La commande de température du congélateur est réglée à un niveau trop élevé.</li> </ul>	<ul style="list-style-type: none"> <li>Si c'est le cas, remplacez la cartouche du filtre à glace et à eau.</li> <li>Réglez la commande de congélateur plus froide pour améliorer les performances de la machine à glaçons. Attendez 24 heures pour permettre à la température de se stabiliser.</li> </ul>
<b>La machine à glaçons n'arrête pas de produire des glaçons.</b>	<ul style="list-style-type: none"> <li>Un article dans la congélateur est appuyé contre le fil métallique du levier de signalisation de la machine à glaçons et le maintient abaissé.</li> </ul>	<ul style="list-style-type: none"> <li>Déplacez l'objet et dégagez le fil métallique du levier de signalisation. Enlevez les glaçons soudés au fil métallique du levier de signalisation.</li> </ul>
<b>Les glaçons collent ensemble.</b>	<ul style="list-style-type: none"> <li>Les glaçons ne sont pas utilisés assez fréquemment.</li> <li>Les glaçons sont creux (glaçons partiellement gelés avec de l'eau à l'intérieur).</li> <li>La commande de température du congélateur est réglée à un niveau trop élevé.</li> </ul>	<ul style="list-style-type: none"> <li>Retirez le bac à glaçons et jetez les glaçons qui s'y trouvent. La machine à glaçons produira de nouveaux glaçons.</li> <li>La cartouche du filtre à glace et à eau est peut-être obstruée. Remplacez la cartouche du filtre.</li> <li>Réglez la commande du congélateur à une température plus basse. Attendez 24 heures pour permettre à la température de se stabiliser.</li> </ul>
<b>DISTRIBUTEUR (glaçons et eau)</b>		
<b>Le distributeur ne donne pas de glaçons.</b>	<ul style="list-style-type: none"> <li>Le bac à glaçons est vide.</li> <li>Le réfrigérateur les portes ne sont pas complètement fermées.</li> <li>La palette du distributeur a été enfoncée trop longtemps et le moteur du distributeur a surchauffé.</li> <li>Si vous ne prélevez pas de glace régulièrement, celle-ci peut fondre et regeler, ce qui peut produire des mottons de glace. Le prélèvement de ces mottons peut endommager le seau à glace.</li> </ul>	<ul style="list-style-type: none"> <li>Voir la section «<b>La machine à glaçons ne fabrique pas de glace</b>» ci-dessus.</li> <li>Assurez-vous de fermer le réfrigérateur complètement.</li> <li>Il y a surcharge du moteur. La protection de surcharge du moteur réinitialise au bout d'environ 3 minutes. La distribution de glaçons peut alors reprendre.</li> <li>Videz le seau à glace une fois par mois ou prélevez régulièrement de la glace. Pour les périodes plus longues (vacances ou maison inoccupée), voyez la rubrique <b>Conseils pour la machine et le distributeur à glaçons</b> dans la section <b>DISTRIBUTEUR AUTOMATIQUE D'EAU ET DE GLAÇONS</b> sur la façon d'éteindre la machine à glaçons.</li> </ul>

PROBLÈME	CAUSE	SOLUTION
<b>Le distributeur de glaçons est coincé.</b>	<ul style="list-style-type: none"> <li>• La glace a fondu et a gelé autour de la vis sans fin en raison d'un usage peu fréquent, d'une fluctuation de la température ou d'une panne de courant.</li> <li>• Des glaçons sont coincés entre la machine et l'arrière du bac à glaçons.</li> </ul>	<ul style="list-style-type: none"> <li>• Retirez le bac à glaçons, faites-le décongeler, puis jetez son contenu. Nettoyez le bac, essuyez-le bien et remettez-le en place. Quand des nouveaux glaçons seront fabriqués, le distributeur devrait fonctionner. Voir <b>Nettoyage du bac à glaçons</b> dans la section <b>DISTRIBUTEUR AUTOMATIQUE D'EAU ET DE GLAÇONS</b>.</li> <li>• Enlevez les glaçons qui bloquent le distributeur à glaçons.</li> </ul>
<b>Le distributeur ne donne pas d'eau.</b>	<ul style="list-style-type: none"> <li>• Le filtre à eau non bien assis.</li> <li>• Le filtre à eau est obstrué.</li> <li>• Le robinet de la conduite d'eau domestique n'est pas ouvert.</li> </ul>	<ul style="list-style-type: none"> <li>• Retirez et réinstallez le filtre à eau. Assurez-vous de pousser fermement sur le filtre afin de l'entendre s'enclencher solidement en place.</li> <li>• Remplacez la cartouche filtrante. Assurez-vous de retirer les capuchons protecteurs et de pousser fermement sur le filtre afin de l'entendre s'enclencher solidement en place.</li> <li>• Ouvrez le robinet de la conduite d'eau domestique.</li> </ul>
<b>L'eau a un goût ou une odeur étrange.</b>	<ul style="list-style-type: none"> <li>• Le distributeur d'eau n'a pas été utilisé pendant une longue période de temps.</li> <li>• L'appareil n'est pas correctement raccordé à la conduite d'eau froide.</li> </ul>	<ul style="list-style-type: none"> <li>• Versez et jetez de 10 à 12 verres d'eau afin de rafraîchir l'approvisionnement en eau et rincer complètement le réservoir.</li> <li>• Raccordez l'appareil à la conduite d'eau froide qui dessert le robinet de la cuisine.</li> </ul>
<b>La pression de l'eau est extrêmement basse.</b>	<ul style="list-style-type: none"> <li>• Les pressions sont trop basses (système à puits seulement).</li> <li>• Le système d'osmose inverse est en phase de régénération.</li> </ul>	<ul style="list-style-type: none"> <li>• Faites augmenter les pressions de la pompe à eau (système à puits seulement).</li> <li>• Il est normal que la pression soit inférieure à 137,9 kPa (20 lb/po<sup>2</sup>) durant la phase de régénération. Voir la section <b>RACCORDEMENT AU RESEAU D'ALIMENTATION EN EAU</b> section.</li> </ul>
<b>L'eau n'est pas suffisamment froide.</b>	<ul style="list-style-type: none"> <li>• À mesure que l'eau tiède du robinet passe à travers le filtre et entre dans la cuve d'eau, l'eau refroidie est forcée dans le distributeur. Une fois l'eau refroidie distribuée, l'eau de remplacement prendra plusieurs heures à refroidir.</li> <li>• Certains modèles sont conçus sans un réservoir d'eau, ces systèmes de distribution de l'eau ne sont pas conçus pour refroidir l'eau.</li> </ul>	<ul style="list-style-type: none"> <li>• Ajoutez de la glace dans le verre ou le contenant avant d'y ajouter l'eau.</li> <li>• Ajouter la glace à la tasse ou le contenant avant de distribuer l'eau.</li> </ul>

# 28 DÉPANNAGE

PROBLÈME	CAUSE	SOLUTION
<b>OUVERTURE/FERMETURE DES PORTES/TIROIRS</b>		
<b>Les portes ne ferment pas.</b>	<ul style="list-style-type: none"> <li>• L'une des portes a été fermée trop vigoureusement, ce qui a entrouvert l'autre porte.</li> <li>• Le réfrigérateur n'est pas de niveau. Il se balance sur le plancher lorsque déplacé, même légèrement.</li> <li>• Le réfrigérateur touche un mur ou une armoire.</li> </ul>	<ul style="list-style-type: none"> <li>• Fermez doucement les deux portes.</li> <li>• Assurez-vous que le plancher est de niveau et qu'il peut supporter adéquatement le poids du réfrigérateur. Adressez-vous à un menuisier pour faire corriger un plancher affaissé ou en pente.</li> <li>• Assurez-vous que le plancher est de niveau et qu'il peut supporter adéquatement le poids du réfrigérateur. Adressez-vous à un menuisier pour faire corriger un plancher affaissé ou en pente.</li> </ul>
<b>Les tiroirs sont difficiles à ouvrir et fermer.</b>	<ul style="list-style-type: none"> <li>• Des aliments touchent la clayette au-dessus du tiroir.</li> <li>• Les rainures des tiroirs sont sales.</li> </ul>	<ul style="list-style-type: none"> <li>• Retirez les articles du dessus dans le tiroir.</li> <li>• Assurez-vous que le tiroir est correctement installé sur la glissière.</li> <li>• Nettoyez le tiroir, les roulettes et la glissière. Voir <b>ENTRETIEN ET NETTOYAGE</b>.</li> </ul>
<b>FONCTIONNEMENT DU RÉFRIGÉRATEUR</b>		
<b>Le compresseur ne fonctionne pas.</b>	<ul style="list-style-type: none"> <li>• La commande du congélateur est réglée à « OFF » ou à « 0 ».</li> <li>• Un cycle de dégivrage est en cours.</li> <li>• La fiche est débranchée de la prise murale.</li> <li>• Un fusible est grillé ou un disjoncteur est hors tension.</li> <li>• Panne d'électricité.</li> </ul>	<ul style="list-style-type: none"> <li>• Réglez la commande du congélateur.</li> <li>• Il s'agit d'une condition normale pour un réfrigérateur à dégivrage automatique. Le cycle de dégivrage a lieu de façon périodique et dure environ 30 minutes.</li> <li>• Assurez-vous que la fiche soit bien entrée dans la prise.</li> <li>• Vérifiez/remplacez le fusible avec un fusible à action retardée de 15 A. Réinitialisez le disjoncteur.</li> <li>• Vérifiez les lumières de la maison. Appelez votre fournisseur d'électricité local.</li> </ul>
<b>Le réfrigérateur fonctionne trop souvent ou trop longtemps.</b>	<ul style="list-style-type: none"> <li>• La pièce ou la température extérieure est chaude.</li> <li>• Les portes sont ouvertes trop souvent ou trop longtemps.</li> <li>• La porte du réfrigérateur/congélateur est peut-être entrouverte.</li> <li>• La commande de température du congélateur est réglée à un niveau trop bas.</li> <li>• Le joint du réfrigérateur/congélateur est sale, usé, craquelé ou mal ajusté.</li> <li>• Le condenseur est sale.</li> </ul>	<ul style="list-style-type: none"> <li>• Il est normal que le réfrigérateur fonctionne plus longtemps dans ces conditions.</li> <li>• Le réfrigérateur fonctionne davantage si de l'air chaud y pénètre. Ouvrez les portes moins souvent.</li> <li>• Assurez-vous que le réfrigérateur est de niveau. Évitez que des aliments ou des contenants bloquent la porte. Voir la colonne <b>PROBLÈME OUVERTURE/FERMETURE DES PORTES/TIROIRS</b>.</li> <li>• Réglez la commande du réfrigérateur à une température plus chaude jusqu'à ce que la température du réfrigérateur soit satisfaisante. Attendez 24 heures pour permettre à la température de se stabiliser.</li> <li>• Nettoyez ou remplacez le joint. Si un joint d'étanchéité fuit, le réfrigérateur doit fonctionner plus longtemps pour maintenir la température désirée.</li> <li>• Nettoyez le condenseur. Voir <b>ENTRETIEN ET NETTOYAGE</b>.</li> </ul>
<b>Le compresseur s'allume et s'éteint fréquemment.</b>	<ul style="list-style-type: none"> <li>• Le thermostat maintient le réfrigérateur à une température constante.</li> </ul>	<ul style="list-style-type: none"> <li>• Ceci est normal. Le réfrigérateur se met en marche et s'arrête pour maintenir la température constante.</li> </ul>

PROBLÈME	CAUSE	SOLUTION
<b>AFFICHAGE NUMÉRIQUE DE LA TEMPÉRATURE</b>		
<b>Les afficheurs numériques de température clignotent.</b>	<ul style="list-style-type: none"> <li>Le système de commande électronique a détecté un problème de fonctionnement.</li> </ul>	<ul style="list-style-type: none"> <li>Communiquez avec votre représentant du service après-vente Frigidaire, qui est en mesure d'interpréter les messages ou les codes qui clignotent sur les afficheurs numériques.</li> </ul>
<b>EAU/HUMIDITÉ/GIVRE À L'INTÉRIEUR DU RÉFRIGÉRATEUR</b>		
<b>De l'humidité s'accumule à l'intérieur, sur les parois du réfrigérateur.</b>	<ul style="list-style-type: none"> <li>La température extérieure est chaude et humide.</li> <li>La porte est entrouverte.</li> </ul>	<ul style="list-style-type: none"> <li>Le niveau d'accumulation de givre et de suintement interne augmente.</li> <li>Voir la colonne <b>PROBLÈME OUVERTURE/FERMETURE DES PORTES/TIROIRS.</b></li> </ul>
<b>De l'eau s'accumule sur le côté inférieur du couvercle du tiroir.</b>	<ul style="list-style-type: none"> <li>Les légumes laissent échapper l'humidité qu'ils contiennent.</li> </ul>	<ul style="list-style-type: none"> <li>Il n'est pas inhabituel que de l'humidité se forme sur le côté inférieur du couvercle.</li> <li>Mettez la commande de l'humidité (certains modèles) à un réglage plus bas.</li> </ul>
<b>De l'eau s'accumule au fond du tiroir.</b>	<ul style="list-style-type: none"> <li>Les légumes et les fruits lavés s'égouttent une fois dans le tiroir.</li> </ul>	<ul style="list-style-type: none"> <li>Asséchez les aliments avant de les mettre dans le tiroir. Il est normal que de l'eau s'accumule au fond du tiroir.</li> </ul>
<b>Les produits rangés sur la tablette du haut gèlent.</b>	<ul style="list-style-type: none"> <li>Le réglage de température pour les aliments frais est trop froid.</li> <li>Certains produits sont placés trop près du boîtier du filtre à air/registre.</li> </ul>	<ul style="list-style-type: none"> <li>Modifiez les réglages de température pour les aliments frais.</li> <li>Reconfigurez la tablette du haut de façon à favoriser une bonne circulation de l'air. Consultez la rubrique <b>Boîtier du filtre à air/Registre</b> dans la section <b>REMPLACEMENT DU FILTRE.</b></li> </ul>
<b>EAU/HUMIDITÉ/GIVRE À L'EXTÉRIEUR DU RÉFRIGÉRATEUR</b>		
<b>De l'humidité apparaît à l'extérieur du réfrigérateur ou entre les portes.</b>	<ul style="list-style-type: none"> <li>Le taux d'humidité à l'extérieur est élevé.</li> <li>La porte est entrouverte, ce qui fait que l'air froid à l'intérieur du réfrigérateur rencontre l'air chaud de l'extérieur.</li> </ul>	<ul style="list-style-type: none"> <li>Ceci est normal si le taux d'humidité extérieur est élevé. Lorsque les conditions météorologiques seront moins humides, l'humidité devrait disparaître.</li> <li>Voir la colonne <b>PROBLÈME OUVERTURE/FERMETURE DES PORTES/TIROIRS.</b></li> </ul>

Votre appareil est couvert par une garantie limitée d'un an. Pendant un an à partir de la date d'achat d'origine, Electrolux assumera les coûts des réparations ou du remplacement des pièces de cet appareil si ce dernier présente un défaut de matériau ou de fabrication, à la condition que l'appareil soit installé, utilisé et entretenu selon les instructions fournies.

#### Exclusions

#### Cette garantie ne couvre pas ce qui suit:

1. Les produits dont le numéro de série original a été enlevé, modifié ou n'est pas facilement déterminable.
2. Les produits qui ont été transférés de leur propriétaire initial à une autre personne ou qui ne sont plus aux États-Unis ou au Canada.
3. La présence de rouille à l'intérieur ou à l'extérieur de l'appareil.
4. Les produits vendus « tels quels » ne sont pas couverts par cette garantie.
5. La perte de nourriture à la suite d'une défaillance du réfrigérateur ou du congélateur.
6. Les produits utilisés dans des établissements commerciaux.
7. Les appels de service qui ne concernent pas un mal fonctionnement, un défaut de fabrication ou de matériau, ou pour les appareils qui ne font pas l'objet d'un usage domestique ou qui ne sont pas utilisés conformément aux instructions fournies.
8. Les appels de service pour vérifier l'installation de votre appareil ou pour obtenir des instructions concernant l'utilisation de votre appareil.
9. Les frais engagés pour accéder à des parties de l'appareil pour une réparation, par exemple, le retrait des garnitures, des armoires, des clayettes, etc., qui ne faisaient pas partie de l'appareil lorsqu'il a quitté l'usine.
10. Les appels de service qui concernent la réparation ou le remplacement des ampoules, des filtres à air, des filtres à eau, d'autres matériels ou des boutons, poignées ou autres pièces esthétiques.
11. Les frais supplémentaires comprenant, mais sans s'y limiter, les appels de service en dehors des heures normales de bureau, en fin de semaine ou pendant un jour férié; les droits de péage; les frais de convoyage ou les frais de déplacement pour les appels de service dans des endroits isolés, notamment l'Etat de l'Alaska.
12. Les dommages causés au fini de l'appareil ou à la maison pendant l'installation, y compris, sans s'y limiter, aux planchers, aux armoires, aux murs, etc.
13. Les dommages causés par : des réparations effectuées par des techniciens non autorisés; l'utilisation de pièces autres que les pièces Electrolux d'origine ou qui n'ont pas été obtenues par l'entremise d'un réparateur autorisé; ou les causes étrangères comme une utilisation abusive ou inappropriée, une alimentation électrique inadéquate, un accident, un incendie ou une catastrophe naturelle.

#### AVERTISSEMENT CONCERNANT LES GARANTIES IMPLICITES; LIMITATIONS DES RECOURS

L'UNIQUE RECOURS DU CLIENT EN VERTU DE CETTE GARANTIE LIMITÉE EST LA RÉPARATION OU LE REMPLACEMENT DU PRODUIT SELON LES TERMES DE LA PRÉSENTE. LES RÉCLAMATIONS BASÉES SUR DES GARANTIES IMPLICITES, Y COMPRIS LES GARANTIES IMPLICITES DE QUALITÉ MARCHANDE OU D'ADAPTATION À UN USAGE PARTICULIER, SONT LIMITÉES À UN AN OU À LA PÉRIODE LA PLUS COURTE PERMISE PAR LA LOI, QUI NE DOIT PAS ÊTRE INFÉRIEURE À UN AN. ELECTROLUX NE POURRA ÊTRE TENUE RESPONSABLE DES DOMMAGES ACCESSOIRES OU INDIRECTS NI DES DOMMAGES MATÉRIELS ET DES DÉPENSES IMPRÉVUES RESULTANT D'UNE VIOLATION DE CETTE GARANTIE ÉCRITE OU DE TOUTE AUTRE GARANTIE IMPLICITE. CERTAINS ÉTATS ET CERTAINES PROVINCES NE PERMETTENT AUCUNE RESTRICTION OU EXEMPTION SUR LES DOMMAGES ACCESSOIRES OU INDIRECTS NI RESTRICTION SUR LES GARANTIES IMPLICITES. DANS CE CAS, CES RESTRICTIONS OU EXEMPTIONS POURRAIENT NE PAS ÊTRE APPLICABLES. CETTE GARANTIE ÉCRITE VOUS DONNE DES DROITS LÉGAUX PRÉCIS. IL SE PEUT QUE VOUS AYEZ D'AUTRES DROITS VARIANT SELON L'ÉTAT OU LA PROVINCE.

#### Si vous avez besoin d'une réparation

Conservez votre reçu, votre bon de livraison ou une autre preuve valide de paiement pour établir la période de la garantie dans le cas où vous devriez faire appel aux services d'un technicien autorisé. Si une réparation doit être effectuée, veuillez obtenir et conserver tous les reçus.

Le service auquel vous avez recours en vertu de cette garantie doit être obtenu en communiquant avec Electrolux aux adresses ou aux numéros de téléphone indiqués ci-dessous.

Cette garantie n'est valide qu'aux États-Unis et au Canada. Aux États-Unis, votre appareil est garanti par Electrolux Major Appliances North America, une division d'Electrolux Home Products, Inc. Au Canada, votre appareil est garanti par Electrolux Canada Corp. Personne n'est autorisée à modifier les obligations contenues dans cette garantie ni d'y ajouter quelque élément que ce soit. Les obligations de cette garantie concernant la réparation et les pièces doivent être remplies par Electrolux ou par une compagnie de réparation autorisée. Les caractéristiques et les spécifications décrites ou illustrées peuvent être modifiées sans préavis.

États-Unis

1-800-374-4432

Frigidaire

10200 David Taylor Drive

Charlotte, NC 28262



Electrolux

Canada  
1.800.265.8352  
Electrolux Canada Corp.  
5855 Terry Fox Way  
Mississauga, Ontario, Canada  
L5V 3E4



# FRIGIDAIRE®

Bienvenue au *foyer*

Notre foyer est votre foyer. Visitez-nous si vous avez besoin d'aide pour l'un des éléments suivants :



soutien des propriétaires



accessoires



service



enregistrement

(Voir votre carte d'enregistrement pour plus d'informations.)

Frigidaire.com  
1-800-374-4432

Frigidaire.ca  
1-800-265-8352