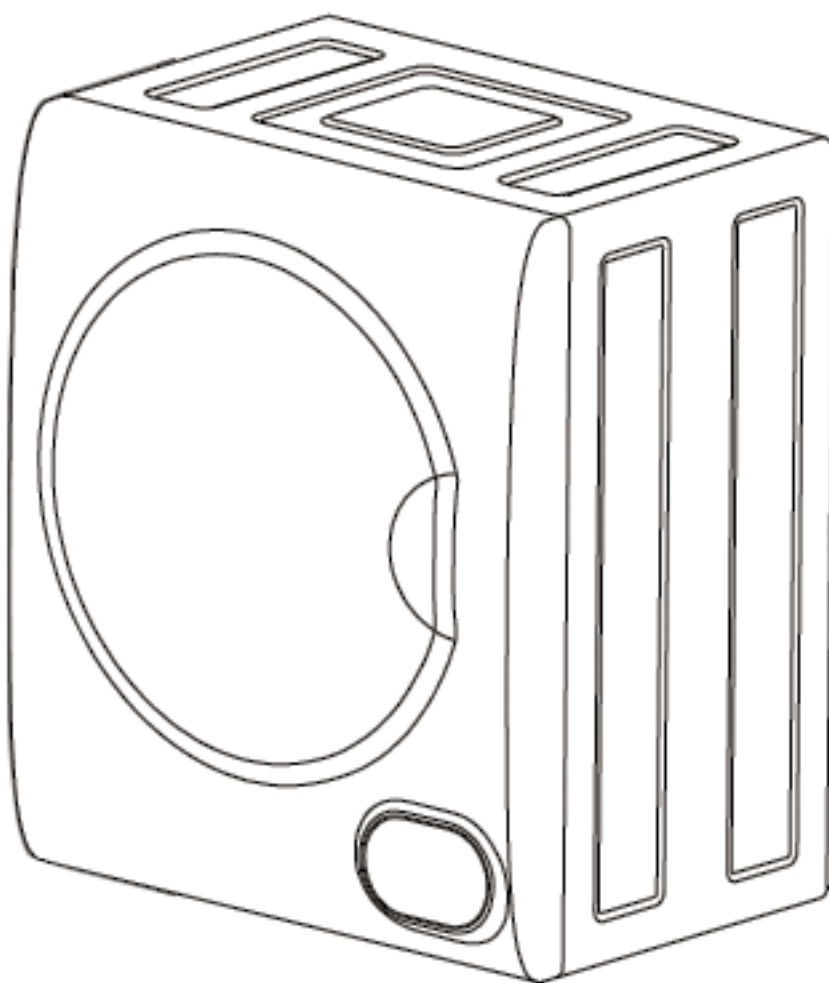




AUTOMATIC DRYER

ITEM: 99821 / 99822



OWNER'S MANUAL AND SAFETY INSTRUCTIONS

SAVE THIS MANUAL: KEEP THIS MANUAL FOR SAFETY WARNINGS, PRECAUTIONS, ASSEMBLY, OPERATING, INSPECTION, MAINTENANCE AND CLEANING PROCEDURES. WRITE THE PRODUCT'S SERIAL NUMBER ON THE BACK OF THE MANUAL NEAR THE ASSEMBLY DIAGRAM (OR MONTH AND YEAR OF PURCHASE IF PRODUCT HAS NO NUMBER).

FOR QUESTIONS PLEASE CALL OUR CUSTOMER SUPPORT: (909) 628-0880 MON-FRI 9AM TO 3PM PST



GENERAL SAFETY WARNINGS

Read all safety warnings and instructions. Failure to follow the warnings and instructions may result in electric fire and/or serious injury. Save all warnings and instructions for future reference.

SAFETY

The warnings, precautions, and instructions discussed in this instruction manual cannot cover all possible conditions and situations that may occur. It must be understood by the operator that common sense and caution are factors which cannot be built into this product, but must be supplied by the operator. Read carefully and understand all ASSEMBLY AND OPERATION INSTRUCTIONS before operating. Failure to follow the safety rules and other basic safety precautions may result in serious personal injury.

- Read and understand all instructions. Failure to follow all instructions may result in serious injury or property damage.
- **DO NOT** allow persons to operate or assemble the product until they have read this manual and have developed a thorough understanding of how it works.
- **DO NOT** modify this product in any way. Unauthorized modification may impair the function and/or safety and could affect the life of the product. There are specific applications for which the product was designed.
- The appliance is intended for indoor use only. **DO NOT** use outdoors.
- **DO NOT** unplug your appliance by pulling on its power cord. **ALWAYS** grasp the plug firmly and pull it straight out from the outlet.
- **DO NOT** operate any appliance that has a damaged cord or plug, if it is damaged or malfunctions in any way, or if the outlet is not in proper working order. Contact customer service or a service technician.
- **ALWAYS** turn off and unplug from outlet before servicing, changing accessories or cleaning the unit. Allow unit to cool down completely before cleaning, moving or servicing. Turning the unit off does not disconnect it from the power source.
- **DO NOT** tamper with or modify the controls.
- **WARNING:** Risk of child entrapment. **DO NOT** allow children to play on or in the appliance. Close supervision of children is necessary when the appliance is used around them.
- The appliance must be plugged into a properly installed and grounded outlet that meets the voltage requirements listed on the ratings label.
- **DO NOT** modify or repair the unit by yourself. Contact customer service or a qualified service technician if service is required.
- To reduce the risk of electric shock or fire, **DO NOT** use an extension cord or outlet adapters to connect the unit to an electrical power source. The appliance must be properly grounded using a three-prong electric receptacle wall outlet.
- It is recommended to unplug the unit when it is not in use.
- **DO NOT** locate the appliance or cord near heat sources such as radiators, air ducts or direct sunlight.

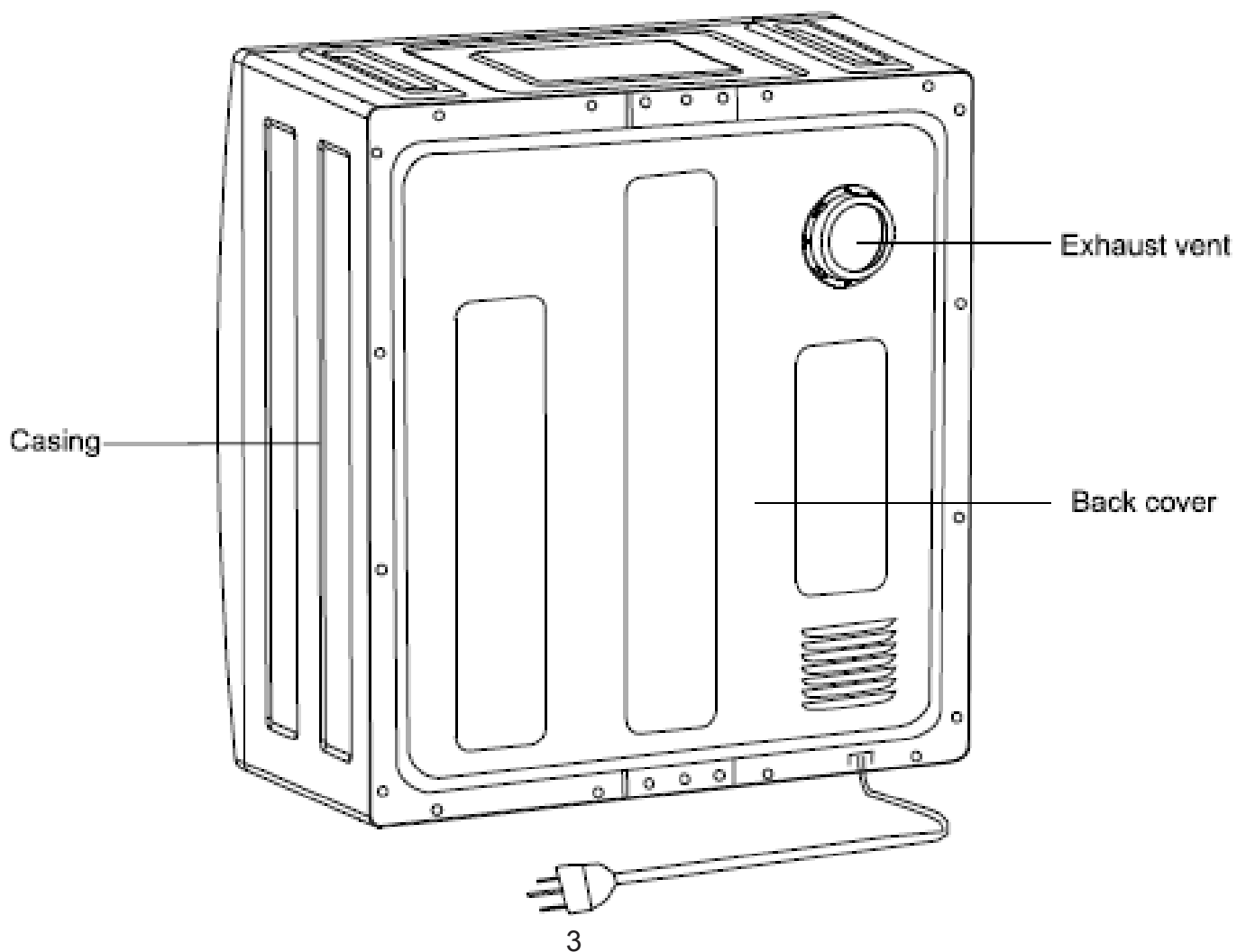
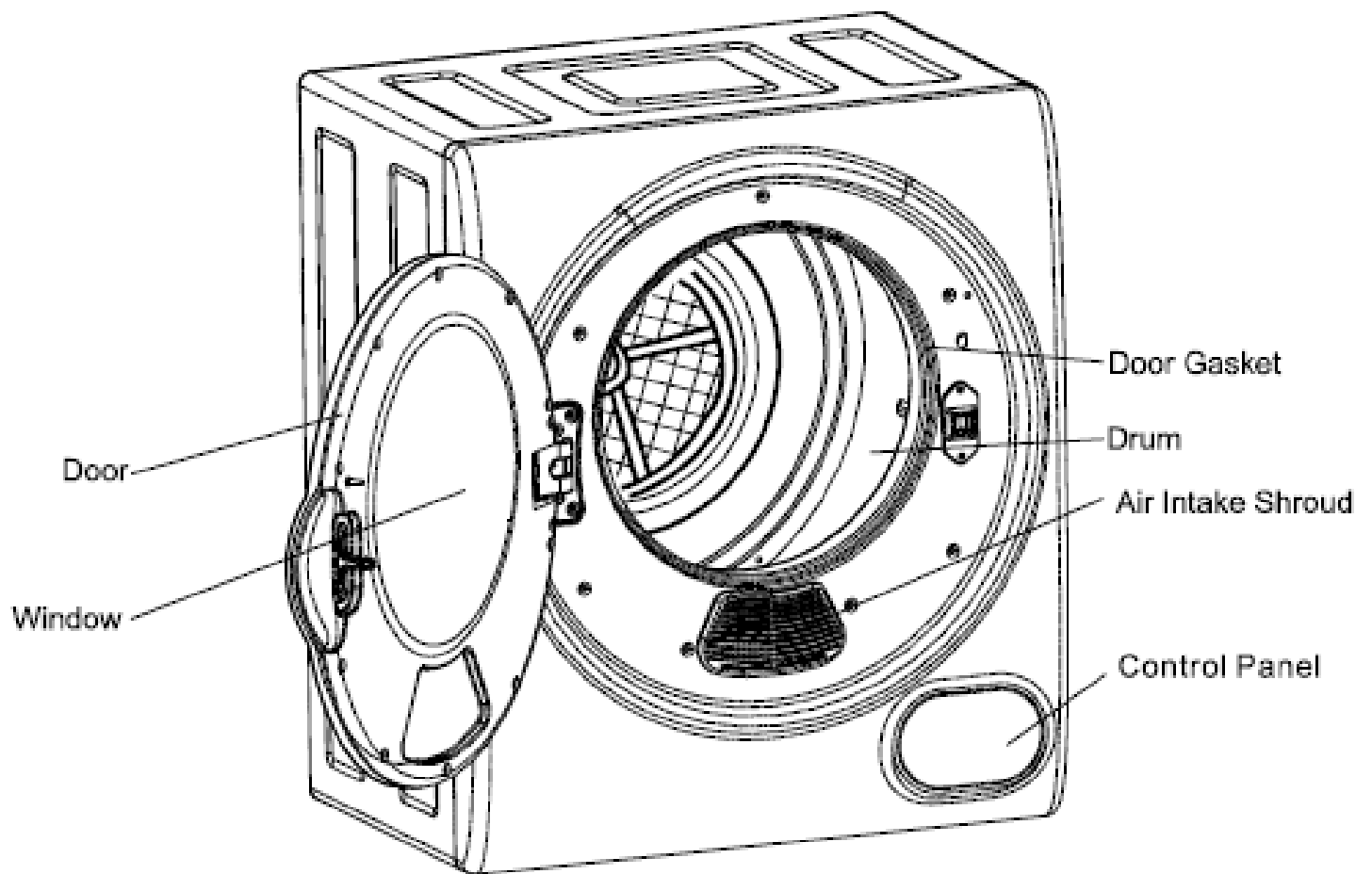
IMPORTANT SAFETY INFORMATION

- **DO NOT** block any of the ventilation openings. Ensure the vents are not covered.
- **DO NOT** place items that have been soiled with flammable liquids inside the dryer without washing them thoroughly with detergent.
- This appliance is only to be serviced by a qualified person. There are no user-serviceable parts inside.
- **DO NOT** install this appliance in a tight fitting cabinet.
- **DO NOT** overload the tumble dryer.
- Ensure foreign objects do not find their way into the dryer.
- The door window may be hot after a long drying cycle. Please ensure children are kept away from the dryer.
- If the tumble is not mounted to the wall, place it on a flat, firm, dry and drafty place. Use the adjustable front legs to assist in levelling the dryer if need be.
- **DO NOT** use flammable or combustible materials such as gas, petrol, alcohol or lacquer in the dryer.
- After turning off the power supply to the tumble dryer. Wait at least two minutes before turning it back on again.
- Please remove the transport packaging at the rear of the dryer, prior to use.
- If the supply cord is damaged, it must be replaced by the manufacturer.
- This appliance is not intended for use by persons (including children) with reduced physical, sensory or mental capabilities, or lack of experience and knowledge, unless they have been given supervision or instruction concerning use of the appliance by a person responsible for their safety.
- **CAUTION:** If this appliance is supplied from an extension cord extension set or an electrical portable outlet device. The cord extension set or electrical portable outlet device must be positioned so that it is not subject to splashing or ingress of moisture.
- Items such as foam rubber (latex foam), shower caps, waterproof textiles, rubber backed articles and clothes or pillows fitted with foam rubber pads should not be dried in the tumble dryer.
- The final part of the dryer cycle occurs without heat (cool down cycle) to ensure that the items are left at temperature that ensures the items will not be damaged.
- **DO NOT** allow lint to collect around tumble dryer.
- Exhaust air must not be discharged into a flue which is used for exhausting fumes from appliances burning gas and other fuels.
- The appliance must not be installed behind a lockable door, a sliding door or a door with a hinge on the opposite side to that of the tumble dryer, in such a way that a full opening of the tumble dryer door is restricted.



SAVE THESE WARNINGS

PRODUCT INFORMATION



INSTALLATION

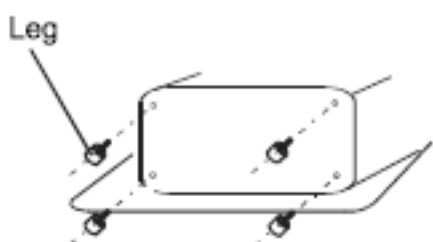
Installation Instructions

This dryer can not be used upside down
Where to place your dryer ?

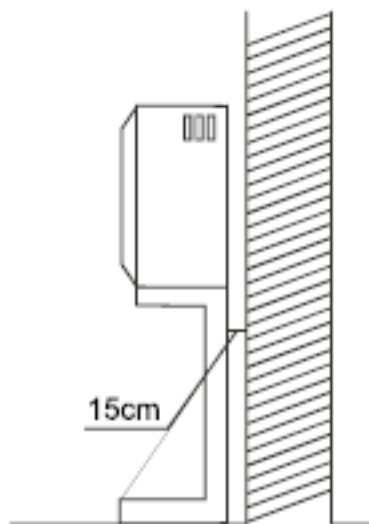
Place the dryer in a dry well ventilated area. It should be positioned away from heat and direct sunlight.

If the dryer is not wall mounted, it must be placed on firm horizontal ground. Do not place the dryer on carpet as this will block the intake. There should be at least 15cm between the dryer and the wall.

The dryer comes with fixed legs that need to be assembled to ensure stability.



If the dryer is rack mounted. A secure bracket is required to ensure stability and prevent vibration. At least 15cm between the dryer and walls is required (The bracket is not included).








Bracket

Wall Mounting Instructions

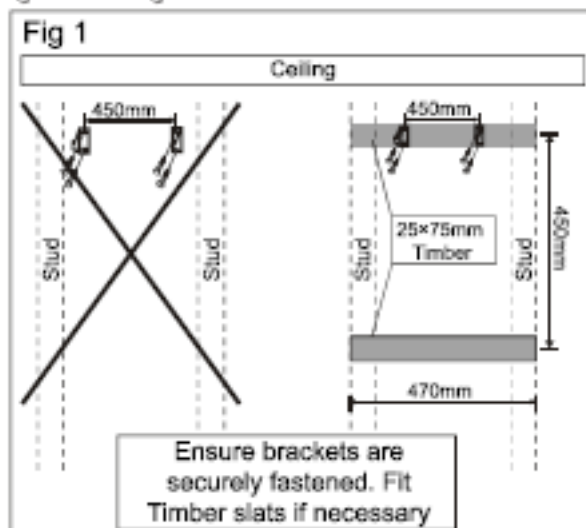
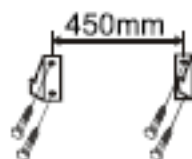
1. Determine dryer position on wall and mark required bracket position. This dryer is not suitable to be directly placed on top of a washing machine.

- * A minimum 50mm is needed between the top of the dryer and the ceiling for ease of installation.
- * If mounting above a washing machine, allow sufficient room to open the lid of the washer.

| Tools Required | | |
|---|---|---|
| Tools & parts required for plaster/ wooden wall | Drill & 3mm Bit | 1 |
| | Philips Head screw Driver | 1 |
| | Wood Screws, $\Phi 12 \times 50$ mm Timber screws | 4 |
| | Helper to lift dryer onto wall | 1 |

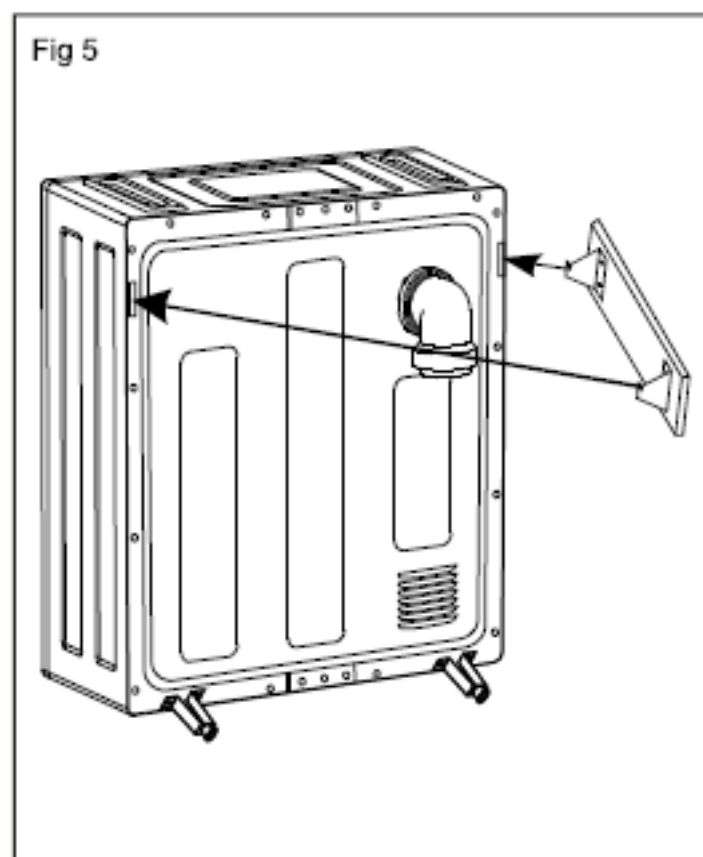
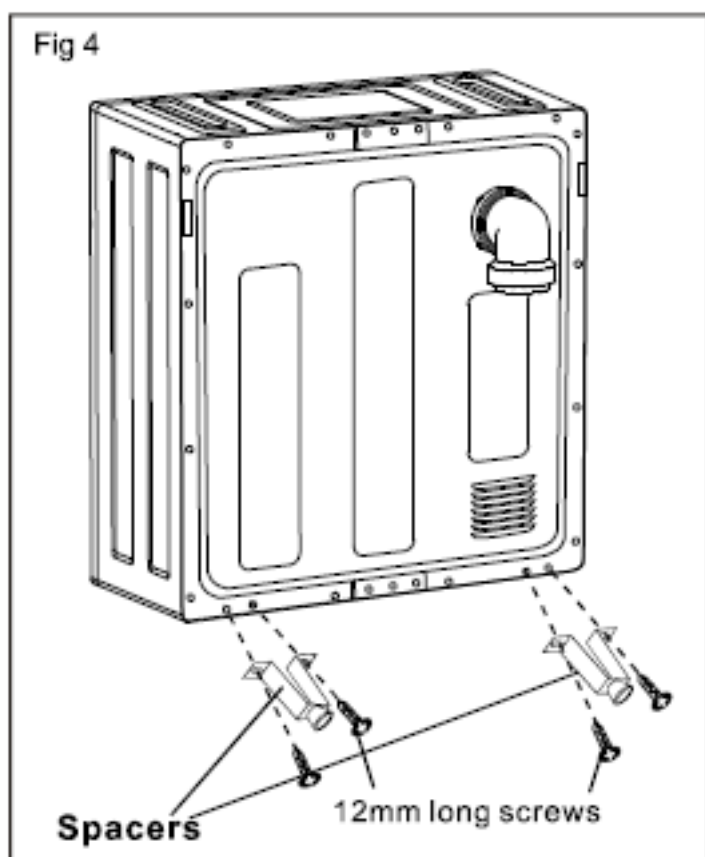
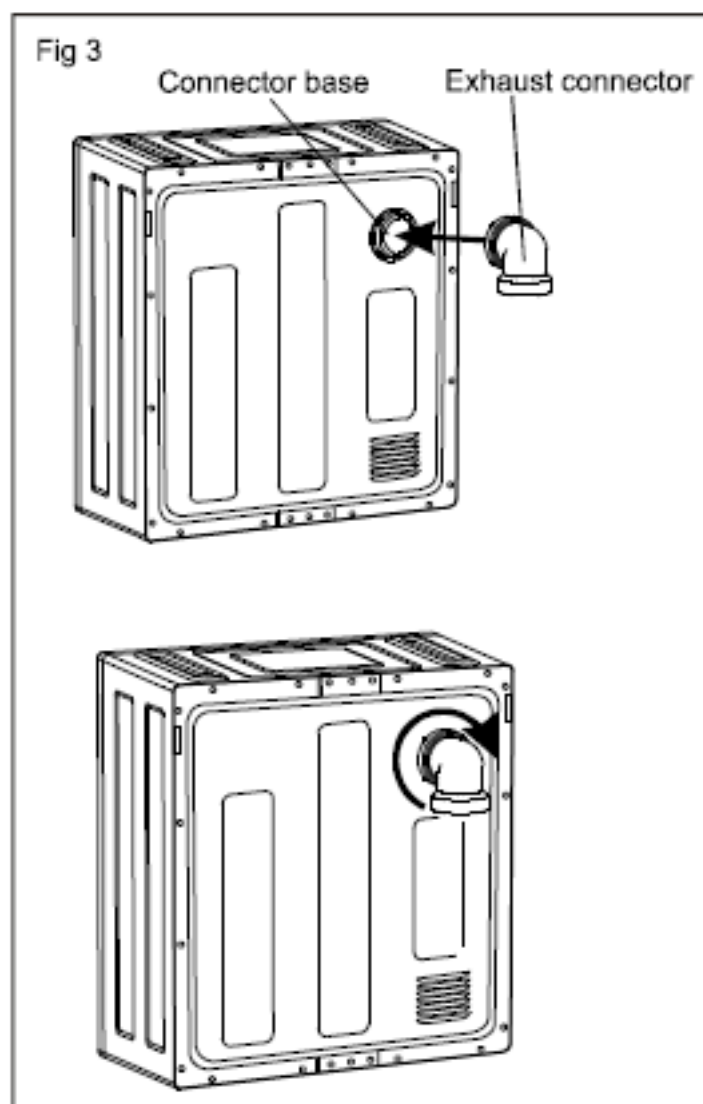
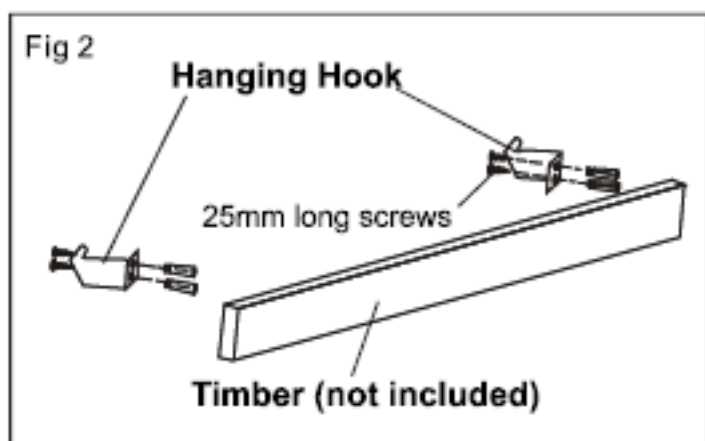
| Wall Mounting Kit Includes | | | |
|----------------------------|-------------------|---|---|
| Description | Hanging brackets |  | 2 |
| | Plastic spacers |  | 2 |
| | Exhaust connector |  | 1 |
| | 12mm Long Screws |  | 4 |
| | 25mm Long Screws |  | 4 |

2. Fix the wall hanging brackets (2 supplied) to the wall securely (e.g. into the stud.) Fit a timber slat between the studs to mount the brackets if the stud position is too wide.



INSTALLATION

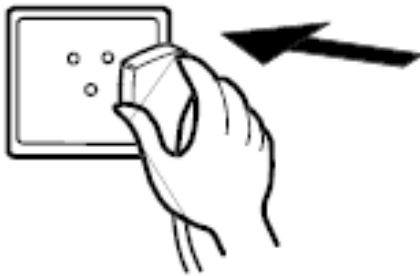
3. To install the hanging hook to timber, start at Fig 2.
4. Align hanging hooks and fasten screws tightly.
5. Please adjust the exhaust connector direction, then, match the exhaust connector onto the connector. Please refer to Fig 3.
6. Turn the exhaust connector clockwise, until it insert into the connector's groove.
7. Using 4 x 12mm screws (provided) to fix the 2 spacers as per Fig 4.
8. With assistance, mount dryer on wall bracket See Fig 5.



OPERATION

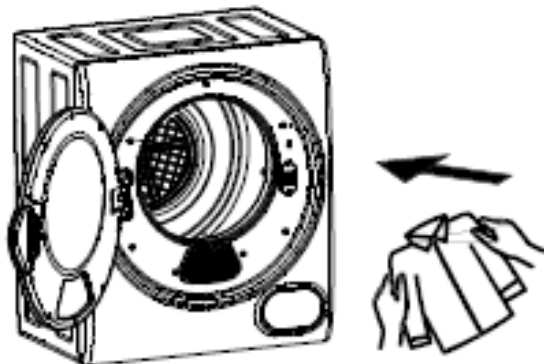
Electrical Requirements

The unit is required to be plugged into a three pin socket that is reliably grounded. Plug the power cord into the socket.



Loading the dryer

It is recommended that items are placed into the dryer one at a time. This ensures they are not tangled which results in uneven drying. When closing the dryer door prior to starting the unit ensures that items are not jammed in the door.



Tips before drying

Prior to loading the dryer check that the items do not have the following symbols anywhere on them. If they do, do not tumble dry these items.



Dry flat



Dry in the shade



Do not tumble dry



Hang to dry



Drip dry

- Check the items to be dried do not have combustible materials or foreign objects within them i.e.: lighters, hair pins, coins.

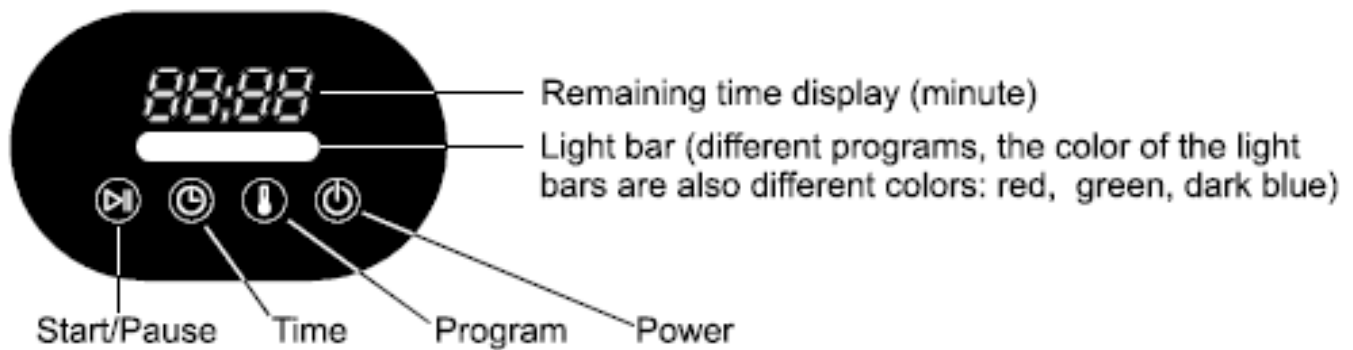


- Turn items with zippers inside out and fasten buckles.



- Dryer heat may permanently set stains, ensure you check prior to drying that stains are removed.
- Separate dark and light colored items as you would do when washing.
- For best results load the dryer with similar fabrics. Place small delicate items in a mesh bag and do not overload the dryer.
- The maximum mass is 2.5 kilogram's of dry textile material for the dryer and do not overload. The tumble dryer is intended only for drying textile material washed in water.

Control Panel Functions



Power Button

When the power cord is connected to the socket, the power button is slightly lit, and you can see the location of the power button. After touching the power button, other buttons and descriptions on the control panel appear, and the dryer enters standby mode.

Program Button

This button is used to select a different drying program, as described below.

- a) **Strong drying:** Select this program, the light bar is red, the remaining time defaults to "150". In the process of running the program, the heater full power heating, run the set time after the shutdown. Generally used to dry larger size clothing.
- b) **Normal drying:** When this program is selected, the light bar is green and the remaining time is displayed as "90". In this mode of operation, the heater half-power heating, run the set time after the shutdown. This mode has two functions of ironing and drying, ironing function set time is generally not more than 90 minutes, after the shutdown will still contain moisture, easy ironing; drying function set time is generally not less than 120 minutes, Generally used for small size clothing or a small amount of clothing.
- c) **In addition to taste dry:** Select this program, the light bar is dark blue, the remaining time is displayed as "30". In this program is running, the heater does not heat, run the set time after the shutdown, this procedure is generally used to remove the smell of clothing (such as clothing storage time is too long to produce the smell).

Note: This button is invalid during the operation of the dryer. To change the program, touch the "Start / Pause" button to pause the dryer before touching this button to change the mode.

Time Button

This button is used to set the drying time, each touch, the time increased by 20 minutes, up to not more than 200 minutes. When the remaining time is greater than 180 minutes, touch this button, and the remaining time jump to 20 minutes. In the intelligent drying program, this button is invalid. During the operation of the dryer, this button is also invalid, if you need to change the time, you must first touch the "Start / Pause" button to pause the dryer, and then touch the key to change the time.

Start/Pause Button

Press this button to start or pause the dryer operation.

When the program and time are set, touch the button to start the dryer. To change the time or procedure while the dryer is running, touch the key to put the dryer in a paused state.

OPERATION

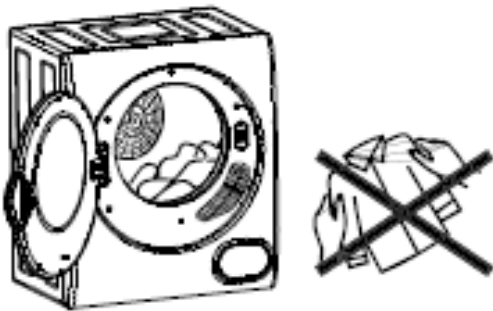
Delicate items should be placed into a nylon net bag prior to drying. It is not recommended to dry under wire bras in this unit.



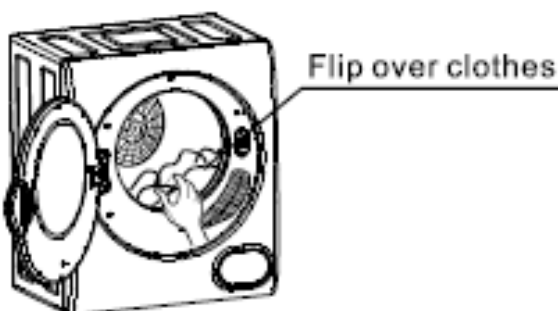
Ensure that foreign objects do not find their way into the dryer. All pockets should be emptied, buttons, buckles and zips fastened. This will also help reduce impact noise when the items hit against the turning drum.



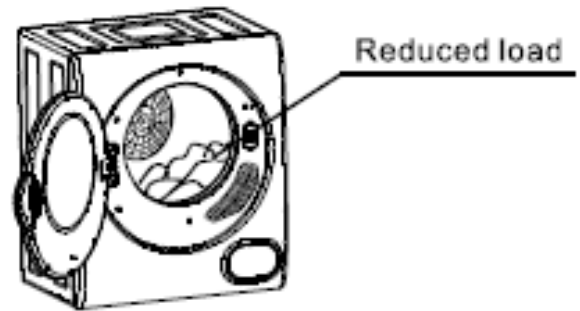
Do not add items into the dryer whilst it is in operation.



If drying large items such as a blanket, it is recommended that from time to time you open the dryer door, shake the item, place the item back in the dryer and close the door. This will ensure even drying



To ensure you get the most out of the Anti-wrinkle function do not overload the dryer and remove the dried items from the dryer immediately and hang on coat hangers. Iron the items if desired.



To minimize the risk of fire in a tumble dryer, the following should be observed:

- Items that have been spotted or soaked with vegetable or cooking oil constitute a fire hazard and should not be placed in a tumble dryer.

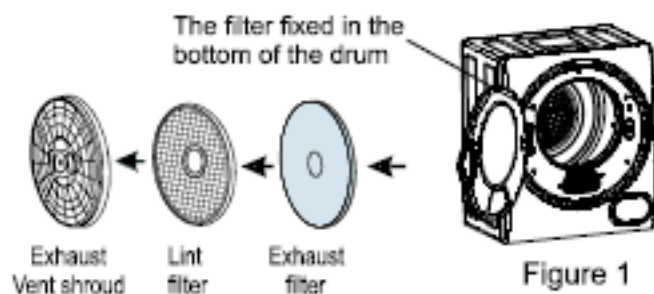
Oil-affected items can ignite spontaneously, especially when exposed to heat sources such as in a tumble dryer. The items become warm, causing an oxidation reaction in the oil. Oxidation creates heat. If the heat cannot escape, the items can become hot enough to catch fire. Piling, stacking or storing oil-affected items can prevent heat from escaping and so create a fire hazard.

Cleaning the Lint Filter

Please unplug the power cord prior to any cleaning. The lint filter must be in place whenever drying. It must be cleaned before each use.

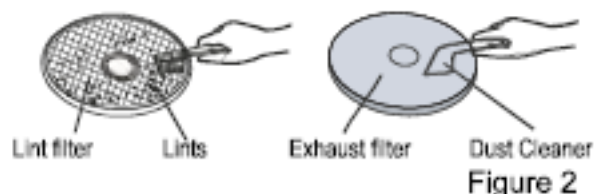
1. Removing the filters

Remove by pulling outwards with fingers, inserted into the four holes around the exhaust vent shroud. The filter is in 3 parts: Exhaust vent shroud, lint filter and exhaust filter (as shown in figure 1)



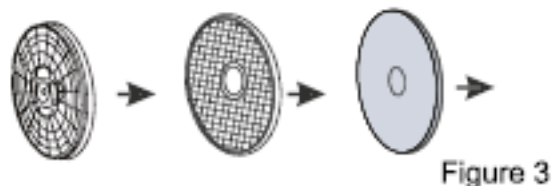
2. Cleaning the filter

Separate "exhaust vent shroud", "lint filter" and "exhaust filter". Clean the lint on the lint filter and exhaust filter with a soft brush or vacuum cleaner. Do not damage the filters (as shown in figure 2).



3. Re-installing the filter

After cleaning, assemble in the sequence of "exhaust filter - lint filter - exhaust vent shroud", align the recesses in the center with the projection in the center of the drum. Make sure that it is firmly inserted (as shown in figure 3).



Note: The filter fixed in the bottom of the drum should also be cleaned with a soft brush.

Cleaning of the Air Intake Filter

The filter should be cleaned once a month.

Remove by pulling outwards holding the upper and lower ends of the air intake shroud. Remove the filter inside the shroud and clean it with a soft brush. Reassemble and install as before.



Slightly push upwards with your thumb until the latch hook disconnects, then remove.

Cleaning the interior & exterior of the Dryer

Do not wash directly with water.

Do not use thinner, gasoline or alcohol.

Do not use any type of spray cleaner when cleaning the interior. If dryer drum becomes stained, clean the drum with a damp cloth.

Remove any residue before drying the next load.

Clean cabinet with mild soap and water. Do not use harsh or abrasive cleaners, this could damage the dryer.



WARNING: Regularly clean the lint trap



CAUTION! HOT SURFACE

- Do not touch the intake during the drying cycle due to high temperatures

READ THE INSTRUCTIONS

TROUBLESHOOTING

Review the following pages before calling for service.

| Problem | Possible Cause | What to do |
|-------------------------------------|--|--|
| Timer knob does not turn | <ul style="list-style-type: none"> ● Is the power cord inserted firmly? | <ul style="list-style-type: none"> ● Insert the power cord firmly. |
| Drum does not turn | <ul style="list-style-type: none"> ● Is the door closed? ● Is the power cord inserted? ● Does the receptacle have power? | <ul style="list-style-type: none"> ● Close the door. ● Insert the power cord firmly. ● Check the power cord receptacle. |
| Hot air is not blowing out | <ul style="list-style-type: none"> ● Does the receptacle have power? | <ul style="list-style-type: none"> ● Set the timer to hot air. |
| The laundry is not thoroughly dried | <ul style="list-style-type: none"> ● Are the front and back filters clogged? ● Is there too much laundry in the dryer? ● Have items been added whilst the dryer is in operation? ● Has the laundry become twisted whilst drying? ● Has the dryer been placed in a small and badly ventilated area? ● Have you set the dryer to Anti-Wrinkle? | <ul style="list-style-type: none"> ● Clean the filter, ● Reduce the amount in the dryer. ● Re-dry the items again. ● Untwist the items and re-dry. ● Place the dryer in a well-vented area. ● Try using 'Warm' or 'Hot' setting instead. |
| Dryer does not start | <ul style="list-style-type: none"> ● Is there a power failure? ● Is the power cord inserted firmly? ● Is the door closed? ● Is the timer in the OFF position? | <ul style="list-style-type: none"> ● Try again when there is power. ● Insert the power cord firmly. ● Close the door. ● Set the dry time. |

Dryer Technical Specifications

| | |
|------------------------|-----------------------|
| Model | GYJ28-88-E |
| Drying Capacity | 2.8kg |
| Voltage | 220-240V~ 60Hz |
| Rated Input | 850 W |
| Net Weight | 17kg |
| Dimensions | 495×415×585mm |

OF NOTE

PLEASE READ THE FOLLOWING CAREFULLY

THE MANUFACTURER AND/OR DISTRIBUTOR HAS PROVIDED THE PARTS LIST AND ASSEMBLY DIAGRAM IN THIS MANUAL AS A REFERENCE TOOL ONLY. NEITHER THE MANUFACTURER OR DISTRIBUTOR MAKES ANY REPRESENTATION OR WARRANTY OF ANY KIND TO THE BUYER THAT HE OR SHE IS QUALIFIED TO MAKE ANY REPAIRS TO THE PRODUCT, OR THAT HE OR SHE IS QUALIFIED TO REPLACE ANY PARTS OF THE PRODUCT. IN FACT, THE MANUFACTURER AND/OR DISTRIBUTOR EXPRESSLY STATES THAT ALL REPAIRS AND PARTS REPLACEMENTS SHOULD BE UNDERTAKEN BY CERTIFIED AND LICENSED TECHNICIANS, AND NOT BY THE BUYER. THE BUYER ASSUMES ALL RISK AND LIABILITY ARISING OUT OF HIS OR HER REPAIRS TO THE ORIGINAL PRODUCT OR REPLACEMENT PARTS THERETO, OR ARISING OUT OF HIS OR HER INSTALLATION OF REPLACEMENT PARTS THERETO.

Record Product's Serial Number Here: _____

Note: If product has no serial number, record month and year of purchase instead.

Note: Some parts are listed and shown for illustration purposes only and are not available individually as replacement parts.

Questions, problems, missing parts?



Before returning to your retailer, our exceptional customer service is here to help.

Call Us: 909.628.0880

Email Us: customer@bartonliving.com

Hours of Operation: 9am - 4pm (Monday - Friday)

PRODUCT MADE IN CHINA