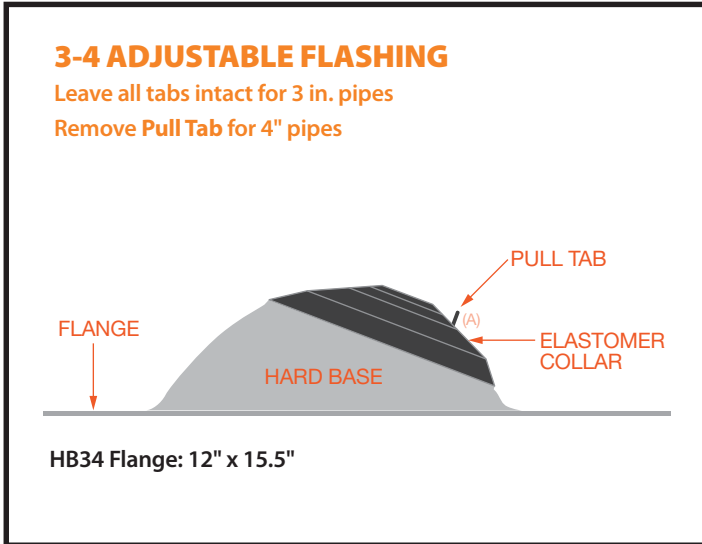
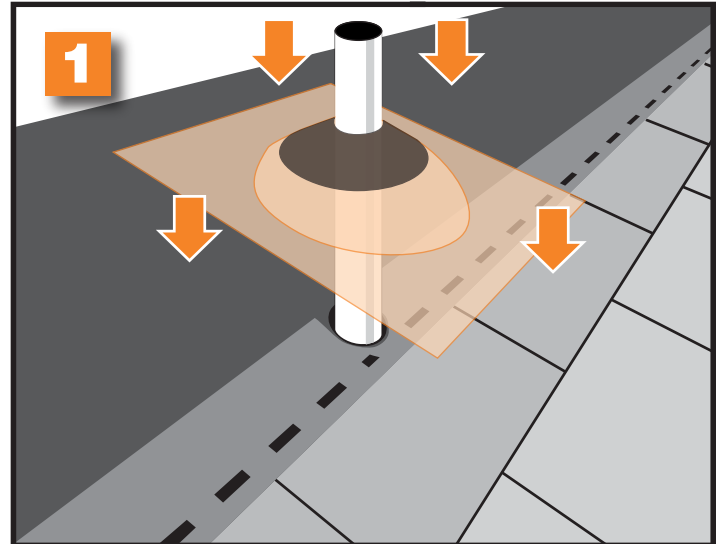


**Hard Plastic Base with Adjustable Elastomer Collar • 3 inch & 4 inch**

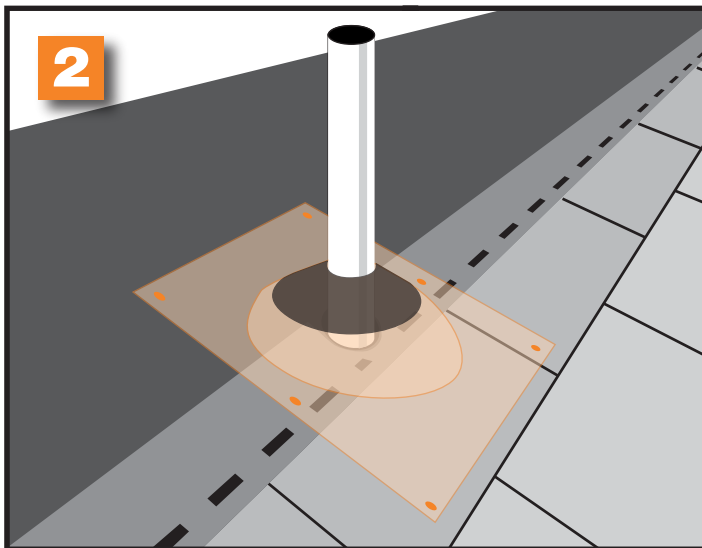
**Do not use petroleum based mastics, sealing compounds or paint on elastomer collar or hard plastic base**



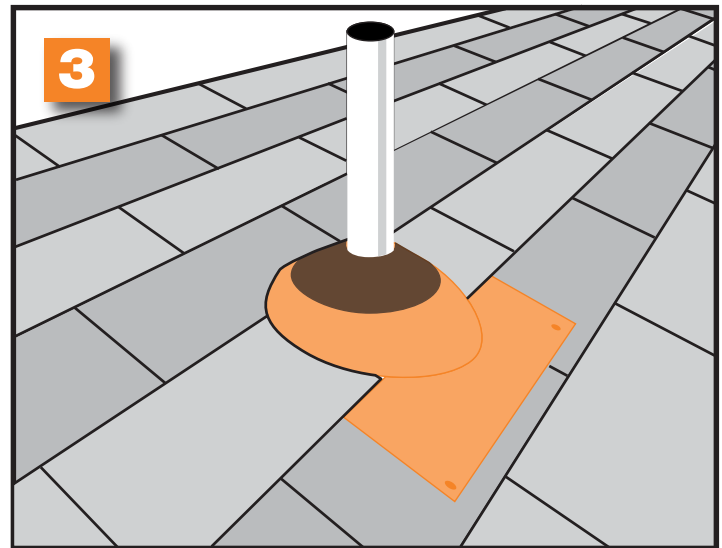
Using the pull tabs, adjust the size of the opening to fit the pipe.



1. After shingling up to the pipe, slide flashing down over pipe.



3. Secure flange with 6 roofing nails.



4. Continue shingling above the vent pipe to complete the installation. The tight neoprene seal means there's no need for any sealant at the base of the pipe.



**CAUTION!**

Working above grade is inherently dangerous, be sure that proper fall protection measures are in place. When working with power tools and sheet metal, gloves and eye protection are absolutely required.