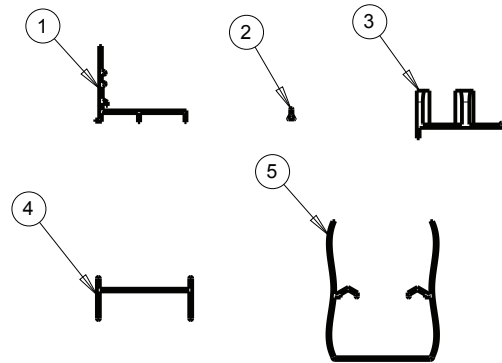
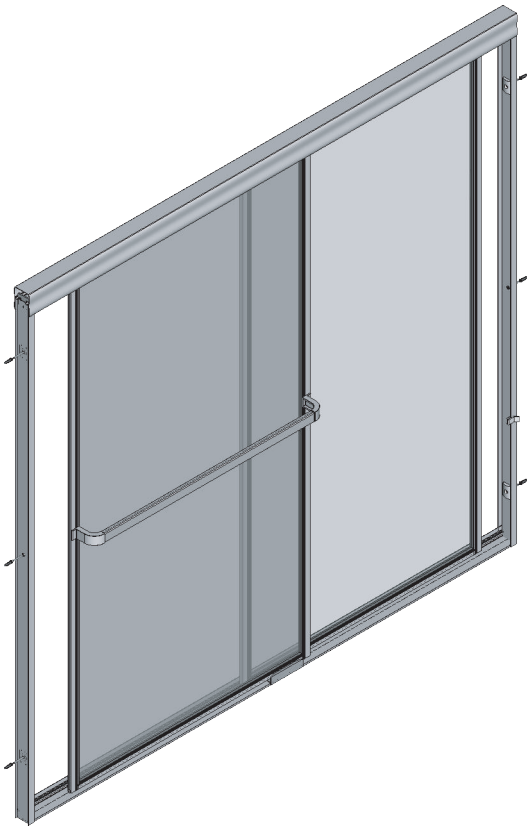
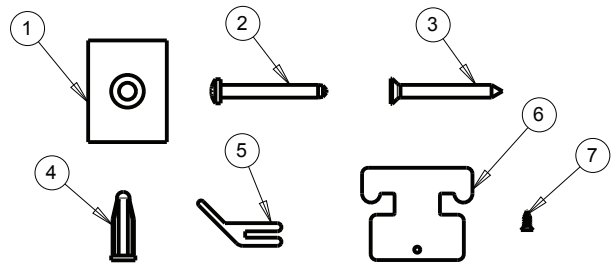


Framed Sliding Bathtub Door Kit

Framed Sliding Bathtub Track 60"



ID	DESCRIPTION	QTY	MATERIAL
1	BOTTOM TRACK	1	AL6463
2	GASKET/PANEL GLIDE STRIP	1	PVC
3	CENTER GUIDE	1	NYLON
4	WALL JAMB	2	AL6463
5	TOP TRACK/HEADER	1	AL6463



ID	DESCRIPTION	QTY	AL6463
1	WALL JAMB BUMPER	4	PVC
2	#8 X 1-1/2" PH SMS SCREW	6	STAINLESS STEEL
3	#6 X 3/8 SCREW	2	STAINLESS STEEL
4	WALL ANCHOR	6	POLYPROPYLENE
5	PANEL LOCATOR	1	POLYCARBONATE
6	T Strap	2	POLYPROPYLENE
7	#6 X 1/4" FH SCREW	1	STAINLESS STEEL

MATERIALS:

Anodized Aluminum Extrusions (Track)

INSTALLATION:

Detailed Instructions and Hardware Included for Easy Installation

UNIQUE FEATURE:

60" Framed Sliding Bathtub Kit:

Fits Doors with an opening min/max of 53-1/2" – 58-1/2", with a 56-3/4" height

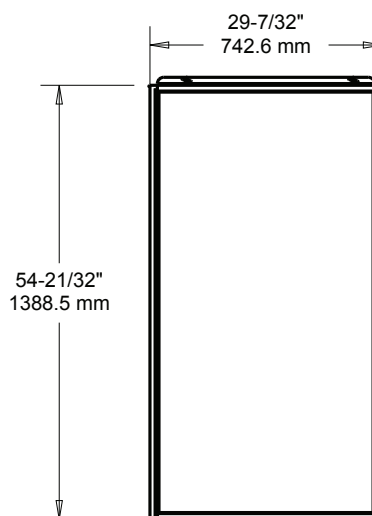
WARRANTY:

3 Year Limited Warranty

FranklinBrass®

Framed Sliding Bathtub Door Kit

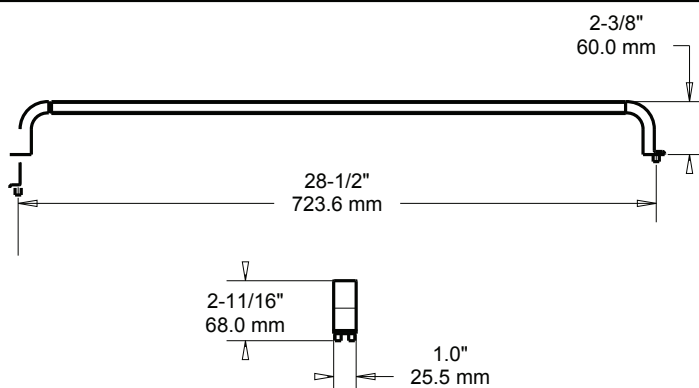
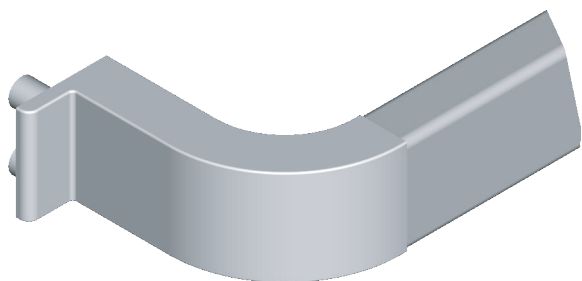
Framed Sliding Bathtub Glass Panels



MATERIALS:	5/32" (4 mm) Tempered Glass Panels with pre-assembled Anodized Aluminum frame
INSTALLATION:	Detailed Instructions and Hardware Included for Easy Installation
UNIQUE FEATURE:	60" Framed Sliding Bathtub Kits: Fits Doors with an opening min/max of 53-1/2" – 58-1/2", with a 56-3/4" height
WARRANTY:	3 Year Limited Warranty

Framed Sliding Bathtub Door Kit

Framed Sliding Bathtub Handle



MATERIALS:	Plastic posts, Aluminum Bar
INSTALLATION:	Detailed Instructions and Hardware Included for Easy Installation
WARRANTY:	3 Year Limited Warranty

FranklinBrass®