

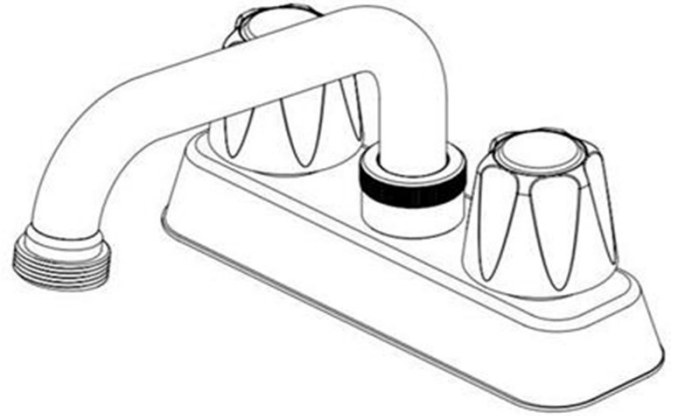
DESCRIPTION:

- Two handle laundry tray faucet

MODEL	COLOUR
16-U42-WNCH-B	Chrome

STANDARDS & CERTIFICATIONS:

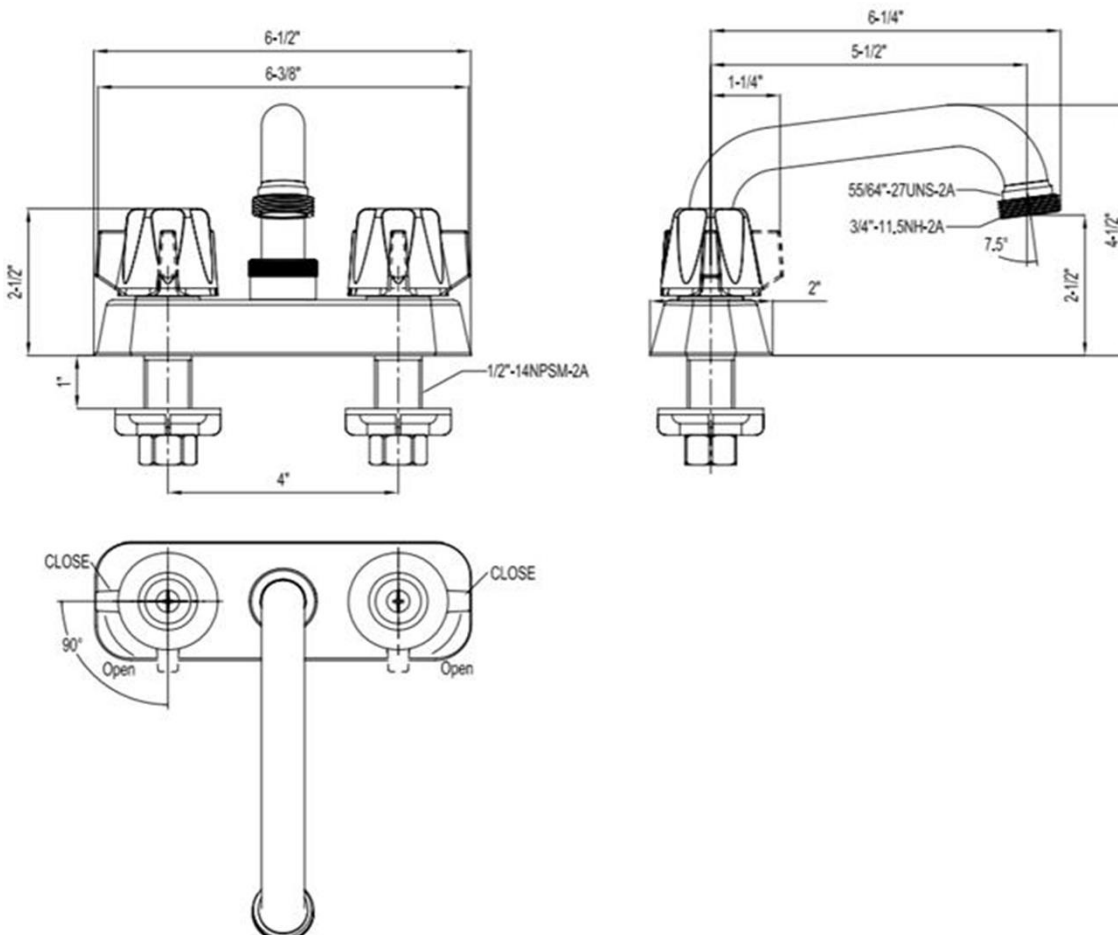
- ASME A112.18.1/CSA B125 Certified
- cUPC, NSF 61, Watersense, AB1953,
- Max. Flow Rate: 2.2 GPM (8.3 LPM)



FEATURES:

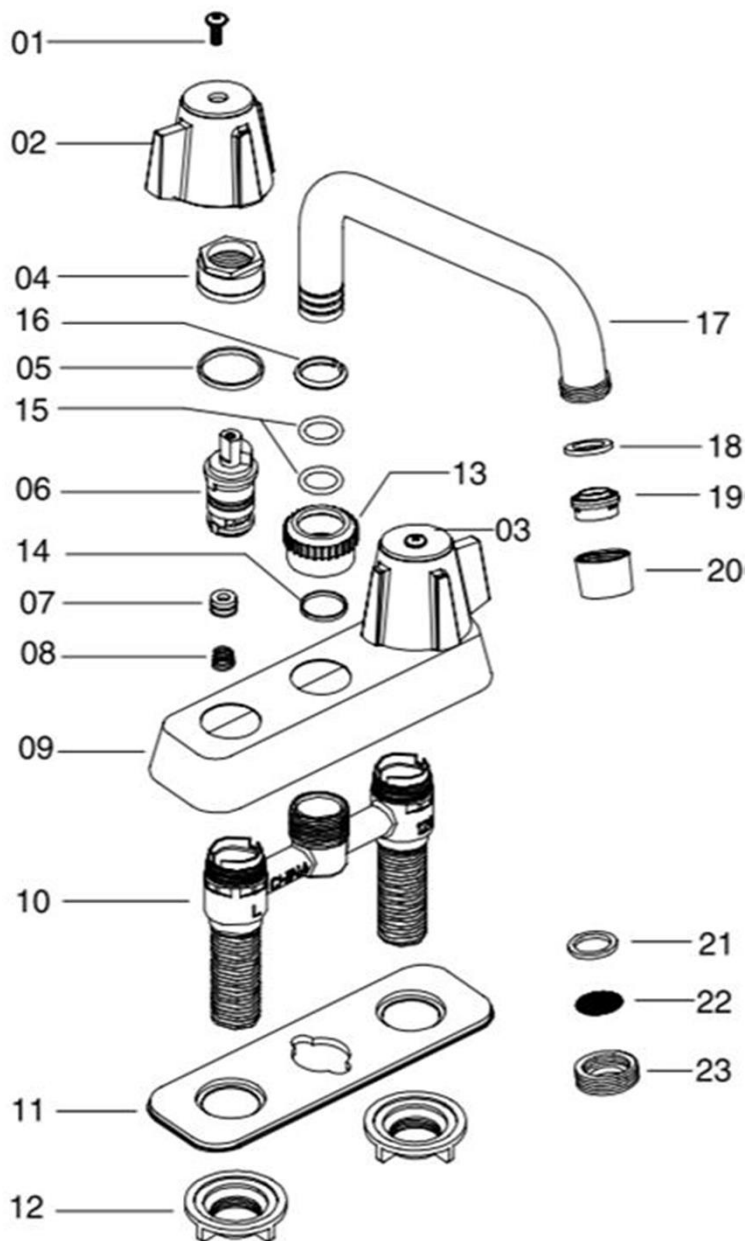
- 4" centerset
- 2 metal handle
- Brass waterway and hose connector
- 1/4-turn washerless cartridge
- Backed by Homewerks limited lifetime warranty

ROUGH-IN:



BOM

No.	Part Description	Material
1	Screw	S.S.304
2	Handle - H	ZZnA14 (C.P.)
3	Handle - C	ZZnA14 (C.P.)
4	Bonnet	Zinc Alloy EZDA 3# (C.P.)
5	Washer	POM M90
6	Cartridge	POM M90+C37700+SUS302/304
7	Washer	NBR N-583
8	Spring	SUS302/304
9	Escutcheon	ABS
10	Body	Brass
11	Base plate	PP+30%C
12	Mounting nut	ABS PA727
13	Locking nut	Zinc Alloy EZDA 3# (C.P.)
14	Washer	POM M90
15	O-ring	NBR N7008F
16	Spout ring	POM M90
17	Spout	Brass C27000 (C.P.)
18	Aerator assembly	EPDM E7008F
19		POM M90+S.S.
20		Brass C37700 (C.P.)
21	Hose Connector assembly	EPDM E7008F
22		S.S. 304
23		Brass C37700 (C.P.)



Homewerks product dimensions provided in US or Metric measurements are approximate and are provided for reference only, Homewerks reserves the right to change or modify product design, construction, specifications, or materials without prior notice and without incurring any obligation to make such changes and modifications on Homewerks products previously or subsequently sold.

