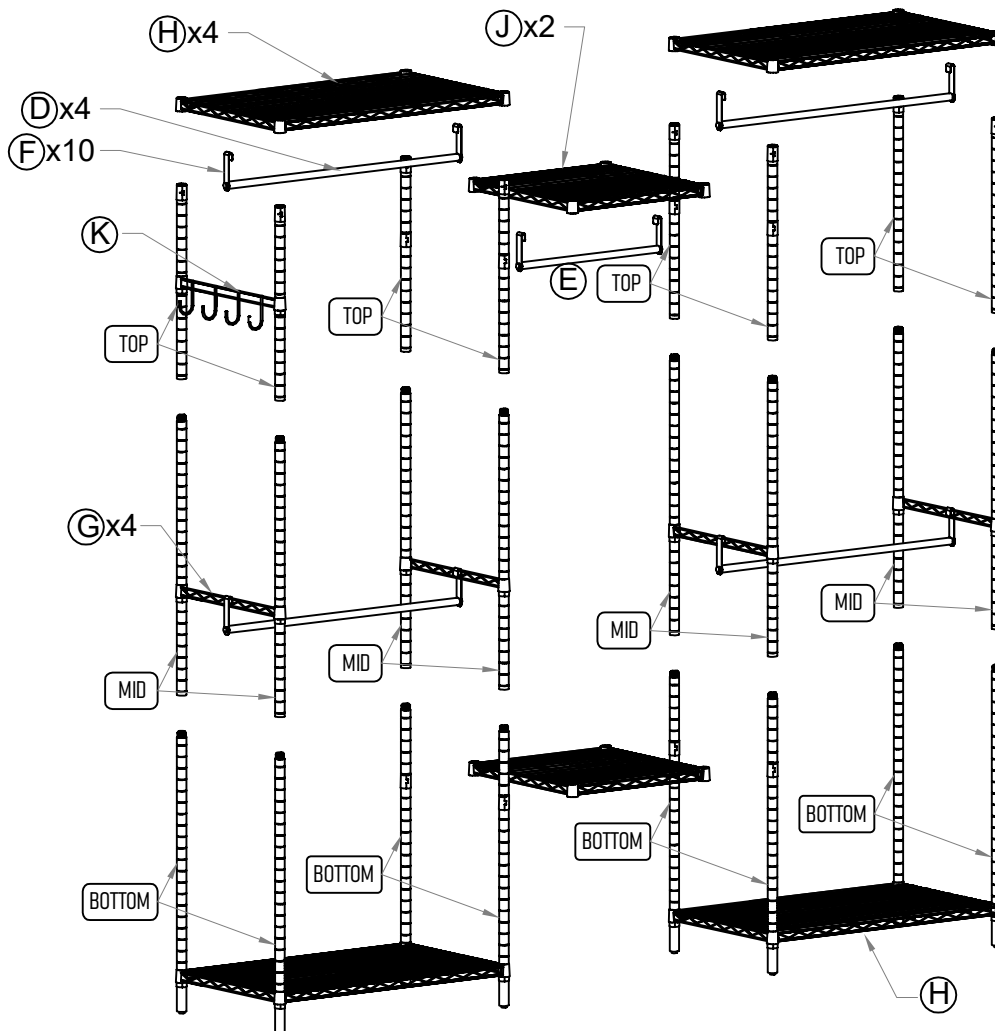


Part Nr.	Qty
BOTTOM	8pcs
MID	8pcs
TOP	8pcs
D	4pcs
E	1pcs
F	10pcs
G	4pcs
H	4pcs
J	2pcs
K	1pcs



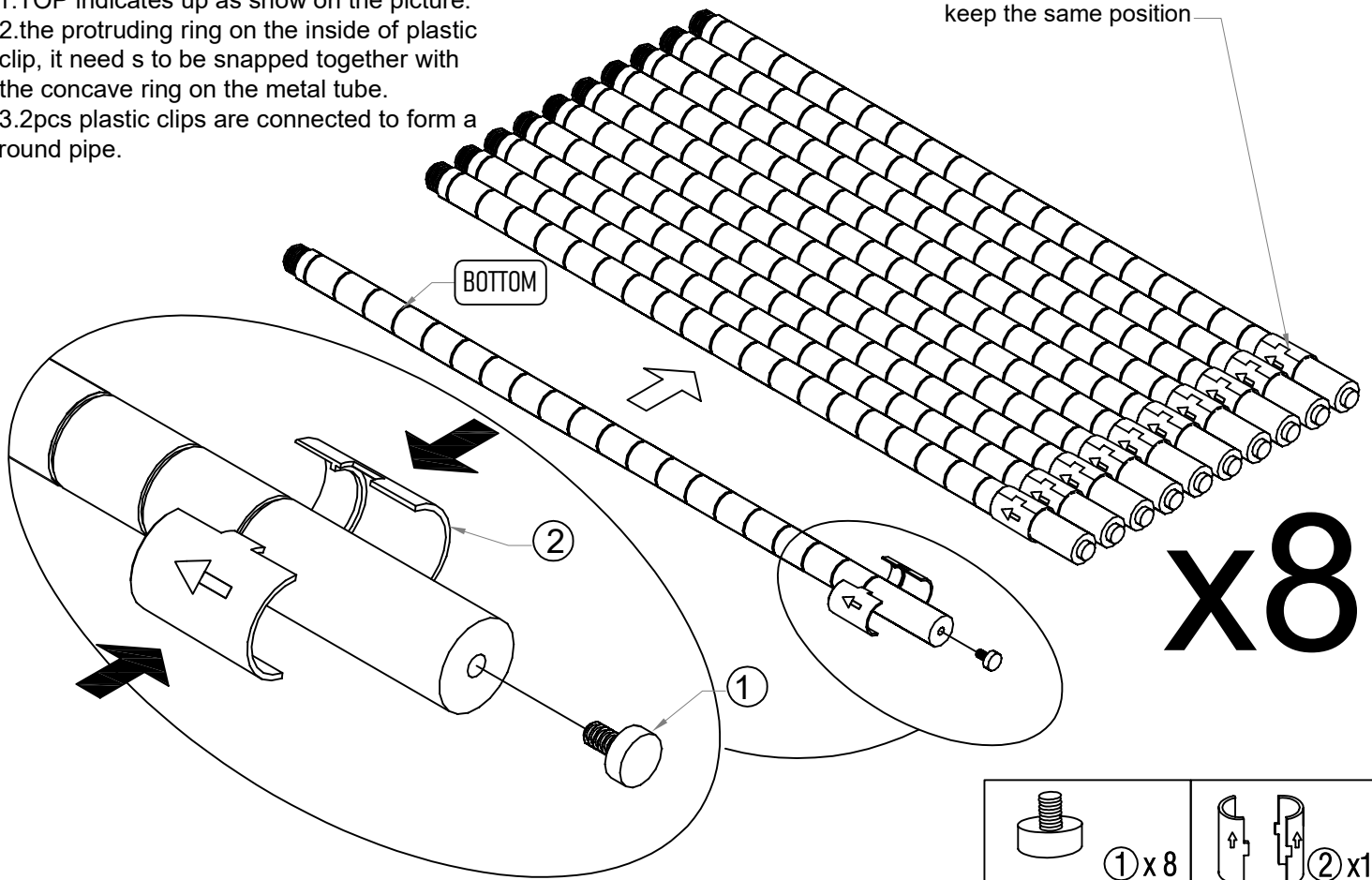
Hardware Nr.

① x 18	
② x 68	
③ x 2	
④ x 2	
⑤ x 1	
⑥ x 1	

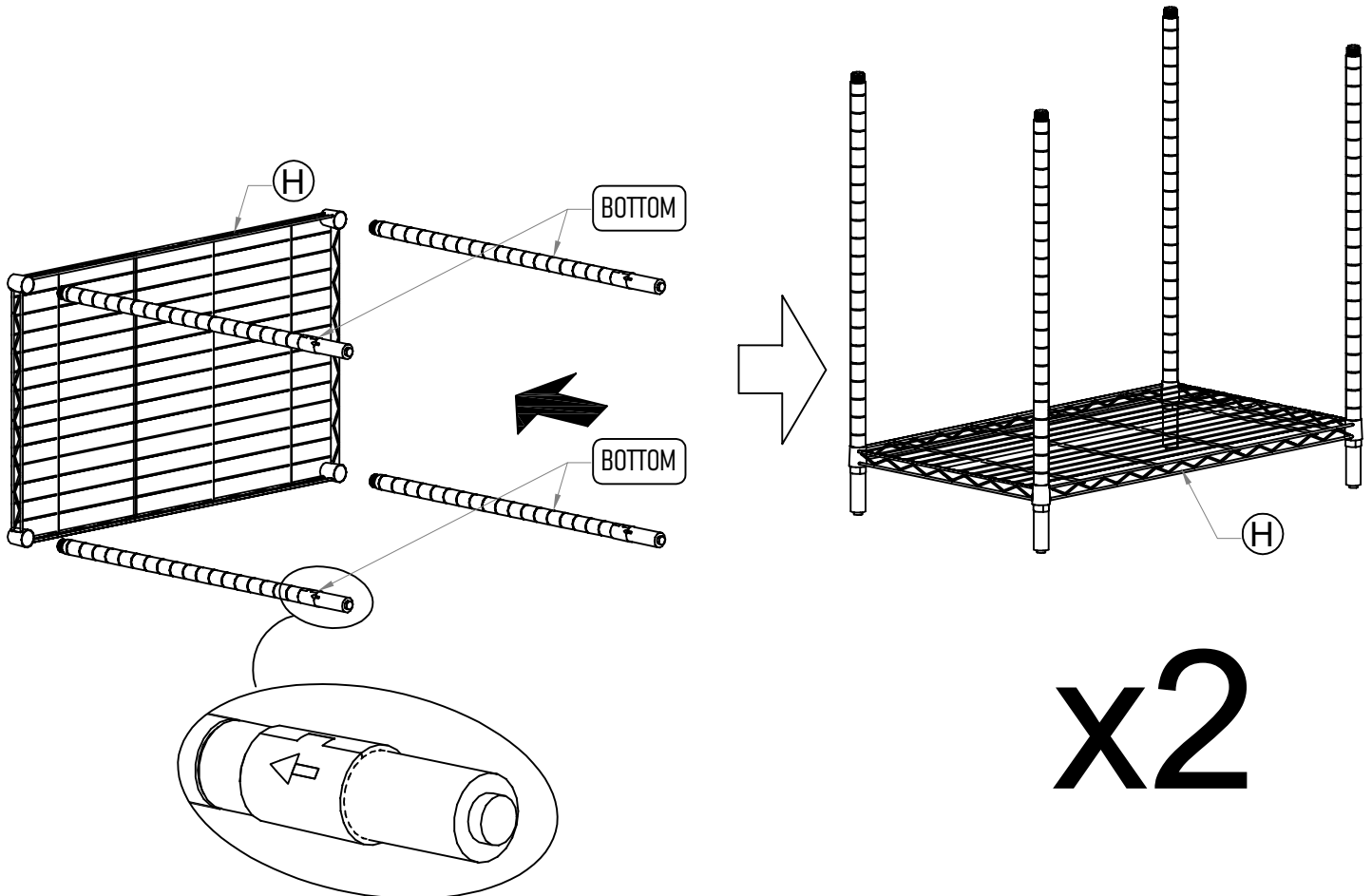
Step 1

- 1.TOP indicates up as show on the picture.
- 2.the protruding ring on the inside of plastic clip, it need s to be snapped together with the concave ring on the metal tube.
- 3.2pcs plastic clips are connected to form a round pipe.

The height of all plastic clip
keep the same position



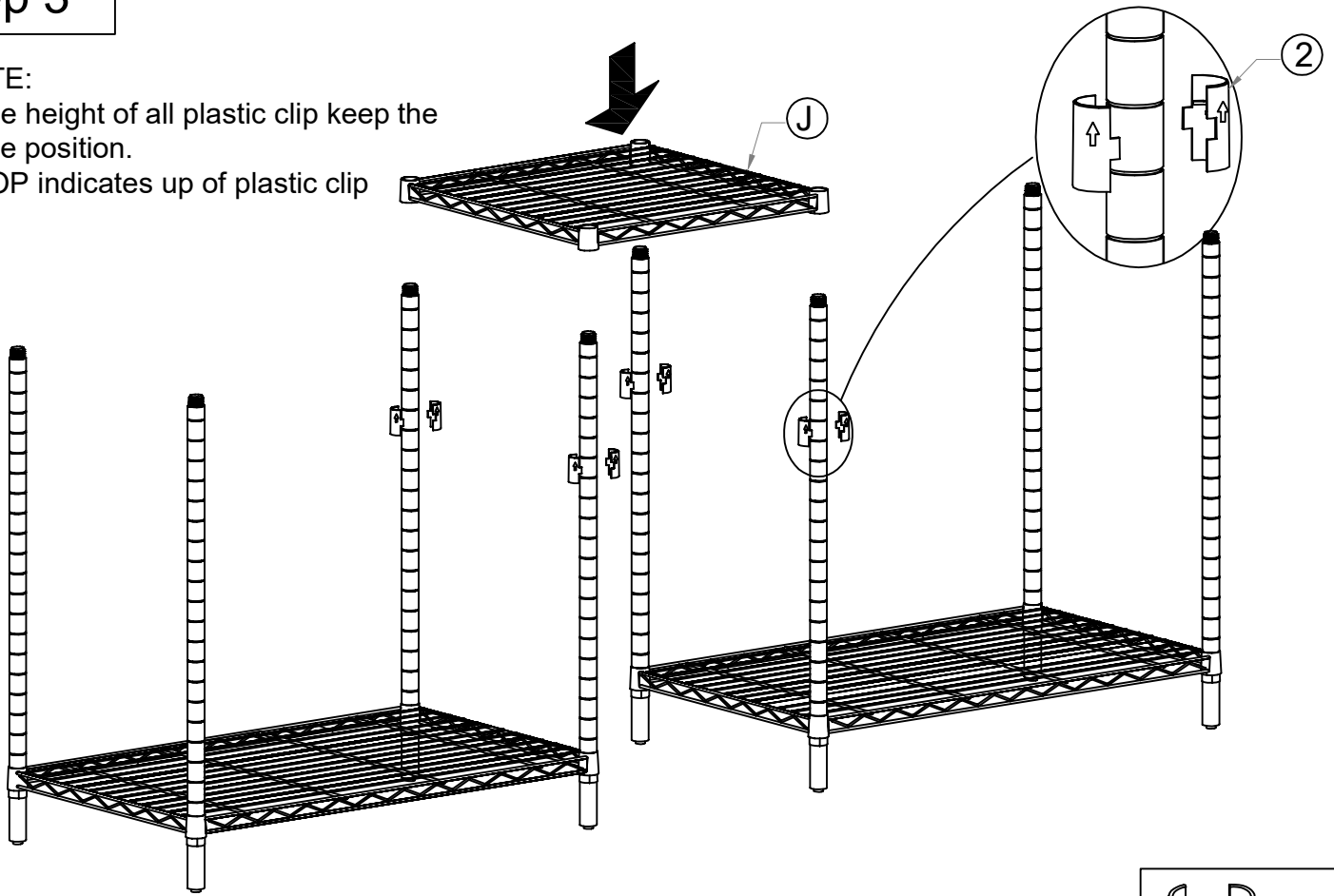
Step 2



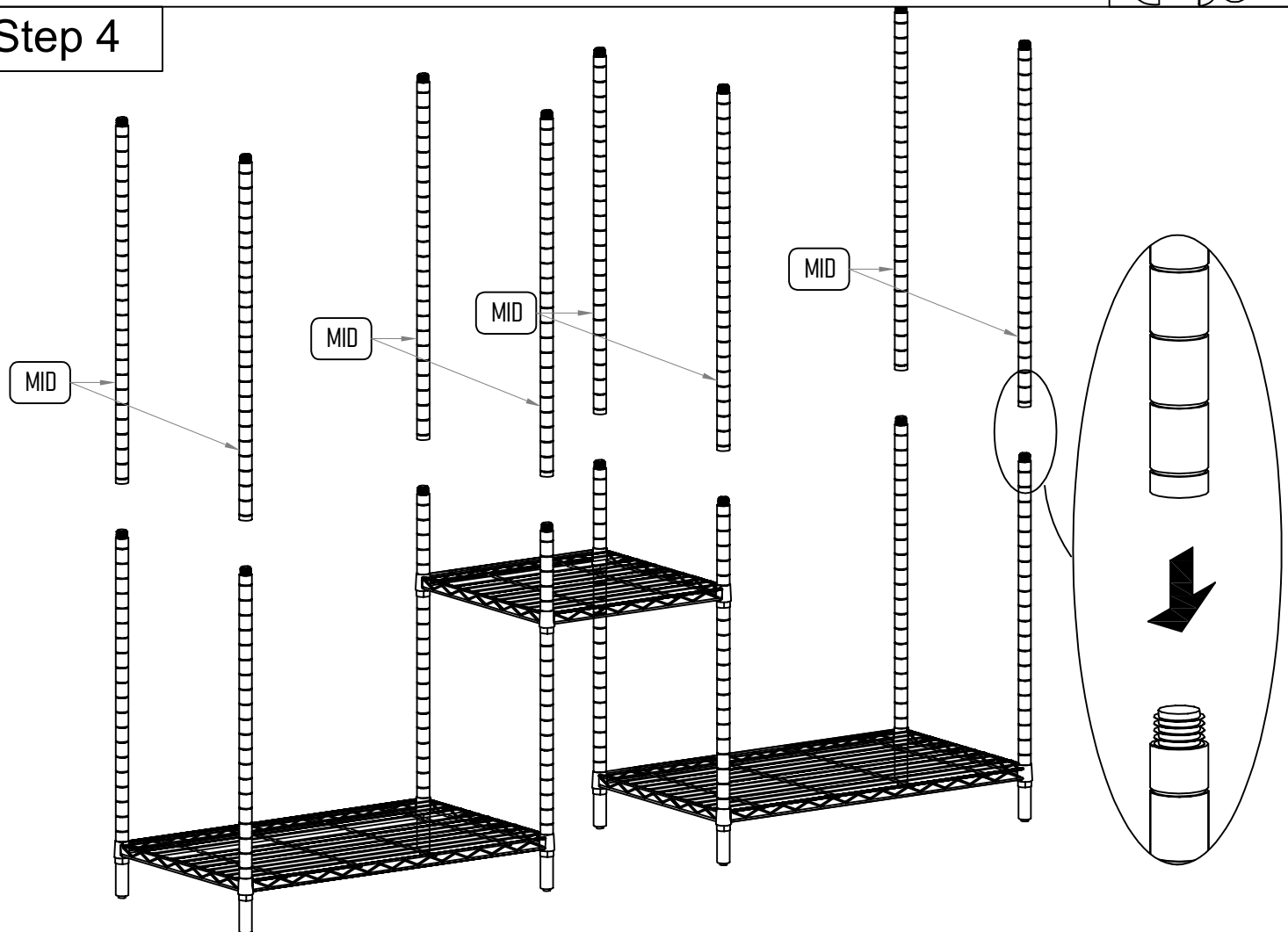
Step 3

NOTE:

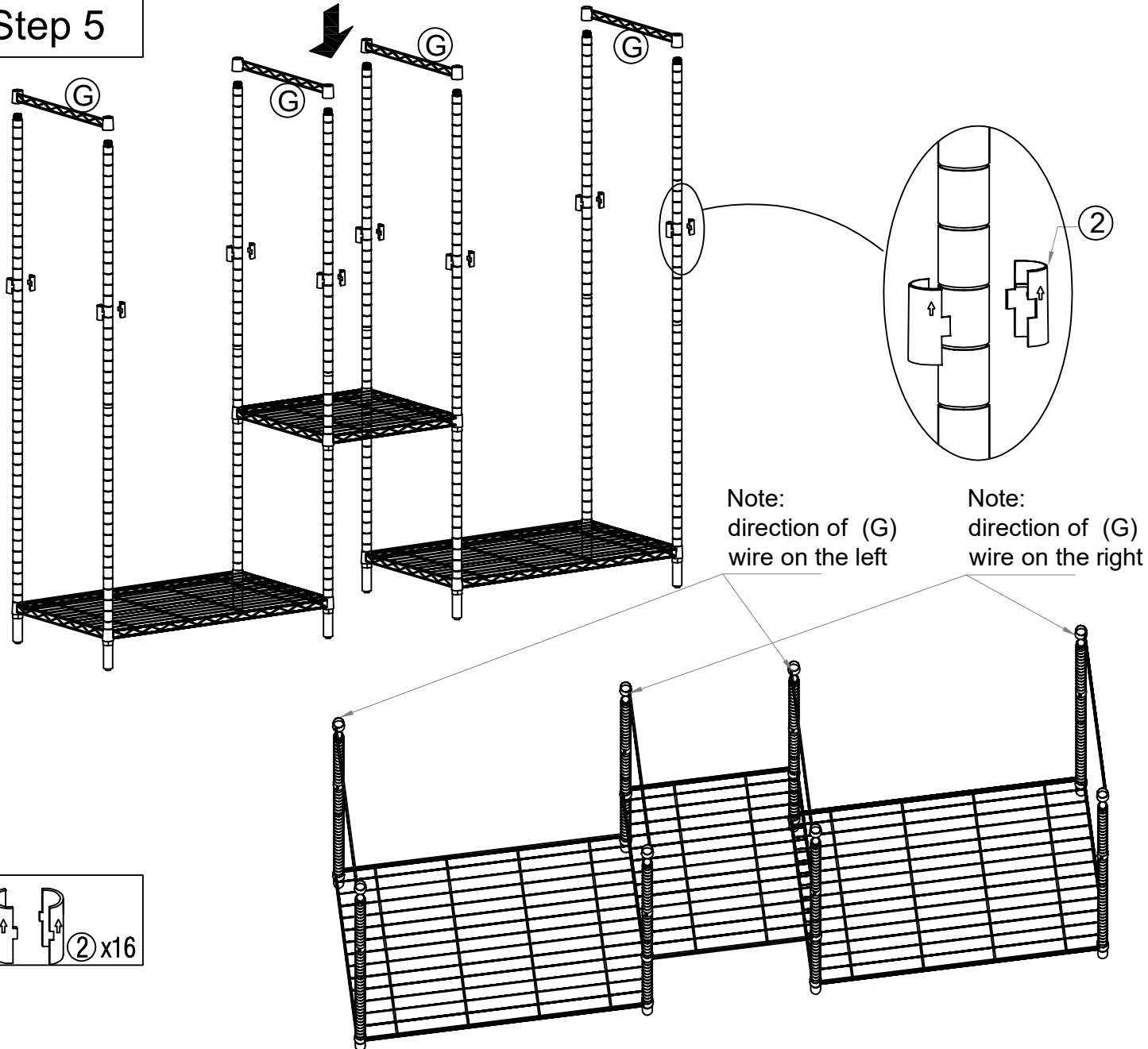
- 1. The height of all plastic clip keep the same position.
- 2. TOP indicates up of plastic clip



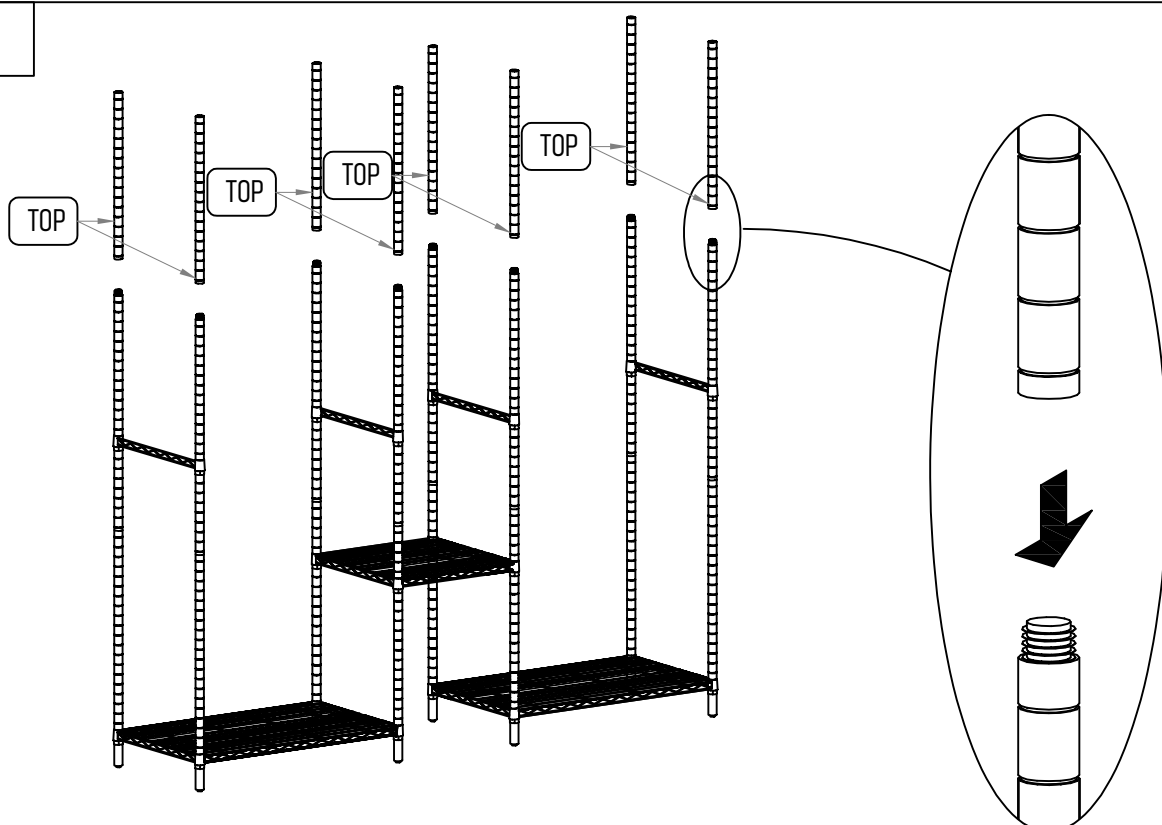
Step 4



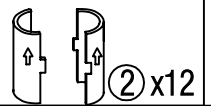
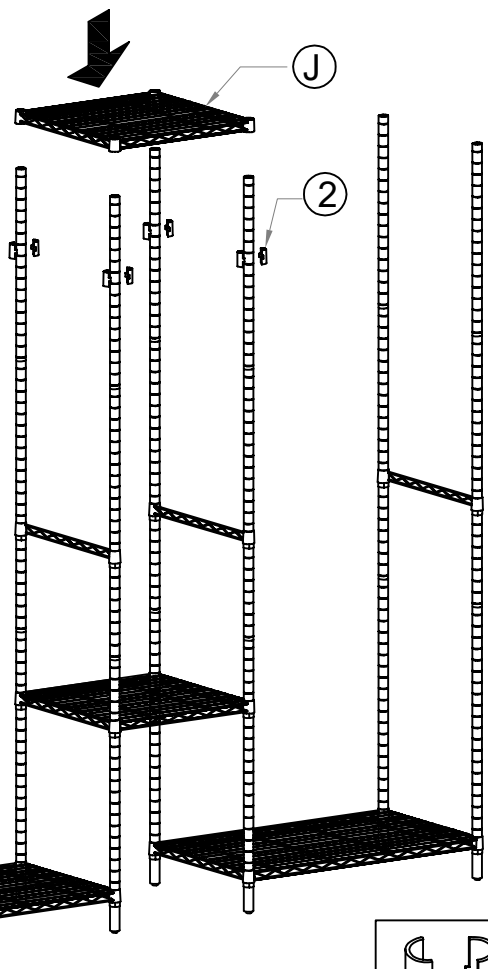
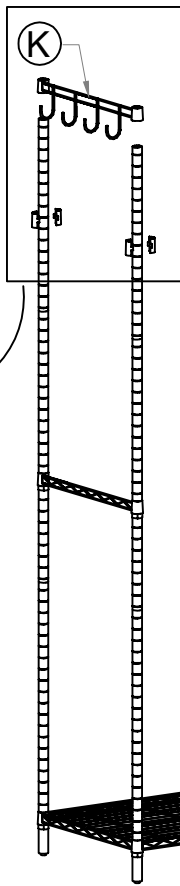
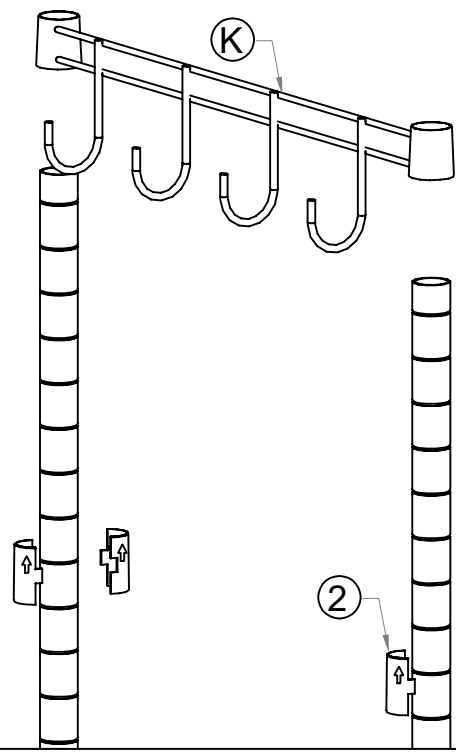
Step 5



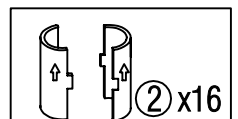
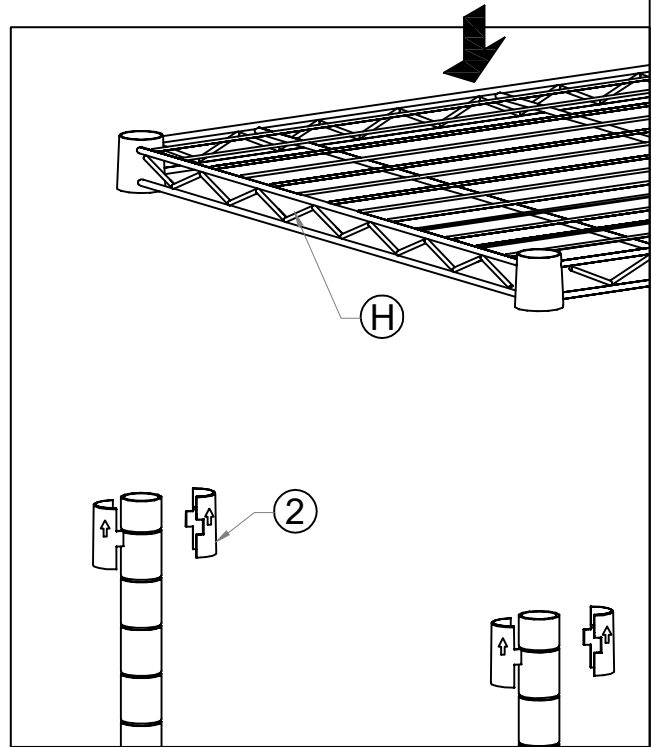
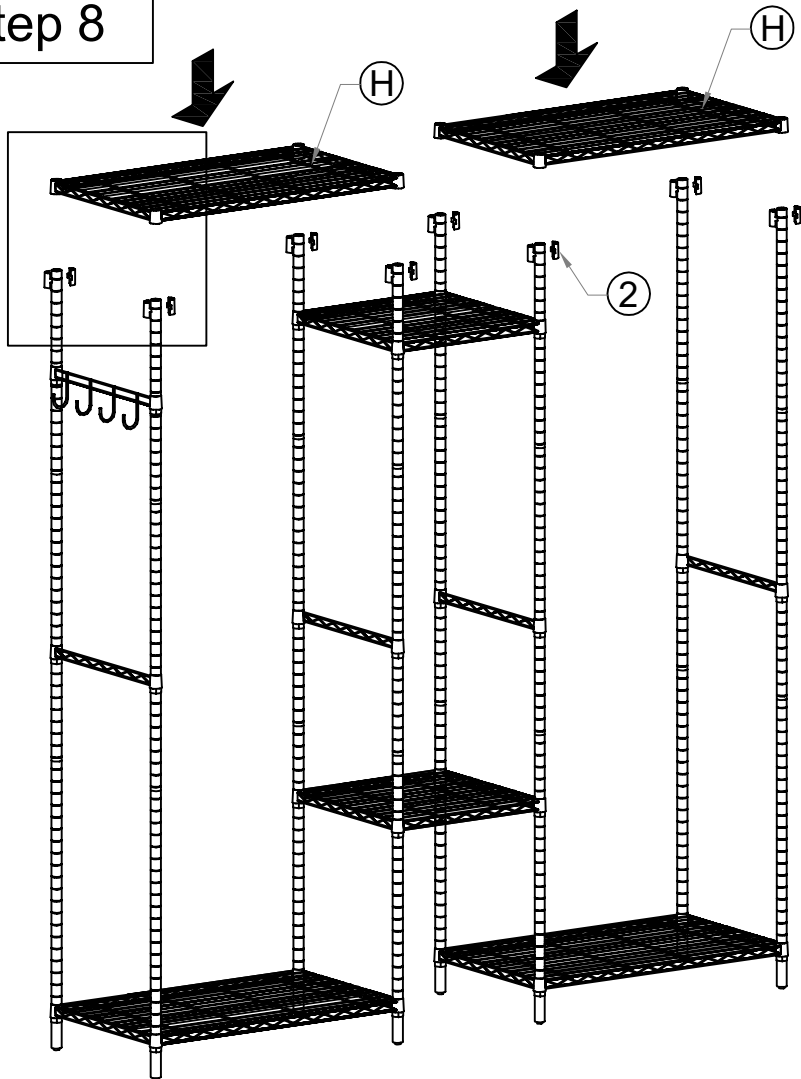
Step 6



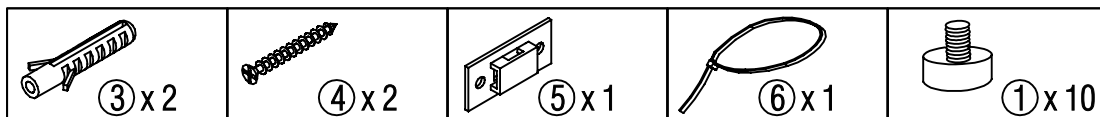
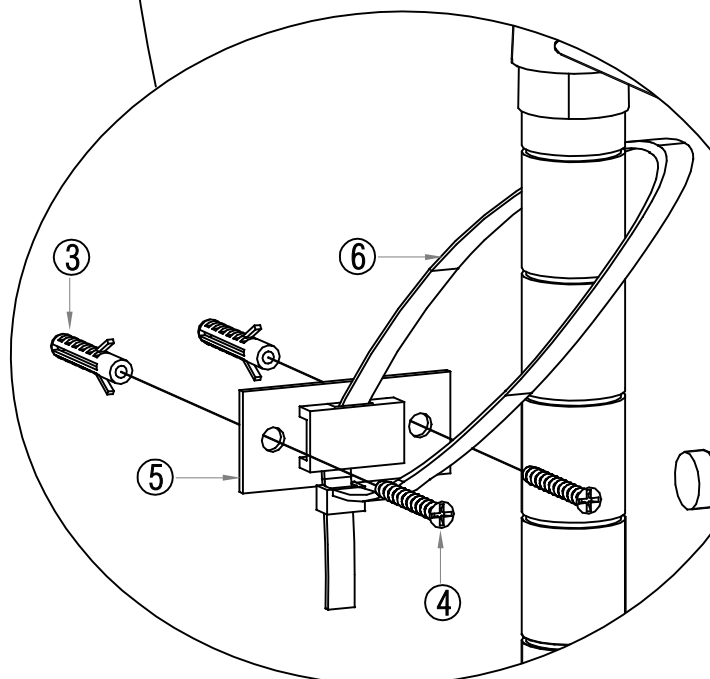
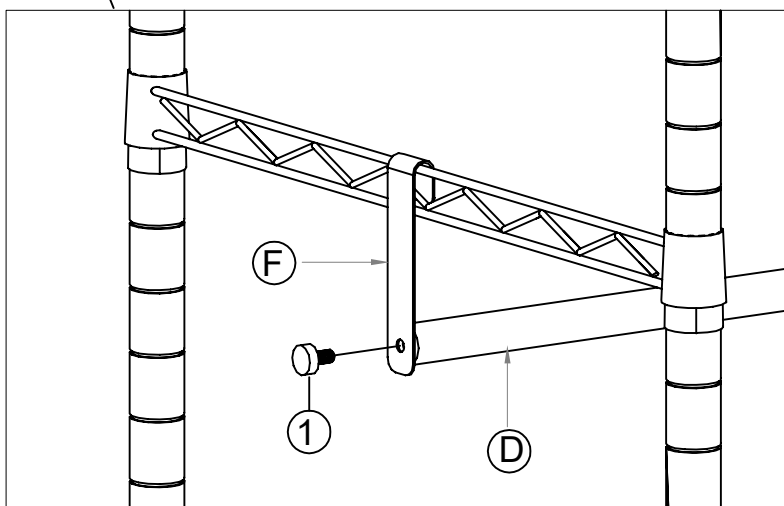
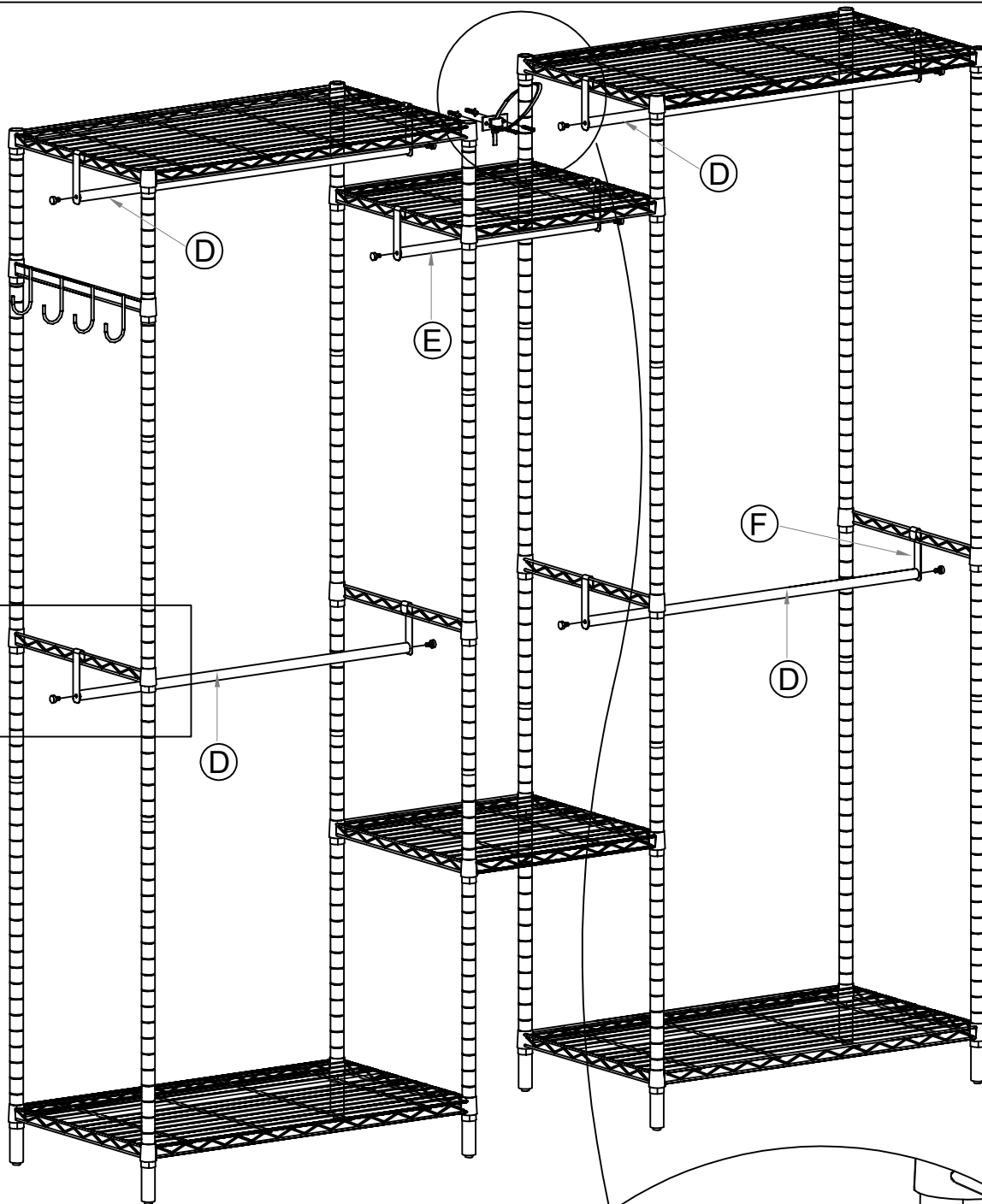
Step 7



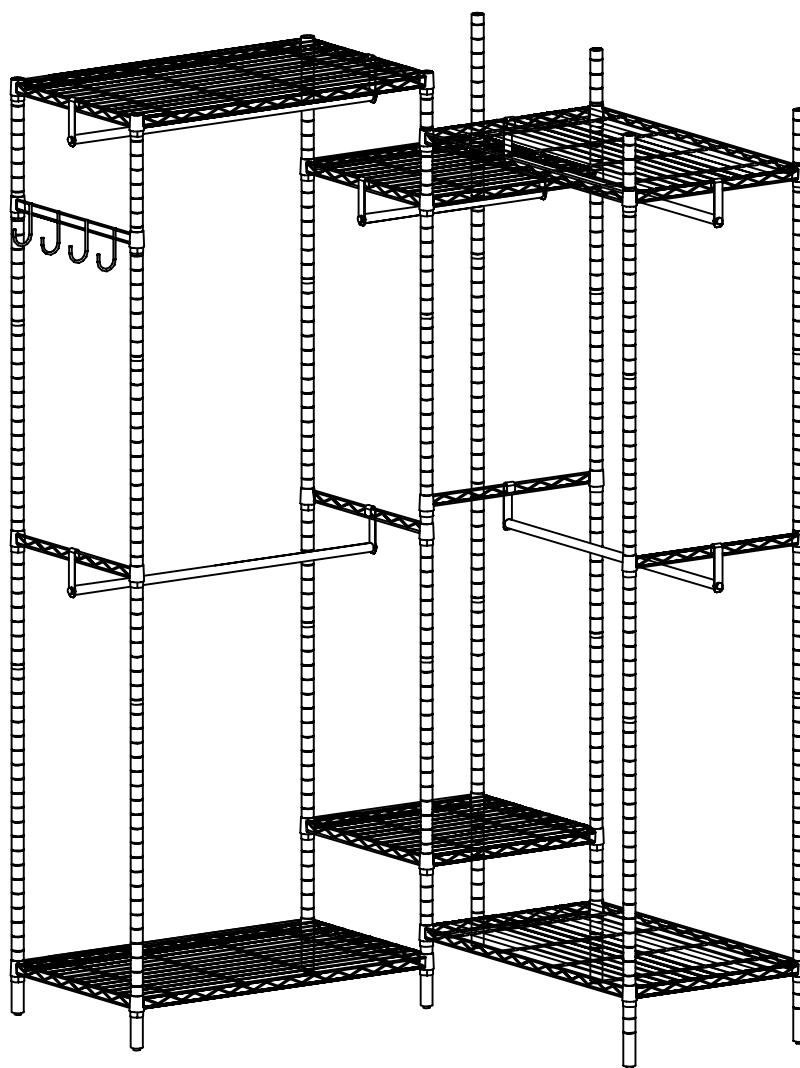
Step 8



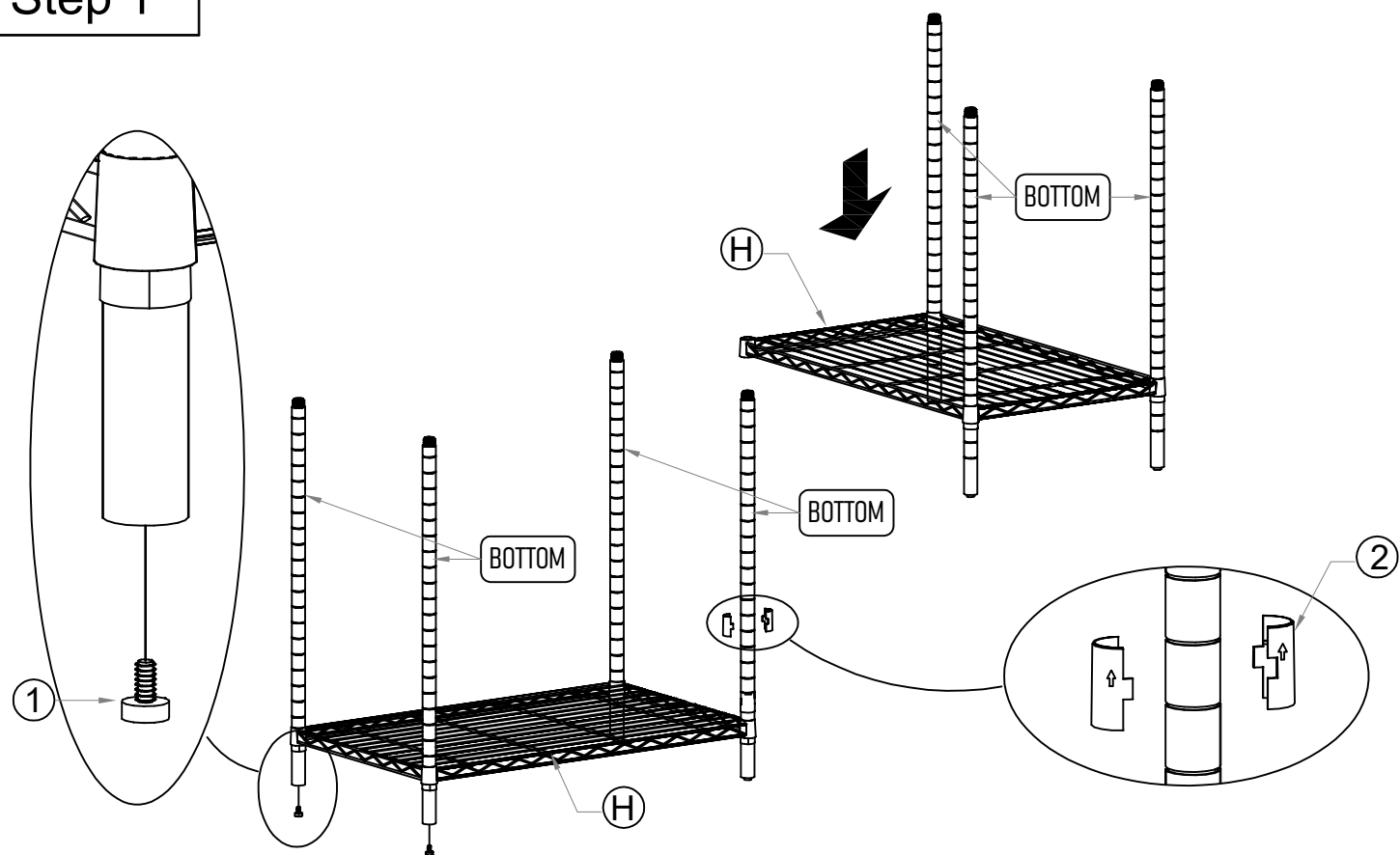
Step 9



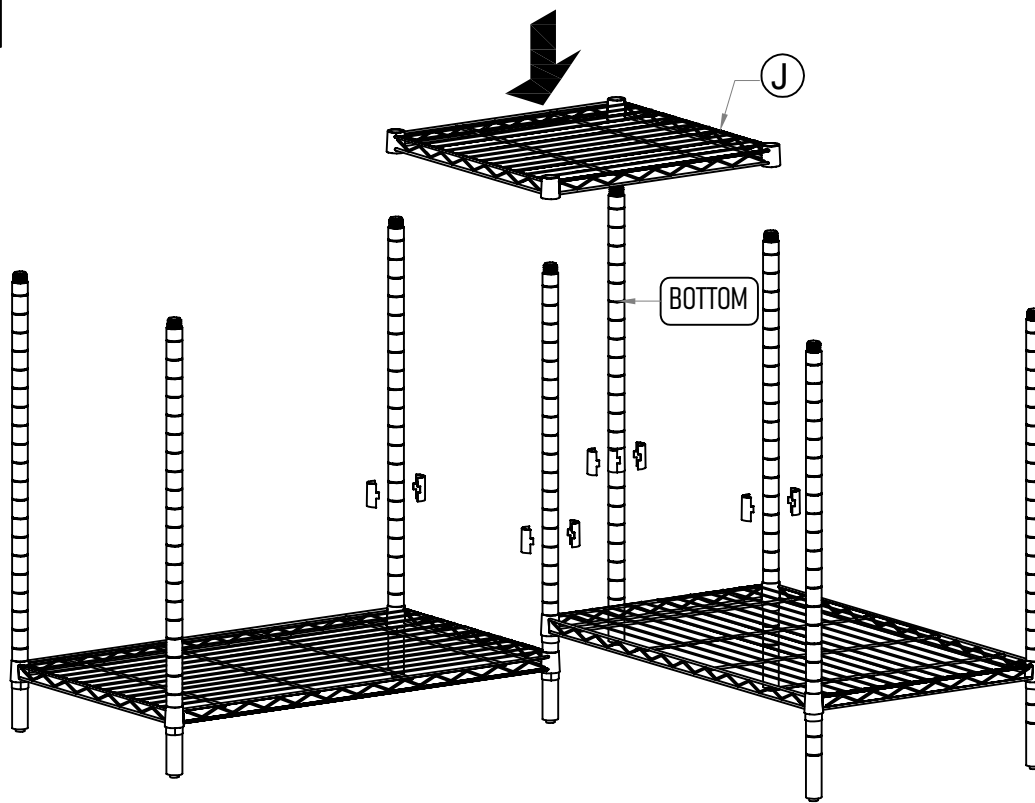
Assembly option for L corner shape



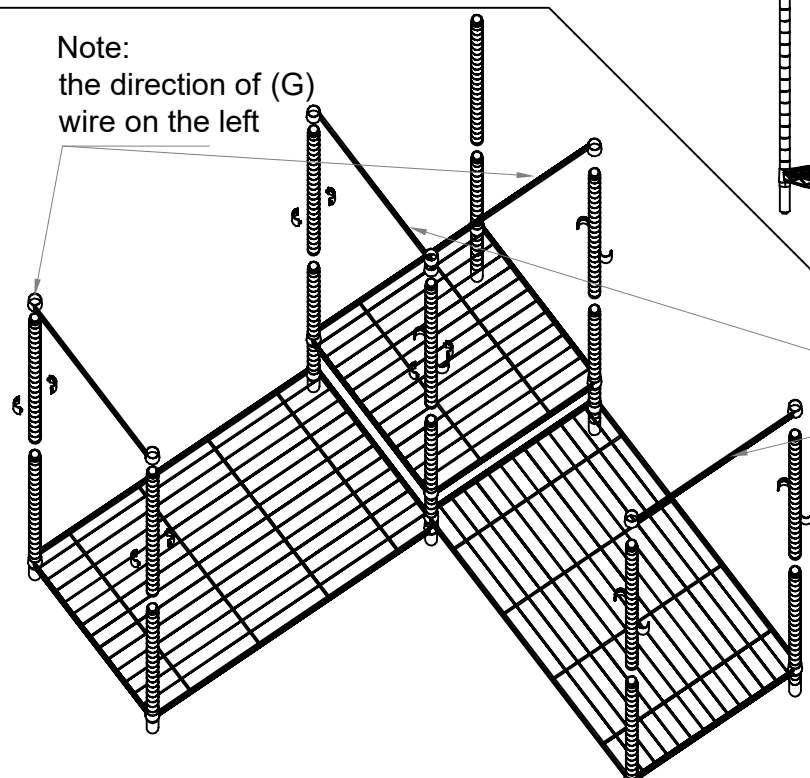
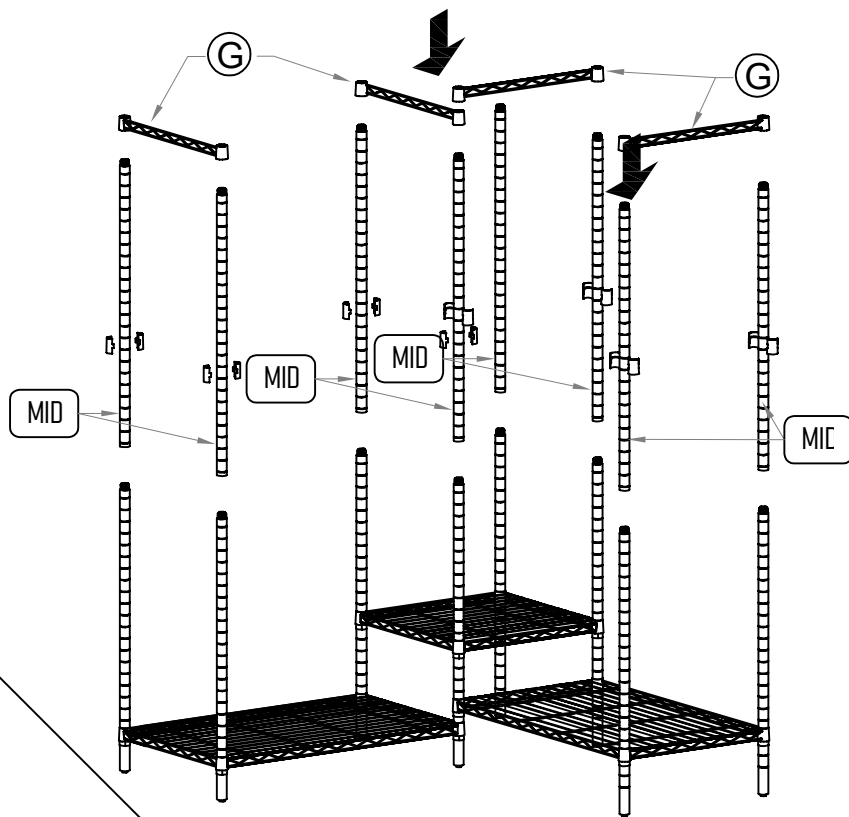
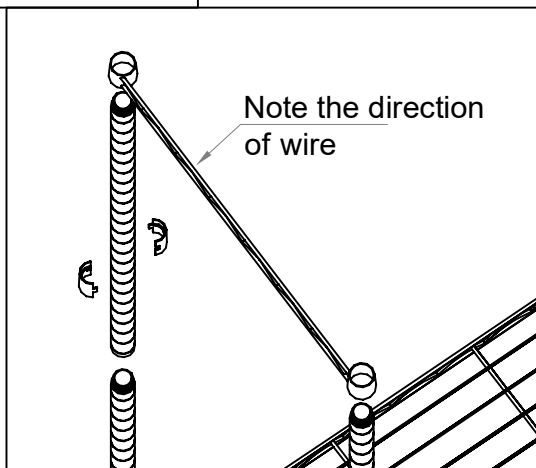
Step 1



Step 2

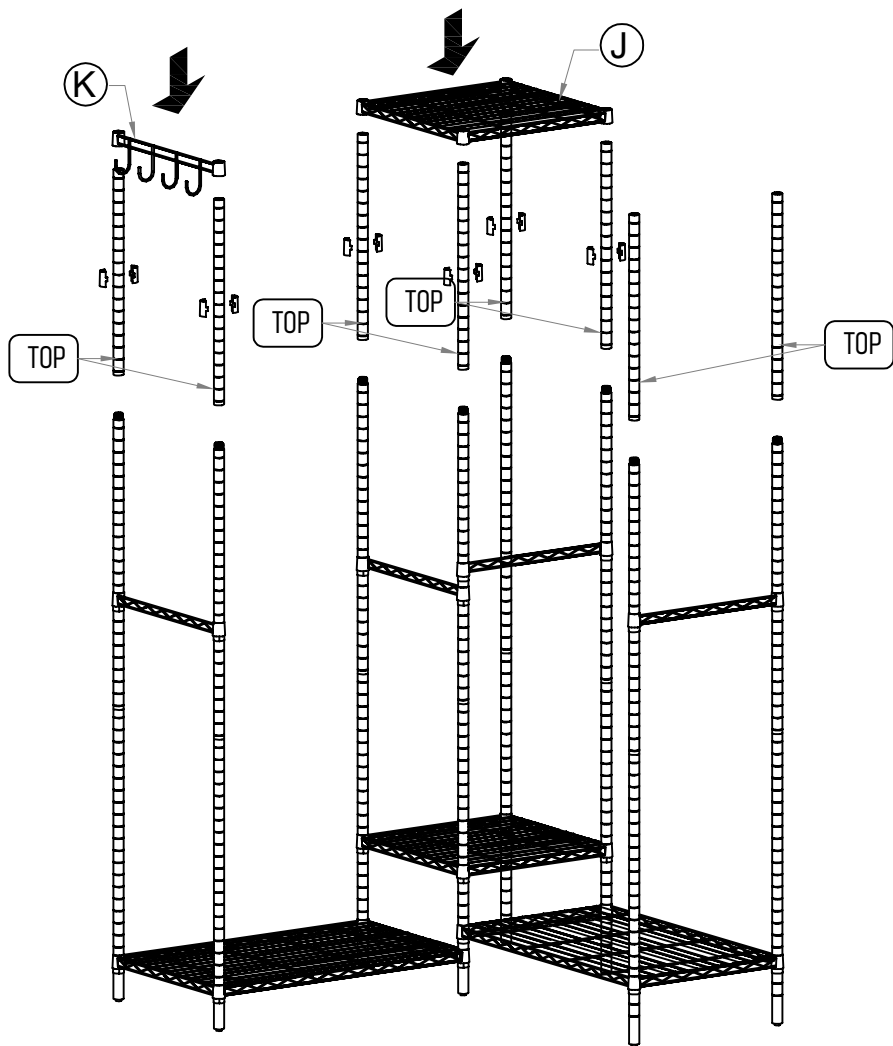


Step 3

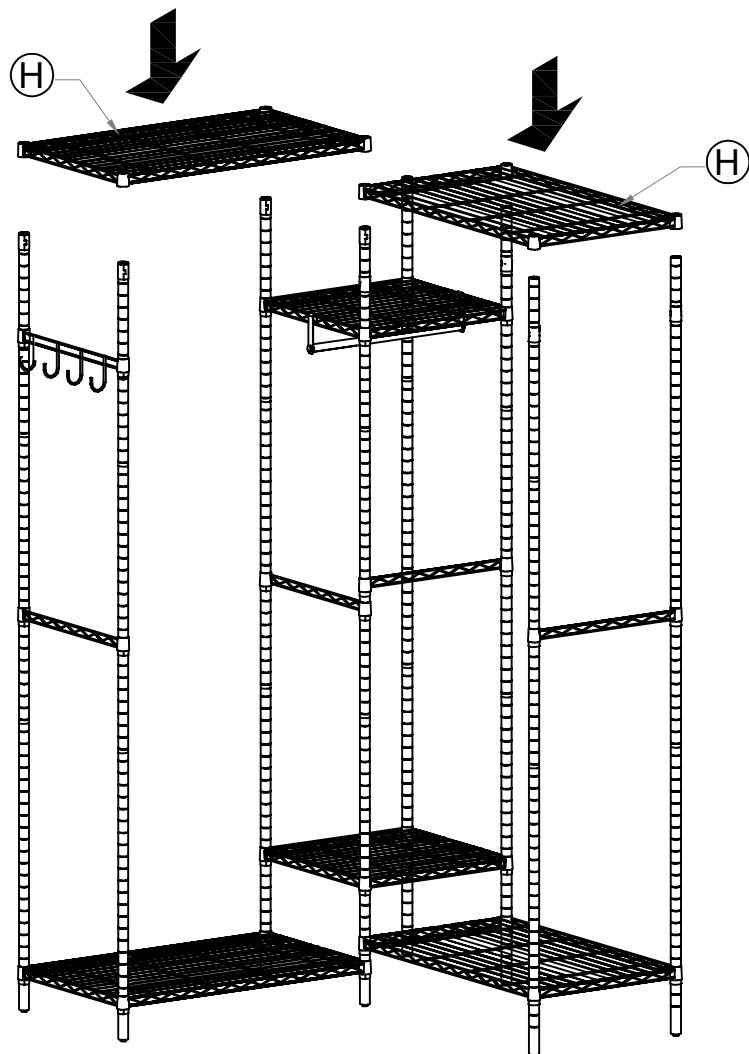


Note: the direction of (G) wire on the right

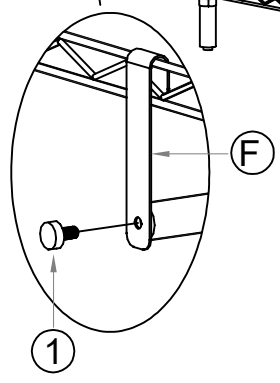
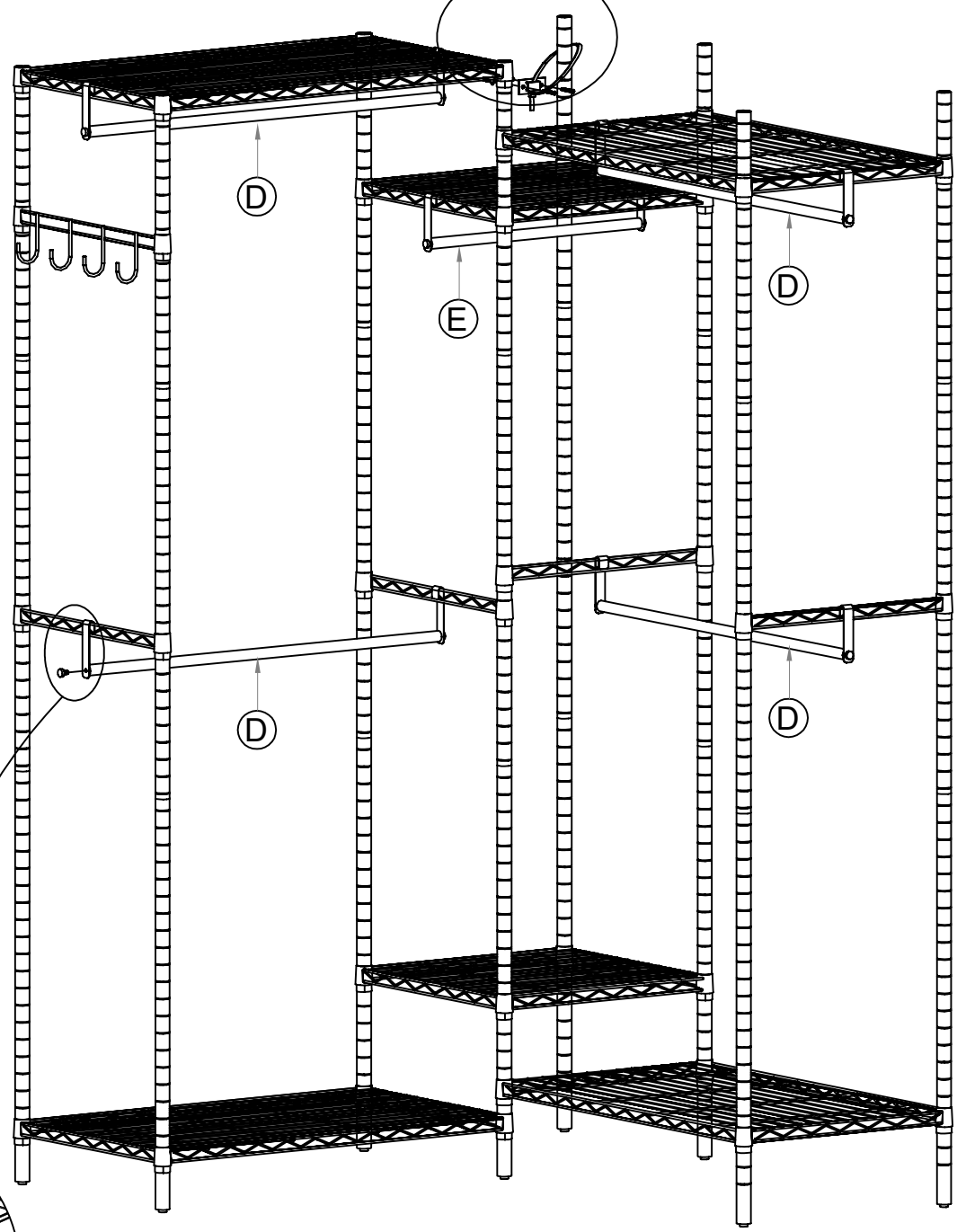
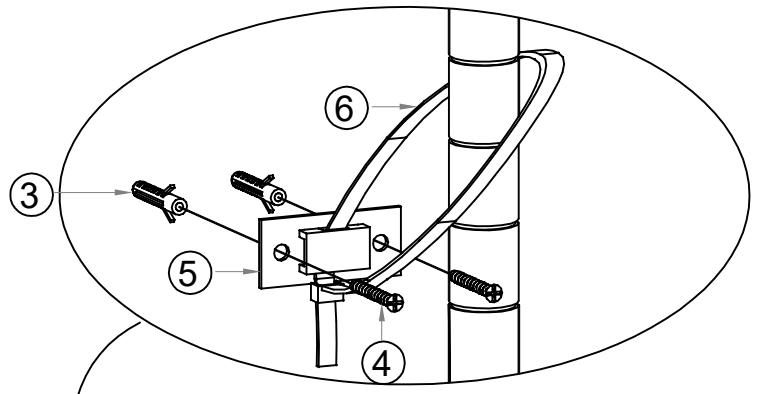
Step 4



Step 5



Step 6



Dear customer, thank you for purchasing Idealhouse products! We are proud to present our customers with high quality products!



If you have any product quality or using problems, please contact our customer service by email, we will ensure your satisfaction.



If you are satisfied with our products, please share your amazing experience with us and other customers! It would be our honor to hear from you!



Customer Service Team: support@idealhouse.vip

NOTE:

There is a gap between the 2 plastic clips assembled onto the poles; this is a structural design than a quality issue, which aims to blind the shelves firmly onto the poles.