

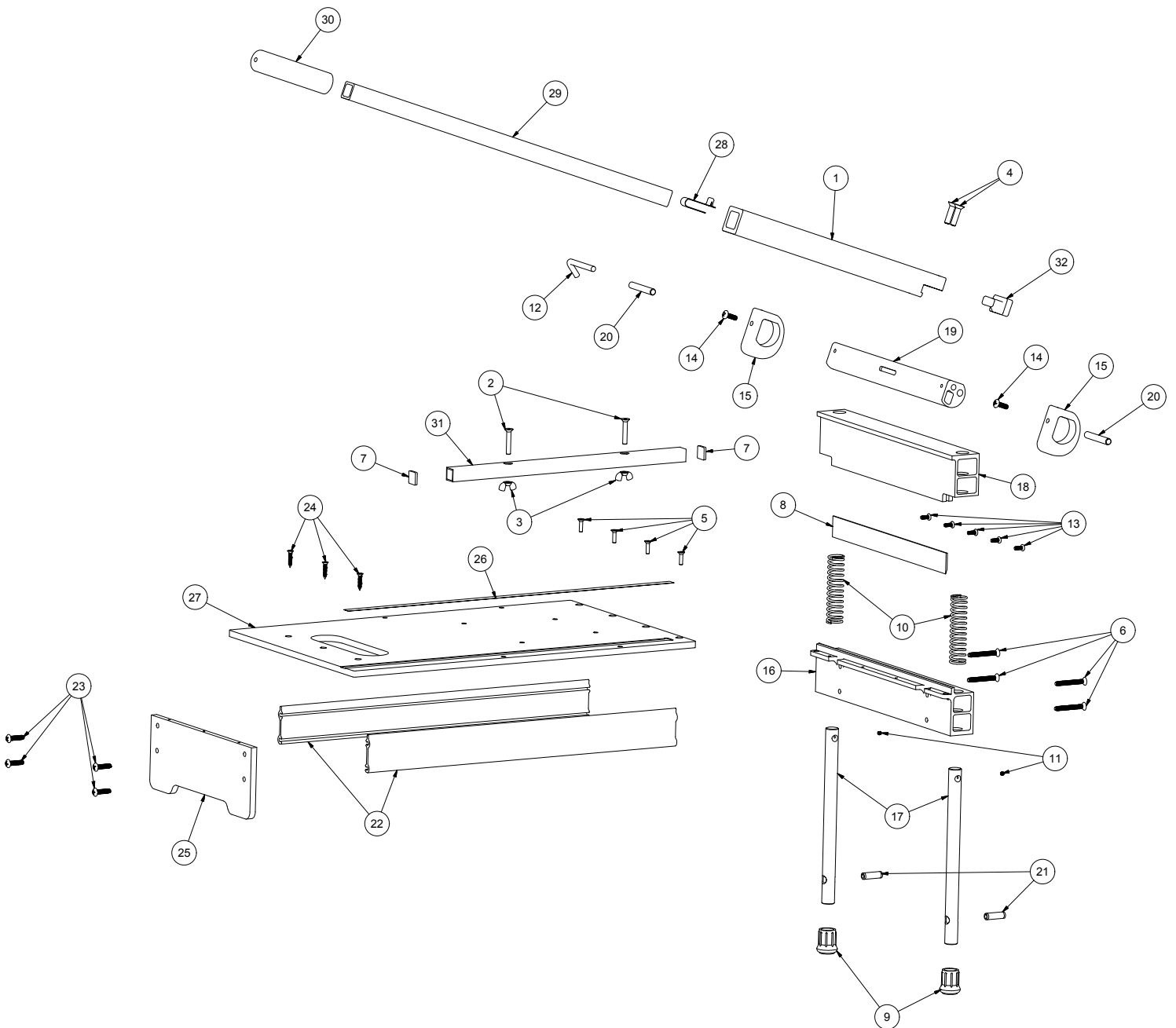
CUTTING GUIDE

The MARSHALLTOWN Flooring Shear is designed to cut a variety of materials. Some of the most common materials are laminate flooring, engineered hardwood, luxury vinyl tile, luxury vinyl plank, vinyl composite tile, fiber cement board siding, and more.

Note: DO NOT attempt to cut any solid wood, high pressure laminate, or engineered hardwood with a Janka Hardness Rating higher than 1300.

Note: Even the approved materials may vary greatly in density and hardness. If extreme force is required to cut a material stop immediately, as it could lead to damage to your shear or injury. Attempting to cut unapproved materials will void the warranty.

PARTS BREAKDOWN



PARTS BREAKDOWN

REF #	DESCRIPTION	PART#	Quantity
1	HANDLE BASE	R4529	1
2	#3 PHILLIPS FLAT HEAD SCREW, 1/4"-20 X 1 1/2"	WR1386	2
3	WING NUT, 1/4"-20	WR1382	2
4	3/16" HEX DRIVE FLAT HEAD SCREW, 5/16"-18 X 1 1/4"	WR1383	2
5	#2 PHILLIPS FLAT HEAD SCREW, 10-24 X 3/4"	WR1384	4
6	#3 PHILLIPS FLAT HEAD SCREW, 1/4"-20 X 2 1/2"	WR1385	4
7	PLASTIC CAP	WL710	2
8	BLADE	WX2417	1
9	SLIP-ON FOOT, 3/4"	WK219	2
10	COMPRESSION SPRING	WX2424	2
11	SET SCREW, 10-24 X 3/16"	WR1377	2
12	CAM LOCKING PIN	WU904	1
13	#2 PHILLIPS PAN HEAD SCREW, 1/4"-20 X 1/2"	WR1158	5
14	#3 PHILLIPS PAN HEAD SCREW, 1/4"-20 X 3/4"	WR1378	2
15	EXCENTRIC CAM	WX2425	2
16	ANVIL BEAM	R4525	1
17	GUIDE ROD	WU903	2
18	BLADE BEAM	R4526	1
19	CAM BAR	R4527	1
20	CAM PIN	WU905	2
21	SPRING PIN, 3/8" DIA X 1 1/4" LONG	WR1379	2
22	BED BRACE EXTRUSION	WC921	2
23	#3 PHILLIPS PAN HEAD SCREW, 1/4"-20 X 1"	WR1380	4
24	#2 PHILLIPS FLAT HEAD SCREW, #10 X 1" LONG	WR1381	3
25	LEG	R4531	1
26	ADHESIVE RULE	WX2426	1
27	BED	WL708	1
28	SPRING BUTTON	WT173	1
29	EXTENSION HANDLE	R4528	1
30	SOFT GRIP	WT507	1
31	BED FENCE	R3944	1
32	END CAP	WL741	1