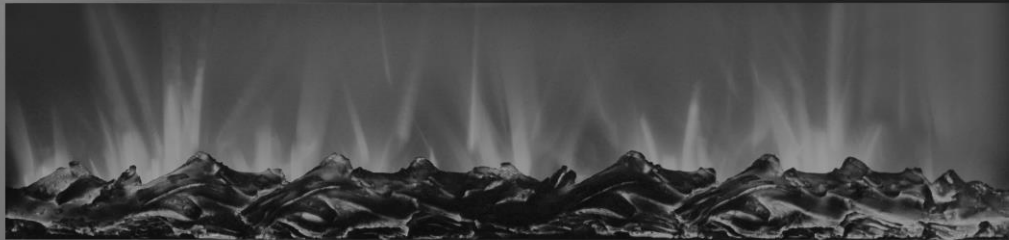


# FLAT PANEL BOTTOM VENT ELECTRIC FIREPLACE with digital display and remote control

## OWNER'S MANUAL

Item#WF-1350



AC 120V 60Hz 1500W

**⚠ WARNING**

**Read and understand** this entire owner's manual, including **all safety information**, before **plugging in** or **using** this product. Failure to do so could result in **fire, electric shock, or serious personal injury**.

**⚠ CAUTION**

**Keep this owner's manual** for future reference. If you sell or give this product away, **make sure this manual accompanies this product**.

# IMPORTANT SAFETY INFORMATION!

## WARNING

- **Read all instructions before using this heater!**
- The air vent for this heater is in the bottom of the unit. When in heater mode, the air vent will release hot air and the vent portion will be hot. To avoid burns, **DO NOT** let bare skin touch hot surfaces. If provided, use handles when moving this heater. Keep **combustible materials**, such as furniture, pillows, bedding, papers, clothes, and curtains at least **3 feet (0.9m)** away from the front of the heater and keep them away from the sides and rear.
- **Extreme caution** is necessary when any heater is used near children or invalids and whenever the heater is left **operating and unattended**. **DO NOT** operate any heater with a **damaged cord or plug** or after the **heater malfunctions**, has been **dropped or damaged in any manner**, Discard heater, or return to authorized service facility for examination and /or repair.
- **DO NOT** run power cord under carpeting. **DO NOT** cover power cord with throw rugs, runners, or similar coverings. **DO NOT** route power cord under furniture or appliances. Arrange power cord away from **traffic area**, and where it will not be tripped over.
- **Connect to properly grounded outlets ONLY.**
- **DO NOT** insert or allow foreign objects to **enter any ventilation or exhaust openings**, as this may cause **electric shock or fire**, or **damage the heater**.
- To prevent a possible fire, **DO NOT** block air intakes or exhaust in any manner. Doing so could cause a fire. **DO NOT** use on soft surfaces, like a bed, where openings may become blocked.
- A heater has **hot and arcing or sparking parts inside**. **DO NOT** use it in areas where **gasoline, paint, or flammable liquids** are used or stored.
- **Use this heater only as described in this manual. Any other use not recommended by the manufacturer may cause fire, electric shock, or injury to persons.**
- **ALWAYS plug heaters directly into a wall outlet/receptacle. Never use with an extension cord or relocatable power tap (outlet/power strip).**
- **DO NOT** place the heater near a bed because objects such as pillows or blankets can fall off the bed and be ignited by the heater.
- **NEVER** use this heater in **bathrooms, laundry rooms**, or any other location where the heater could fall into a **bathtub or pool, become damp or come in contact with water**.
- **AVOID FIRE!** Regularly inspect all air vents to make sure they are free from dust, lint, or other Blockage. **Unplug the unit** and clean with a **vacuum ONLY**. **DO NOT** rinse or get wet.
- **NEVER** hang this unit on a wall directly below an electrical outlet.
- **NEVER permanently install in a recessed area of the wall**. This may result in **blocked air flow, overheating, or fire**.
- **ALWAYS** mount to wall bracket before use. **DO NOT** set on the floor, or other surface, to use.
- **NEVER** use a wall mount bracket from another manufacturer.

# **WARNING**

- **For residential use only! NOT for commercial use!** Any commercial or public use of this heater **voids all warranties** and could cause **injury**.
- This product is **not intended** to be a **primary heater source**. It is for **supplemental heat only**.
- **INDOOR use only! NEVER** use this heater **outdoors!** Doing so may result in **electric shock!**
- **Risk of electric shock! DO NOT OPEN!** No user-serviceable parts inside!
- **NEVER modify this heater**. Doing so could result in personal **injury** or property **damage**.  
Modification of this fireplace **completely voids all warranties**.
- **Always** turn of this heater off before unplugging it from outlet.
- **ALWAYS disconnect** this unit from the **power** supply **before** performing any assembly or cleaning, or before relocating the electric fireplace.
- **NEVER** leave this heater unattended. **ALWAYS** unplug this heater when not in use.
- **ALWAYS** store this heater in a dry location. **NEVER** use the fireplace if it has become wet
- **ONLY** use this heater on a 120 Volt 15 Amp grounded circuit. **NEVER** overload the circuit. If this heater trips the circuit breaker, unplug all other appliances on the same circuit before the next use. Avoid plugging other appliances into the same circuit as this heater.
- **NEVER** plug this heater into an outlet that is **old, cracked**, or has any **loose wires or connections**. Plugging this heater into faulty outlet could result in **electric arcing** within the outlet that could cause the **outlet to overheat or catch fire**.
- **ALWAYS** check your heater cord and plug connections with **each use!**
  - i) **MAKE SURE** the plug fits tight in the outlet! Faulty wall outlet connections or loose plugs can cause the outlet to overheat.
  - ii) **Heaters draw more current** than small appliances. **Overheating** may occur even if it has not occurred with the use of other appliances.
  - iii) During use **check frequently** to see if the **plug outlet or face plate** is **HOT!**
  - iv) If the outlet or face plate is **HOT**, **discontinue use immediately** and have a qualified electrician inspect and/or replace the faulty outlets.

# **SAVE THESE INSTRUCTION**

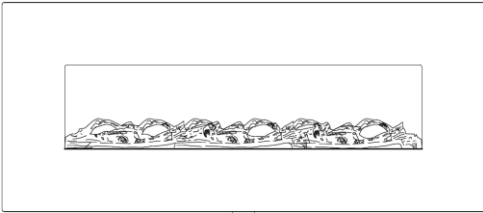
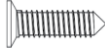



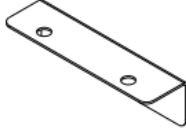

## **PREPARATION**



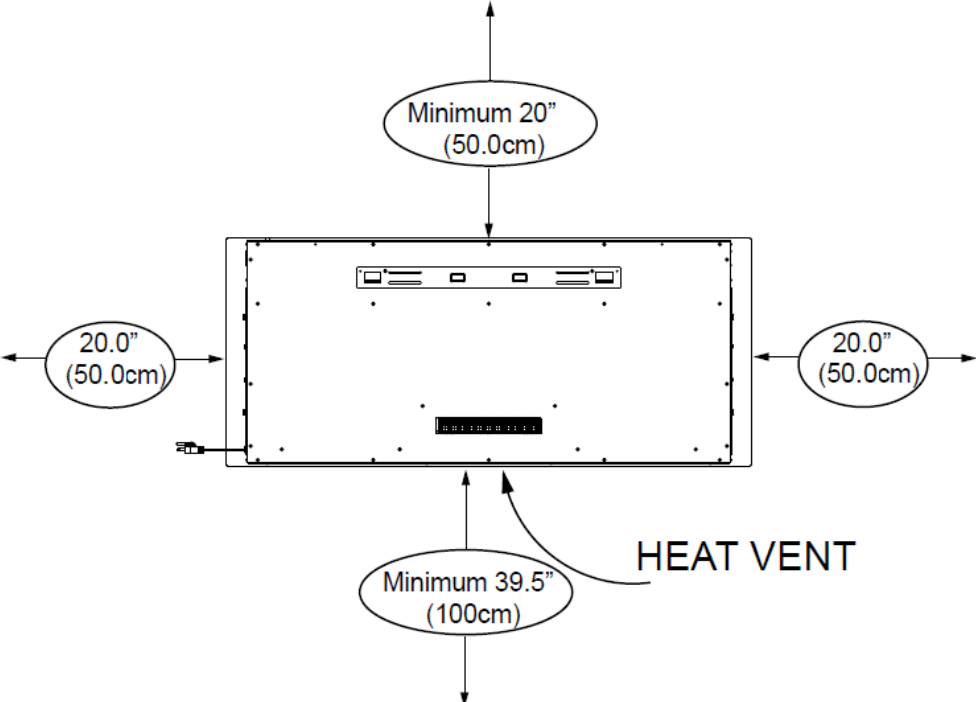
This product includes a **GLASS panel!** Always use **extreme caution** when handling **glass**. Failure to do so could result in **personal injury or property damage**.

Remove all parts and hardware from the carton and place them on a clean, soft, dry surface. Parts and assembly steps are grounded for wall-hanging or recessing use. Check the parts list to make sure nothing is missing. Dispose of packaging materials properly. Please recycle whenever possible. You will need the following tools (not included): Phillips screwdriver; stud finder; level; tape measure; electric drill; 1/4" wood drill bit, hammer.


## PARTS & HARDWARE

 <p>A- Fireplace with pre-installed faux log ember bed and non-replaceable LED strip (life span=100,000 hours)</p>	 <p>B-4x8mm Screws</p>	 <p>C- 4x30 Screws</p>	 <p>D-Drywall anchors</p>
	 <p>E-Wall Bracket Pre-installed on back of firebox</p>	 <p>F-Metal Bracket</p>	 <p>G-Remote Control with pre-installed 3V CR2025 Lithium Cell Battery</p>

## Installation & Assembly

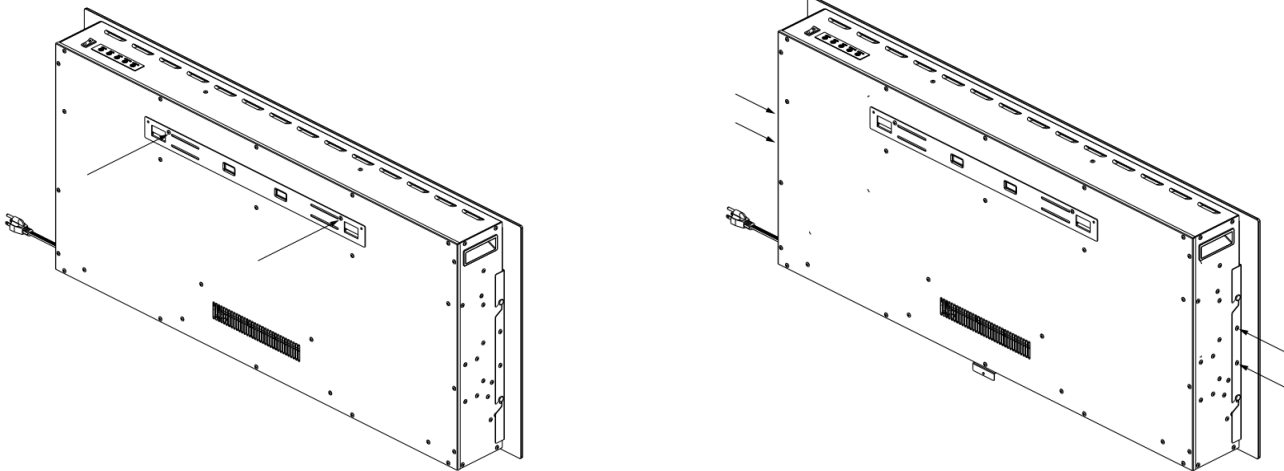


Step 1. Find a safe location. Minimum clearance on each side: 20" (50cm). Minimum clearance above: 20" (50cm). Minimum clearance below: 39.5" (100cm). Minimum clearance from the front: And sides: 3 feet(90cm). Choose a location near an outlet so never use extension cord. **DO NOT** position the unit directly below a power outlet. See safety information on pages 2 and 3 for warnings about safe placement, safety installation, and purpose use of this product.

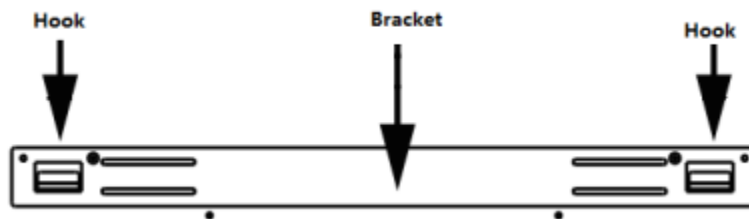
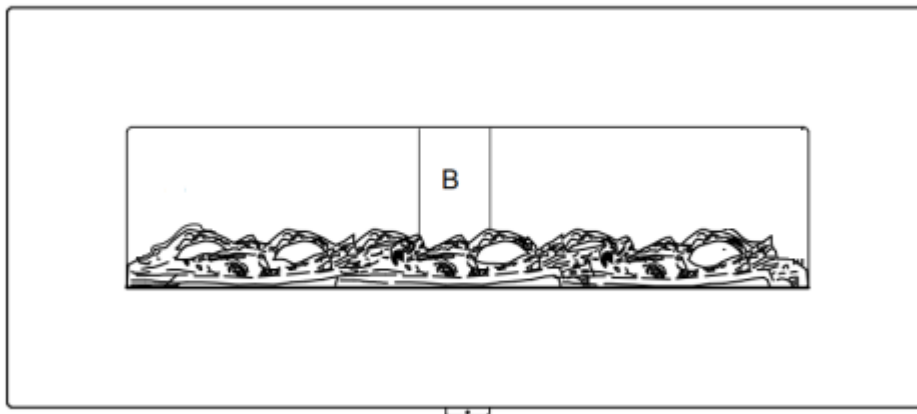
 **ALWAYS unplug** this fireplace heater before **Assembly** or **cleaning**, or **before** relocating. Failure to do so could result in **electric shock, fire, or personal injury.**

## Wall Mounted Installation

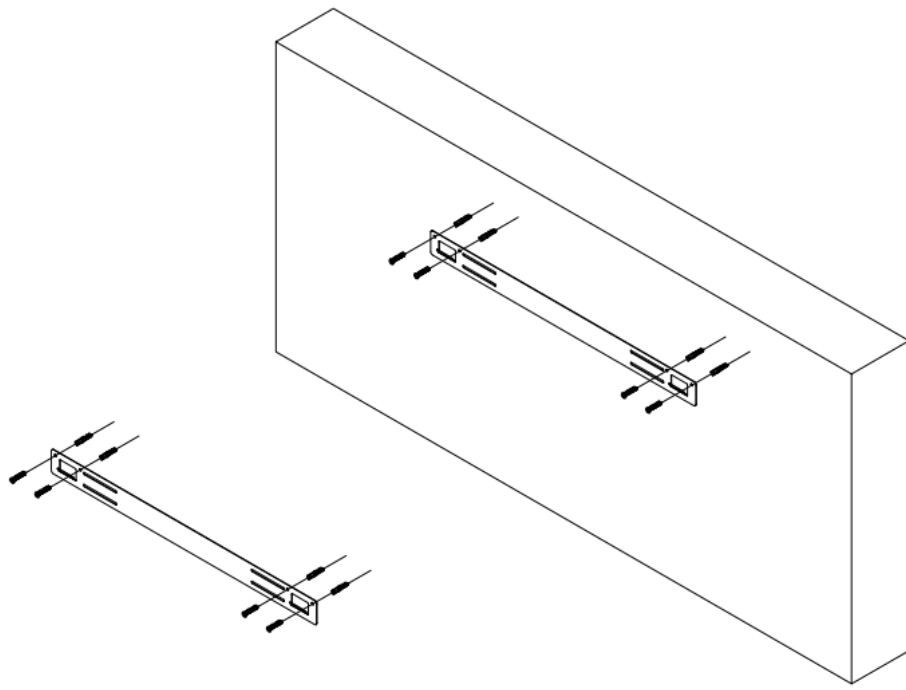
- Remove the back-bracket's screws from fireplace and remove the both side two white screws.



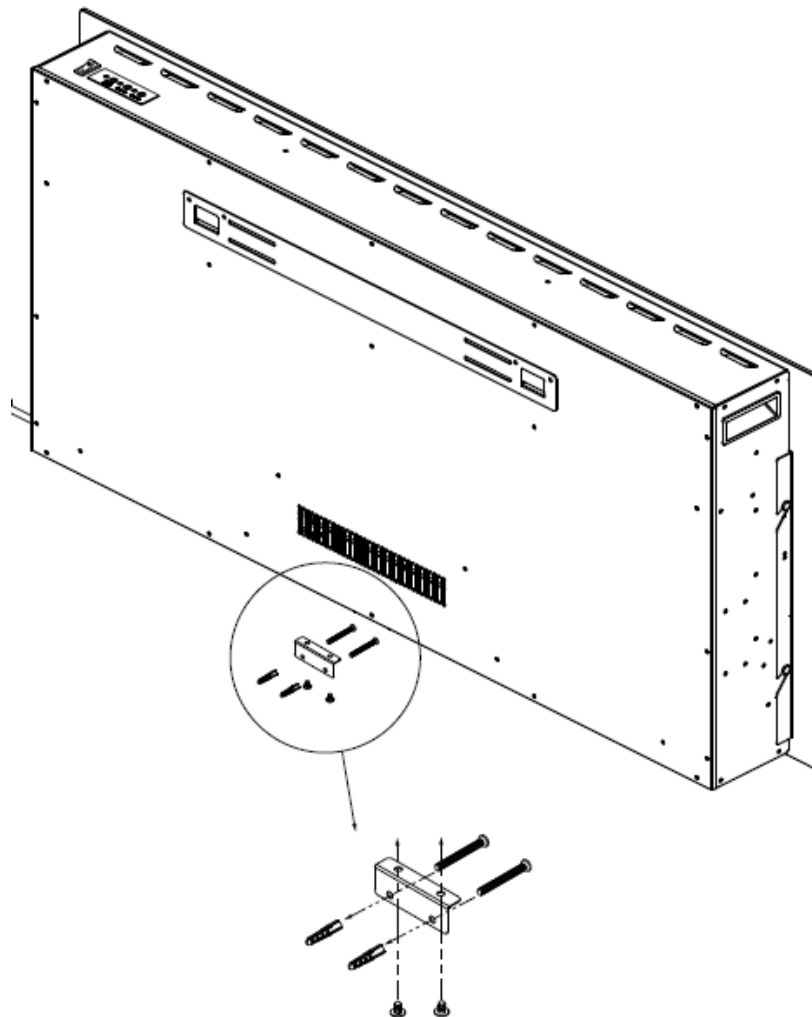
- Remove the front tempered glass out of appliance and take foam (H) out of appliance.



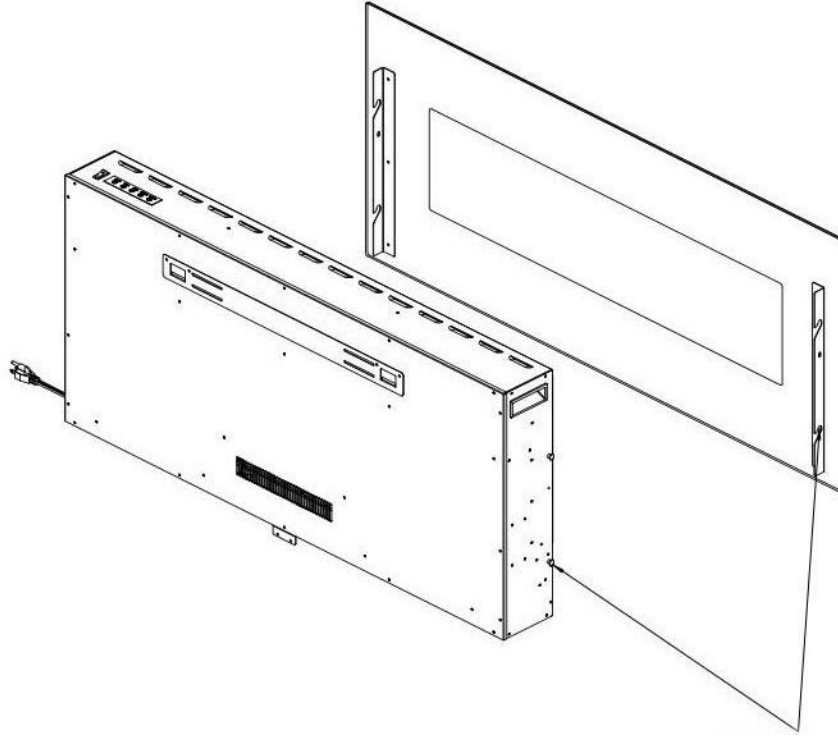
NOTE: It is strongly Recommended that the mounting bracket(E) be screwed into the wall studs where possible. If the wall studs cannot be used, ensure that the supplied plastic anchors are used to affix the bracket to the wall and the bracket are adequately secured.



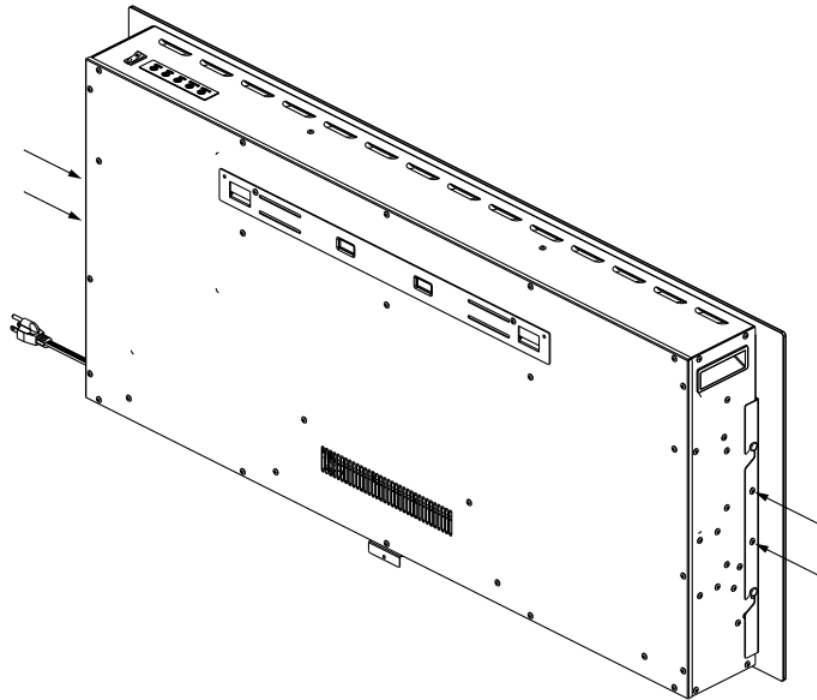
A. Fasten the metal bracket at the back of fireplace with 2pc 4x8mm screw, the other end to the wall with 2pcs of Drywall anchors.



B. With the wall mounting bracket installed have two people lift the appliance up and insert the two hooks on the bracket into the two slots on the back of the appliance.

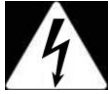


C. Fix the tempered glass with 4\*8mm white screws provided



D. Check the appliance for stability ensuring that the bracket will not pull free from the wall.

# WARNING



Read and understand this entire owner's manual, including all safety information, before plugging in or using this product. Failure to do so could result in electric shock, fire, serious injury, or death.

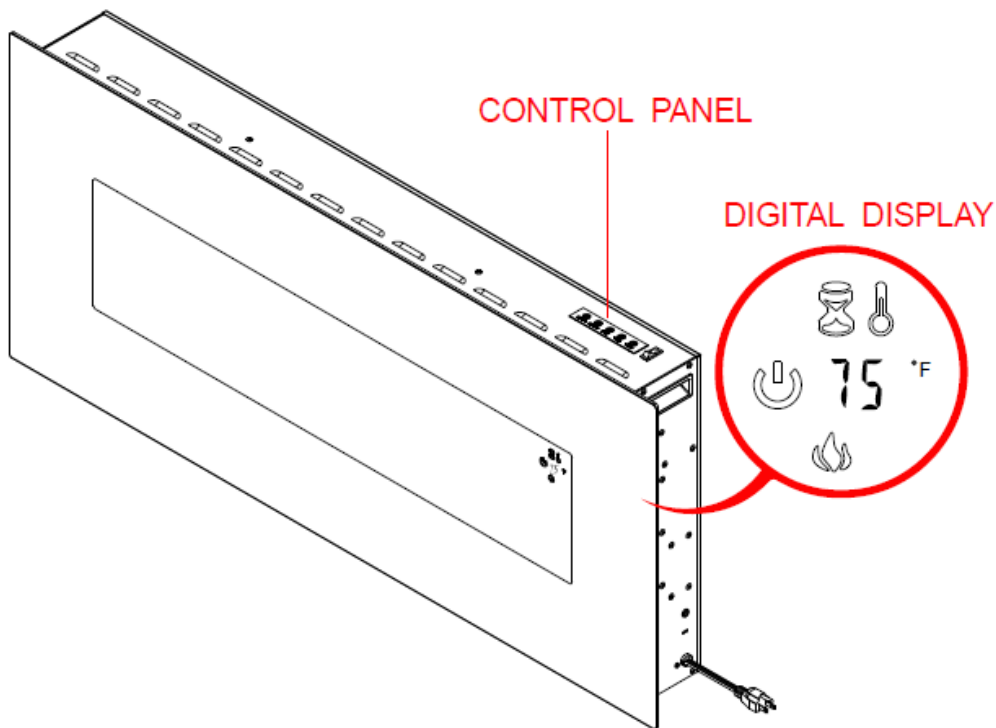
## Power

Plug the power cord into a 110-120V Volt 15 Amp grounded outlet (see IMPORTANT SAFETY INFORMATION on Pages 2 and 3). Make sure the outlet is in good condition and that the plug is not loose. NEVER exceed the maximum amperage for the circuit. DO NOT plug other appliances into the same circuit.

## Methods of Operation

This electric fireplace can be operated by the Control panel, located on the right-side top panel of the fireplace, or by the battery-powered REMOTE CONTROL.

The operation and functions of the two methods are the same.



TIME INDICATOR



POWER ON

75°F

DISPLAY: Displays temperature, heat setting, brightness level, timer



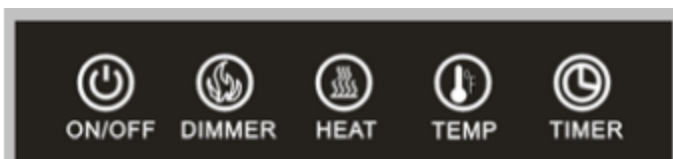
HEAT INDICATOR








FIREPLACE ON

Before operating, please review the IMPORTANT SAFETY INFORMATION on Pages 2 and 3 and heed all warnings.





### Manual /Remote control Operation

BUTTON	FUNCTION	ACTION&INDICATION
	Enable all functions and turn off all functions on control	<ol style="list-style-type: none"> <li>1. This button should switch on.</li> <li>2. Enable all functions and turn off all functions on control</li> </ol>
 FLAME	FLAME button: Makes flame effect dimmer and brighter. NOTE: Flame effect stays on until power button is turned off. Flame effect must be on for heater to turn on.	<ol style="list-style-type: none"> <li>1. Press once. Flame brightness effect changes.</li> <li>2. Press again. Until desired setting is reached. There are 5 levels of brightness from 5,4,3,2,1.</li> </ol>
 HEATER	HEATER button: Turn heater on and off. NOTE: To prevent overheating, the heater fan will blow out cool air for 30 seconds after the heater turn off.	<ol style="list-style-type: none"> <li>1. Press once. Indicator lights up. 750W heater turns on and blows warm air.</li> <li>2. Press again. Indicator lights up. 1500W heaters turns on and blows hot air.</li> <li>3. Press again. Heaters turn off. The fan blows cool air for 30 seconds to allow heater to cool down, then turns off.</li> </ol>
 TEMP.	TEMPERATURE button: Control temperature settings to choose temperature as desired. Setting range from 62F to 82F.	<ol style="list-style-type: none"> <li>1. Press once. Indicator light turn on. Temperature is set to 62F.</li> <li>2. Press again until desired setting is reached. LED display show setting.</li> </ol>
 TIMER	TIMER button: Control timer settings to turn off fireplace at selected time. Settings range from 1 hours to 8 hours.	<ol style="list-style-type: none"> <li>3. Press once. Indicator light turn on. Temperature is set to hours. Press again until desired setting is reached. LED display show setting.</li> </ol>

## NOTICE

When the heater is first turned on, a slight odor may be present. This is normal and should not occur again unless the heater is not used for a long period of time.

## NOTICE

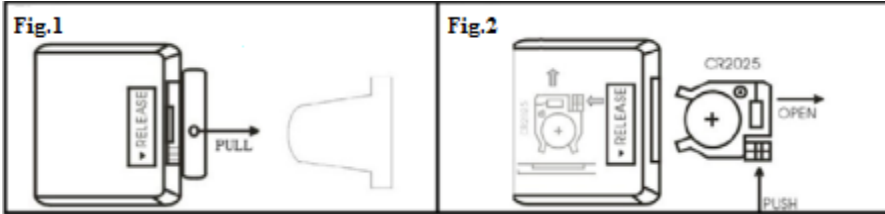
To improve operation, aim the remote control at the front of the fireplace. DO NOT press the buttons too quickly. Give the unit time to respond to each command.

### Temperature Limiting Control

This heater is equipped with a Temperature Limiting Control. Should the heater reach an unsafe temperature, the heater will automatically turn OFF. To reset:

1. Unplug the power cord from the outlet.
2. Turn the ON/OFF switch on the CONTROL PANEL to OFF. Wait 5 minutes.
3. Inspect the fireplace to make sure no vents are blocked or clogged with dust or lint. If they are, use a vacuum to clean the vent areas.
4. With the POWER switch in the OFF position, plug the power cord back into the outlet.
5. If the problem continues, have your outlet and wiring inspected by a professional.

### Remote Control Battery Information



Remote control requires one 3V CR2025 Lithium Cell Battery (included and pre-installed).

Remove the protective sheet between the battery and the contacts in order to operate (see Fig 1. and Fig.2).

### REPLACE THE REMOTE CONTROL BATTERY

When the remote-control stops operating, or its range seems reduced. It is time to replace the battery with a new one.

1. The battery compartment is located on the back end of the remote.
2. Press and slide the battery door open and remove the old battery.
3. Insert a CR2025 battery, checking that the “+” and “-” terminals of the battery matches the inside of the battery compartment.
4. Replace the battery compartment door.



**NEVER** dispose of batteries in fire. Failure to observe this precaution may result in an explosion. Dispose of batteries at your local hazardous material processing center.

## CARE AND MAINTENANCE

### Cleaning



**ALWAYS** turn the heater **OFF** and **unplug the power cord from the outlet** before cleaning, performing maintenance, or moving this fireplace. Failure to do so could result in **electric shock, fire, or personal injury**.



**NEVER** immerse in water or spray with water. Doing so could result in **electric shock, fire, or personal injury**.

Metal:

Buff using a soft non-abrasive cloth, slightly dampened with water.

- **DO NOT** use brass polish or household cleaners as these products will damage the metal trim.

**Glass:**

- Use a good quality non-abrasive glass cleaner and dry thoroughly with a paper towel or lint-free cloth.
- **NEVER** use abrasive cleansers, liquid sprays, or any cleaner that could scratch the surface.
- Use a vacuum or duster to remove dust and dirt from the heater and vent areas.
- Clean the exterior of the fireplace with a slightly damp cloth or duster.

**Maintenance**



**Risk of electric shock! DO NOT OPEN! No user-serviceable parts inside!**



**ALWAYS** turn the heater **OFF** and **unplug the power cord from the outlet** before cleaning, performing maintenance, or moving this fireplace. Failure to do so could result in **electric shock, fire, or personal injury.**

**Electrical and Moving Parts:**

- The fan motors have already been lubricated at the factory and will not require additional lubrication.
- Electrical components are built into the fireplace and are not serviceable by the consumer.

**Storage:**

- Store heater in a clean dry place when not in use.




**WARNING!** No other servicing should be performed by the consumer. Do not attempt to service the unit yourself.

*Troubleshooting*

# ! WARNING

DISCONNECT THE APPLIANCE COMPLETELY AND LET COOL PRIOR TO ANY SERVICE.  
**CONTACT A QUALIFIED ELECTRICIAN OR TECHNICIAN SHOULD THIS ELECTRIC APPLIANCE NEED SERVICE OR REPAIR.**

Problem	Possible Cause	Solution
1. Fireplace turns off and will not turn on.	1. Fireplace has overheated and safety devise has caused thermal switch to disconnect or home circuit breaker has opened.	1. Reset switch by turning main power off Wait for 10-15 minutes before turning it back on.
Flame is not moving. 	1. Loose wiring. 2. Flame motor defective. 3. Flame rod out of place	1. Inspect wiring for loose connections. 2. Call a qualified electrician or service technician to replace flame motor. 3. “Flame Rod” out of place due to rough transit/handing of the product. This issue can be corrected by removing the glass, flipping the fireplace upside and down, removing a set of screws that are holding the bottom frame plate and placing the flame rod back in place. Screw the frame plate back in place.
3 Flame is not visible.	1. Wiring is loose	1. Disconnect from power source and inspect wiring for loose connections and repair or replace if necessary. 2. Push the flame button to high
4 Log set and /or is not glowing.	1. Wiring is loose 2. Ember is off mode	1. Disconnect from power source and inspect wiring for loose connections and repair or replace if necessary.
5 Remote control does not work.	1. Low batteries. 2. Not aiming control correctly.  3. Defective remote control and /or sensor	1. Replace batteries in remote control. 2. Aim control at sensor located directly behind glass screen in center of unit just above logs. 3. Replace remote control and/or sensor.