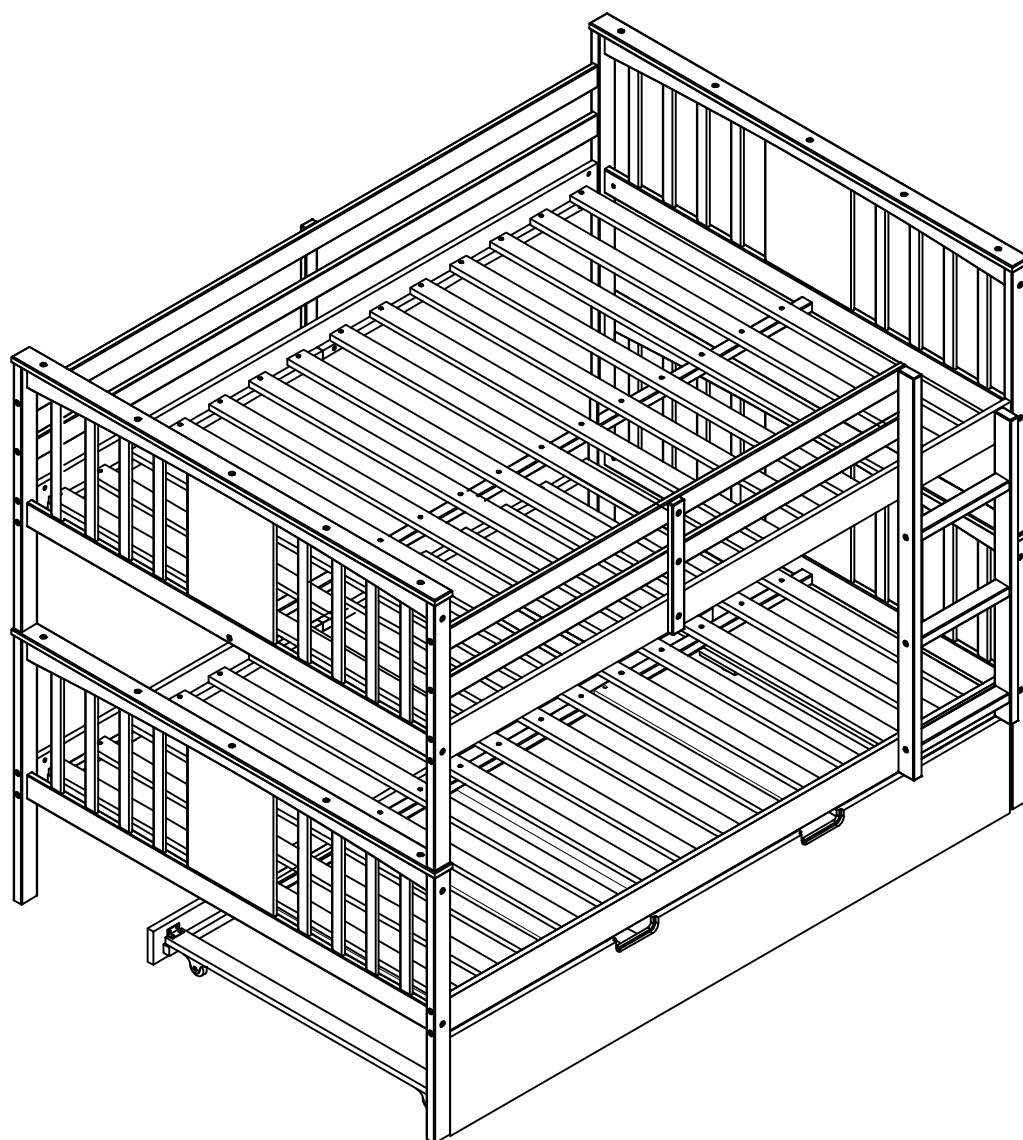
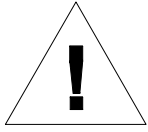


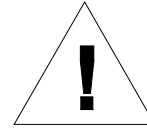
ASSEMBLY INSTRUCTION

SKU CODE: (WF286314/WF286315)





SAFETY WARNINGS



1. This bed is designed for use only mattress(es) meeting the following specifications on the upper bunk and lower bunk:

Down bed

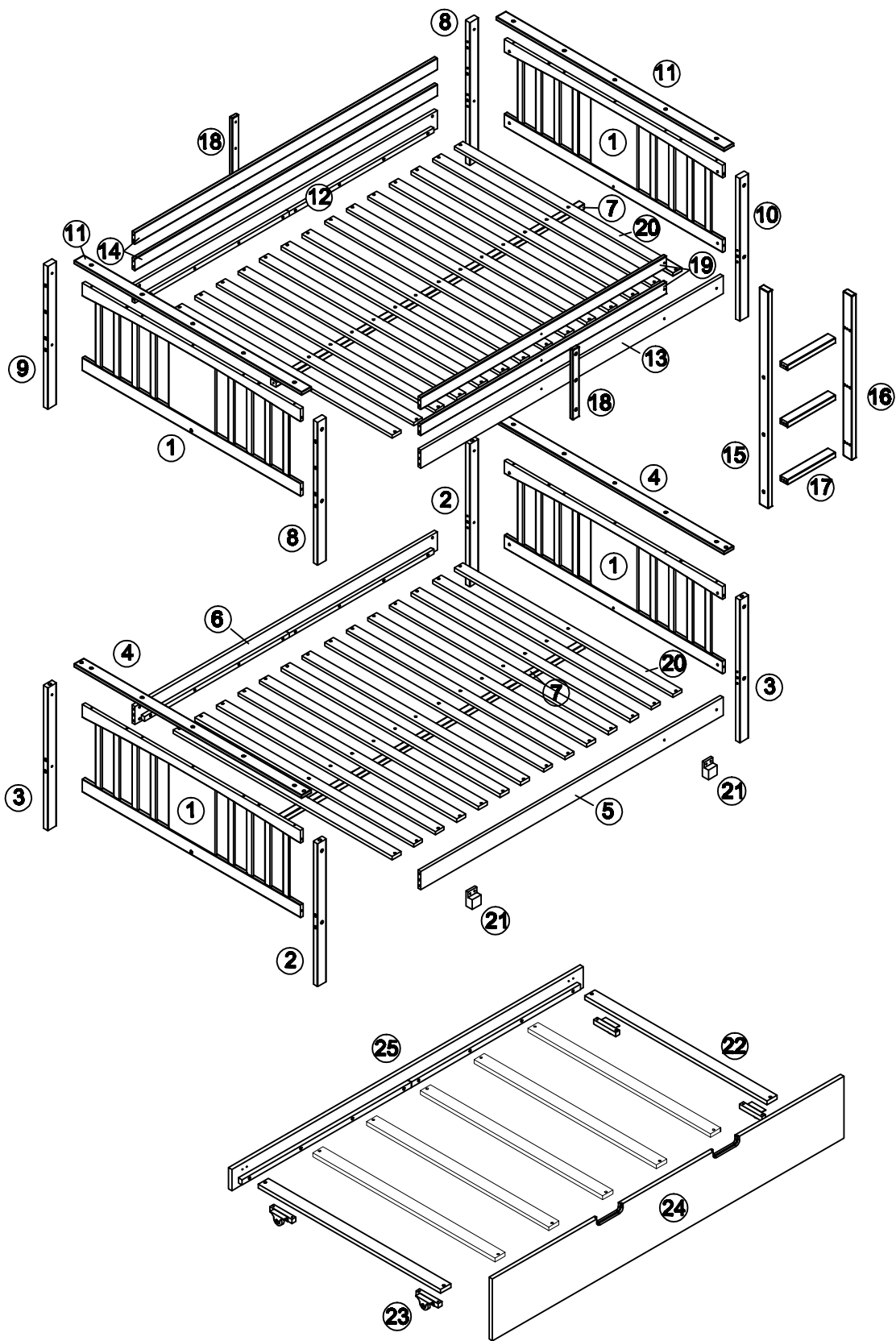
Bed Type	Length	Width	Thickness
Full Standard	74"-75"	53 1/2"	8" max

Up bed (bunk bed and tribed included)

Bed Type	Length	Width	Thickness
Full Standard	74"-75"	53 1/2"	6" max

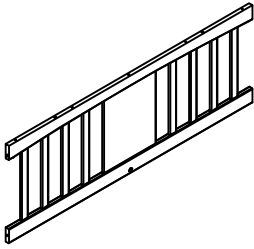
2. Replacement parts, including additional guardrails, may be obtained from any of our **(GIGACLOUD TECHNOLOGY (USA) INC.) dealers**
3. Follow the information on the warnings appearing on the upper bunk bed end structure and on the carton. Do not remove warning label from bed.
4. Always use the recommended size mattresses or mattress supports, or both, to help prevent the likelihood of entrapment or falls.
5. Surface of the mattress must be at least 5" (127 mm) below the upper edge of guardrails.
6. Do not allow children under 6 years of age to use the upper bunk.
7. Periodically check and ensure that the guardrail, ladder, and other components are in their proper position, free from damage, and that all connectors are tight.
8. Do not allow horseplay on or under the bed and prohibit jumping on the bed
9. Always use the ladder for entering and leaving the upper bunk.
10. Do not use substitute parts. Contact the manufacturer or dealer for replacement parts.
11. Use of a night light may provided added safety precaution for a child using the upper bunk.
12. Always use guardrails on both long sides of the upper bunk. If the bunk bed will be placed next to the wall, the guardrail that runs the full length of the bed should be placed against the wall to prevent entrapment between the bed and wall.
13. The use of water or sleep flotation mattresses is prohibited.
14. **STRANGULATION HAZARD** – Never attach or hang items to any part of the bunk bed that are not designed for use with the bed; for example, but not limited to, hook, belts and jump ropes.
15. Keep these instructions for future reference

Detail View - FULL BED WITH TRUNDLE



Part List

1 : Side Frame - 4pcs



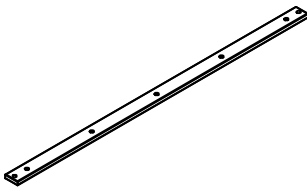
2 : Left Front & Right Back Post Of Bottom Bed - 2pcs



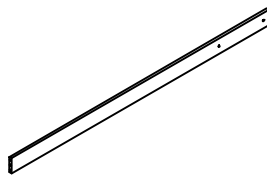
3 : Left Back & Right Front Post Of Bottom Bed - 2pcs



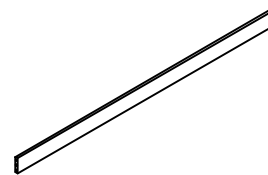
4 : Cap Of Bottom Bed - 2pcs



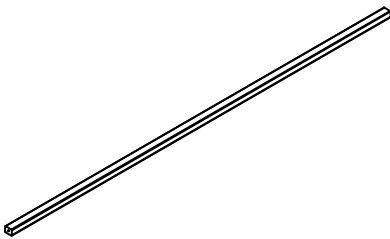
5 : Front Rail Of Bottom Bed - 1pc



6 : Back Rail Of Bottom Bed - 1pc



7 : Middle Rail - 2pcs



8 : Left Front & Right Back Post Of Upper Bed - 2pcs



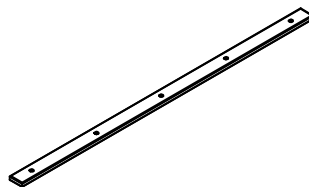
9 : Left Back Post Of Upper Bed - 1pc



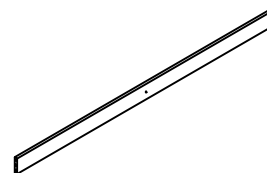
10 : Right Front Post Of Upper Bed - 1pc



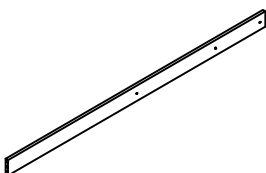
11 : Cap Of Upper Bed - 2pcs



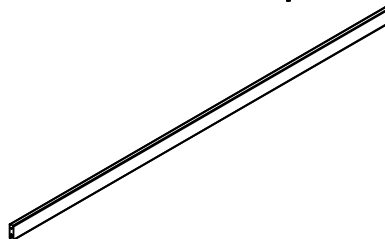
12 : Back Rail Of Upper Bed - 1pc



13 : Front Rail Of Upper Bed - 1pc



14 : Back Guard Rail - 2pcs



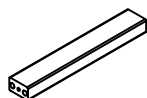
15 : Left Ladder Column - 1pc



16 : Right Ladder Column - 1pc



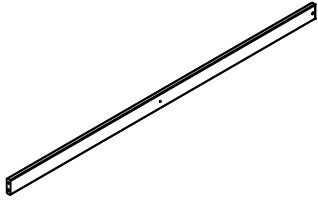
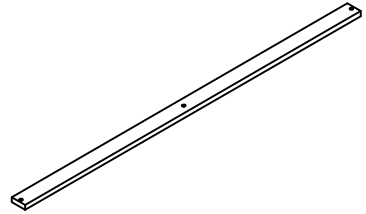
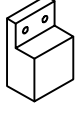
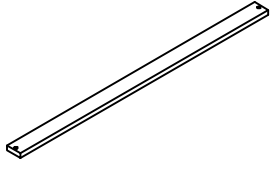
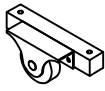
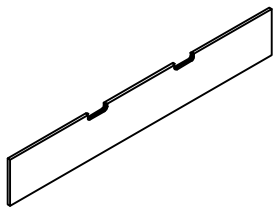
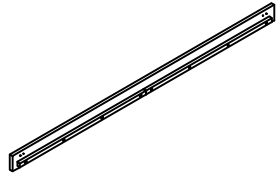
17 : Step Of Bed Ladder - 3pcs



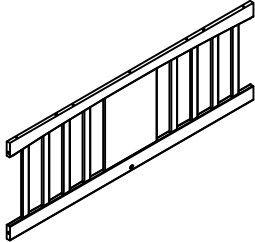








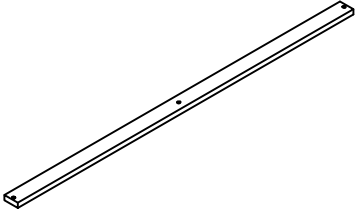
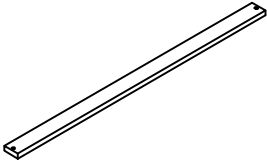
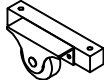
18 : Support Timber - 2pcs



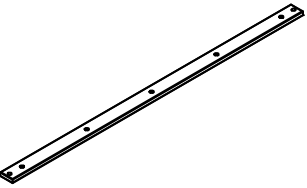
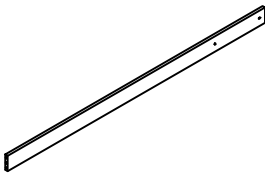
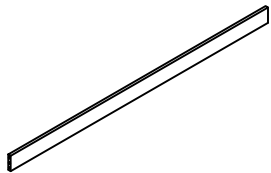
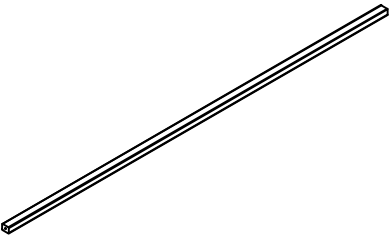
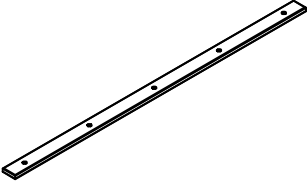
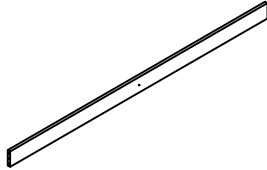
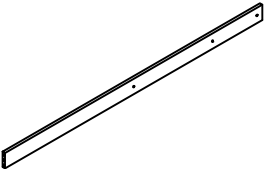
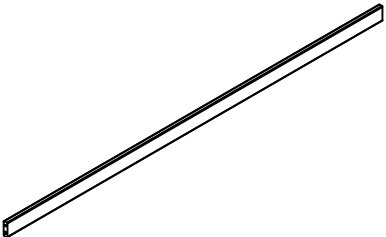
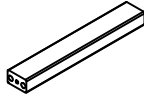
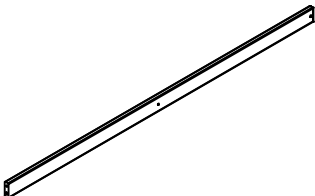
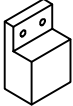
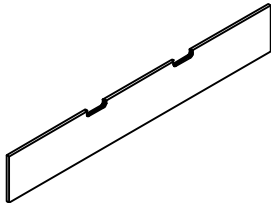
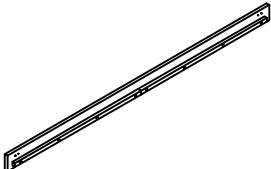
Part List

19 : Front Guard Rail - 2pcs 	20 : Slat For Bed - 28pcs 	21 : Trundle Stopper -2Pcs 
22 : Slat For Trundle - 7pcs 	23 : Wheels -4Pcs 	24 : Front Panel Of Trundle -1Pc 
25 : Back Panel Of Trundle -1Pc 		











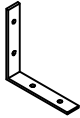
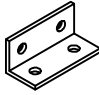



Part List - WF286314

<p>1 : Side Frame - 4pcs</p> 	<p>2 : Left Front & Right Back Post Of Bottom Bed - 2pcs</p> 	<p>3 : Left Back & Right Front Post Of Bottom Bed - 2pcs</p> 
<p>8 : Left Front & Right Back Post Of Upper Bed - 2pcs</p> 	<p>9 : Left Back Post Of Upper Bed - 1pc</p> 	<p>10 : Right Front Post Of Upper Bed - 1pc</p> 
<p>15 : Left Ladder Column - 1pc</p> 	<p>16 : Right Ladder Column - 1pc</p> 	<p>18 : Support Timber - 2pcs</p> 
<p>20 : Slat For Bed - 28pcs</p> 	<p>22 : Slat For Trundle - 7pcs</p> 	<p>23 : Wheels -4Pcs</p> 

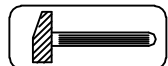
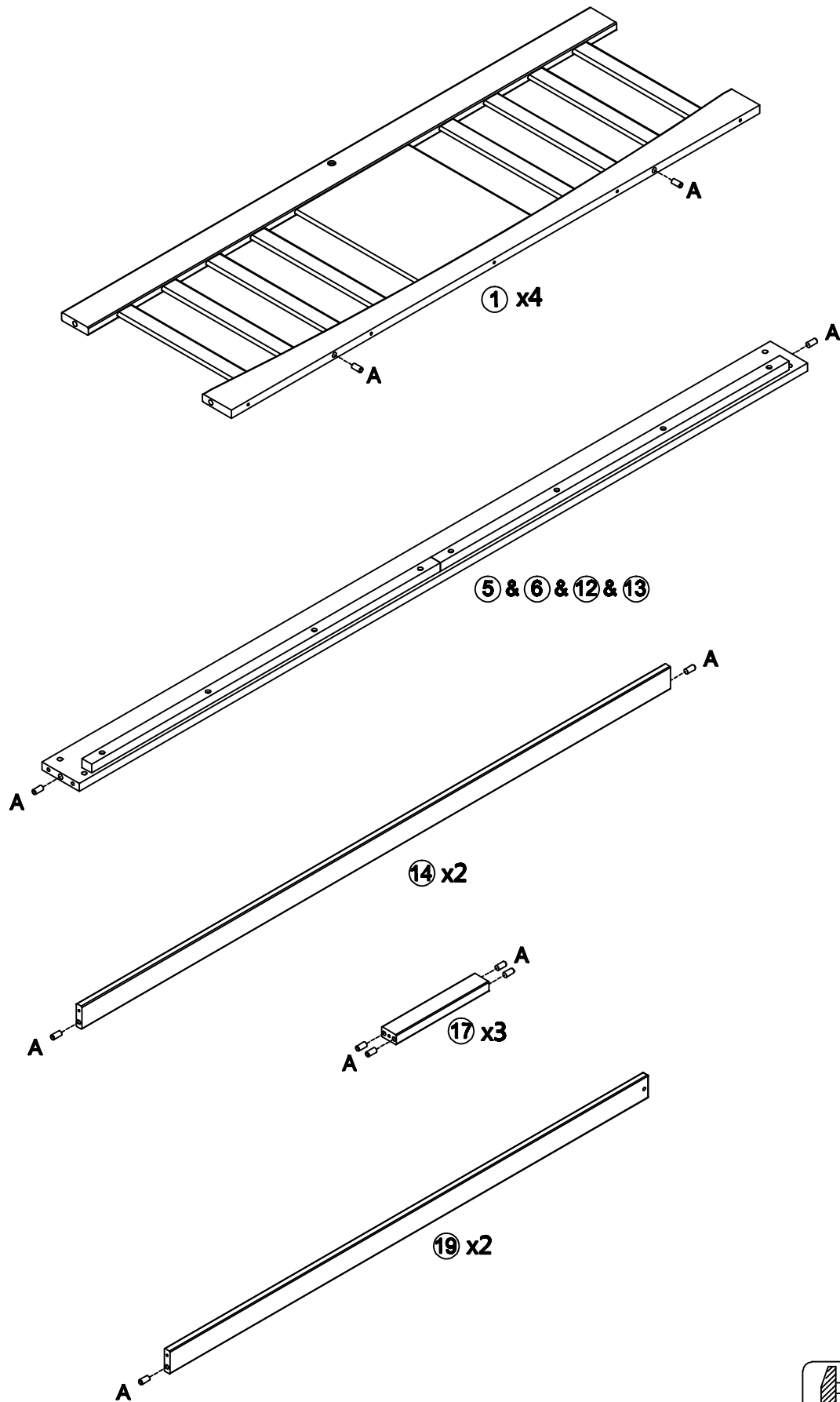
Part List - WF286315


<p>4 : Cap Of Bottom Bed - 2pcs</p> 	<p>5 : Front Rail Of Bottom Bed - 1pc</p> 	<p>6 : Back Rail Of Bottom Bed - 1pc</p> 
<p>7 : Middle Rail - 2pcs</p> 	<p>11 : Cap Of Upper Bed - 2pcs</p> 	<p>12 : Back Rail Of Upper Bed - 1pc</p> 
<p>13 : Front Rail Of Upper Bed - 1pc</p> 	<p>14 : Back Guard Rail - 2pcs</p> 	<p>17 : Step Of Bed Ladder - 3pcs</p> 
<p>19 : Front Guard Rail - 2pcs</p> 	<p>21 : Trundle Stopper -2Pcs</p> 	<p>24 : Front Panel Of Trundle -1Pc</p> 
<p>25 : Back Panel Of Trundle -1Pc</p> 		

Hardware List - WF286314

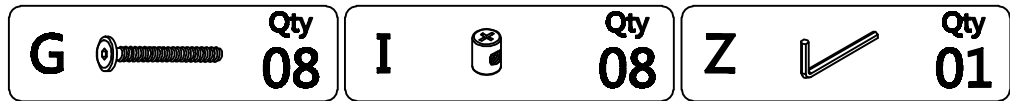
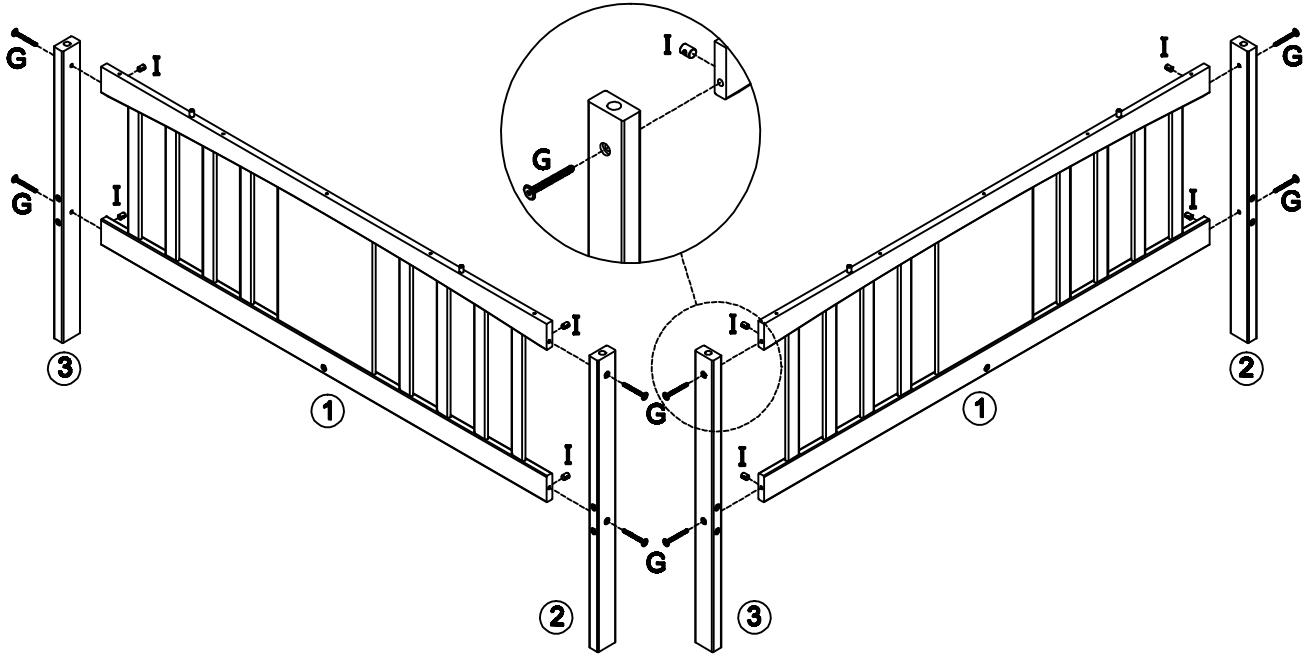
<p>A : Wood Dowel - 34pcs</p>  <p>Ø10x40mm</p>	<p>B : Wood Dowel - 4pcs</p>  <p>Ø14x100mm</p>	<p>C : Hex - Head Screw - 6pcs</p>  <p>Ø6.2x30mm</p>
<p>D : Hex - Head Screw - 30pcs</p>  <p>Ø6.2x30mm</p>	<p>E : Hex - Head Screw - 6pcs</p>  <p>Ø6.2x50mm</p>	<p>F : Horizontal-Hole Bolts - 6pcs</p>  <p>Ø6.2x70mm</p>
<p>G : Hex - Head Bolts - 16pcs</p>  <p>Ø1/4"x57mm</p>	<p>H : Hex - Head Bolts - 16pcs</p>  <p>Ø1/4"x70mm</p>	<p>I : Hinge - 32pcs</p>  <p>Ø1/4"xØ10x12.5mm</p>
<p>J : Round Head Screw - 106pcs</p>  <p>Ø4x30mm</p>	<p>K : L-Bracket - 2pcs</p> 	<p>L : Bracket - 2pcs</p> 
<p>M : Flat Head Screw - 16pcs</p>  <p>Ø3.5x14mm</p>	<p>N : Round Head Screw - 4pcs</p>  <p>Ø4x25mm</p>	<p>Z : Allen Wrench - 1pc</p>  <p>4mm</p>

Step: 1

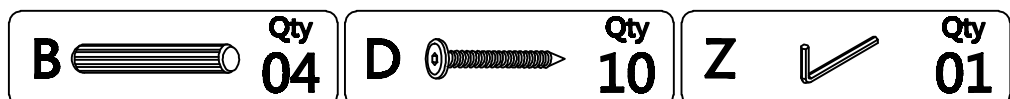
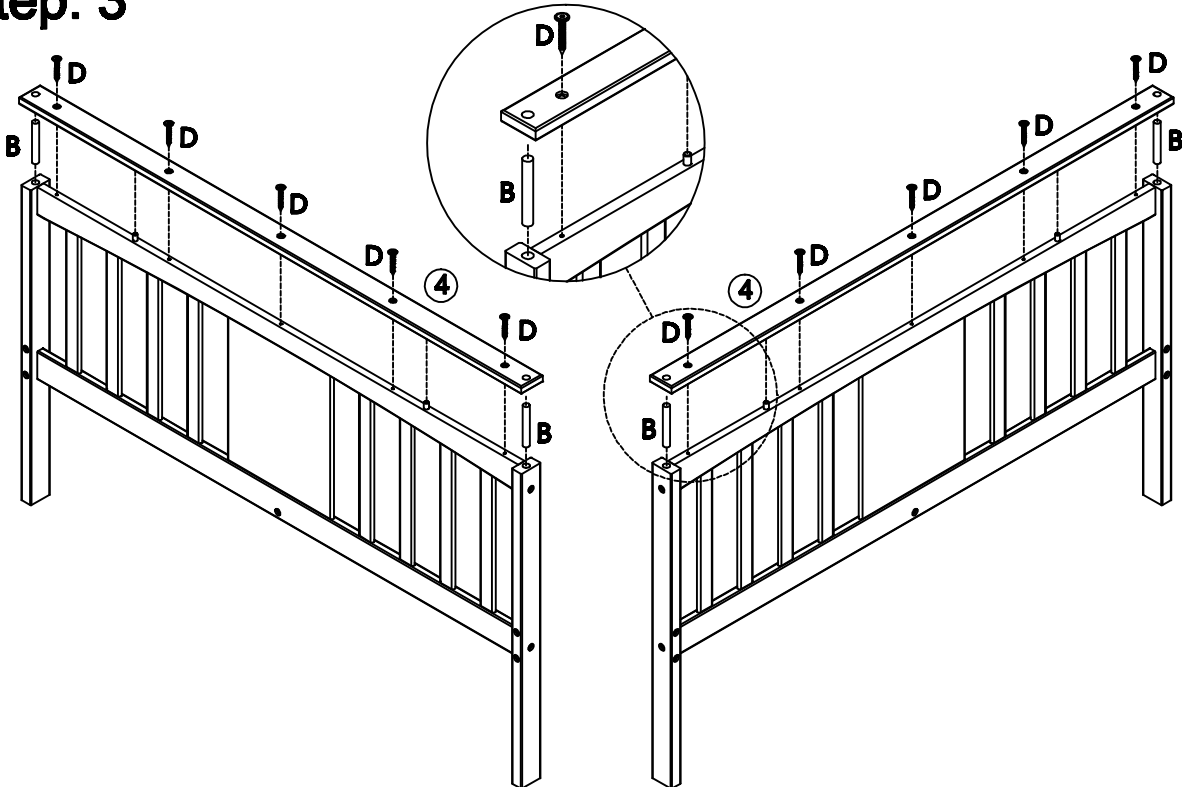


A  Qty
34

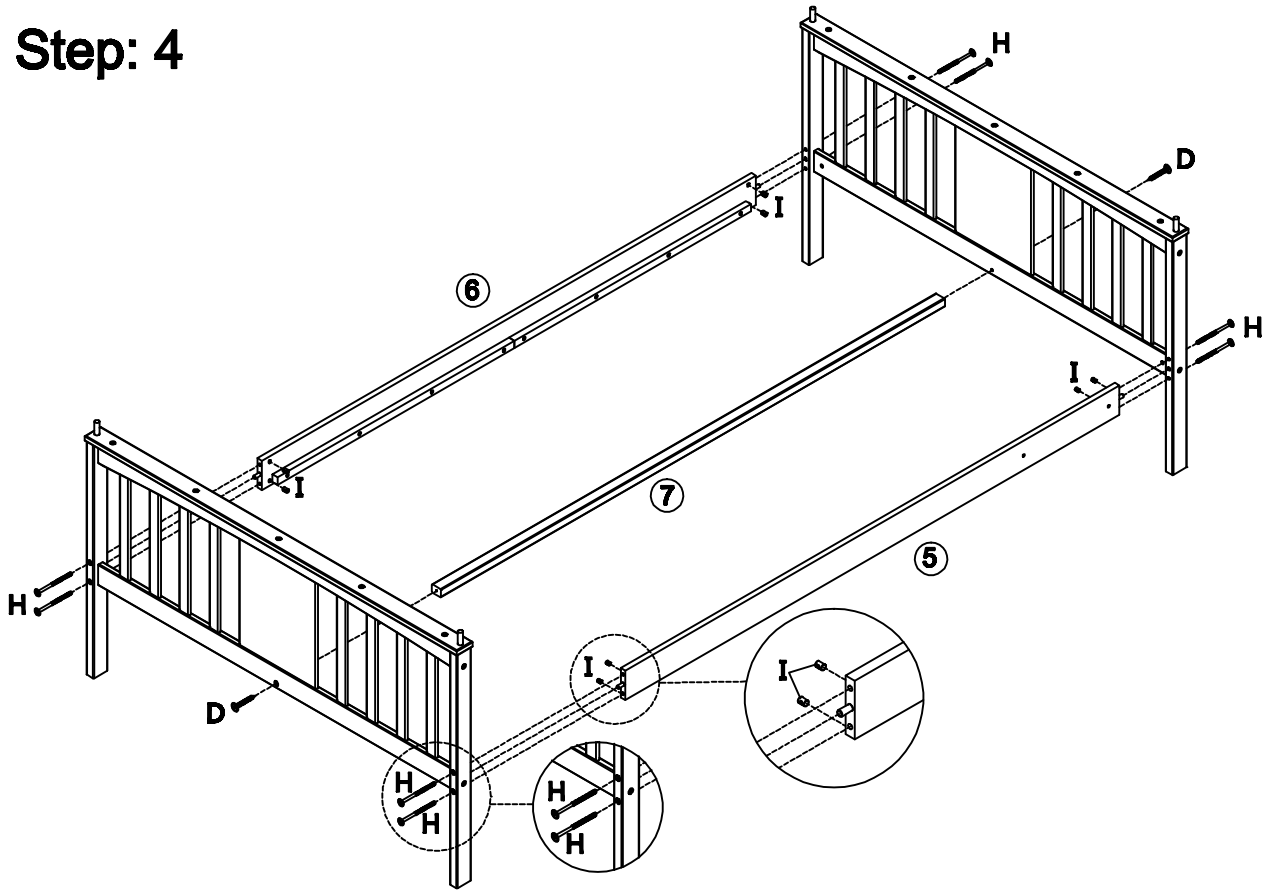
Step: 2



Step: 3

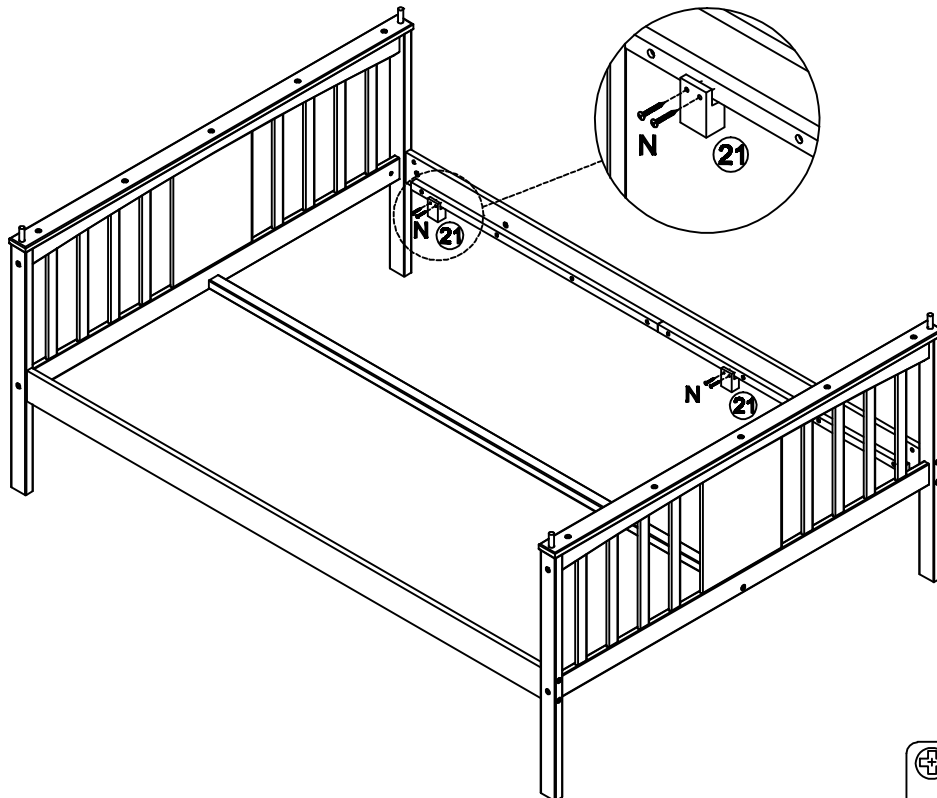



Step: 4



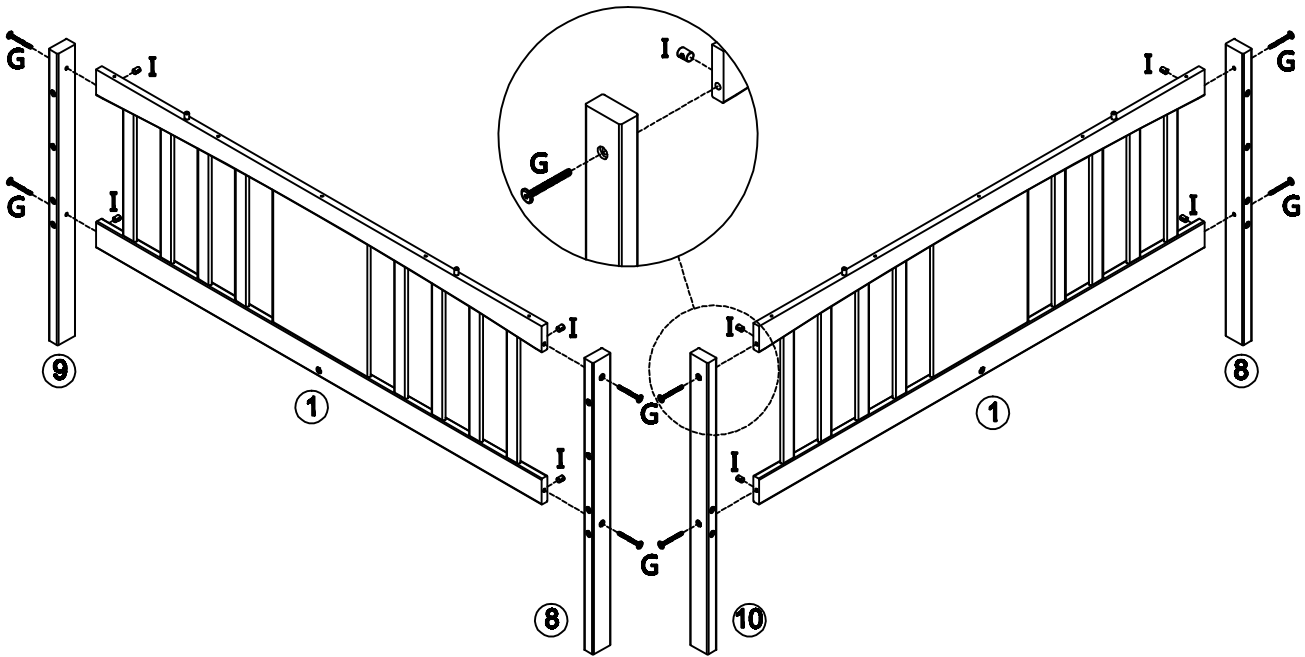
D		Qty 02	H		Qty 08	I		Qty 08	Z		Qty 01
----------	---	------------------	----------	---	------------------	----------	---	------------------	----------	---	------------------


Step: 5





	Qty 04
---	------------------

Step: 6

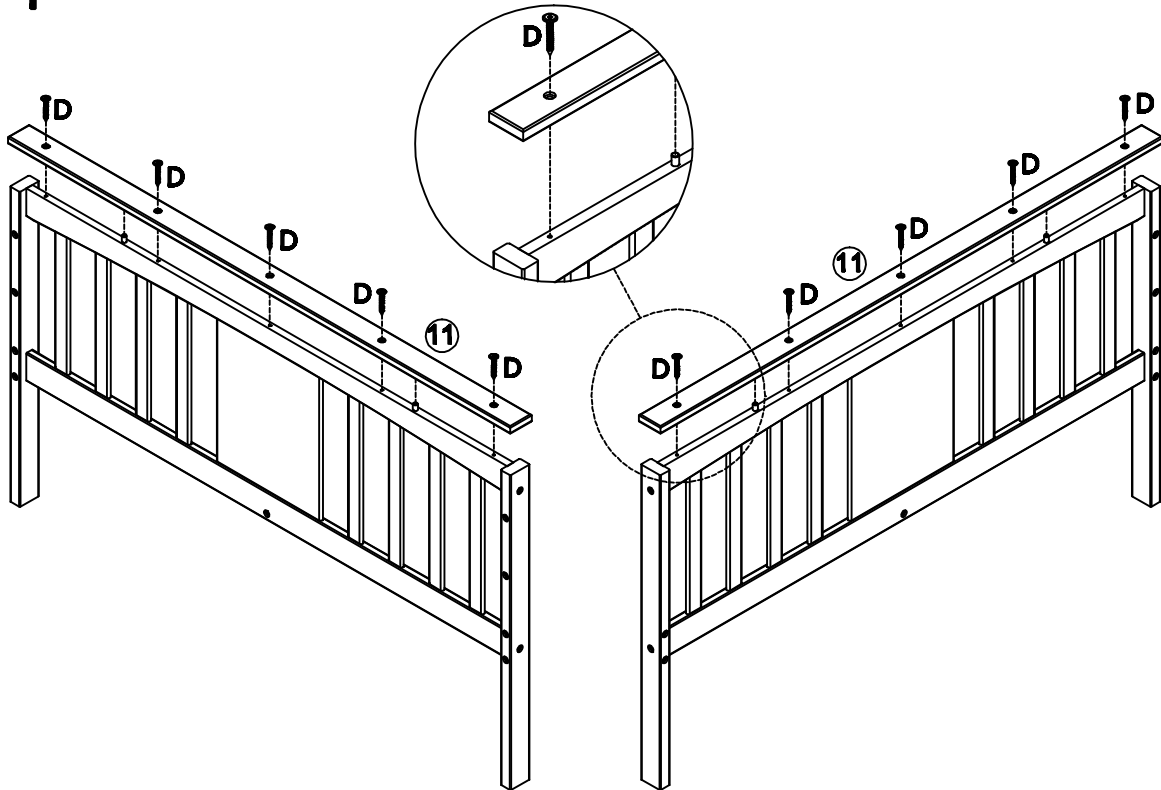



G  Qty **08**


I  Qty **08**

Z  Qty **01**

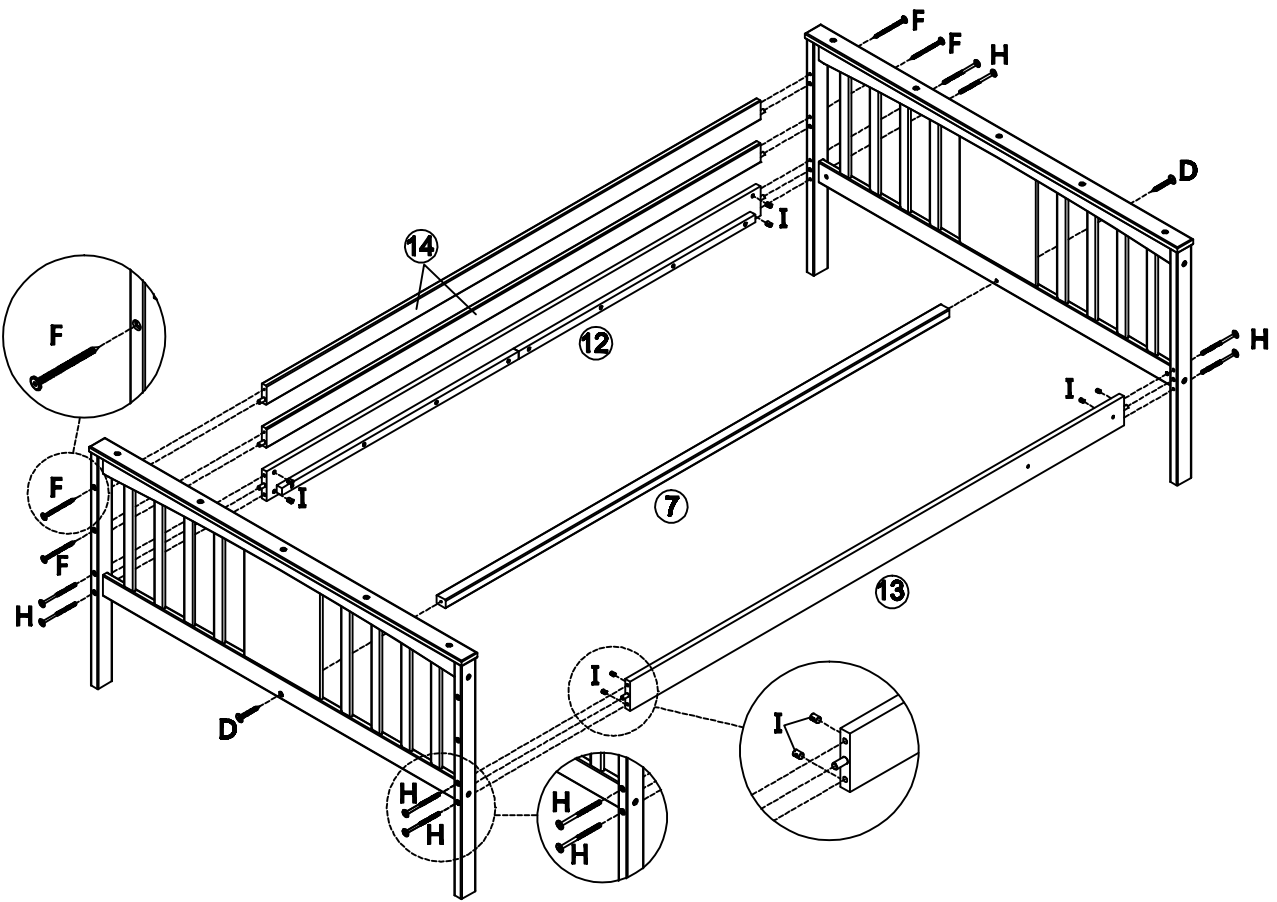
Step: 7





D  Qty **10**

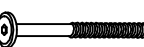
Z  Qty **01**


Step: 8



D  Qty **02**

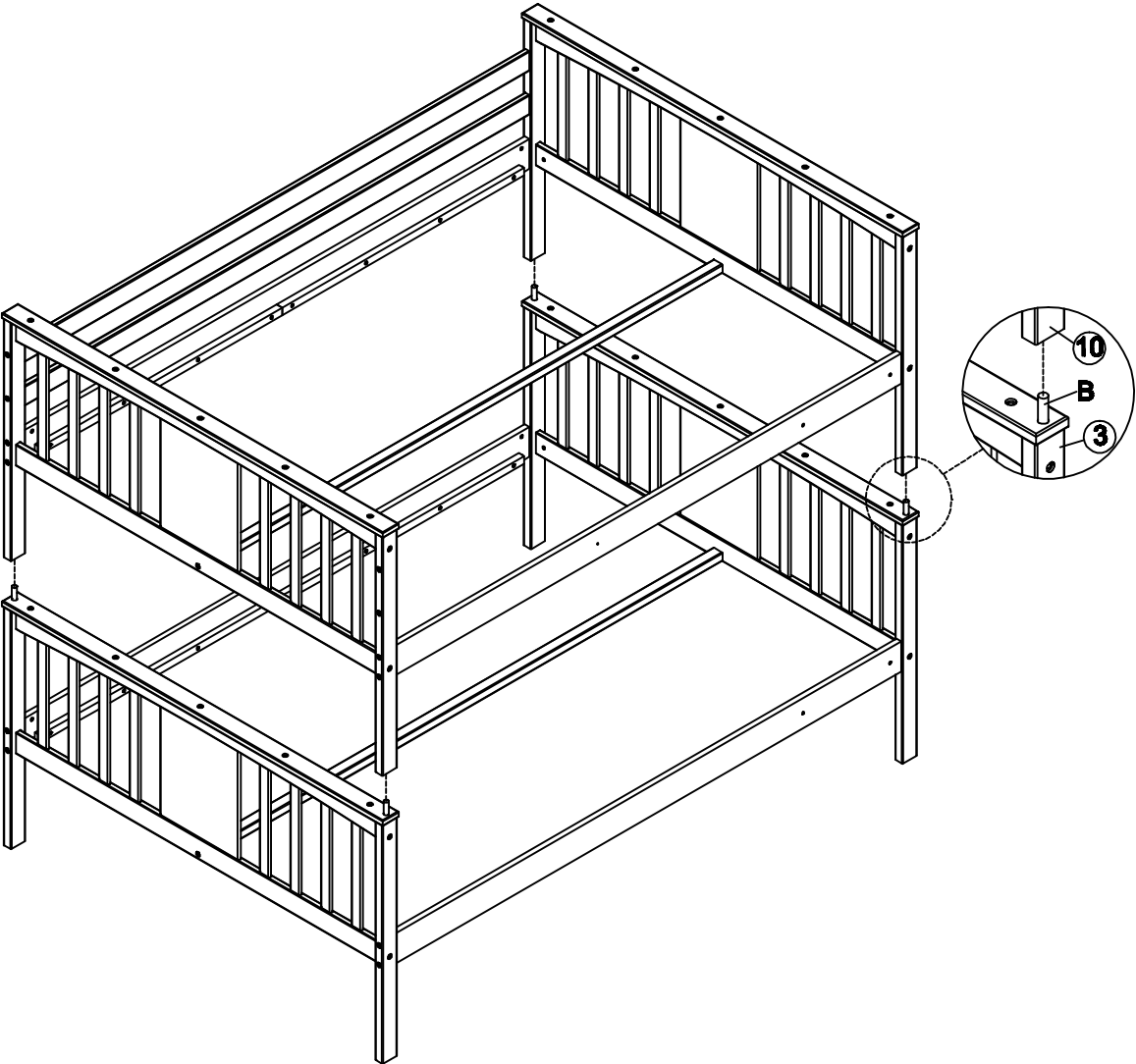
F  Qty **04**

H  Qty **08**

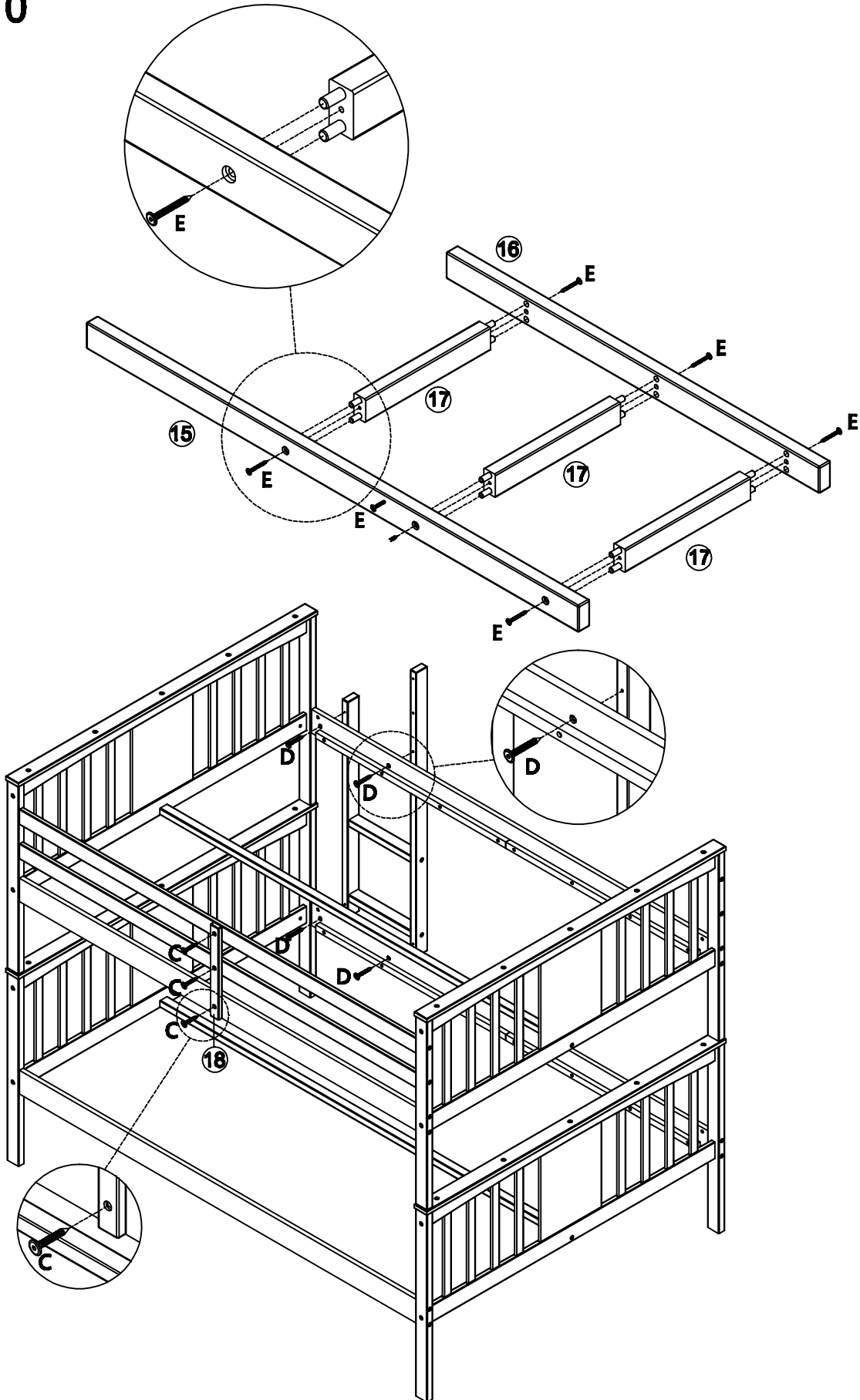
Z  Qty **05**

I  Qty **08**

Step: 9

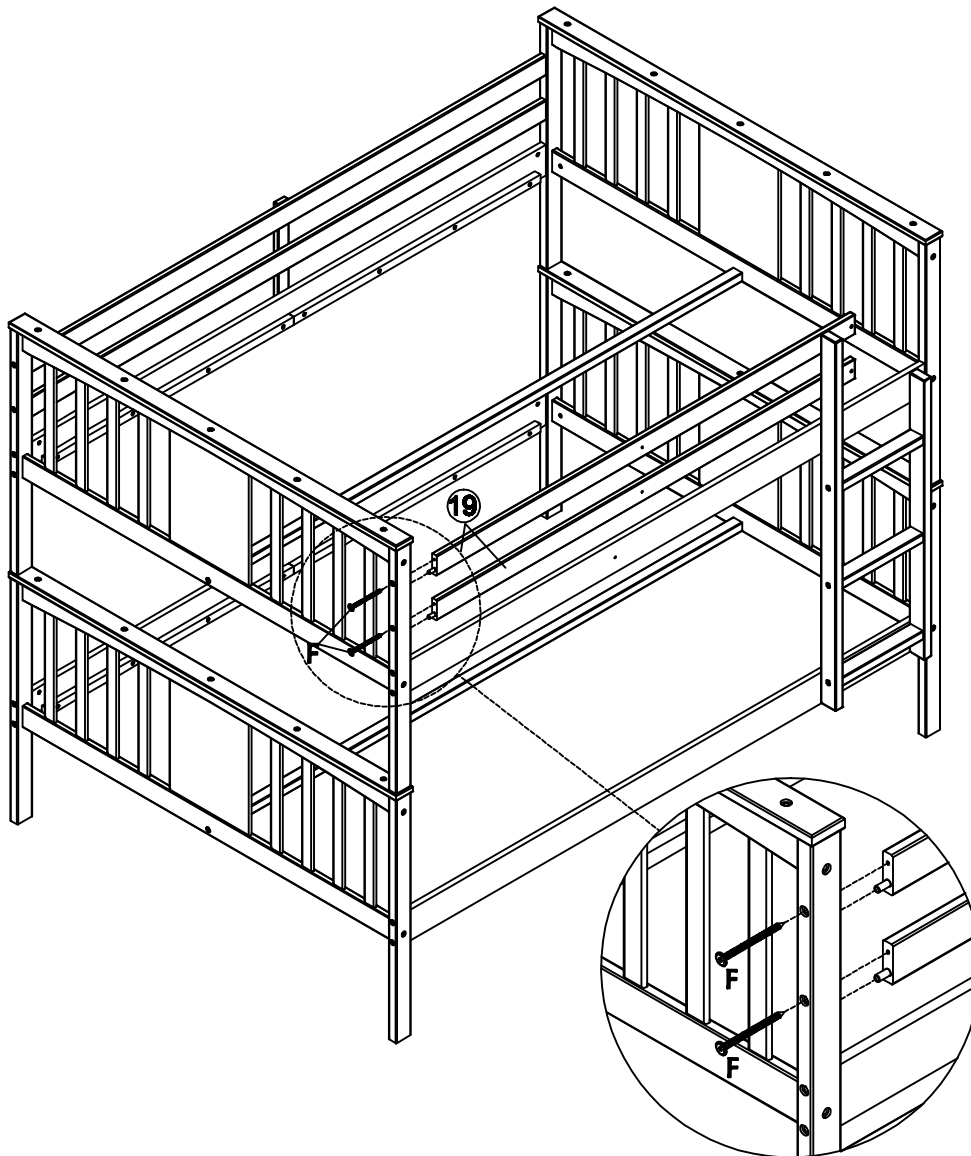



Step: 10




C		Qty 03	D		Qty 04	E		Qty 06	Z		Qty 01
----------	---	------------------	----------	---	------------------	----------	---	------------------	----------	---	------------------

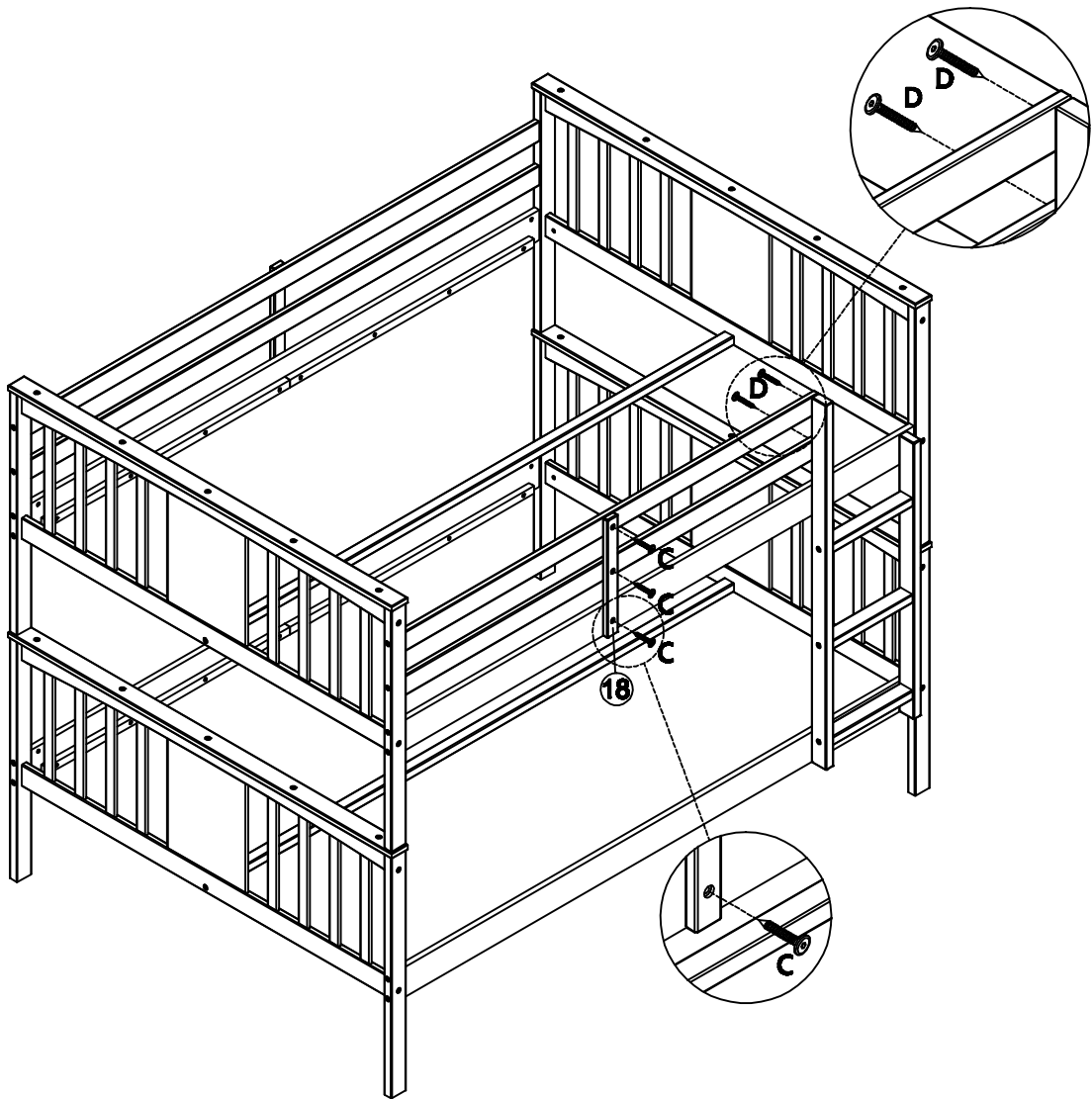
Step: 11





F		Qty 02
----------	--	------------------


Z		Qty 01
----------	---	------------------

Step: 12

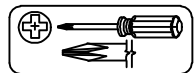
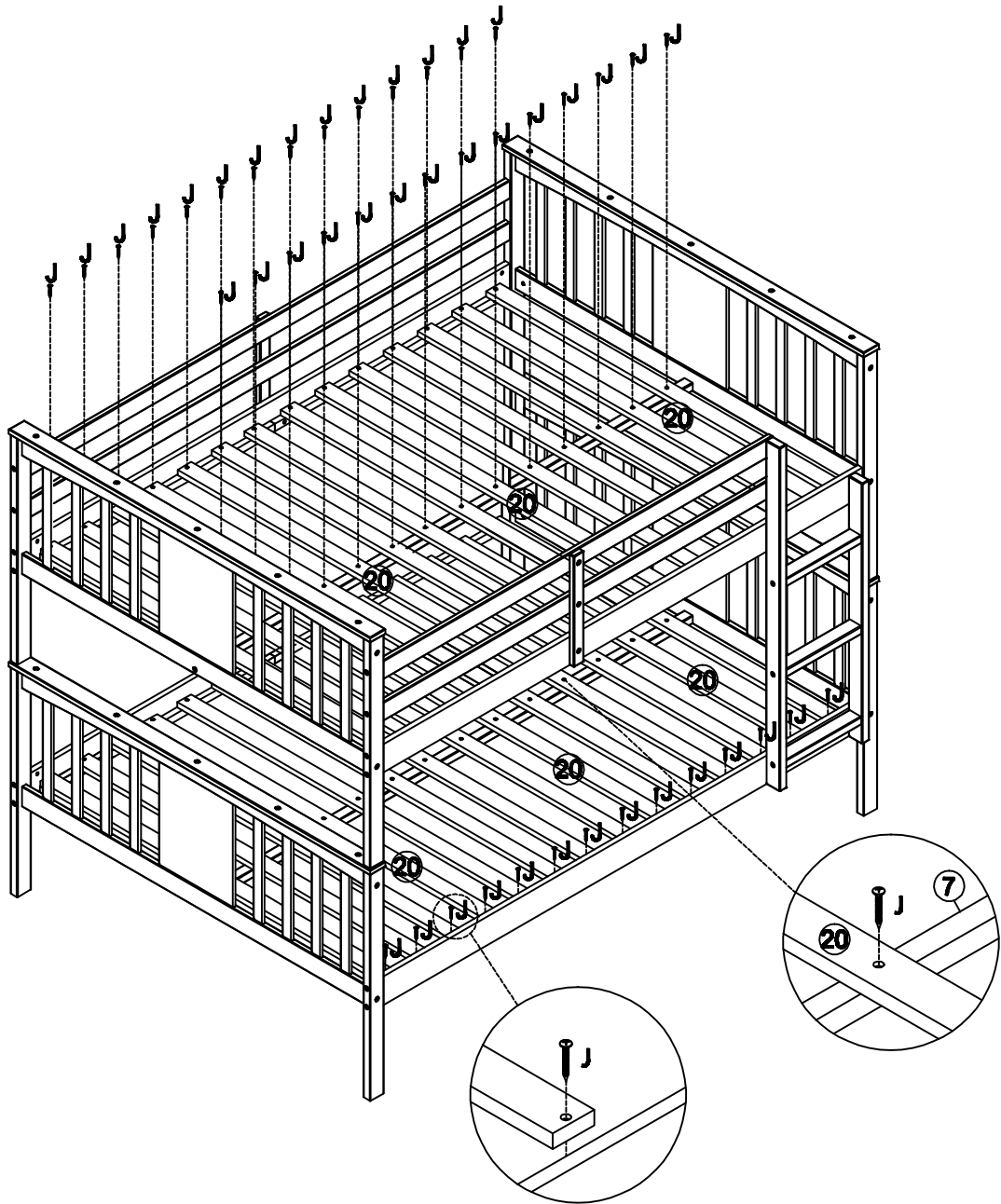



C		Qty 03
----------	---	------------------

D		Qty 02
----------	---	------------------

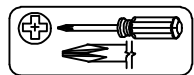
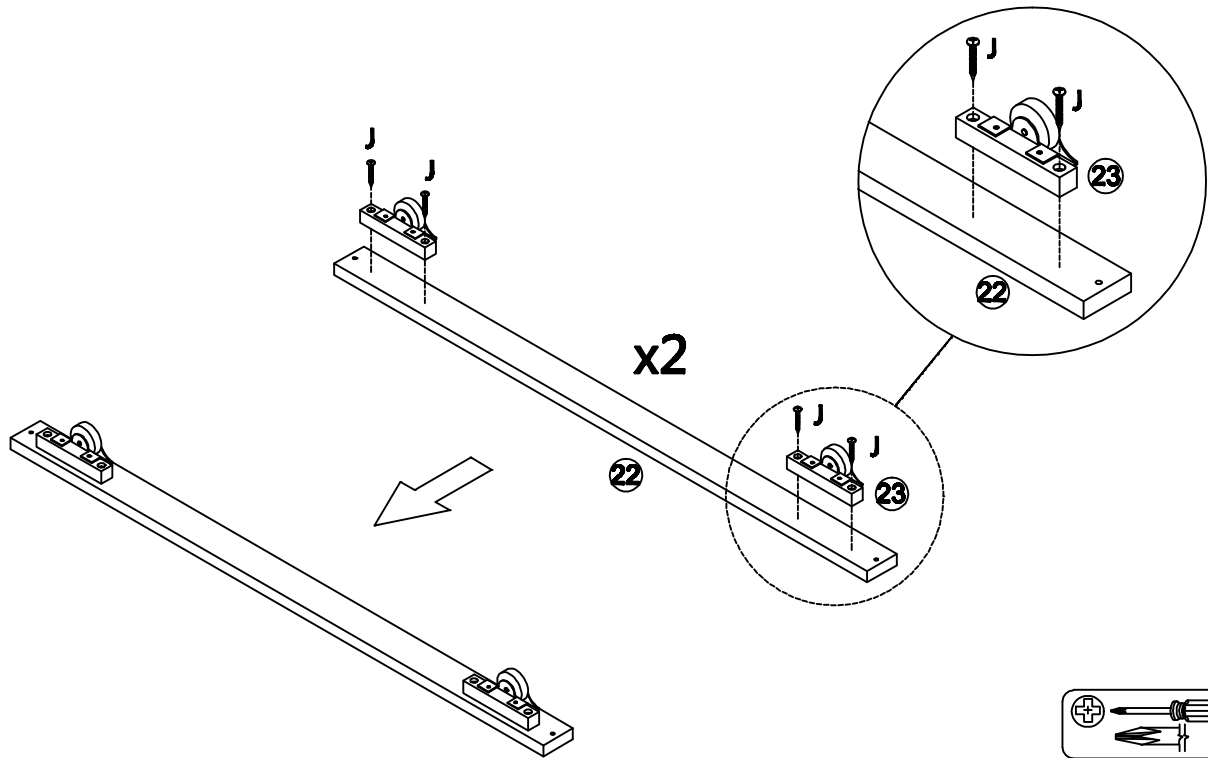
Z		Qty 01
----------	---	------------------


Step: 13



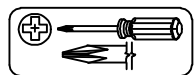
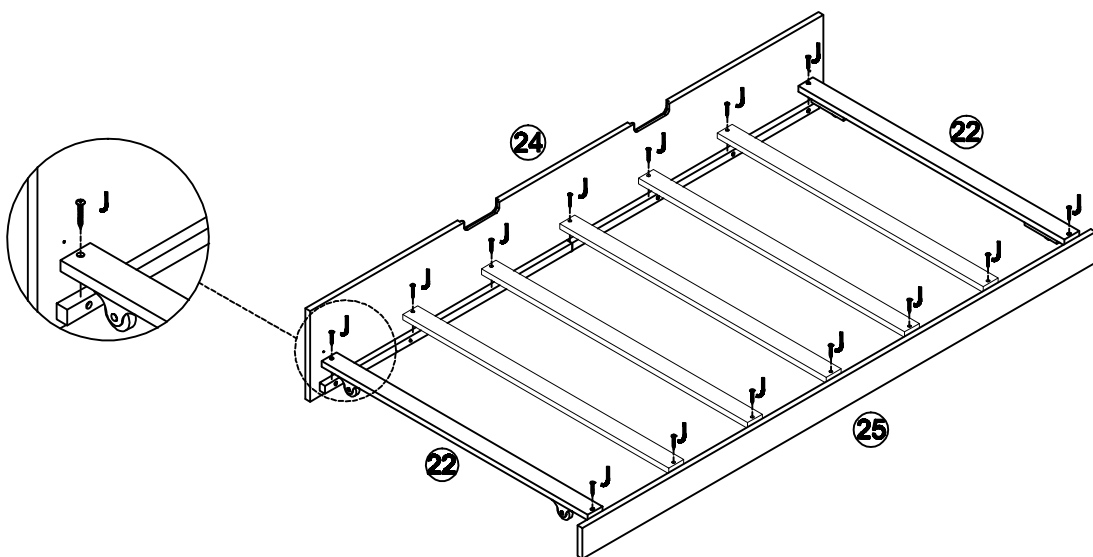
J  Qty **84**


Step: 14



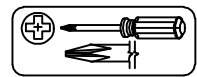
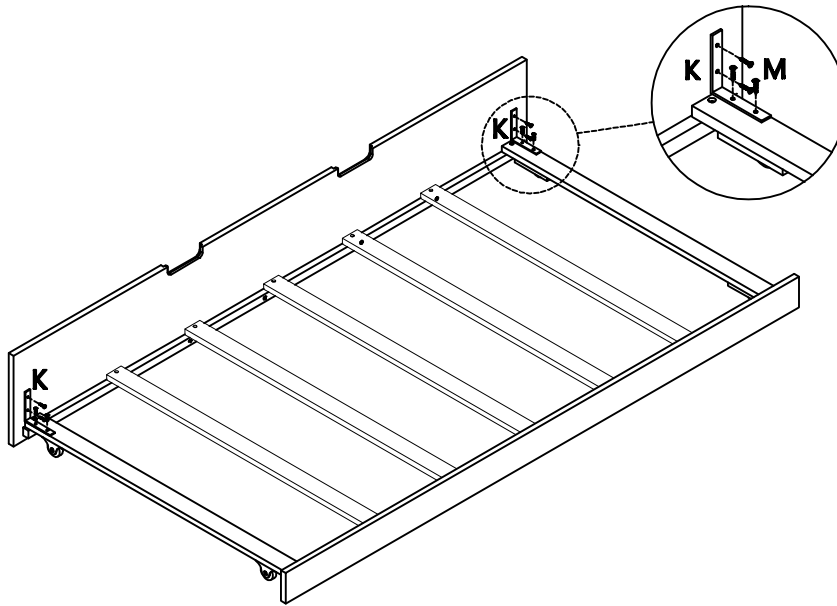
J		Qty 08
---	---	------------------

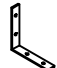
Step: 15




J		Qty 14
---	---	------------------

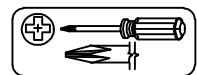
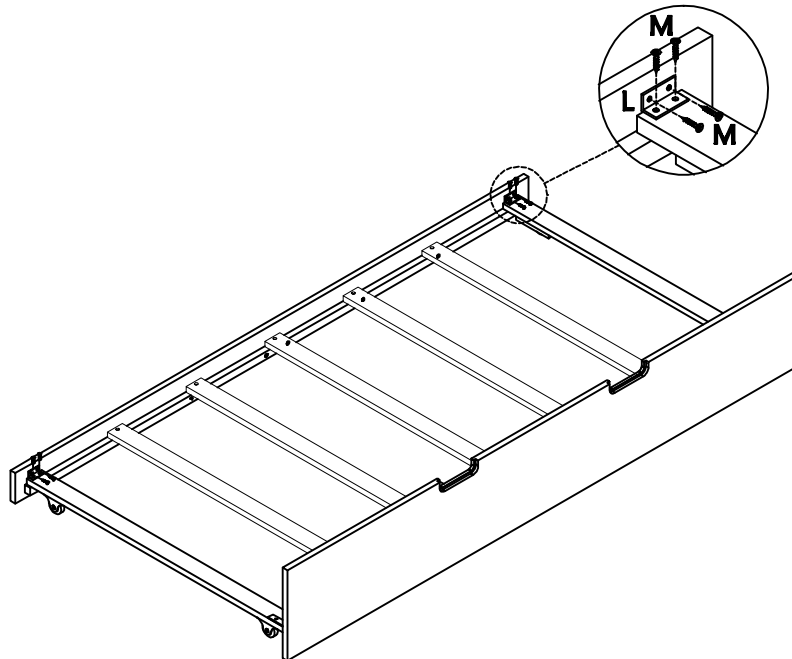
Step: 16





K  Qty **02**

M  Qty **08**

Step: 17



L  Qty **02**

M  Qty **08**

Step: 18

