

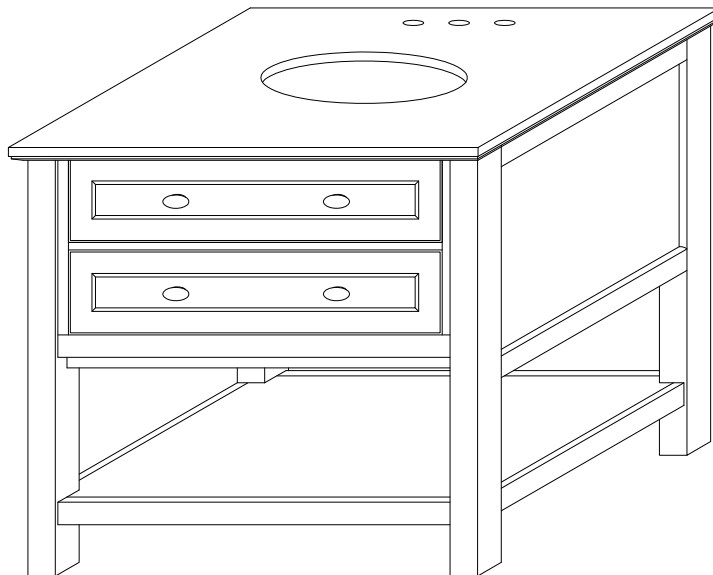
HOME DECORATORS COLLECTION

BF-25193 AUSTELL SINGLE VANITY 35"Hx37"Wx22"D

INV#19391

ASSEMBLY INSTRUCTIONS

Made In China



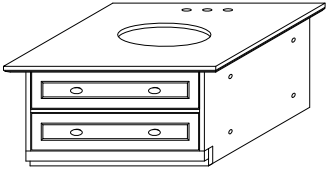
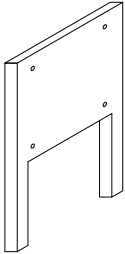


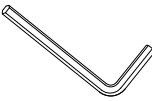
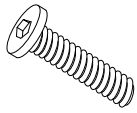
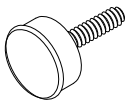
PRODUCT SPECIFICATION:

- NATURAL GRANITE TOP PRE-ASSEMBLED
- (37W x 22D x 35H) INCH
- N. W. : 141LBS G. W. 151LBS

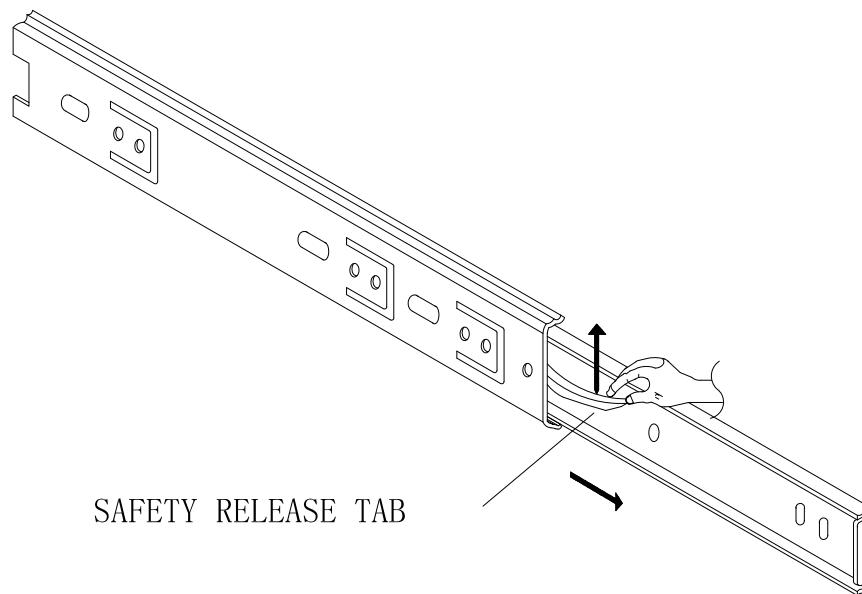
Thank you for purchasing this quality product. Be sure to check all packing material carefully for small parts, which may have come loose inside the carton during shipment. Count all parts and material hardware, then compare with parts list to be sure all parts are present. If any parts are missing or damaged, phone, fax, or mail to our Customer Service Department for efficient and speedy service. Please indicate the model number and code letter of part(s) needed.

IMPORTANT NOTE: Follow instructions listed below in proper sequence as numbered to assure fast, easy and correct assembly.

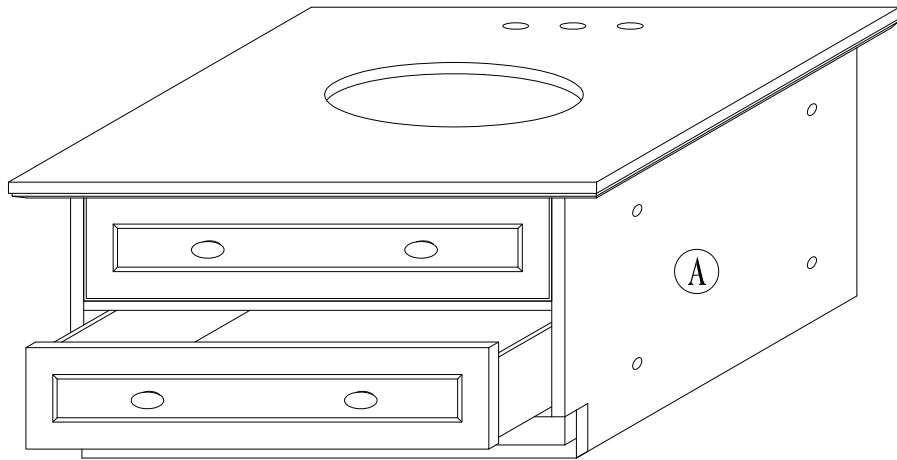
PARTS LIST

<p>A</p>  <p>FRAME-1PC</p>	<p>B</p>  <p>SIDE PANELS-2PCS</p>	<p>C</p>  <p>BOTTOM PANEL-1PC</p>
<p>D</p>  <p>WASHERS-12PCS</p>	<p>E</p>  <p>ALLEN WRENCH-1PC</p>	<p>F</p> <p>13mm × 1-3/4"</p>  <p>BOLTS-12PCS</p>
<p>G</p>  <p>FEET-4PCS</p>		

HOW TO SEPARATE GLIDES



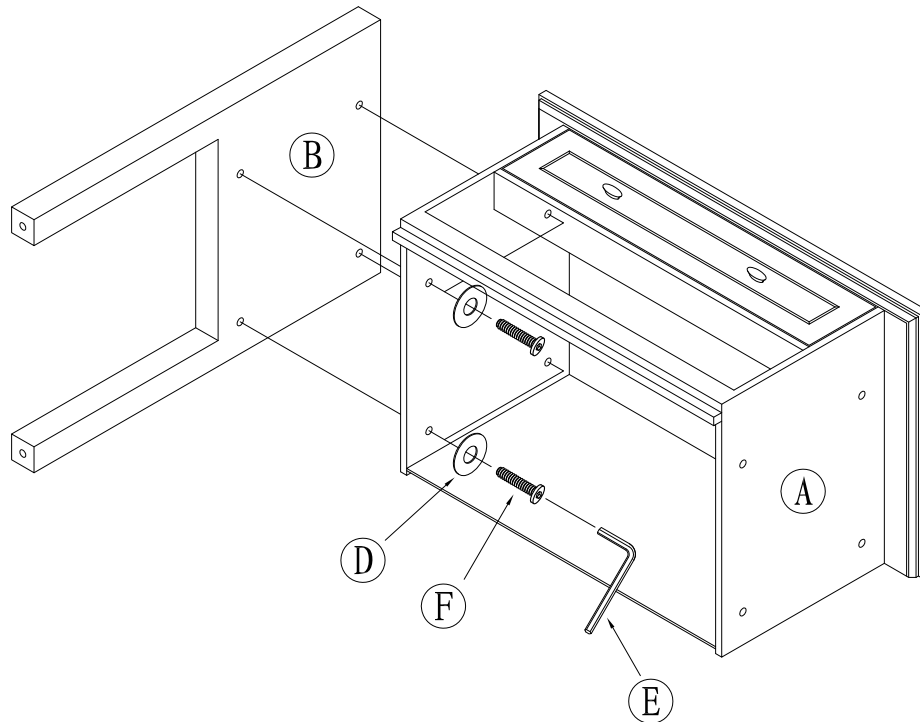
PRIOR TO ASSEMBLY, WE SUGGEST SEPARATING THE INNER GLIDES FROM THE OUTER GLIDES, SIMPLY PULL THE LEFT/RIGHT INNER GLIDES FROM THE OUTER GLIDES EXPOSING A SMALL BLACK SAFETY RELEASE TAB, BY PUSHING THE SAFETY RELEASE TAB. YOU WILL BE ABLE TO SEPARATE THE GLIDE.



1). REMOVE THE DRAWERS.

- REMOVE THE DRAWERS.

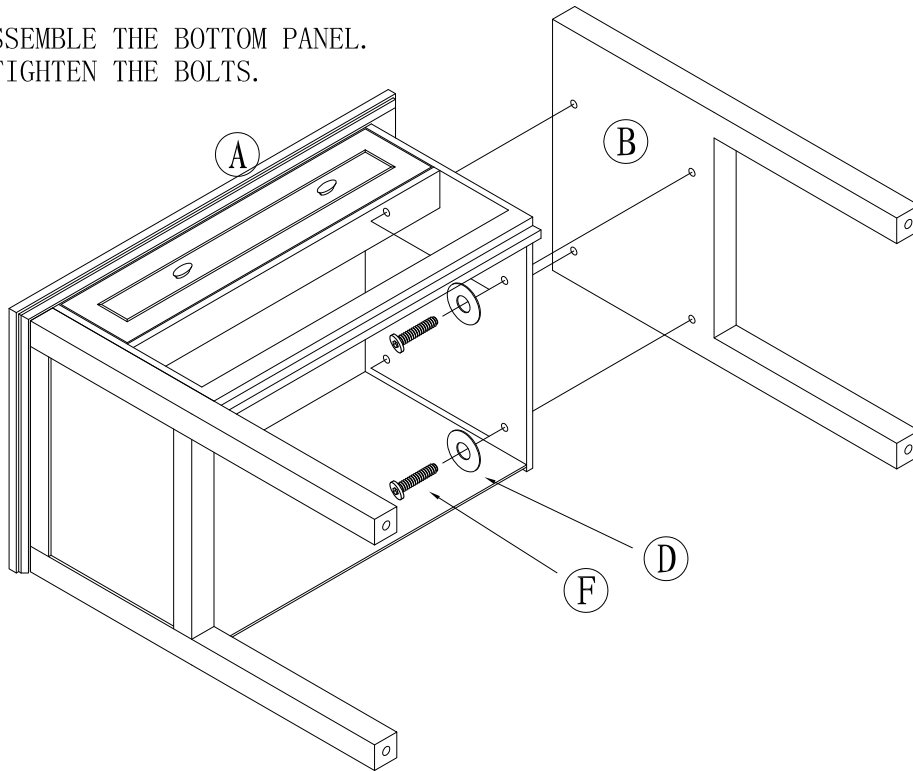
IN ORDER TO ASSEMBLE THE BOTTOM PANEL.
PLEASE DON'T TIGHTEN THE BOLTS.



2). ASSEMBLE THE SIDE PANEL (B).

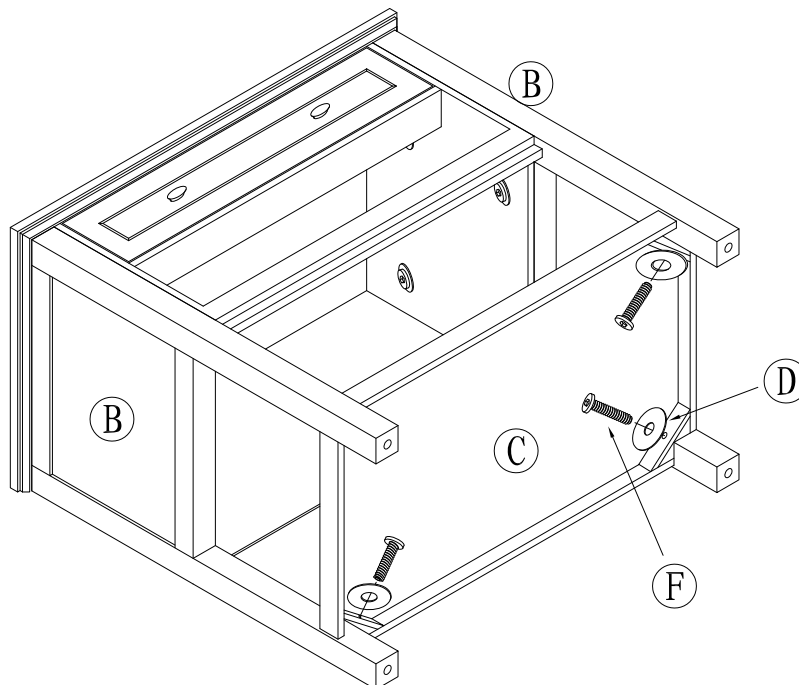
- ATTACH THE SIDE PANEL (B) TO FRAME (A) USING 4 BOLTS (F) AND 4 WASHERS (D).

IN ORDER TO ASSEMBLE THE BOTTOM PANEL.
PLEASE DON'T TIGHTEN THE BOLTS.



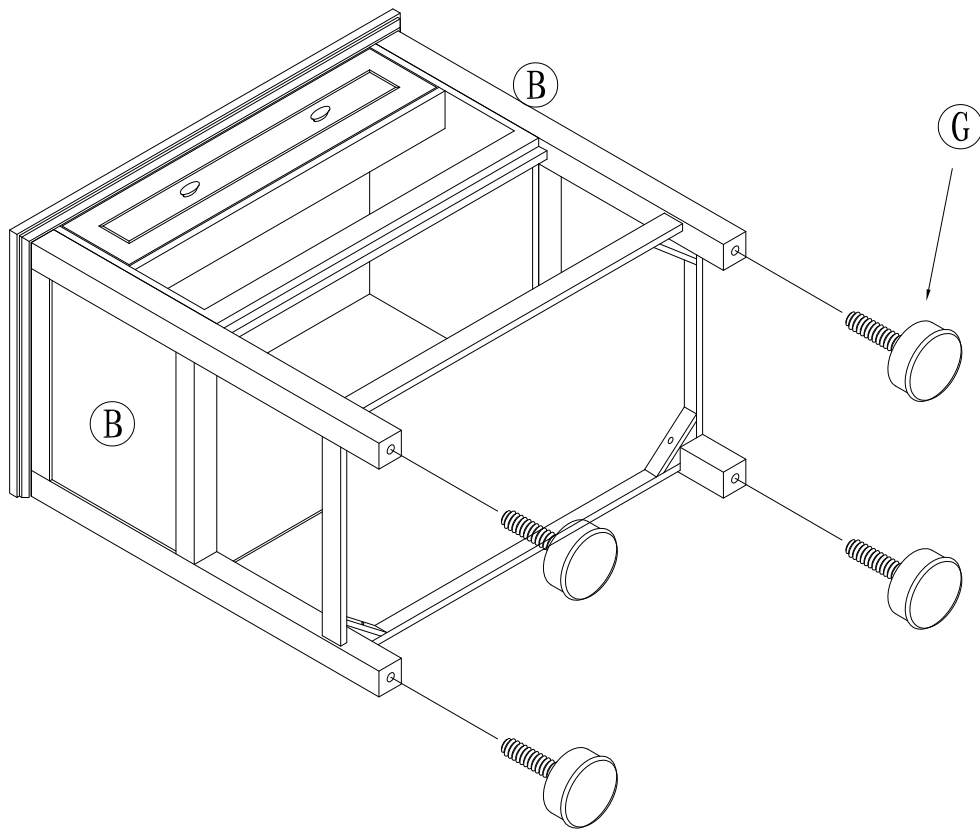
3). ASSEMBLE THE SIDE PANEL (B).

- ATTACH THE SIDE PANEL (B) TO FRAME (A) USING 4 BOLTS (F) AND 4 WASHERS (D).



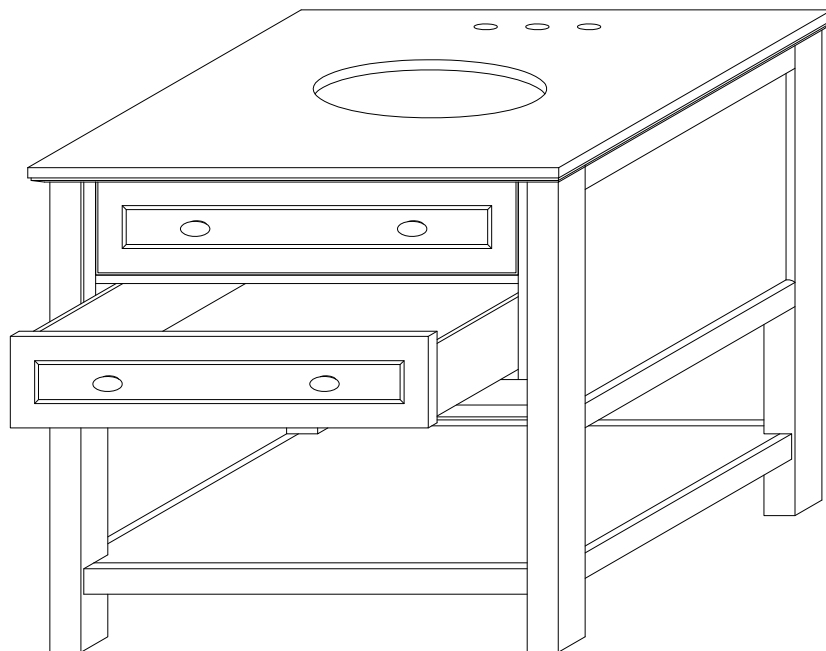
4). ASSEMBLE THE BOTTOM PANEL (C).

- ATTACH THE BOTTOM PANEL (C) TO SIDE PANELS (B) USING 4 BOLTS (F) AND 4 WASHERS (D).
PLEASE TIGHTEN ALL THE BOLTS. ONCE THE BOTTOM PANEL ASSEMBLE.



5). ASSEMBLE THE FEET (G).

- ROTATE THE FEET (G) INTO THE HOLES IN THE SIDE PANELS (B).



6). ASSEMBLE THE DRAWER.

- INSERT THE DRAWER INTO THE SLIDES.