

BOCCHI

CLASSICO 30

APRON FRONT SINGLE
BOWL KITCHEN SINK



Product Code

1138-XXX-0120

FEATURES

- Fine fireclay construction
- Sink is finished on all four sides
- 3-1/2" center drain
- Stainless steel bottom sink rack and chrome strainer included
- Compatible with standard garbage disposal flanges, extenders not required
- Requires a minimum 33 inch wide base cabinet for apron-front sinks
- Requires support frame in cabinetry

Standard Colors

White (001), Biscuit (014)

Premium Colors

Matte White (002), Matte Black (004),
Black (005), Matte Gray (006),
Sapphire Blue (010), Matte Dark Gray (020),
Matte Brown (025)

DIMENSIONS

NOMINAL DIMENSIONS

30"X18"X10"

BOWL INSIDE DIMENSIONS

28 1/2" (723mm) wide
16 1/2" (419mm) front to back
8 1/2" (215mm) depth

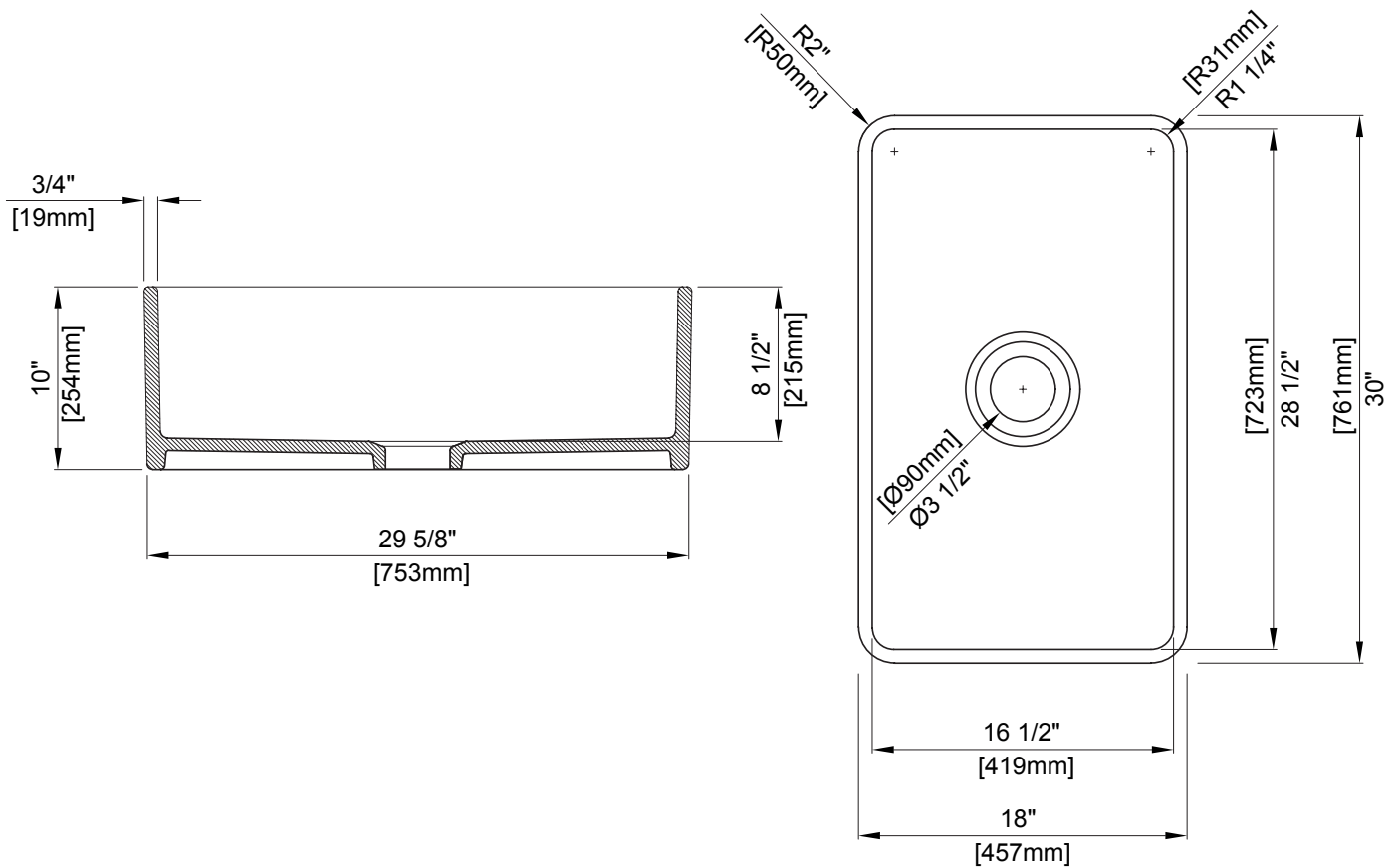
COMPONENTS INCLUDED THE BOX

2300 0015 - 33"X18"X10"
SS SINK RACK - CHROME (1pc)

2330 0001 - SINK STRAINER - CHROME (1pc)

COMPLIANCE CERTIFICATIONS

Meet or Exceeds ASME A112.19.2 / CSA B45.1



NOTES:

Refer to installation instructions supplied with kitchen sink for undermount, countertop or above counter custom installations.

Due to the fireclay process, dimensions may vary. Please use the actual sink that you will be installing in order to determine the cutout dimensions for your countertop.

CAUTION: Sink is heavy! Installer must provide adequate reinforcement for all load-bearing supports in accordance with installation instructions supplied with kitchen sink.

Fittings not included with fixture and must be ordered separately.

IMPORTANT: Dimensions of fixtures are nominal and may vary within the range of tolerance established by ANSI standards. These measurements are subject to change or cancellation. No responsibility is assumed for use of superseded or voided pages.