

# 24" Bar Handle Dishwasher

800 Series – Stainless Steel SHXM88Z75N



**BOSCH**  
Invented for life



**SHXM88Z75N**  
Stainless Steel

**Patented CrystalDry™ technology transforms moisture into heat to get dishes, including plastics, 60% drier.<sup>1</sup>**

## Features & Benefits

40 dBA: dishwasher runs quietly so your kitchen conversations aren't interrupted.

The MyWay® Rack gives you the industry's largest 3rd rack loading capacity<sup>2</sup>, freeing up extra space for pots & pans in the bottom rack.

Touch Control Technology allows for quick cycle programming.

The AquaStop® leak protection system contains leaks through a precisely engineered system. If a leak occurs, the system contains it by shutting down operation and pumping out water. So you have the ultimate peace of mind whether you are away or at home.



## General Properties

|   |                    |
|---|--------------------|
| Number of wash cycles                       | 6                  |
| Number of options                           | 6                  |
| dBA   | 40                 |
| Drying system                               | CrystalDry™ option |
| Third rack                                  | MyWay® Rack        |
| Rack adjustability                          | Rackmatic®         |
| Tub material                                | Stainless Steel    |
| Control type                                | Touch Control      |
| Concealed water heating element             | Yes                |
| Leak protection system                      | 24/7 AquaStop®     |
| NSF®-certified <sup>3</sup> sanitize option | Yes                |
| Water softener                              | No                 |
| Five-level wash                             | Yes                |
| ChildLock                                   | No                 |
| Special features                            | InfoLight®         |

## Efficiency

|                                       |        |
|---------------------------------------|--------|
| Water usage per cycle                 | 3.5    |
| Energy efficiency class               | Tier 1 |
| ENERGY STAR® qualified                | Yes    |
| Total annual energy consumption (kWh) | 269    |
| Total annual water consumption (g)    | 623.5  |

## Capacity

|                          |    |
|--------------------------|----|
| Number of place settings | 16 |
|--------------------------|----|

## Technical Details

|  |                           |
|--|---------------------------|
| Watts (W)  | 1440 W                    |
| Current (A)  | 12 Amps                   |
| Volts (V)  | 120 V                     |
| Frequency (Hz)   | 60 Hz                     |
| Power cord full length   | 67"                       |
| Power cord install length from edge of unit when facing the door (in) <sup>4</sup> | Left – 45"<br>Right – 56" |
| Minimum water pressure (lb/sin)  | 14                        |
| Length outlet hose (in)  | 79"                       |

## Dimensions & Weight

|   |                              |
|---|------------------------------|
| Overall appliance dimensions (HxWxD) (in) | 33 7/8" x 23 9/16" x 23 3/4" |
| Required cutout size (HxWxD) (in)         | 33 7/8" x 23 5/8" x 24"      |
| Adjustable feet                           | Yes                          |
| Net weight (lbs)                          | 116 lbs                      |

## Accessories—Optional

|  |            |
|--|------------|
| Junction Box                                 | SMZPCJB1UC |
| Bosch Dishwasher Water Supply Hose           | SMZSH002UC |
| Drain Hose Extension Kit                     | SGZ1010UC  |
| Dishwasher Accessory Kit                     | SMZ5000    |
| Anti-Tarnish Silverware Cassette             | SMZ5002UC  |
| Edge Protector + Power Cord Clip Install Kit | SMZEPCC1UC |
| MyWay® Large Cutlery Insert                  | SMZ5400    |
| Flexible 3rd Rack                            | SMZCD200UC |



<sup>1</sup>Based on aggregate average drying performance of Bosch Dishwashers with CrystalDry on combined household load including plastics, glass, steel, and porcelain as compared to Bosch Dishwashers with PureDry. Drying performance may vary by dish type.

<sup>2</sup>The industry's largest 3rd rack capacity vs. major brands with a 3rd rack. Major brands defined as TraQline Top 5 Market Share March 2017.

<sup>3</sup>Certification to NSF/ANSI Standard 184 for residential dishwashers.

<sup>4</sup>September 2020 running production change to remove adhesive routing clips for power cord. These clips and the edge protector are now included in the dishwasher accessory kit # SMZEPCC1UC.

**Accessories:** To purchase Bosch accessories, cleaners & parts please visit [www.bosch-home.com/us/store](http://www.bosch-home.com/us/store) or call 1-800-944-2904 (Mon to Fri 5 am to 6 pm PST, Sat 6 am to 3 pm PST).

**Notes:** All height, width and depth dimensions are shown in inches. BSH reserves the absolute and unrestricted right to change product materials and specifications, at any time, without notice. Consult the product's installation instructions for final dimensional data and other details prior to making cutout.

**Warranties:** Please see Use & Care manual or Bosch website for statement of limited warranty.

**For more information on our entire line of products, go to [www.bosch-home.com/us](http://www.bosch-home.com/us) or call 1-800-944-2904**

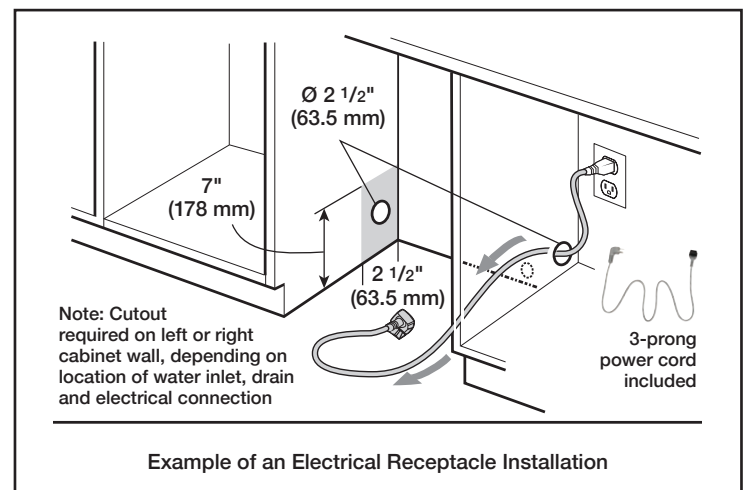
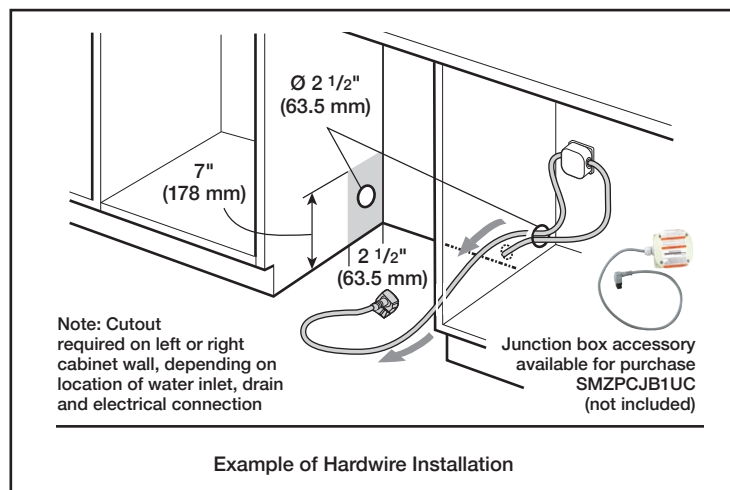
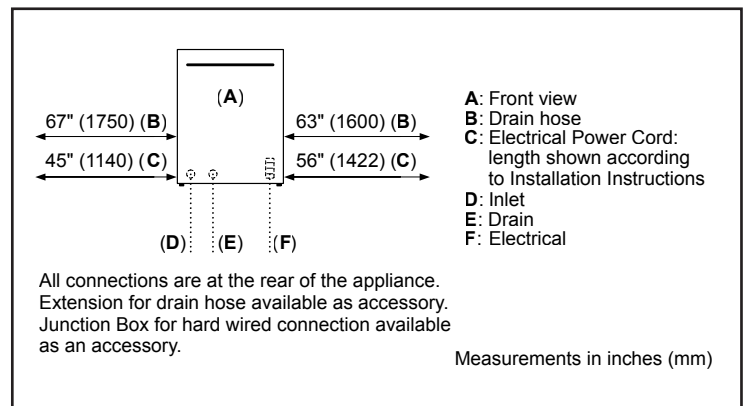
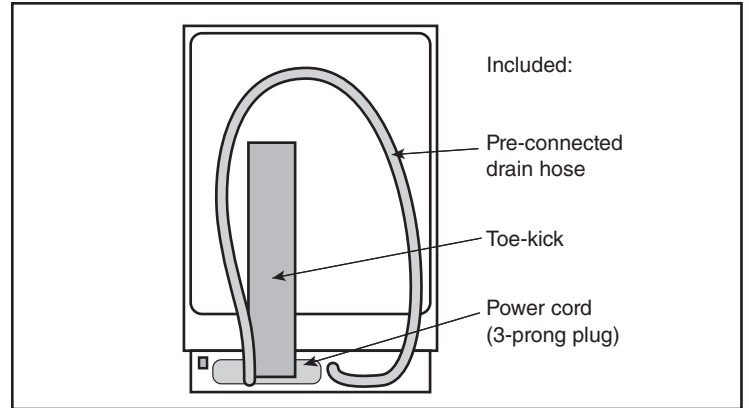
© BSH Home Appliances Corporation. All rights reserved. Bosch is a registered trademark of Robert Bosch GmbH.

# 24" Bar Handle Dishwasher

800 Series – Stainless Steel SHXM88Z75N



## Installation Details



**Accessories:** To purchase Bosch accessories, cleaners & parts please visit [www.bosch-home.com/us/store](http://www.bosch-home.com/us/store) or call 1-800-944-2904 (Mon to Fri 5 am to 6 pm PST, Sat 6 am to 3 pm PST).

**Notes:** All height, width and depth dimensions are shown in inches. BSH reserves the absolute and unrestricted right to change product materials and specifications, at any time, without notice. Consult the product's installation instructions for final dimensional data and other details prior to making cutout.

**Warranties:** Please see Use & Care manual or Bosch website for statement of limited warranty.

**For more information on our entire line of products, go to [www.bosch-home.com/us](http://www.bosch-home.com/us) or call 1-800-944-2904**

© BSH Home Appliances Corporation. All rights reserved. Bosch is a registered trademark of Robert Bosch GmbH.

# 24" Bar Handle Dishwasher

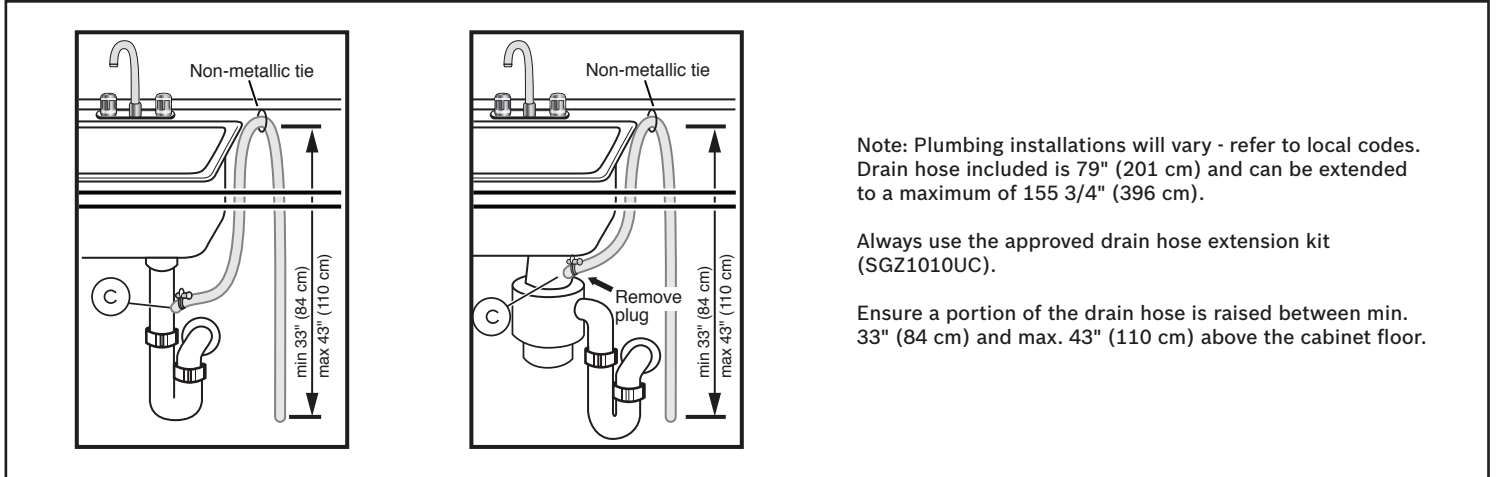
800 Series – Stainless Steel SHXM88Z75N



**BOSCH**

Invented for life

## Installation Details



**Accessories:** To purchase Bosch accessories, cleaners & parts please visit [www.bosch-home.com/us/store](http://www.bosch-home.com/us/store) or call 1-800-944-2904 (Mon to Fri 5 am to 6 pm PST, Sat 6 am to 3 pm PST).

**Notes:** All height, width and depth dimensions are shown in inches. BSH reserves the absolute and unrestricted right to change product materials and specifications, at any time, without notice. Consult the product's installation instructions for final dimensional data and other details prior to making cutout.

**Warranties:** Please see Use & Care manual or Bosch website for statement of limited warranty.

**For more information on our entire line of products, go to [www.bosch-home.com/us](http://www.bosch-home.com/us) or call 1-800-944-2904**

© BSH Home Appliances Corporation. All rights reserved. Bosch is a registered trademark of Robert Bosch GmbH.