



# ARISTON



## Electric Tankless Water Heaters

## Chauffe-eau électrique Instantané

## Calentador de agua electrico instantaneo

### **WARNING**

This manual must only be used by a qualified installer / service technician. Read all instructions in this manual before installing. Perform steps in the given order. Failure to do so could result in substantial property damage, severe personal injury, or death.

California Proposition 65 Warning: This product contains chemicals known to the State of California to cause cancer, birth defects, or other reproductive harm.

### **NOTICE**

The manufacturer reserves the right to make product changes or updates without notice and will not be held liable for typographical errors in literature.

The surfaces of these products contacted by potable (consumable) water contain less than 0.25% lead by weight as required by the Safe Drinking Water Act, Section 1417, and are certified as such by IAPMO.

**NOTE TO CONSUMER: PLEASE KEEP ALL INSTRUCTIONS FOR FUTURE REFERENCE.**

### **AVERTISSEMENT**

Ce manuel doit être utilisé uniquement par un installateur / technicien de maintenance qualifié. Veuillez lire toutes les instructions de ce manuel avant l'installation. Réalisez les différentes étapes dans l'ordre indiqué. Dans le cas contraire, vous pourriez vous exposer à des dommages matériels considérables, des blessures personnelles graves ou la mort.

Avertissement relatif à la Proposition 65 de l'État de Californie : ce produit contient des produits chimiques connus dans l'État de Californie comme susceptibles de causer des cancers, des anomalies congénitales et d'autres troubles de la reproduction.

### **REMARQUE**

Le fabricant se réserve le droit d'apporter des modifications ou des mises à jour au produit sans aucun préavis et ne pourra être tenu pour responsables des erreurs typographiques présentes dans la documentation.

Les surfaces de ces produits en contact avec l'eau potable (consommable) contiennent moins de 0,25 % de plomb en poids, comme l'exige la loi Safe Drinking Water Act, Section 1417, et sont certifiées en ce sens par l'IAPMO.

**NOTE À DESTINATION CONSOMMATEUR : VEUILLEZ CONSERVER TOUTES LES INSTRUCTIONS AFIN DE POUVOIR LES CONSULTER ULTÉRIEUREMENT.**

### **ADVERTENCIA**

Este manual solo debe ser utilizado por un técnico de servicio/instalador cualificado. Lea las instrucciones de este manual antes de instalar el aparato. Siga los pasos en el orden establecido. De lo contrario, puede causar daños importantes en la propiedad, lesiones graves o incluso la muerte.

Proposición 65 de California - Advertencia: El estado de California tiene conocimiento de que este producto contiene sustancias químicas que producen cáncer, defectos congénitos u otros daños reproductivos.

### **AVISO**

El fabricante se reserva el derecho de realizar cambios o actualizaciones en el producto sin previo aviso y no será responsable de los errores tipográficos que haya en el manual.

Las superficies de estos productos que entra en contacto el agua potable (consumible), contienen menos de 0.25 % de plomo en peso, tal y como lo exige la ley de agua potable, sección 1417 y están certificadas como tales por IAPMO.

**NOTA PARA EL CONSUMIDOR: GUARDE LAS INSTRUCCIONES PARA FUTURAS CONSULTAS.**

## SPECIAL ATTENTION BOXES

The following defined terms are used throughout this manual to bring attention to the presence of hazards of various risk levels or to important product information.



### DANGER

**DANGER** indicates an imminently hazardous situation which, if not avoided, will result in serious personal injury or death.



### WARNING

**WARNING** indicates a potentially hazardous situation which, if not avoided, could result in personal injury or death.



### CAUTION

**CAUTION** indicates a potentially hazardous situation which, if not avoided, may result in moderate or minor personal injury.

### CAUTION

**CAUTION used without the safety alert symbol** indicates a potentially hazardous situation which, if not avoided, may result in property damage.

### NOTICE

**NOTICE** is used to address practices not related to personal injury.

### Foreword

This manual is intended to be used in conjunction with other literature provided with the water heater. This includes all related control information. It is important that this manual, all other documents included in this system, and additional publications be reviewed in their entirety before beginning any work.

Installation should be made in accordance with the regulations of the Authority Having Jurisdiction, local code authorities, and utility companies which pertain to this type of water heating equipment.

Authority Having Jurisdiction (AHJ) – The AHJ may be a federal, state, local government, or individual such as a fire chief, fire marshal, chief of a fire prevention bureau, labor department or health department, building official or electrical inspector, or others having statutory authority. In some circumstances, the property owner or his/her agent assumes the role, and at government installations, the commanding officer or departmental official may be the AHJ.

**NOTE:** The manufacturer reserves the right to modify product technical specifications and components without prior notice.

### For the Installer

This water heater must be installed by qualified and licensed personnel. The installer should be guided by the instructions furnished with the water heater, and by local codes and utility company requirements.

#### Installations Must Comply With:

Local, state, provincial, and national codes, laws, regulations, and ordinances.

The latest version of the *National Electrical Code, NFPA No. 70*.

#### Table of Contents

<b>Part 1 - General Safety Information</b>	<b>3 Part 4 - Electrical Connection</b>	<b>10</b>
A. When Servicing the Water Heating System	<b>4 Part 5 - Installation Checklist</b>	<b>12</b>
B. Heater Water	<b>4 Part 6 - Operation</b>	<b>12</b>
C. Freeze Protection	4 A. Starting and Testing	12
D. Water Temperature Adjustment	4 B. Thermostat Adjustment	12
<b>Part 2 - Prepare the Water Heater</b>	<b>5 Part 7 - Maintenance</b>	<b>12</b>
A. Model Overview	5 A. Removing the Cover	13
B. Locating the Water Heater	5 B. Draining the Heater	13
C. Water Chemistry Requirements	6 C. Removing the Heating Element	13
D. Technical Specifications and Dimensions	7 D. Descaling the Heating Element	13
<b>Part 3 - Installation Instructions</b>	<b>7 Part 8 - Troubleshooting</b>	<b>13</b>
A. Wall Mounting the Water Heater	7 A. Resetting the High Limit Switches	14
B. Plumbing	9 B. Checking Thermostat Operation	14
C. Pressure Relief Device (PRD)	9 C. Changing the Heating Element	15
D. Scalding	9 D. Changing the Thermostat	15
E. Filling the Heater	<b>10 Part 9 - Replacement Parts</b>	<b>15</b>
F. Aerator Installation (3kW Models ONLY)	10 Limited Warranty	17
	Customer Installation Record Form	19

## ⚠ WARNING

### IMPORTANT SAFETY INSTRUCTIONS

When using electrical appliances, basic safety precautions to reduce the risk of fire, electric shock, or injury to persons should be followed, including:

1. READ ALL INSTRUCTIONS BEFORE USING THIS WATER HEATER.
2. This water heater must be grounded.
3. Install or locate this water heater only in accordance with the provided installation instructions.
4. Use this water heater only for its intended use as described in this manual.
5. For power supply connection use the correct AWG wires or larger, suitable for at least 194°F (90°C).
6. The heater must be connected to a dedicated circuit breaker on the main electrical panel.
7. The plumbing installation must be completed before the electrical installation.
8. The plumbing installation requires metal pipes or reinforced hoses that can withstand pressure up to 116 psi.
9. The included pressure relief device (PRD) must be installed at the inlet of the water supply line.
10. To ensure proper operation, the water supply flow rate must be at least 0.55 gpm.
11. Do not install the heater where it may be subjected to direct sunlight, rain, splashing water, or freezing temperatures.
12. Before connecting the unit to a public power network, consult the local power supply authority to ensure the power network meets the stated requirements.
13. Do not operate this water heater if it has damaged wiring, if it is not working properly, or if it has been damaged or dropped.
14. This water heater should be serviced only by qualified service personnel. Contact the water heater installer or a qualified service agency for examination, repair, or adjustment.

### SAVE THESE INSTRUCTIONS

## Part 1 - General Safety Information

This water heater is approved for indoor installations only and is not intended for use as a pool heater. Heater must have room for service: 24" front, 6" top, 24" left side, 6" right side, and 12" bottom are minimum recommended service clearances. In addition, install the water heater a minimum of 18" above the ground. (A combustible door or removable panel is acceptable front clearance.) This water heater has been approved for closet installation. Install the water heater in a location where a leak will not result in damage to the surrounding area. If such a location is not available, install an auxiliary drain pan.

## ⚠ WARNING

**Installer** - Read all instructions in this manual before installing. Perform steps in the given order.

**User** - This manual is for use only by a qualified heating installer / service technician. Have this water heater serviced / inspected annually by a qualified service technician.

**FAILURE TO ADHERE TO THE GUIDELINES ON THIS PAGE CAN RESULT IN SUBSTANTIAL PROPERTY DAMAGE, SEVERE PERSONAL INJURY, OR DEATH.**

**NOTE:** If the water heater is exposed to the following, do not operate. Immediately call a qualified service technician.

1. Fire
2. Damage
3. Water

Failure to follow this information could result in property damage, severe personal injury, or death.

**NOTE:** Obey all local codes. Obtain all applicable permits before installing the water heater.

**NOTE:** Install all system components and piping in such a manner that does not reduce the performance of any fire rated assembly.

**DO NOT USE THIS WATER HEATER IF ANY PART HAS BEEN SUBMERGED IN WATER.** Immediately call a qualified service technician. The water heater **MUST BE** replaced if it has been submerged. Attempting to operate a water heater that has been submerged could create numerous harmful conditions, such as a potential gas leakage causing a fire and/or explosion, or the release of mold, bacteria, or other harmful particulates into the air. Operating a previously submerged water heater could result in property damage, severe personal injury, or death.

**NOTE:** Water heater damage due to flood or submersion is considered an Act of God, and IS NOT covered under product warranty.

The manufacturer cannot be responsible for damages caused by improper installation or by failure to follow the instructions in this manual.

**CAUTION**

Do not use this water heater for anything other than its intended purpose (as described in this manual). Doing so could result in property damage and WILL VOID product warranty.

High heat sources (sources generating heat 100°F / 37°C or greater, such as stove pipes, space heaters, etc.) may damage plastic components of the water heater as well as plastic vent pipe materials. Such damages ARE NOT covered by warranty. It is recommended to keep a minimum clearance of 8" from high heat sources. Observe heat source manufacturer instructions, as well as local, state, provincial, and national codes, laws, regulations and ordinances when installing this water heater and related components near high heat sources.

**A. When Servicing the Water Heating System**

**WARNING**

Be sure to disconnect electrical power before performing service. Failure to do so could result in electrical shock, property damage, serious personal injury, or death.

To avoid electric shock, disconnect electrical supply before performing maintenance.

**NOTE:** When inquiring about service or troubleshooting, reference the model and serial numbers from the water heater rating label.

To avoid severe burns, allow water heater and associated equipment to cool before servicing.

**B. Heater Water**

Do not use petroleum-based cleaning or sealing compounds in a water heating system. Gaskets and seals in the system may be damaged. This can result in substantial property damage.

Do not use "homemade cures" or "patent medicines". Damage to the water heater, substantial property damage, and/or serious personal injury may result.

**C. Freeze Protection**

**NOTE:** Consider piping and installation when determining heater location.

**WARNING**

Failure of the water heater due to freeze related damage IS NOT covered by product warranty.

**CAUTION**

NEVER use any toxic chemical, including automotive, standard glycol antifreeze, or ethylene glycol made for hydronic (non-potable) systems. These chemicals can attack gaskets and seals in water systems, are poisonous if consumed, and can cause personal injury or death.

If the ambient temperature falls below 32°F (0°C), protect the heater from potential damage by shutting off power to the unit by means of the dedicated circuit breaker on the main electrical panel. Open a faucet slightly to cause water to flow continuously through the device at a very low rate, without heating. Restore power to the unit when temperature conditions allow.

If the water freezes inside the unit, it can cause damage that is not covered by warranty. If you suspect water has frozen within the unit, do not turn it on until you are certain the frozen water has melted and there are no leaks in the unit. It is recommended to contact a qualified electrician or customer service in this situation.

**D. Water Temperature Adjustment**

The water heater thermostat has been set at a temperature equal to or below 131°F (55°C). See Figure 1. If the water heater is going to have a set temperature above 120°F, it is recommended to use an ASSE 1017 rated mixing valve to avoid severe burns or death from scalding temperatures.



**Figure 1 - Thermostat**

**NOTE:** After adjusting the water temperature at the thermostat, use a thermometer to measure the water temperature at a hot water outlet in the structure. The recommended temperature setting is 118°F.

Approximate Time / Temperature Relationships in Scalds	
120°F	More than 5 minutes
125°F	1 1/2 to 2 minutes
130°F	About 30 seconds
135°F	About 10 seconds
140°F	Less than 5 seconds
145°F	Less than 3 seconds
150°F	About 1 1/2 seconds
155°F	About 1 second

**Table 1 - Approx. Time / Temperature Relationships in Scalds**

## WARNING

Households with small children, disabled, or elderly persons may require a 120°F or lower temperature setting to prevent severe personal injury or death due to scalding.

### Part 2 - Prepare the Water Heater

Remove all sides of the shipping crate to allow the heater to be moved into its installation location.

## NOTICE

**UNCRATING THE WATER HEATER** - Any claims for damage or shortage in shipment must be filed immediately against the transportation company by the consignee.

## CAUTION

**COLD WEATHER HANDLING** - If the water heater has been stored in a very cold location (BELOW 0°F) before installation, handle with care until the components come to room temperature. Failure to do so could result in damage to the water heater.

#### A. Model Overview

The following figures detail specific water heater model components. Some components may ship factory installed. This depends on water heater model.

#### B. Locating the Water Heater

## WARNING

This water heater is certified for indoor use only. **DO NOT INSTALL OUTDOORS.** Outdoor installations ARE NOT covered by warranty. Failure to install the water heater indoors could result in property damage, severe personal injury, or death.

## CAUTION

All water heaters eventually leak. Locate the water heater where any leakage from the relief valve, related piping, tank, or connections will not result in damage to surrounding areas or lower floors of the building. Any water heater should be installed in such a manner that if it should leak the resulting flow of water will not cause damage to the area in which it is installed. National Plumbing codes require a drain pan for any water heater installation. Failure to install one is the sole responsibility of owner and/or installer. Reference UPC 2000 (Uniform Plumbing Code) Section 510 - Protection from Damage or IPC 200 (International Plumbing code) Section 504 - Safety Devices. Leakage damages ARE NOT covered by warranty.

In addition, water leak detection devices and automatic water shutoff valves are readily available at plumbing supply houses. **IT IS HIGHLY RECOMMENDED BY THE MANUFACTURER TO INSTALL WATER LEAK DETECTION DEVICES AND AUTOMATIC SHUTOFF VALVES IN ANY WATER HEATER INSTALLATION WHERE A LEAKAGE OF WATER COULD RESULT IN PROPERTY DAMAGES.**

##### 1. Installation Area (Mechanical Room) Operating Conditions

- Ensure ambient temperatures are higher than 32°F / 0°C and lower than 104°F / 40°C
- Avoid continuously high levels of humidity
- Never close existing ventilation openings

**NOTE:** When installing in a zero clearance location, it may not be possible to read or view some product labeling. It is recommended to make note of the water heater model and serial number.

**NOTE:** A combustible door or removable panel is acceptable front clearance.

**NOTE:** Keep water heater and hot outlet piping securely out of the reach of children to prevent tampering with the controls or contact with an extremely hot pipe.

## CAUTION

The service life of the water heater's exposed metallic surfaces, such as the junction box, is directly influenced by proximity to damp and salty marine environments. In such areas higher concentration levels of chlorides from sea spray coupled with relative humidity can lead to degradation of water heater components and cause premature water heater failure. Such failures ARE NOT covered by warranty.

Failure of the water heater or components due to incorrect operating conditions IS NOT covered by product warranty.

## WARNING

Incorrect ambient conditions can lead to damage to the heating system and put safe operation at risk. Ensure that the installation location adheres to the information included in this manual. Failure to do so could result in property damage, serious personal injury, or death.

2. Choose a location for the water heater as centralized to the piping and electrical system as possible. Also, locate the water heater and domestic water piping where it will not be exposed to freezing temperatures. All piping should be insulated. Additionally, place the water heater so that the drain, controls, and inlets/outlets are easily accessible.

**NOTE:** To save on heating costs and improve energy efficiency keep the distance between the water heater and fixtures to a minimum to reduce heat loss from excess piping and keep friction loss at a minimum. Ensure all water heater piping is properly insulated to minimize heat loss.

**NOTE:** If you do not provide the minimum recommended service clearances it might not be possible to service the water heater without removing it from the space.

**NOTE:** In the State of California, the water heater must be braced, anchored, or strapped to avoid moving during an earthquake. Contact local utilities for code requirements in your area. Visit <http://www.dsa.dgs.ca.gov> or call 1-916-445-8100 and request instructions.

3. Check area around water heater. Remove any combustible materials, gasoline, and other flammable liquids.

 **DANGER**

This water heater must not be located near flammable liquids such as gasoline, butane, liquefied propane, adhesives, solvents, paint thinners, etc., as the controls of this water heater could ignite these vapors and cause an explosion resulting in property damage, severe personal injury, or death.

 **WARNING**

This water heater must be installed upright in the vertical position as described in this manual. DO NOT attempt to install this water heater in any other orientation. Doing so will result in improper water heater operation and property damage, and could result in serious personal injury or death.

4. If the water heater is to replace an existing water heater, check for and correct any existing system problems such as:

- System leaks
- Location that could cause the system and water heater to freeze and leak

5. This water heater must be installed vertical on a level surface.

**C. Water Chemistry Requirements**

**CAUTION**

Chemical imbalance of the water supply may affect efficiency and cause severe damage to the appliance and associated equipment. Water quality must be professionally analyzed to determine whether it is necessary to treat the water. Various solutions are available to adjust water quality. Adverse water quality will affect the reliability of the system. In addition, operating temperatures above 135°F will accelerate the build-up of lime scale and possibly shorten appliance service life. Failure of an appliance due to lime scale build-up, low pH, or other chemical imbalance IS NOT covered by the warranty.

The water must be potable, free of corrosive chemicals, sand, dirt, and other contaminants, and meet the manufacturer's requirements. It is up to the installer to ensure the water does not contain corrosive chemicals or elements that can damage the heat exchanger. Potable water is defined as drinkable water supplied from utility or well water in compliance with EPA secondary maximum contaminant levels (40 CFR Part 143.3). If the water contains contaminants higher than outlined by the EPA and the manufacturer, water treatment is recommended and additional, more frequent maintenance may be required. If you suspect that your water is contaminated in any way, discontinue use of the appliance and contact an authorized technician or licensed professional.

<b>Water Chemistry Requirements</b>			
<b>pH</b>	6.5 - 8.5	<b>Chloride</b>	Less than 250 mg/L
<b>Total Dissolved Solids (TDS)</b>	Less than 500 mg/L	<b>Copper</b>	Less than 1.0 mg/L
<b>Free CO2</b>		<b>Iron</b>	Less than 0.3 mg/L
<b>Total Hardness</b>	Less than 200 mg/L	<b>Manganese</b>	Less than 0.05 mg/L
<b>Aluminum</b>	Less than 0.2 mg/L	<b>Zinc</b>	Less than 5 mg/L

**Table 2 - Water Chemistry Requirements**

**\*NOTE:** To promote appliance service life, it is strongly recommended to follow the maintenance procedures in this manual.

**CAUTION**

Failure of electric elements due to lime scale build-up on the heating surface, low pH, or other imbalance IS NOT covered by the warranty.

## D. Technical Specifications and Dimensions

*Wattage (kW)	Voltage	Amperage	Phase	Circuit Breaker Size	Required Wire Size
3	110/120	28/29	1	1 x 30	10 AWG
6.5	240	27		1 x 30	
8.5		36		1 x 40	6 AWG
10.5		44		1 x 50	
13		54		1 x 60	4 AWG
Technical Data		All Models			
Minimum Water Flow to Activate Unit		0.55 gpm			
Working Pressure		7 - 115 psi (0.5 - 8 bar)			
Tested Pressure		230 psi (16 bar)			
Water Connections		1/2" NPT			
Elements		1			
Dimensions		12" (304 mm) Width x 7" (178 mm) Height x 3.85" (98 mm) Depth			
Weight (Empty)		3.4 lb (1.54 kg)			
Temperature Range		90 - 131°F (30 - 55°C)			

*Wattage (kW)	110V	120V	208V	240V	Temperature Rise $\Delta t$ (°F)	Flow Rate (GPM)				
						3kw	6.5kw	8.5kW	10.5kW	13kW
3	3.1kW	3.5kW	-	-	35	0.59	1.26	1.65	2.04	2.53
6.5	-	-	4.9kW	6.5kW						
8.5			6.4kW	8.5kW						
10.5			7.9kW	10.5kW						
13			9.8kW	13.0kW						

Table 3 - Technical Specifications - \*Wattage based on maximum voltage.

### Part 3 - Installation Instructions

Connect the included Pressure Relief Device (PRD) to the unit (Figure 2).

**NOTE: IMPORTANT** - Do not skip this step. A PRD must be installed with this water heater.

#### A. Wall Mounting the Water Heater

- Slide away the bottom cover and remove the knob by hand. Remove the two (2) screws attaching the water heater front cover. Remove the front cover. (Figure 3.)
- Pass wires through knockout hole in back of unit (Right/Left back). See Figures 4 and 5.
- The mounting surface must be solid and secure. Do not install the unit above electrical boxes or junctions.
- Position the unit on the mounting surface. Ensure the unit is level. Mount the unit to the wall with four (4) screws of at least one (1) inch in length at the marked points. See Figure 5.

### NOTICE

Use screws suitable for the wall material and the weight of the water heater. Failure to do so could result in property damages and damage to the water heater. Such damages ARE NOT covered by product warranty.

- The appliance must be mounted horizontally, with water inlets and outlets at the bottom. See Figures 7 - 8.

### WARNING

This water heater must be installed upright in the vertical position as described in this manual. DO NOT attempt to install this water heater in any other orientation. Doing so will result in improper water heater operation and property damage, and could result in serious personal injury or death.

- Pull gently on the water heater to ensure that it is properly mounted.

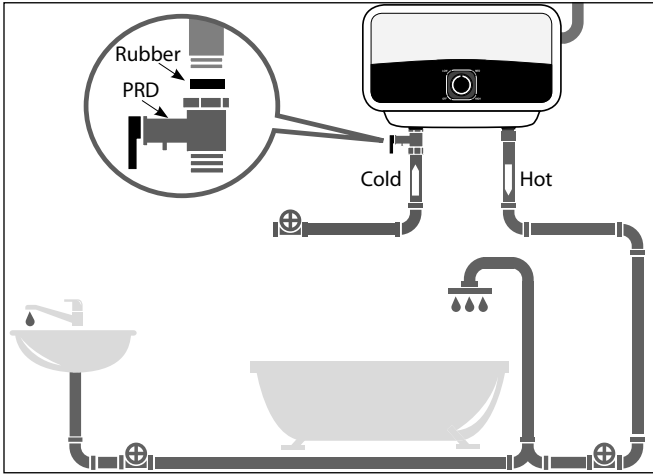


Figure 2 - Installing the Pressure Relief Device (PRD)

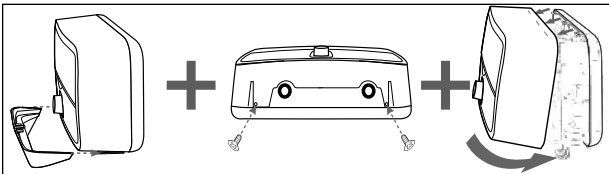


Figure 3 - Removing the Water Heater Cover

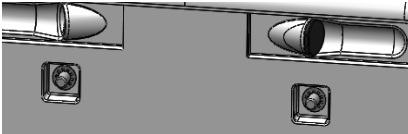


Figure 4 - Wire Knockouts in Back of Unit

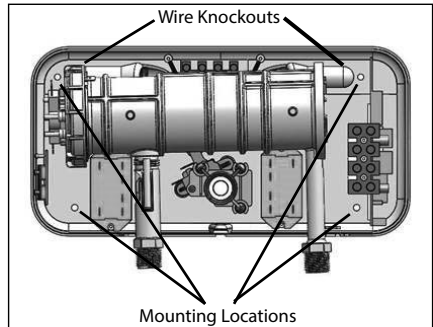


Figure 5 - Wire Knockouts and Mounting the Water Heater

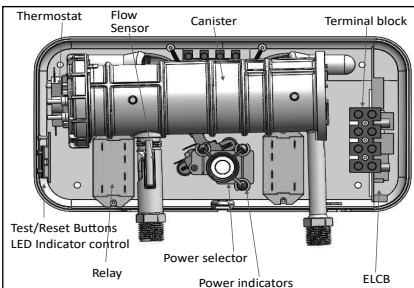


Figure 6 - Water Heater Component Detail

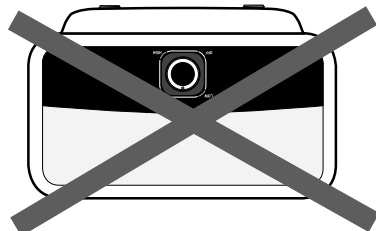


Figure 7 - DO NOT INSTALL THE WATER HEATER UPSIDE DOWN



**NOTES:**

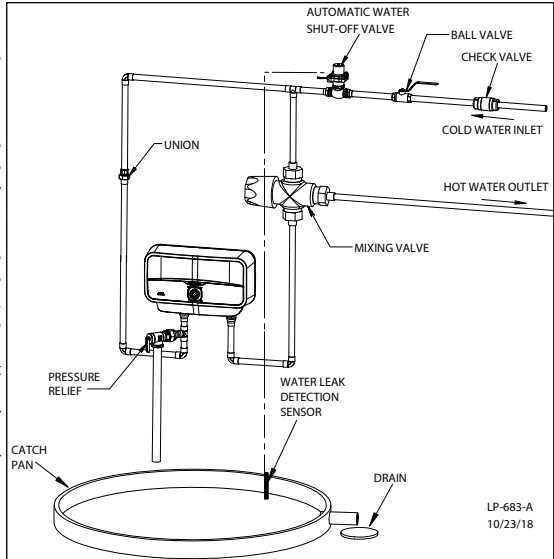
1. Minimum pipe size should match connection size. Upsize pipe accordingly if greater flow is required.
2. Drains and check valve between will assist in purging air from system.
3. These drawings are meant to demonstrate system piping only. The installer is responsible for all equipment and detailing required by local codes. In Massachusetts, you must install a vacuum relief valve per 248 CMR.
4. A temperature and pressure (T&P) relief valve is not required for most installations, but may be required to meet local, state, or provincial codes. If codes require a T&P valve, install according to code and manufacturer instructions.
5. Mixing valve application is optional, but recommended to help prevent scalding.
6. It is highly recommended by the manufacturer to install water leak detection devices and automatic shutoff valves in any water heater installation where a leakage of water could result in property damages.

**B. Plumbing**

It is mandatory that all plumbing be done in accordance with federal, local, and state plumbing codes and practices. Failure to properly install the water heater WILL VOID the warranty. It is also

necessary to use both thread tape and pipe dope on all mechanical plumbing connections. Install unions on the hot and cold water connections to easily disconnect the water heater for servicing.

- Connect the water inlet line to the entry point of the heater (left side inlet), and connect the outlet line to the water outlet. Use a line that can withstand a minimum pressure of 58 psi. Using any other type of line will cause damage. See Figure 8.
- Residential plumbing systems with unstable pressure or pressure above 73 psi require the application of a pressure stabilizer valve, set to 58 - 73 psi.
- Do not install the appliance with water inlets and outlets at the top. See Figure 7.



**Figure 8 - Installation Detail**

## CAUTION

Do not apply heat to the Hot or Cold water heater connections. If sweat connections are used, sweat tubing to the adapter before fitting adapter to the water connections on the heater. Any heat applied to the water heater connections will permanently damage the water heater. Damages due to improper installation practices ARE NOT covered by warranty.

Failure of the water heater due to lime scale build-up on the heating surface, low pH, or other imbalance IS NOT covered by the warranty.

**C. Pressure Relief Device (PRD)**

For protection against excessive pressures in this water heater, install the supplied pressure relief device (PRD). The supplied PRD is marked with a maximum set pressure (123 psi). Install the PRD on the cold inlet line adapter of the water heater, and orient it or provide tubing so that any discharge from the valve will exit at least 6" above the structural floor. The relief line cannot be in contact with any live electrical parts. The discharge opening must not be blocked or reduced in size under any circumstances.

National Plumbing codes require a drain pan for any water heater installation. Failure to install one is the sole responsibility of owner and/or installer. Reference UPC 2000 (Uniform Plumbing Code) Section 510 - Protection from Damage or IPC 200 (International Plumbing code) Section 504 - Safety Devices.


**D. Scalding**

This water heater can deliver scalding water. Be careful whenever using hot water to avoid scalding injury. Certain appliances such as dishwashers and automatic clothes washers may require increased water temperatures. By setting the thermostat on this heater to obtain the increased water temperature required by these appliances you may create the potential for scald injury.

To protect against injury, install a mixing valve in the water system. This valve will reduce point of use discharge temperatures by mixing cold and hot water in branch supply lines. Such valves are available from your local plumbing supplier.

Table 1 details the relationship of water temperature and time with regard to scald injury and may be used as a guide in determining the safest water temperature for your applications.

<b>⚠ WARNING</b>
<p>An ASSE 1017 or ASSE 1070 temperature limiting or mixing valve is recommended in installations servicing disabled or elderly persons, or children. Mixing valves do not eliminate the risk of scalding.</p> <p>To avoid scalding:</p> <ul style="list-style-type: none"> <li>• Set the water heater set point temperature as low as possible.</li> <li>• Feel water before bathing or showering.</li> <li>• If thermostatic valves are required, use devices specifically designed for such purpose. Install these devices in accordance with instructions provided by the manufacturer.</li> </ul> <p>Failure to install a temperature limiting or mixing valve and follow these instructions could result in property damage, severe personal injury, or death due to scalds.</p>

<b>⚠ DANGER</b>
 <p>Water temperature over 125°F can cause severe burns instantly or death from scalds.</p> <p>Children, disabled and elderly are at highest risk of being scalded.</p> <p>See instruction manual before setting temperature at water heater.</p> <p>Feel water before bathing or showering.</p> <p>Temperature limiting valves are available, see manual.</p>

**E. Filling the Heater**

- Make certain any drain valves in the system are completely closed.
- Open the shut-off valve in the cold water supply line.
- Open the hot water faucets to allow air to vent from the heater and piping.
- Allow sufficient time for the heater to completely fill with water.
- Check for and repair any leaks.

<b>CAUTION</b>
<p>When filling the water heater, open a hot water tap to release air in the tank and piping. The tank must be full of water before the heater is turned on. Failure to ensure the water heater is full before turning it on could result in damage to the water heater and other property damages. Such damages ARE NOT covered by water heater warranty.</p>



**Figure 9 - Aerator Installation (3kW Models ONLY)**

**F. Aerator Installation (3kW Models ONLY)**

For optimal heating performance and proper operation, the provided 0.5 GPM aerator must be installed to your sink faucet. This will ensure a continuous flow and consistent maximum temperature rise. Output temperature will vary depending on seasonality and inlet cold water temperatures.

**Maximum of 0.5 GPM flow rate is required for optimal heating performance.**

**Part 4 - Electrical Connection**

<b>CAUTION</b>
<p>Tank must be full of water before the power is turned on. The heating element will be damaged if energized for even a short time while tank is dry. Failures due to “dry-firing” ARE NOT covered by warranty.</p>

The voltage requirement and dedicated wattage load for the heater is specified on the water heater rating label. Consult your local power company to determine if your electrical service is adequate for the additional load of the heater.

This water heater must be hard wired to the correct breaker size with the appropriate wire gauge. All wiring must conform to local code and the National Electric Code, and should be done by a qualified licensed electrician or the local electric utility. See Figures 4, 5, 10, and 11.

- Make sure power to the unit is shut off by means of the dedicated circuit breakers on the main electrical panel.
- Connect the appropriate AWG wire power cable for the model water heater to the terminal block and secure with conduit strain relief (not supplied).
- Make secure, appropriate wiring connections to the water heater per the National Electric Code.
- The unit must be grounded.
- Secure the water heater cover once wiring connections have been made.

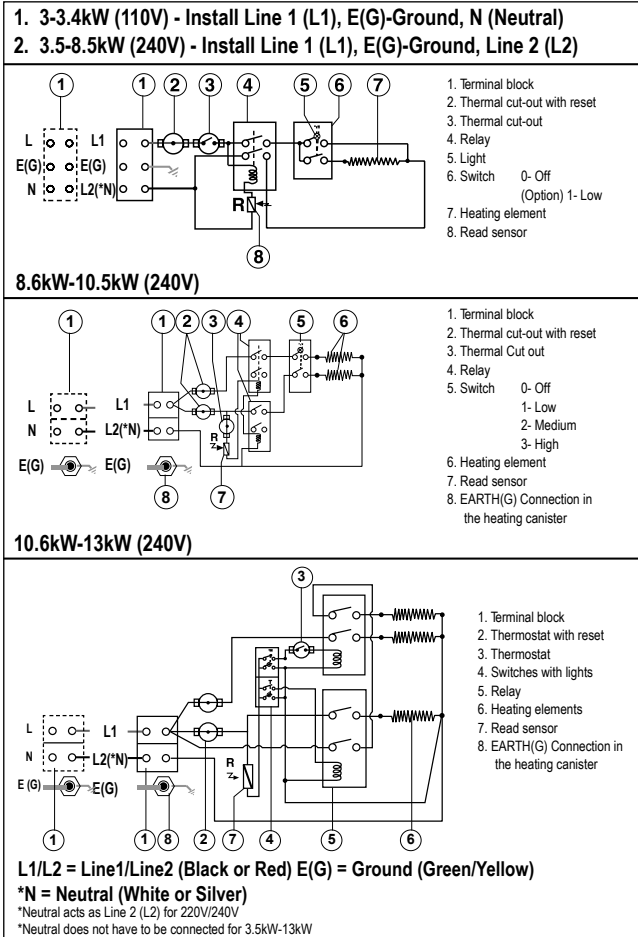
## ⚠ WARNING

Be sure to ground the water heater. Failure to do so could result in property damage, severe personal injury, or death.

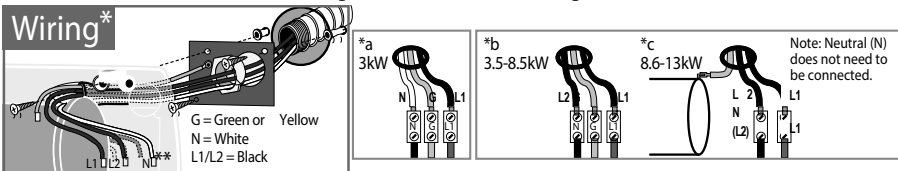
When the water heater is not within sight of the electrical circuit breakers, a circuit breaker lockout or additional local means of disconnection for all non-grounded conductors must be provided that is within sight of the appliance (Ref. NEC 422.31).

**NOTE:** It is recommended that the water heater electrical connections be tested once a year by a qualified technician.

After wiring is complete, slide the gray bottom cover of the water heater into place by hand. Use the two (2) screws removed earlier in the installation process to secure the front cover of the water heater.



**Figure 10 - Water Heater Wiring**



**Figure 11 - Water Heater Wiring Detail**

**Part 5 - Installation Checklist**

<b>Water Heater Location</b>	<b>Yes</b>	<b>No</b>
Close to area of heated water demand		
Indoors and protected from freezing temperatures		
Area free of flammable vapors		
Provisions made to protect area from water damage		
Sufficient room to service heater		
<b>Relief Valve</b>	<b>Yes</b>	<b>No</b>
Pressure Relief Device (PRD) properly installed and discharge line run to open drain		
Discharge line protected from freezing		
<b>Wiring</b>	<b>Yes</b>	<b>No</b>
Power supply voltage agrees with water heater rating plate		
Branch circuit wire and fusing or circuit breaker of proper size		
Electrical connections tight and unit properly grounded		
<b>Water Supply</b>	<b>Yes</b>	<b>No</b>
Water heater completely filled with water BEFORE operating the unit		
Air purged from water heater and piping		
Water connections tight and free of leaks		

**Table 4 - Installation Checklist**

**Part 6 - Operation**

**CAUTION**

The water heater must be full of water before the power is turned on. The heater will be damaged if energized for even a short time while dry. Failures due to “dry-firing” ARE NOT covered by warranty.

**A. Starting and Testing**

- Supply power to the water heater by turning on the circuit breaker.
- Turn the control knob in a clockwise direction.
- The LED on the control knob will turn on until the water temperature has reached the thermostat temperature setting. The light will come back on any time the water temperature inside the tank drops below the thermostat setting.

**B. Thermostat Adjustment**

The temperature of the hot water is adjusted by rotating the knob located on the front cover.

- Turn the knob clockwise to increase temperature.
- Turn the knob counterclockwise to decrease temperature.
- After adjusting the water temperature, allow the water heater enough time to heat the water to temperature. After the water heater has stopped heating, measure the water temperature at the nearest hot water outlet in the structure.
- Temperature can range from 90 - 134.6°F (30 - 57°C).

<b>*Wattage (kW)</b>	<b>Low kW</b>	<b>Medium kW</b>	<b>High kW</b>
3	1	2	3.1
6.5	3	3.5	6.5
8.5	3.8	4.7	8.5
10.5	5.25	5.25	10.5
13	4.5	8.5	13

**Table 5 - Model Operation Guide (by kW)**

**Part 7 - Maintenance**

**⚠ WARNING**

Do not attempt to repair this water heater yourself. Call a qualified service technician for assistance. Always turn off the power supply to the heater prior to servicing or draining the heater. Failure to do so could result in property damage, severe personal injury, or death.

**NOTICE**

For most of these maintenance operations, the water will have to be drained from the heater. For all of these operations, the power should be turned off at the circuit breaker and the front cover removed.

**A. Removing the Cover**

- Pry off the round knob with a small flat head screwdriver.
- Slide away the bottom cover by hand. (Figure 3.)
- Remove the two (2) screws attaching the water heater front cover. Remove the front cover.
- When reassembling, work in the opposite way.

**B. Draining the Heater**

If the heater has been installed with a drain valve, turn the water heater inlet off. Open a faucet or outlet in the system. Then open the drain valve to drain the heater.

**C. Removing the Heating Element**

- Shut off the power supply and drain the water heater.
- Remove the front cover following the instructions above. Disconnect the wires from the element. See Figure 13.
- Use a pipe wrench to remove the element containing cap from the water heating assembly.
- Carefully remove the heating element.

**D. Descaling the Heating Element**

Scale deposits can affect the heating capability of the element. Heavy scale can even cause damage to the element. The element can be descaled either chemically or manually.

- Soak the element in white vinegar or other food grade descaling solution approved for use in potable water systems.
- Once descaled, rinse well with a fresh water / baking soda solution.

The element can also be descaled manually:

- After the element has dried, use a soft brush (non-metallic to prevent damaging the element sheath) on the element.
- Brush the dried minerals off.

Reinstall the element after descaling. Ensure the element gasket is installed and that the element is rewired correctly.

**CAUTION**

Ensure the tank has been refilled with water before restoring power to the water heater. Failures due to “dry-firing” ARE NOT covered by warranty.

**Part 8 - Troubleshooting**

Problem	Possible Cause	Solution
<b>Water Not Hot Enough</b>	Too much water flowing through the heater	Reduce the flow rate at the faucet or slightly close the shutoff valve on the unit’s incoming water supply line to reduce flow rate
	Reduction in the ambient temperature or temperature setting is too low	Increase the temperature setting on the unit
	Water pressure less than 7 psi (0.5 bar)	Make sure the shutoff valve is fully open and the water supply line is not blocked
	Electrical malfunction	Contact a qualified electrician or your local authorized distributor for service
<b>Water Too Hot</b>	Not enough water flowing through the heater	Increase the flow rate at the water outlet
	Increase in the ambient temperature or temperature setting is too high	Switch to a lower temperature setting
<b>Heater Shuts Off During Use</b>	Power outage or faulty wiring	Check the power supply and circuit breaker. If problem persists, contact a qualified electrician.
<b>Water Stops Flowing</b>	Blockage in water pipes or hoses	Ensure the main water shutoff valve is fully open and there are no obstructions in the water supply line
	No water supply	

Problem	Possible Cause	Solution
<b>Water Temperature Varies from Hot to Cold During Use</b>	Water pressure has dropped below minimum level	Increase the flow rate from the water supply source
<b>No Hot Water with the Unit's Water Supply Line Shutoff Valve Fully Open</b>	Power outage or faulty wiring	Check the power supply and circuit breaker.
	The flow rate needed to activate the heating element (0.5 gpm) has not been reached.	Increase the flow rate from the water supply source. Clean the filter screen on the unit's water inlet by turning the circuit breaker off, opening the valve to release pressure from the unit, and turning the circuit breaker on.
	High Limit Has Been Tripped	Check that the high limit reset buttons are pushed in. Follow steps to reset the switch, this manual.
<b>Leaks</b>	Check for leaks at fittings	Check water fittings. Remove front cover and inspect heating element gasket.
	If tank is leaking	Turn off water supply at the shutoff valve. Shut off power to the water heater, and review warranty to see if heater is still within warranty period.

Table 6 - Troubleshooting

**WARNING**

The risk of scald injury increases as you increase water temperature. A lower setting is more economical and reduces the risk of scalding. Use a water tempering or mixing valve and extreme caution when using hot water to avoid scald injury. Consult codes for conformance. Failure to follow the instructions in this warning statement could result in serious personal injury or death from scalds.

Be sure to disconnect electrical power before performing service. Failure to do so could result in electrical shock, property damage, serious personal injury, or death.

**CAUTION**

If draining of the water heater is necessary, open the relief valve or a hot water tap to prevent vacuum buildup in the tank and piping.

**A. Resetting the High Limit Switches**

Occasionally, the high temperature limit shut off device may trip the resets. This occurs when water temperature exceeds 185°F / 85°C. The shut-off devices may also trigger due to a power outage or electrical storm.

To reach the high limit switches:

- Shut off the circuit breaker and remove the front cover.
- Locate the resets to the right of the heating unit canister. See Figure 12.
- Firmly press the reset switches with the tip of a ball point pen or similar object.

**CAUTION**

Call a technician if the high limits need to be reset frequently.

**B. Checking Thermostat Operation**

To check thermostat operation:

- Turn the temperature dial from off to low. Open a hot water outlet to create a demand on the hot water heater. Check water temperature at the outlet with a thermometer. If water is too hot or water does not get hot, turn off the power supply and call a qualified service technician.
- If the water is heating properly, turn the dial to the desired setting. **NOTE:** A lower setting is more economical and reduces the risk of scalding.

**NOTE:** After adjusting the water temperature, allow the heater enough time to heat the water to temperature.

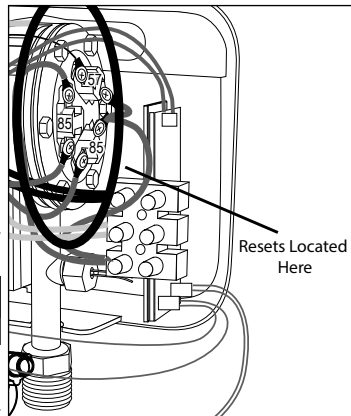


Figure 12 - Reset Locations

Then use a thermometer to measure the water temperature at a hot water outlet in the structure.

### C. Changing the Heating Element

- Turn off the power supply and drain the water heater (see procedure, this manual).
- Remove heating element (see procedure, this manual).
- Install new element with gasket, making sure the gasket and element are positioned correctly. Use a pipe wrench to tighten the element containing cap.
- Reconnect the wires to the element. Reinstall the front cover (see procedure, this manual).
- Refill the water heater with water before restoring power.

### D. Changing the Thermostat

- Turn off the power supply.
- Disconnect the wire connectors from the thermostats. Take care to note / label removed wires to aid in reinstallation.
- Use an 8mm wrench or socket driver to remove the six (6) nuts and bolts from the canister. See Figure 13. Take care not to lose these bolts and nuts. Replacements are not included with the replacement thermostat.
- Remove the plastic cover.
- Install the new thermostat(s).
- Reinstall the plastic cover.
- Use an 8mm wrench or socket driver to reinstall the six (6) nuts and bolts to the canister.
- Reconnect the wiring.
- Restore power to the water heater and observe operation.



Figure 14 - Nut and Bolt Locations

## Part 9 - Replacement Parts

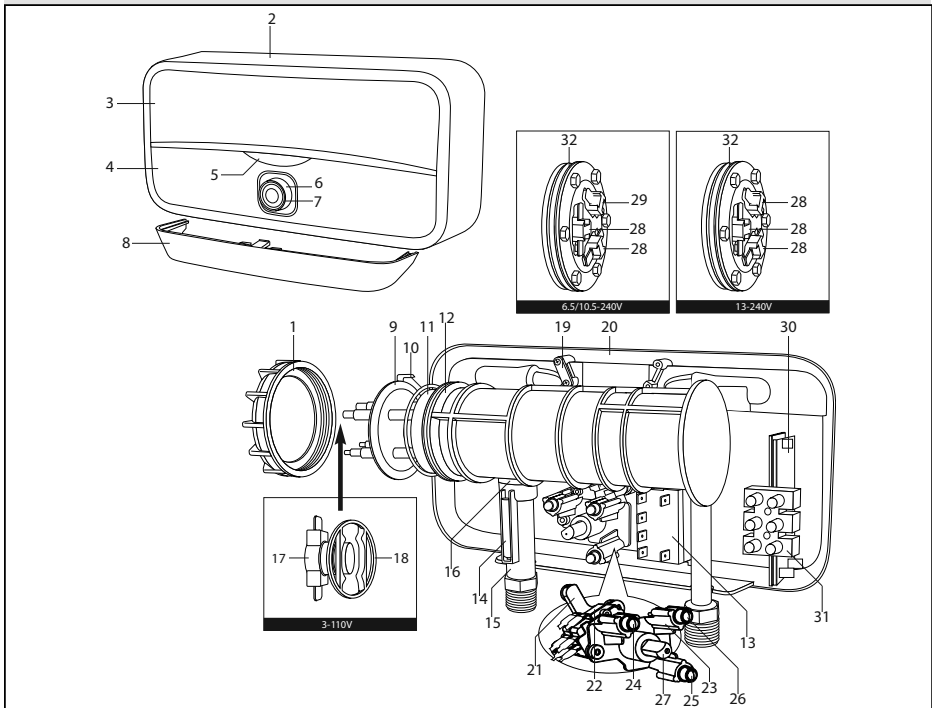


Figure 13 - Replacement Parts

Item #	Description	Part #				
		Model				
		3kW	6.5kW	8.5kW	10.5kW	13kW
1	Big Plastic Nut	65118337				
2	Front Cover	65118338				
3	Top Panel	65118339				
4	Low Panel	65118340				
5	Logo	65118341				
6	Knob (Regulation)	65118342				
7	Knob Ring	65118343				
8	Bottom Cover	65118344				
9	Heating Element	65118418	65118419		65118421	65118422
10	O Ring for Deep Flange	65180269				
11	Sleeve SS	65180307				
12	Heating Tank	65162074	65118345			
13	Relay	65118346				
14	Sensor (Reed)	65180318				
15	Inlet Pipe	65118347				
16	O Ring 14x2.62	65180221				
17	Thermostat ELTH with Reset	65180209				
18	Thermostat Holder	65118286				
19	Cable Holder	65118294				
20	Back Cover	65118348				
21	Power Selector Housing	65118293				
22	Microswitch 3 Contacts	65180239				
23	LED Holder	65118349				
24	LED (Blue+Brown Wire)	65118350				
25	LED (Yellow+Black Wire)	65118351				
26	LED (Black+Red Wire)	65118352				
27	Knob Spindle	65118295				
28	Thermostat 85C		65118353			
29	Thermostat T1		65180328			
30	LED PCB	65118354				
31	Terminal Block	65153714				
32	Gasket 3mm		65118420			

Table 7 - Replacement Part Numbers



**Everlast Single and Multipoint  
Electric Tankless Water Heater  
Limited Warranty**

The manufacturer warrants each small capacity point of use electric water heater and its components to be free from defects in materials and workmanship according to the following terms, conditions, and time periods. UNLESS OTHERWISE NOTED THESE WARRANTIES COMMENCE ON THE DATE OF INSTALLATION. This limited warranty is only available to the **original consumer purchaser** (hereinafter "Owner") of the water heater, and is non-transferable.

**WARRANTY PERIODS**

<b>Slim Multi Electric Water Heater</b>	<b>Parts</b>	<b>Tank</b>
	Two (2) Years	Six (6) Years

**COVERAGE**

A. During the first two (2) years after the original date of installation the manufacturer warrants that it will repair or replace, at its option, any defective or malfunctioning component of the water heater. Replacement components will be warranted for ninety (90) days.

B. Should a defect or malfunction result in a leakage of water from the water heater within the first six (6) years after the original date of installation due to defective material or workmanship, malfunction, or failure to comply with the above warranty, with such defect or malfunction having been verified by an authorized representative of the manufacturer, the manufacturer will repair or replace, at its option, the defective or malfunctioning water heater. Replacements will be of the nearest comparable model available at the time of replacement. The replacement water heater will be warranted for the unexpired portion of the applicable warranty period of the original water heater.

C. In the event of a leakage of water of a replacement water heater due to defective material or workmanship, malfunction, or failure to comply with the above warranty, the manufacturer reserves the right to refund to the Owner the published wholesale price available at the date of manufacture of the original water heater.

D. If government regulations, industry certification, or similar standards require the replacement water heater or component(s) to have features not found in the defective water heater or component(s), the Owner will be charged the difference in price represented by those required features. If the Owner pays the price difference for those required features and/or to upgrade the size and/or other features available on a new replacement water heater or component(s), the Owner will also receive a complete new limited warranty for that replacement water heater or component(s).

E. If at the time of a request for service the Owner cannot provide a copy of the original sales receipt or the warranty registration, the warranty period for the water heater shall then be deemed to have commenced on the date of manufacture of the water heater and NOT the date of installation of the water heater, and be covered by the unexpired portion of the warranty detailed above.

F. This warranty extends only to water heaters utilized in water heating applications that have been properly installed by qualified professionals based upon the manufacturer's installation instructions.

G. It is expressly agreed between the manufacturer and the Owner that repair, replacement, or refund are the exclusive remedies of the Owner.

**OWNER RESPONSIBILITIES**

The Owner or Qualified Installer / Service Technician must:

1. Have a relief valve bearing the listing marks of the American Society of Mechanical Engineers (ASME) installed with the water heater assembly in accordance with federal, state, and local codes.
2. Have a vacuum relief valve certified to ANSI Z21.22 - Relief Valves for Hot Water Supply Systems - installed with the water heater assembly in accordance with federal, state, and local codes and in installations prone to vacuum related damages.
3. Maintain the water heater in accordance with the maintenance procedure listed in the manufacturer's provided instructions. Preventive maintenance can help avoid any unnecessary breakdown of the water heater and keep it running at optimum efficiency.
4. Maintain all related system components in good operating condition.
5. Use the water heater at water pressures not exceeding the working pressure shown on the rating plate.
6. Keep the water heater free of damaging scale deposits.
7. Make provisions so if the water heater or any component or connection thereto should leak, the resulting flow of water will not cause damage to the area in which it is installed.

**WARRANTY EXCLUSIONS**

This limited warranty will not cover:

1. Any water heater purchased from an unauthorized dealer.
2. Any water heater not installed by a qualified heating installer / service technician, or installations that do not conform to ANSI, CSA, and/or UL standards, as well as any applicable national or local building codes.
3. Service trips to teach the Owner how to install, use, maintain, or to bring the water heater installation into compliance with local building codes and regulations.
4. The workmanship of any installer. The manufacturer disclaims and does not assume any liability of any nature caused by improper installation, repair, or maintenance.
5. Electricity or fuel costs, or increased or unrealized savings for same, for any reason whatsoever.
6. Any water damage arising, directly or indirectly, from any defect in the water heater or component part(s) or from its use.
7. Any incidental, consequential, special, or contingent damages or expenses arising, directly or indirectly, from any defect in the water heater or the use of the water heater.
8. Failure to locate the water heater in an area where leakage of the tank or water line connections and the relief valve will not result in damage to the area adjacent to the water heater or lower floors of the structure, as well as failure to install the water heater in or with a properly sized drain pan routed to an approved drainage location.
9. Any failed components of the system not manufactured by the manufacturer as part of the water heater.
10. Water heaters repaired or altered without the prior written approval of the manufacturer.
11. Damages, malfunctions, or failures resulting from improper installation, or failure to install the water heater in accordance with applicable building codes/ordinances or good plumbing and electrical trade practices; or failure to operate and maintain the water heater in accordance with the manufacturer's provided instructions.
12. Damages, malfunctions, or failures resulting from failure to operate the water heater at pressures not exceeding the working pressure shown on the rating label.
13. Failure to operate the water heater in an open system, or in a closed system with a properly sized and installed thermal expansion tank.

14. Failure or performance problems caused by improper sizing of the water heater, expansion device, piping, electric service voltage, wiring or fusing.
15. Damages, malfunctions, or failures resulting from vacuum conditions.
16. Damages, malfunctions, or failures caused by operating the water heater with modified, altered, or unapproved components, or any component / attachment not supplied by the manufacturer.
17. Damages, malfunctions, or failures caused by abuse, accident, fire, flood, freeze, lightning, electrochemical reaction, acts of God and the like.
18. Tank failures (leaks) caused by operating the water heater in a corrosive or contaminated atmosphere.
19. Damages, malfunctions, or failures caused by operating the water heater with an empty or partially empty tank ("dry firing"), or failures caused by operating the water heater when it is not supplied with potable water, free to circulate at all times.
20. Failure of the heater due to the accumulation of solid materials or lime deposits.
21. Any damage or failure resulting from improper water chemistry, or heating anything other than potable water. WATER CHEMISTRY REQUIREMENTS - Water pH between 6.5 and 8.5. Hardness less than 7 grains (120 mg/L). Chloride concentration less than 100 ppm (mg/L). TDS less than 500 ppm (mg/L).
22. Production of noise, taste, odors, discoloration, or rusty water.
23. Water heaters replaced for cosmetic reasons.
24. Components of the water heater that are not defective, but must be replaced during the warranty period as a result of reasonable wear and tear.
25. Components of the water heater that are subject to warranties, if any, given by their manufacturers; the manufacturer does not adopt these warranties.
26. Damages, malfunctions, or failures resulting from the use of any attachment(s) not supplied by the manufacturer.
27. Water heaters installed outside the fifty states (and the District of Columbia) of the United States of America and Canada.
28. Water heaters moved from the original installation location.
29. Water heaters that have had their rating labels removed.

#### PROCEDURES FOR WARRANTY SERVICE REQUESTS

Any claim for warranty assistance must be made promptly. Determine if the water heater is "in-warranty" (that is, within the applicable warranty period) by reviewing a copy of the original sales receipt or warranty registration. The Owner must present a copy of the original sales receipt or warranty registration for a warranty service request.

If the water heater is "in-warranty", contact the retailer from whom the water heater was purchased (or the installer) for assistance. Be prepared to provide the retailer or installer with a copy of the original receipt, complete model and serial numbers, and the date of installation of the water heater, in addition to explanation of the water heater problem.

Warranty coverage is subject to validation of "in-warranty" coverage by the manufacturer claims department personnel. All alleged defective or malfunctioning components must be returned to the manufacturer via the local distribution channels where original purchase was made. **NOTE: Any components or heaters returned to the manufacturer for warranty analysis will become the property of the manufacturer and will not be returned, even if credit is denied.** If all warranty conditions are satisfied, the manufacturer will provide replacement components to the retailer.

For questions about the coverage of this warranty, please contact the manufacturer at the following address or phone

number: HTP (an Ariston Thermo Group Company), 272 Duchaine Blvd, New Bedford, MA, 02745 Attention: Warranty Service Department, 1 (774) 271 3108.

#### SERVICE, LABOR, AND SHIPPING COSTS

Except when specifically prohibited by the applicable state law, the Owner, and not the Manufacturer, shall be liable for and shall pay for all charges for labor or other expenses incurred in the removal, repair, or replacement of the appliance or any component part(s) claimed to be defective or any expense incurred to remedy any defect in the product. Such charges include, but are not necessarily limited to:

1. All freight, shipping, handling, and delivery costs of forwarding a new appliance or replacement part(s) to the owner.
2. All costs necessary or incidental in removing the defective appliance or component part(s) and installing a new appliance or replacement part(s).
3. All administrative fees incurred by the Owner, as well as material required to complete, and/or permits required for, installation of a new appliance or replacement part(s), and
4. All costs necessary or incidental in returning the defective water heater or component part(s) to a location designated by the manufacturer.

#### LIMITATIONS OF YOUR WARRANTY AND REMEDIES

**THE FOREGOING WARRANTIES ARE EXCLUSIVE AND ARE GIVEN AND ACCEPTED TO THE FURTHEST EXTENT UNDER APPLICABLE LAW IN LIEU OF ANY AND ALL OTHER WARRANTIES, EXPRESS OR IMPLIED, INCLUDING WITHOUT LIMITATION THE IMPLIED WARRANTIES OF MERCHANTABILITY AND FITNESS FOR A PARTICULAR PURPOSE AND ANY OBLIGATION, LIABILITY, RIGHT, CLAIM OR REMEDY IN CONTRACT OR TORT, WHETHER OR NOT ARISING FROM THE MANUFACTURER'S NEGLIGENCE, ACTUAL OR IMPUTED. THE REMEDIES OF THE OWNER SHALL BE LIMITED TO THOSE PROVIDED HEREIN TO THE EXCLUSION OF ANY OTHER REMEDIES INCLUDING WITHOUT LIMITATION, INCIDENTAL OR CONSEQUENTIAL DAMAGES, SAID INCIDENTAL AND CONSEQUENTIAL DAMAGES INCLUDING, BUT NOT LIMITED TO, PROPERTY DAMAGE, LOST PROFIT OR DAMAGES ALLEGED TO HAVE BEEN CAUSED BY ANY FAILURE OF THE MANUFACTURER TO MEET ANY OBLIGATION UNDER THIS AGREEMENT INCLUDING THE OBLIGATION TO REPAIR AND REPLACE SET FORTH ABOVE. NO AGREEMENT VARYING OR EXTENDING THE FOREGOING WARRANTIES, REMEDIES OR THIS LIMITATION WILL BE BINDING UPON THE MANUFACTURER. UNLESS IN WRITING AND SIGNED BY A DULY AUTHORIZED OFFICER OF THE MANUFACTURER. THE WARRANTIES STATED HEREIN ARE NOT TRANSFERABLE AND SHALL BE FOR THE BENEFIT OF THE OWNER ONLY.**

#### NO OTHER WARRANTIES

This warranty gives the Owner specific legal rights. The Owner may also have other rights that vary from state to state. Some states do not allow the exclusion or limitation of incidental or consequential damages so this limitation or exclusion may not apply to the Owner. These are the only written warranties applicable to the water heater manufactured and sold by the manufacturer. The manufacturer neither assumes nor authorizes anyone to assume for it any other obligation or liability in connection with said water heaters. The manufacturer reserves the right to change specifications or discontinue models without notice.

<b>Customer Installation Record Form</b>	
The following form should be completed by the qualified installer / service technician for you to keep as a record of the installation in case of a warranty claim. After reading the important notes at the bottom of the page, please also sign this document.	
Customer's Name	
Date of Installation	
Installation Address	
Product Model / Serial Number(s)	
Comments	
Installer's Code / Name	
Installers Phone Number	
Signed by Installer	
Signed by Customer	
Installation Notes	

**IMPORTANT**

Customer: Please only sign after the qualified installer / service technician has fully reviewed the installation, safety, proper operation, and maintenance of the system. If the system has any problems please call the qualified installer / service technician. If you are unable to make contact, please call your sales representative.

Distributor / Dealer: Please insert contact details.

## ENCADRÉS D'AVERTISSEMENTS SPÉCIAUX

Les termes définis ci-dessous sont utilisés dans l'intégralité du manuel afin d'attirer l'attention sur la présence de dangers impliquant différents niveaux de risque ou sur des informations importantes relatives au produit.

### DANGER

Le mot **DANGER** indique une situation de danger imminent qui, si elle n'est pas évitée, entraînera des blessures personnelles graves ou la mort.

### AVERTISSEMENT

Le mot **AVERTISSEMENT** indique une situation potentiellement dangereuse qui, si elle n'est pas évitée, pourrait entraîner des blessures personnelles ou la mort.

### ATTENTION

Le mot **ATTENTION** indique une situation potentiellement dangereuse qui, si elle n'est pas évitée, pourrait entraîner des blessures personnelles modérées et mineures.

### ATTENTION

Le mot **ATTENTION** utilisé sans le symbole d'alerte de sécurité indique une situation potentiellement dangereuse qui, si elle n'est pas évitée, pourrait entraîner des dommages matériels.

### REMARQUE

Le mot **REMARQUE** est utilisé pour mentionner des pratiques n'ayant pas de rapport avec d'éventuelles blessures personnelles.

## Avant-propos

Ce manuel est conçu pour être utilisé avec les autres documentations fournies avec le chauffe-eau. Cela inclut toutes les informations relatives au contrôle de l'appareil. Il est important que ce manuel, tous les autres documents inclus dans ce système et les publications supplémentaires soient lus dans leur intégralité avant de commencer tout travail. L'installation doit être réalisée dans le respect des réglementations de l'autorité judiciaire compétente, des autorités locales et des entreprises de services publics applicables à ce type d'équipement de production d'eau chaude.

Autorité judiciaire compétente : elle peut être un gouvernement fédéral, d'état, local, ou un individu tel que le chef des pompiers, le commissaire aux incendies, le responsable d'un bureau de prévention des incendies, le département du travail ou le département de la santé, un responsable du service des bâtiments ou un inspecteur en électricité, ou toute autre personne possédant le pouvoir légal nécessaire. Dans certaines circonstances, le propriétaire du bâtiment ou son/sa représentant(e) assume ce rôle et, dans le cas d'installations gouvernementales, le commandant ou le représentant du ministère peut être l'autorité judiciaire compétente.

**REMARQUE** : le fabricant se réserve le droit de modifier les spécifications techniques du produit et ses composants sans préavis.

## Pour l'installateur

Ce chauffe-eau doit être installé par du personnel qualifié et agréé. L'installateur doit être guidé par les instructions fournies avec le chauffe-eau et par les réglementations locales et les exigences des entreprises de services publics.

### Les installations doivent être conformes :

aux codes, lois, réglementations et ordonnances en vigueur à l'échelle locale, de l'état, de la province et nationale.

À la dernière version du *National Electrical Code, NFPA N° 70*.

### Table of Contents

<b>Part 1 - General Safety Information</b>	<b>3</b>	<b>Part 6 - Operation</b>	<b>12</b>
A. When Servicing the Water Heating System	4	A. Starting and Testing	12
B. Heater Water	4	B. Thermostat Adjustment	12
C. Freeze Protection	4	<b>Part 7 - Maintenance</b>	<b>12</b>
D. Water Temperature Adjustment	4	A. Removing the Cover	13
<b>Part 2 - Prepare the Water Heater</b>	<b>5</b>	B. Draining the Heater	13
A. Model Overview	5	C. Removing the Heating Element	13
B. Locating the Water Heater	5	D. Descaling the Heating Element	13
C. Water Chemistry Requirements	6	<b>Part 8 - Troubleshooting</b>	<b>13</b>
D. Technical Specifications and Dimensions	7	A. Resetting the High Limit Switches	14
<b>Part 3 - Installation Instructions</b>	<b>7</b>	B. Checking Thermostat Operation	14
A. Wall Mounting the Water Heater	7	C. Changing the Heating Element	15
B. Plumbing	9	D. Changing the Thermostat	15
C. Pressure Relief Device (PRD)	9	<b>Part 9 - Replacement Parts</b>	<b>15</b>
D. Scalding	9	Limited Warranty	17
E. Filling the Heater	10	Customer Installation Record Form	19
F. Aerator Installation (3kW Models ONLY)	10		
<b>Part 4 - Electrical Connection</b>	<b>10</b>		
<b>Part 5 - Installation Checklist</b>	<b>12</b>		

## ⚠ AVERTISSEMENT

### CONSIGNES DE SÉCURITÉ IMPORTANTES

Lors de l'utilisation d'appareils électriques, il convient de respecter des précautions de sécurité de base afin de limiter le risque d'incendie, d'électrocution ou de blessure aux individus, notamment :

1. VEUILLEZ LIRE TOUTES LES INSTRUCTIONS AVANT D'UTILISER CE CHAUFFE-EAU.
2. Ce chauffe-eau doit être raccordé à la terre.
3. Installez ou positionnez ce chauffe-eau dans le strict respect des instructions d'installation fournies.
4. Utilisez ce chauffe-eau uniquement pour l'usage prévu tel que décrit dans ce manuel.
5. Pour le raccordement à l'alimentation électrique, utilisez des fils du diamètre indiqué ou supérieur, adaptés pour résister à au moins 90°C (194°F).
6. Le chauffe-eau doit être connecté à un disjoncteur dédié présent sur le tableau électrique principal.
7. L'installation de plomberie doit être terminée avant l'installation électrique.
8. L'installation de plomberie requiert l'utilisation de tuyaux en métal ou de flexibles renforcés capables de supporter une pression pouvant aller jusqu'à 116 psi.
9. Le limiteur de pression fourni doit être installé à l'entrée de la ligne d'alimentation en eau.
10. Afin d'assurer un bon fonctionnement, le débit de l'alimentation en eau doit être d'au moins 0,55 gpm.
11. N'installez pas le chauffe-eau à un endroit où il pourrait être exposé à la lumière directe du soleil, à la pluie, à des éclaboussures ou à des températures inférieures à zéro.
12. Avant de connecter l'appareil à un réseau d'électricité public, consultez l'autorité en charge de l'alimentation en électricité afin de vous assurer que le réseau électrique respecte les exigences indiquées.
13. N'utilisez pas ce chauffe-eau si son câblage est endommagé, s'il ne fonctionne pas correctement ou s'il a été endommagé ou est tombé.
14. Ce chauffe-eau ne doit être révisé que par du personnel de maintenance qualifié. Contactez l'installateur du chauffe-eau ou un centre de maintenance qualifié pour toute intervention d'examen, de réparation ou de réglage.

### VEUILLEZ CONSERVER CES INSTRUCTIONS

## Partie 1 - Consignes de sécurité générales

Ce chauffe-eau est approuvé pour les installations en intérieur uniquement et n'est pas conçu pour être utilisé afin de chauffer l'eau d'une piscine. Le chauffe-eau doit être installé de manière à ce qu'il y ait suffisamment de place autour pour les opérations de maintenance : 24" devant, 6" au-dessus, 24" à gauche, 6" à droite et 12" au-dessous sont les distances minimales recommandées pour permettre la maintenance. En outre, veuillez installer le chauffe-eau à au moins 18" du sol. (La présence d'une porte ou d'un panneau à l'avant est acceptable.) Ce chauffe-eau a été approuvé pour l'installation dans une armoire. Installez le chauffe-eau dans un endroit où les éventuelles fuites ne risquent pas d'endommager l'espace environnant. Si cela n'est pas possible, installez un bac de récupération auxiliaire.

## ⚠ AVERTISSEMENT

**Installateur** - Veuillez lire toutes les instructions de ce manuel avant l'installation. Réalisez les différentes étapes dans l'ordre indiqué.

**Utilisateur** - Ce manuel doit être utilisé uniquement par un installateur / technicien de maintenance qualifié dans le domaine du chauffage. Faites entretenir / inspecter ce chauffe-eau chaque année par un technicien de maintenance qualifié.

**LE NON-RESPECT DES LIGNES DIRECTRICES DE CETTE PAGE PEUT ENTRAÎNER DES DOMMAGES MATÉRIELS CONSIDÉRABLES, DES BLESSURES PERSONNELLES GRAVES OU LA MORT.**

**REMARQUE** : si le chauffe-eau se trouve exposé aux éléments suivants, ne l'utilisez pas. Appelez immédiatement un technicien de maintenance qualifié.

1. Feu
2. Dommage
3. Eau

Dans le cas contraire, vous pourriez vous exposer à des dommages matériels, des blessures personnelles graves ou la mort.

**REMARQUE** : veuillez respecter toutes les réglementations locales. Veillez à obtenir tous les permis applicables avant l'installation du chauffe-eau.

**REMARQUE** : installez tous les composants et tuyaux du système de telle sorte qu'ils ne risquent pas de réduire les performances des éventuels équipements classés résistants au feu.

**N'UTILISEZ PAS CE CHAUFFE-EAU SI N'IMPORTE QUELLE PARTIE DE CELUI-CI A ÉTÉ IMMERGÉE DANS L'EAU.** Appelez immédiatement un technicien de maintenance qualifié. Le chauffe-eau DOIT ÊTRE remplacé s'il a été immergé. Toute tentative d'utiliser un chauffe-eau ayant été immergé pourrait être à l'origine de nombreuses conditions dangereuses, telles qu'une potentielle fuite de gaz pouvant causer un incendie et/ou une explosion, ou la libération dans l'air de moisissures, de bactéries ou d'autres particules nocives. L'utilisation d'un chauffe-eau ayant été immergé dans l'eau peut entraîner des dommages matériels, des blessures personnelles graves ou la mort.

**REMARQUE** : l'endommagement du chauffe-eau suite à une inondation ou à une submersion est considéré comme une catastrophe naturelle et N'EST PAS couvert par la garantie du produit.

Le fabricant ne peut être tenu pour responsable des dommages causés par une installation correcte ou par le non-respect des instructions présentes dans ce manuel.

## ATTENTION

N'utilisez jamais ce chauffe-eau pour d'autres usages que celui pour lequel il a été conçu (tel que décrit dans ce manuel). Dans le cas contraire, des dommages matériels pourraient survenir et cela ANNULERA la garantie du produit.

Les sources de chaleur élevée (sources générant des températures égales ou supérieures à 100°F / 37°C, telles les tuyaux de poêle, appareils de chauffage, etc.) peuvent endommager les composants en plastique du chauffe-eau ainsi que les matériaux du tuyau d'aération en plastique. Ces dommages NE sont PAS couverts par la garantie. Il est recommandé de préserver une distance minimale de 8" par rapport aux sources de chaleur élevée. Veuillez respecter les instructions du fabricant de la source de chaleur ainsi que les codes, lois, réglementations et ordonnances en vigueur à l'échelle locale, de l'état, de la province et nationale en cas d'installation de ce chauffe-eau et de ses composants à proximité d'une source de chaleur.

### A. Lors de la maintenance du chauffe-eau

#### ⚠ AVERTISSEMENT

Veuillez à déconnecter l'alimentation électrique avant toute opération de maintenance. Dans le cas contraire, vous pourriez vous exposer à une électrocution, des dommages matériels considérables, des blessures personnelles graves ou la mort.

Pour éviter tout risque d'électrocution, déconnectez l'alimentation électrique avant de procéder à la maintenance.

**REMARQUE :** en cas de question relative à la maintenance ou à un problème rencontré avec le chauffe-eau, veuillez mentionner les numéros de modèle et de série situés sur la plaque signalétique de ce dernier.

Pour éviter de graves brûlures, laissez le chauffe-eau et les équipements associés refroidir avant toute intervention.

### B. Chauffe-eau

N'utilisez pas de produits de nettoyage ou de scellement à base de pétrole dans le système de production d'eau chaude. Les garnitures et joints présents dans le système pourraient être endommagés. Cela pourrait entraîner des dommages matériels considérables.

N'utilisez pas de traitements « faits maison » ou de « médicaments » vendus en pharmacie pour nettoyer le chauffe-eau. Vous pourriez endommager le chauffe-eau et provoquer des dommages matériels considérables et/ou de graves blessures personnelles.

### C. Protection contre le gel

**REMARQUE :** veuillez tenir compte de la tuyauterie et de l'installation lors de la détermination de l'emplacement du chauffe-eau.

#### ⚠ AVERTISSEMENT

Les pannes du chauffe-eau dues à des dommages causés par le gel NE sont PAS couvertes par la garantie du produit.

#### ⚠ ATTENTION

N'utilisez JAMAIS de produits chimiques toxiques, notamment de l'antigel au glycol standard pour automobile, ou de l'éthylène glycol conçu pour les systèmes de chauffage à eau chaude (non potable). Ces produits chimiques peuvent attaquer les garnitures et les joints des systèmes d'eau, sont toxiques s'ils sont ingérés et peuvent causer des blessures personnelles ou la mort.

Si la température ambiante descend sous les 32°F (0°C), protégez le chauffe-eau des éventuels dommages en coupant l'alimentation électrique de l'appareil en utilisant le disjoncteur dédié se trouvant dans le tableau électrique principal. Ouvrez légèrement un robinet pour faire s'écouler l'eau en continu à travers l'appareil à un débit très faible, sans la chauffer. Rétablissez l'alimentation électrique de l'appareil lorsque les conditions de température le permettent.

Si l'eau gèle à l'intérieur de l'appareil, cela peut causer des dommages qui ne sont pas couverts par la garantie. Si vous suspectez que l'eau a gelé à l'intérieur de l'appareil, ne l'allumez pas tant que vous n'êtes pas certain que l'eau gelée a fondu et que l'appareil ne présente pas de fuites. Si cette situation se présente, il est recommandé de contacter un électricien qualifié ou le service client.

### D. Réglage de la température de l'eau

Le thermostat du chauffe-eau a été réglé à une température égale ou inférieure à 131°F (55°C). Voir Figure 1. Si le chauffe-eau est destiné à être réglé à une température supérieure à 120°F, il est recommandé d'utiliser une vanne mélangeuse conforme à la norme ASSE 1017 afin d'éviter des brûlures graves ou mortelles dues aux températures trop élevées.



**Figure 15 - Thermostat**

**REMARQUE :** après avoir réglé la température de l'eau au niveau du thermostat, utilisez un thermomètre pour mesurer la température de l'eau à un robinet d'eau chaude du bâtiment. Le réglage de température recommandé est de 118°F.

#### Rapports approximatifs temps d'exposition / température dans les cas de brûlures

120°F	Plus de 5 minutes
125°F	1,5 à 2 minutes
130°F	Environ 30 secondes
135°F	Environ 10 secondes
140°F	Moins de 5 secondes
145°F	Moins de 3 secondes
150°F	Environ 1,5 seconde
155°F	Environ 1 seconde

**Table 8 - Rapports approx. temps d'exposition / température dans les cas de brûlures**

## ⚠ AVERTISSEMENT

Les foyers où habitent des enfants en bas âge, des personnes handicapées ou des personnes âgées peuvent nécessiter un réglage de température de 120°F ou moins afin d'éviter des blessures personnelles graves ou fatales par brûlure.

### Partie 2 - Préparation du chauffe-eau

Retirez tous les côtés de la caisse d'expédition pour pouvoir déplacer le chauffe-eau jusqu'à son lieu d'installation.

## REMARQUE

**DÉBALLAGE DU CHAUFFE-EAU** - Toute réclamation pour dommage ou composant manquant lors de l'expédition doit être déposée immédiatement contre la société de transport par le destinataire.

## ATTENTION

**MANIPULATION EN CAS DE TEMPS FROID** - Si le chauffe-eau a été stocké dans un lieu très froid (MOINS DE 0°F) avant l'installation, manipulez-le avec précaution jusqu'à ce que les composants soient arrivés à la température de la pièce. Dans le cas contraire, le chauffe-eau pourrait se trouver endommagé.

#### A. Aperçu du modèle

Les figures suivantes représentent de manière détaillée les composants de ce modèle de chauffe-eau. Certains composants sont déjà installés en usine. Cela dépend du modèle du chauffe-eau.

#### B. Positionnement du chauffe-eau

## ⚠ AVERTISSEMENT

Ce chauffe-eau est certifié pour une utilisation en intérieur uniquement. **NE PAS L'INSTALLER À L'EXTÉRIEUR.** Les installations à l'extérieur **NE** sont **PAS** couvertes par la garantie. Le fait de ne pas installer le chauffe-eau à l'intérieur peut entraîner des dommages matériels, des blessures personnelles graves ou la mort.

## ATTENTION

Tous les chauffe-eaux sont susceptibles de présenter des fuites. Positionnez le chauffe-eau à un endroit où les éventuelles fuites de la soupape de sécurité, des tuyaux correspondants, du ballon ou des raccords n'entraîneront pas de dommages aux zones adjacentes ou aux étages inférieurs du bâtiment. Tout chauffe-eau doit être installé de telle sorte que, si jamais il fuit, l'écoulement d'eau en résultant ne causera pas de dommages à la zone dans laquelle il est installé. Les codes nationaux en vigueur en matière de plomberie requièrent l'installation d'un bac de récupération pour l'installation de n'importe quel chauffe-eau. Le choix de ne pas en installer relève de la seule responsabilité du propriétaire et/ou de l'installateur. Référence : UPC 2000 (Uniform Plumbing Code) Section 510 - Protection contre les dommages ou IPC 200 (International Plumbing code) Section 504 - Dispositifs de sécurité. Les dommages dus aux fuites **NE** sont **PAS** couverts par la garantie.

De plus, il est possible de se procurer facilement des dispositifs de détection de fuites d'eau et des vannes d'arrêt d'eau automatiques chez les fournisseurs de matériel de plomberie. **IL EST VIVEMENT RECOMMANDÉ PAR LE FABRICANT D'INSTALLER DES DISPOSITIFS DE DÉTECTION DE FUITE D'EAU ET DES VANNES D'ARRÊT AUTOMATIQUES DANS TOUTES LES INSTALLATIONS DE CHAUFFE-EAU OÙ UNE FUITE D'EAU POURRAIT ENTRAÎNER DES DOMMAGES MATÉRIELS.**

1. Conditions du lieu d'installation (local technique)

- Assurez-vous que la température ambiante est supérieure à 32°F / 0°C et inférieure à 104°F / 40°C
- Évitez les niveaux d'humidité continuellement élevés
- N'obstruez jamais les ouvertures de ventilation existantes

**REMARQUE** : lors de l'installation dans un endroit sans dégagement autour de l'appareil, il peut être impossible de lire ou de voir certaines étiquettes de ce dernier. Il est alors recommandé de noter quelque part le modèle et le numéro de série du chauffe-eau.

**REMARQUE** : la présence d'une porte ou d'un panneau à l'avant est acceptable.

**REMARQUE** : le chauffe-eau et le tuyau de sortie d'eau chaude doivent être hors de portée des enfants afin d'éviter qu'ils ne touchent aux commandes ou à un tuyau extrêmement chaud.

## ATTENTION

La durée de vie des surfaces métalliques exposées du chauffe-eau, telles que le boîtier de jonction, est directement influencée par la proximité avec des environnements marins humides et salés. Dans de tels endroits, les niveaux supérieurs de concentration en chlorures provenant des embruns associés à l'humidité relative peuvent mener à une dégradation des composants du chauffe-eau et causer à ce dernier des pannes précoces. Ces pannes **NE** sont **PAS** couvertes par la garantie.

Les pannes du chauffe-eau ou de ses composants dues à de mauvaises conditions d'utilisation **NE** sont **PAS** couvertes par la garantie du produit.

## ⚠ AVERTISSEMENT

Les conditions ambiantes inadéquates peuvent endommager le système de chauffage et empêcher son fonctionnement en toute sécurité. Assurez-vous que le lieu d'installation respecte les informations fournies dans ce manuel. Dans le cas contraire, vous pourriez vous exposer à des dommages matériels, des blessures personnelles graves ou la mort.

2. Choisissez pour le chauffe-eau un lieu d'installation le plus central possible par rapport au système de plomberie et d'électricité. En outre, placez le chauffe-eau et la tuyauterie d'alimentation en eau domestique à un endroit où ils ne seront pas exposés à des températures inférieures à zéro. Tous les tuyaux doivent être isolés. En outre, placez le chauffe-eau de telle sorte que la vidange, les commandes et les entrées/sorties soient facilement accessibles.

**REMARQUE :** pour faire des économies de chauffage et améliorer l'efficacité énergétique, veuillez réduire au minimum la distance entre le chauffe-eau et les équipements afin de limiter les pertes de chaleur dues à des longueurs de tuyau excessives et de minimiser les pertes de charge. Assurez-vous que la totalité de la tuyauterie du chauffe-eau est correctement isolée afin de minimiser les pertes de chaleur.

**REMARQUE :** si vous ne respectez pas les distances minimales recommandées pour les interventions de maintenance, il peut être impossible d'intervenir sur le chauffe-eau sans le retirer de l'espace où il est installé.

**REMARQUE :** dans l'État de Californie, le chauffe-eau doit être étayé, ancré au sol ou sanglé pour éviter qu'il ne bouge en cas de tremblement de terre. Contactez les collectivités locales pour connaître les exigences législatives applicables dans votre région. Rendez-vous sur le site <http://www.dsa.dgs.ca.gov> ou appelez le 1-916-445-8100 et demandez des instructions.

3. Vérifiez la zone autour du chauffe-eau. Retirez toutes les matières combustibles, l'essence et les autres liquides inflammables.

## ⚠ DANGER

Ce chauffe-eau ne doit pas être installé à proximité de liquides inflammables tels que de l'essence, du butane, du propane liquéfié, des colles, des solvants, des diluants pour peinture, etc., car les commandes de ce chauffe-eau risqueraient d'enflammer ces vapeurs et de causer une explosion entraînant des dommages matériels, des blessures personnelles graves ou la mort.

## ⚠ AVERTISSEMENT

Ce chauffe-eau doit être installé bien droit en position verticale tel que décrit dans ce manuel. N'essayez PAS d'installer ce chauffe-eau dans un autre sens. Cela pourrait causer un mauvais fonctionnement du chauffe-eau et des dommages matériels, ainsi que des blessures personnelles graves ou la mort.

4. Si le chauffe-eau doit être installé en remplacement d'un chauffe-eau existant, veuillez vérifier et corriger les éventuels problèmes existants du système, notamment :

- Les fuites d'eau
- L'emplacement susceptible de causer le gel du système et du chauffe-eau et des fuites

5. Ce chauffe-eau doit être installé en position verticale sur une surface à niveau.

### C. Exigences en matière de composition chimique de l'eau

## ATTENTION

Un déséquilibre chimique de l'alimentation en eau peut affecter l'efficacité de l'appareil et causer de graves dommages à celui-ci et aux équipements associés. La qualité de l'eau doit être analysée de manière professionnelle afin de déterminer s'il est nécessaire de traiter l'eau. Différentes solutions sont disponibles pour ajuster la qualité de l'eau. Une mauvaise qualité de l'eau affectera la fiabilité du système. De plus, les températures de fonctionnement supérieures à 135°F accéléreront l'accumulation de calcaire et raccourciront peut-être la durée de vie de l'appareil. Les pannes de l'appareil dues à une accumulation de calcaire, à un pH faible ou à un autre déséquilibre chimique NE sont PAS couvertes par la garantie.

L'eau doit être potable, dépourvue de produits chimiques corrosifs, de sable, de saleté et d'autres agents contaminants, et doit respecter les exigences du fabricant. Il est de la responsabilité de l'installateur de s'assurer que l'eau ne contient pas de produits chimiques corrosifs ou d'éléments susceptibles d'endommager l'échangeur de chaleur. L'eau potable est définie comme de l'eau pouvant être bue provenant du réseau ou de l'eau de puits qui respecte les niveaux de contaminants maximum secondaires spécifiés par l'Agence de Protection de l'Environnement américaine (40 CFR Partie 143.3). Si l'eau contient des contaminants dans des proportions supérieures aux spécifications de l'EPA et du fabricant, un traitement de l'eau est recommandé et, en outre, une maintenance plus fréquente peut être requise. Si vous suspectez que votre eau est contaminée de quelque manière que ce soit, cessez d'utiliser l'appareil et contactez un technicien autorisé ou un professionnel agréé.

Exigences en matière de composition chimique de l'eau			
<b>pH</b>	6,5 - 8,5	<b>Chlorure</b>	Moins de 250 mg/L
<b>Matières Totales Dissoutes (MTD)</b>	Moins de 500 mg/L	<b>Cuivre</b>	Moins de 1,0 mg/L
<b>CO2 libre</b>		<b>Fer</b>	Moins de 0,3 mg/L
<b>Dureté totale</b>	Moins de 200 mg/L	<b>Manganèse</b>	Moins de 0,05 mg/L
<b>Aluminium</b>	Moins de 0,2 mg/L	<b>Zinc</b>	Moins de 5 mg/L

**Table 9 - Exigences en matière de composition chimique de l'eau**

**\*REMARQUE :** pour prolonger la durée de vie de l'appareil, il est fortement recommandé de respecter les procédures de maintenance indiquées dans ce manuel.

## ATTENTION

Les pannes de composants électriques dues à une accumulation de calcaire sur la surface de chauffe, à un pH faible ou à un autre déséquilibre NE sont PAS couvertes par la garantie.



## D. Spécifications techniques et dimensions

*Puissance (kW)	Tension électrique	Ampérage	Phases	Taille du disjoncteur	Calibre de fils requis
3	110/120  240	28/29	1	1 x 30	10 AWG
6,5		27		1 x 30	
8,5		36		1 x 40	6 AWG
10,5		44		1 x 50	
13		54		1 x 60	

Données techniques	Tous les modèles
Débit d'eau minimal pour activer l'appareil	0,55 gpm
Pression d'exercice	7- 115 psi (0,5- 8 bar)
Pression testée	230 psi (16 bar)
Raccordements de l'eau	1/2" NPT
Éléments	1
Dimensions	12" (304 mm) Largeur x 7" (178 mm) Hauteur x 3,85" (98 mm) Profondeur
Poids (vide)	3,4 lb (1,54 kg)
Plage de température	90 - 131°F (30 - 55°C)

*Puissance (kW)	110 V	120 V	208 V	240 V	Montée en température Δt (°F)	Débit (GPM)					
						3 kW	6,5 kW	8,5 kW	10,5 kW	13 kW	
3	3,1 kW	3,5 kW	-	-							
6,5	-	-	4,9 kW	6,5 kW	35	0,59	1,26	1,65	2,04	2,53	
8,5			6,4 kW	8,5 kW	45	0,45	0,98	1,28	1,59	1,97	
10,5			7,9 kW	10,5 kW	77	0,26	0,57	0,75	0,93	1,15	
13			9,8 kW	13,0 kW							

Tableau 10 - Spécifications techniques - \*Puissance basée sur la tension maximale.

### Part 3 - Instructions d'installation

Connectez le limiteur de pression à l'appareil (Figure 2).

**REMARQUE : IMPORTANT** - Ne sautez pas cette étape. Un limiteur de pression doit être installé avec ce chauffe-eau.

#### A. Installation murale du chauffe-eau

- Faites glisser le couvercle inférieur pour le retirer et retirez la molette à la main. Retirez les deux (2) vis qui fixent le capot avant du chauffe-eau. Retirez le capot avant. (Figure 3.)
- Faites passer les fils à travers l'orifice défonçable situé à l'arrière de l'appareil (arrière droite/gauche). Voir Figures 4 et 5.
- La surface de montage doit être solide et sûre. N'installez pas l'appareil au-dessus de boîtiers ou branchements électriques.
- Positionnez l'appareil sur la surface de montage. Vérifiez que l'appareil est à niveau. Fixez l'appareil au mur avec quatre (4) vis d'au moins un (1) pouce de long, aux points indiqués. Voir Figure 5.

### REMARQUE

Utilisez des vis adaptées au matériau du mur et au poids du chauffe-eau. Dans le cas contraire, vous risquez de vous exposer à des dommages matériels et d'endommager le chauffe-eau. Ces dommages NE sont PAS couverts par la garantie du produit.

- L'appareil doit être installé en position horizontale, avec les entrées et les sorties d'eau en-dessous. Voir Figures 7 et 8.

### AVERTISSEMENT

Ce chauffe-eau doit être installé bien droit en position verticale tel que décrit dans ce manuel. N'essayez PAS d'installer ce chauffe-eau dans un autre sens. Cela pourrait causer un mauvais fonctionnement du chauffe-eau et des dommages matériels, ainsi que des blessures personnelles graves ou la mort.

- Tirez délicatement sur le chauffe-eau pour vous assurer qu'il est correctement monté.

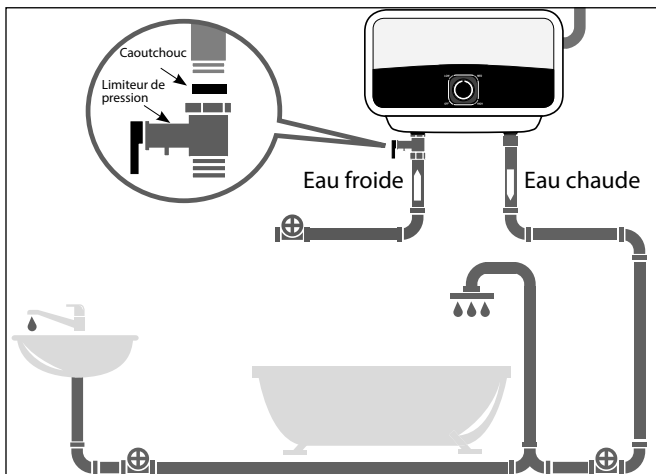


Figure 16 - Installation du limiteur de pression

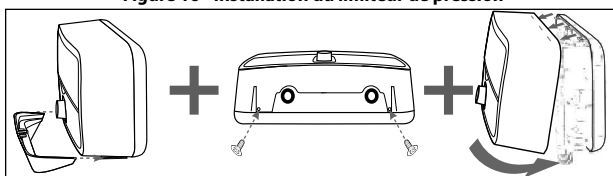


Figure 17 - Retrait du capot du chauffe-eau

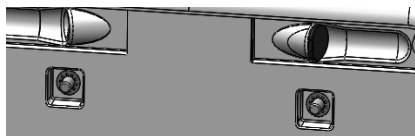


Figure 18 - Orifices de passage des fils défonçables à l'arrière de l'appareil

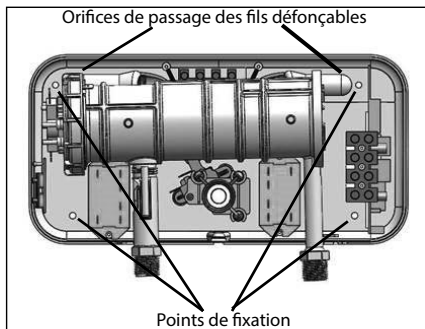


Figure 21 - Orifices de passage des fils défonçables et fixation du chauffe-eau

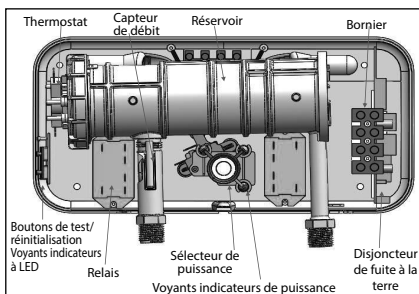


Figure 19 - Détail des composants du chauffe-eau

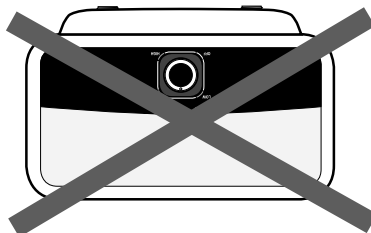
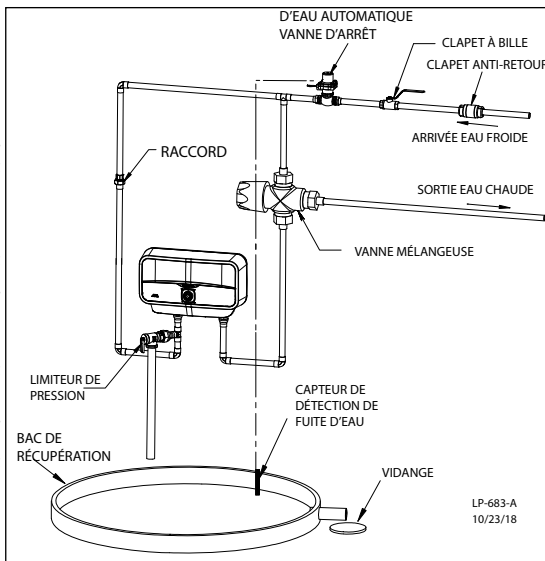


Figure 20 - N'INSTALLEZ PAS LE CHAUFFE-EAU À L'ENVERS

**REMARQUES :**

1. La taille de tuyau minimale doit correspondre à la taille du raccord. Augmentez la taille du tuyau en conséquence si un débit supérieur est requis.
2. Les vidanges et le clapet anti-retour aideront à purger l'air du système.
3. Ces dessins ont pour but d'illustrer la tuyauterie du système uniquement. L'installateur est responsable de tous les équipements et composants requis par les législations locales. Au Massachusetts, vous devez installer une soupape de sécurité casse-vide conformément à la législation 248 CMR.
4. Une soupape de sécurité température et pression n'est pas nécessaire dans la plupart des installations, mais peut être nécessaire pour respecter la législation locale, de l'état ou de la province. Si la législation requiert une soupape de sécurité température et pression, installez-en une en respectant les instructions de la législation et du fabricant.
5. La mise en place d'une vanne mélangeuse est facultative, mais elle est recommandée pour éviter les brûlures.
6. Il est vivement recommandé par le fabricant d'installer des dispositifs de détection de fuite d'eau et des vannes d'arrêt automatiques dans toutes les installations de chauffe-eau où une fuite d'eau pourrait entraîner des dommages matériels.

**Figure 22 - Détail de l'installation****B. Plomberie**

Il est obligatoire que tous les travaux de plomberie soient réalisés en conformité avec les législations et pratiques applicables à l'échelle fédérale, locale et de l'état en matière de plomberie. Si le chauffe-eau n'est pas installé correctement, la garantie SERA ANNULÉE. Il est également nécessaire d'utiliser du ruban pour filetage et de la pâte à joint sur tous les raccords de plomberie mécaniques.

Installez des raccords-unions au niveau des raccords d'eau chaude et froide afin de pouvoir facilement déconnecter le chauffe-eau pour les opérations de maintenance.

- Connectez la ligne d'arrivée d'eau au point d'entrée du chauffe-eau (entrée côté gauche) et connectez la ligne de sortie à la sortie d'eau. Utilisez un conduit capable de supporter une pression minimale de 58 psi. L'utilisation d'un autre type de conduit causera des dommages. Voir Figure 8.
- Les systèmes de plomberie résidentiels présentant une pression instable ou supérieure à 73 psi nécessitent l'application d'une vanne de stabilisation de la pression, réglée à 58 - 73 psi.
- N'installez pas l'appareil avec les entrées et sorties d'eau au-dessus. Voir Figure 7.

**ATTENTION**

N'appliquez pas de chaleur sur les raccords d'eau chaude ou d'eau froide du chauffe-eau. Si des raccords à souder sont utilisés, soudez le tuyau à l'adaptateur avant de connecter l'adaptateur aux raccords de l'eau du chauffe-eau. Toute application de chaleur sur les raccords du chauffe-eau endommagera ce dernier de manière définitive. Les dommages dus à des pratiques d'installation incorrectes NE SONT PAS couverts par la garantie.

Les pannes du chauffe-eau dues à une accumulation de calcaire sur la surface de chauffe, à un pH faible ou à un autre déséquilibre NE sont PAS couvertes par la garantie.

**C. Limiteur de pression**

Pour assurer la protection contre les pressions excessives dans le chauffe-eau, installez le limiteur de pression fourni. Une pression maximale (123 psi) est indiquée sur le limiteur de pression fourni. Installez le limiteur de pression sur l'adaptateur de la ligne d'arrivée d'eau froide du chauffe-eau et orientez-le ou placez un tuyau de telle sorte que tout refoulement de la vanne sorte à au moins 6" au-dessus du sol du bâtiment. La ligne de décharge ne doit être en contact avec aucun composant électrique alimenté. L'ouverture de refoulement ne doit être bloquée ou réduite en taille en aucune circonstance.

Les codes nationaux en vigueur en matière de plomberie requièrent l'installation d'un bac de récupération pour l'installation de n'importe quel chauffe-eau. Le choix de ne pas en installer relève de la seule responsabilité du propriétaire et/ou de l'installateur. Référence : UPC 2000 (Uniform Plumbing Code) Section 510 - Protection contre les dommages ou IPC 200 (International Plumbing code) Section 504 - Dispositifs de sécurité.

**D. Brûlures**

Ce chauffe-eau peut délivrer de l'eau brûlante. Faites attention à chaque fois que vous utilisez de l'eau chaude afin d'éviter les brûlures. Certains appareils tels que les lave-vaisselles et les lave-linges peuvent nécessiter des températures d'eau supérieures. En réglant le thermostat de ce chauffe-eau de manière à obtenir la température d'eau supérieure requise par ces appareils, vous pouvez créer un risque de blessure par brûlure.

Pour protéger les individus des risques de brûlure, installez une vanne mélangeuse dans le système d'alimentation en eau.

Cette vanne réduit la température de l'eau aux points d'utilisation en mélangeant de l'eau froide et de l'eau chaude dans les lignes de distribution d'eau. Ce type de vanne est disponible chez votre fournisseur local de matériel de plomberie. Le tableau 1 présente le rapport entre la température de l'eau et le temps d'exposition en ce qui concerne les blessures par brûlure et peut être utilisé en guise de guide pour déterminer la température de l'eau la plus sûre pour vos applications.

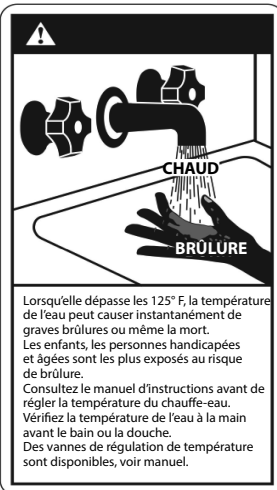
### ⚠ AVERTISSEMENT

Une vanne régulatrice de température ou vanne mélangeuse ASSE 1017 ou ASSE 1070 est recommandée dans les installations pouvant être utilisées par des personnes handicapées, âgées, ou des enfants. Les vannes mélangeuses n'éliminent toutefois pas le risque de brûlure.

Pour éviter les brûlures :

- Réglez la température de consigne du chauffe-eau au niveau le plus bas possible.
- Vérifiez la température de l'eau à la main avant le bain ou la douche.
- Si des robinets thermostatiques sont requis, utilisez des équipements spécifiquement conçus pour cet usage. Installez ces équipements en respectant les instructions fournies par le fabricant.

Si vous n'installez pas de vanne régulatrice de température ou vanne mélangeuse et que vous ne respectez pas ces instructions, vous vous exposez à des dommages matériels, des blessures personnelles graves ou la mort suite à des brûlures.



### E. Remplissage du chauffe-eau

- Assurez-vous que toutes les vannes de vidange éventuellement présentes dans le système sont complètement fermées.
- Ouvrez la vanne d'arrêt située sur la ligne d'alimentation en eau froide.
- Ouvrez les robinets d'eau chaude pour permettre à l'air de s'échapper du chauffe-eau et de la tuyauterie.
- Attendez suffisamment longtemps pour que le chauffe-eau soit entièrement rempli d'eau.
- Vérifiez s'il y a des fuites et, si nécessaire, réparez-les.

### ATTENTION

Lors du remplissage du chauffe-eau, ouvrez un robinet d'eau chaude pour libérer l'air présent dans le ballon et la tuyauterie. Le ballon doit être plein d'eau avant la mise en marche du chauffe-eau. Dans le cas contraire, cela pourrait endommager le chauffe-eau et causer d'autres dommages matériels. Ces dommages NE sont PAS couverts par la garantie du chauffe-eau.

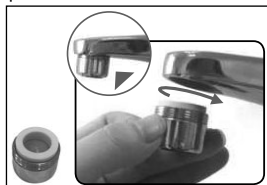


Figure 23 - Installation de l'aérateur (Modèles de 3 kW UNIQUEMENT)

### F. Installation de l'aérateur (Modèles de 3 kW UNIQUEMENT)

Pour des performances de chauffe optimales et un bon fonctionnement, l'aérateur de 0,5 GPM fourni doit être installé sur le robinet de votre évier. Cela assurera un débit continu et une montée en température cohérente. La température de sortie variera en fonction de la saison et de la température de l'eau froide à son arrivée.

**Un débit maximal de 0,5 GPM est requis pour des performances de chauffe optimales.**

## Partie 4 - Raccordement électrique

### ATTENTION

Le ballon doit être plein d'eau avant la mise sous tension. L'élément chauffant sera endommagé s'il est alimenté, même pendant une courte période, alors que le ballon est sec. Les dommages dus à une mise en marche à sec NE SONT PAS couverts par la garantie.

La tension requise et la charge de puissance dédiée sont spécifiées sur la plaque signalétique du chauffe-eau. Consultez votre fournisseur d'électricité pour déterminer si votre abonnement est adapté à la charge supplémentaire que constitue le chauffe-eau.

Ce chauffe-eau doit être raccordé à un disjoncteur de taille approprié avec du fil du bon diamètre. Tous les câblages doivent être conformes à la législation locale et au Code National de l'Électricité, et doivent être réalisés par un électricien agréé qualifié ou par le service local d'électricité. Voir Figures 4, 5, 10 et 11.

- Assurez-vous que l'alimentation électrique de l'appareil peut être coupée en utilisant les disjoncteurs dédiés se trouvant sur le tableau électrique principal.
- Connectez un câble d'alimentation constitué de fils de diamètre adapté au modèle du chauffe-eau au bornier et fixez-le avec un dispositif de décharge de traction (non fourni).
- Connectez les câbles au chauffe-eau de manière sûre et appropriée, en conformité avec le Code National de l'Électricité.
- L'appareil doit être raccordé à la terre.
- Fixez le capot du chauffe-eau une fois que les connexions ont été réalisées.

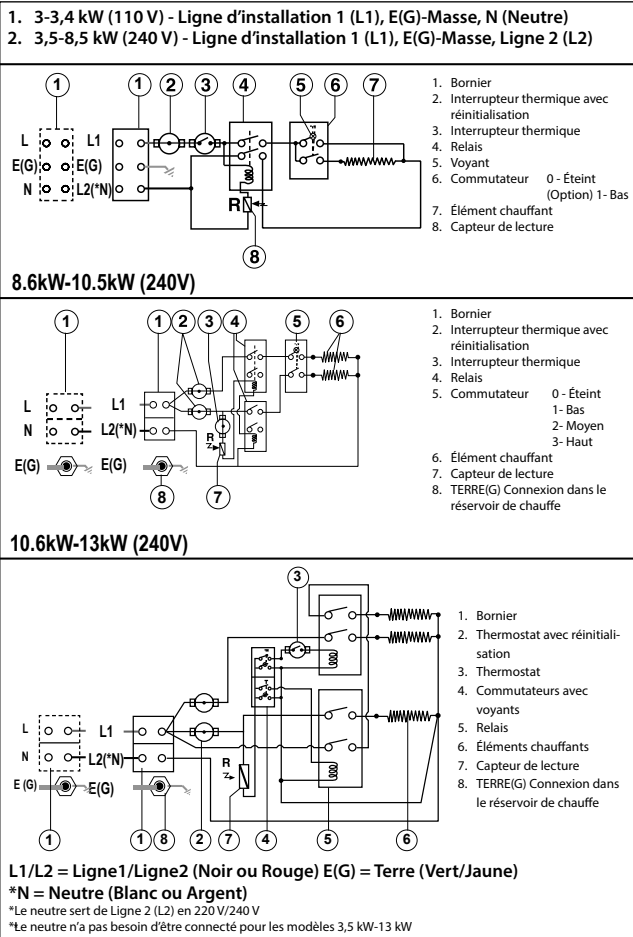
## ⚠ AVERTISSEMENT

Assurez-vous de raccorder le chauffe-eau à la terre. Dans le cas contraire, vous pourriez vous exposer à des dommages matériels, des blessures personnelles graves ou la mort.

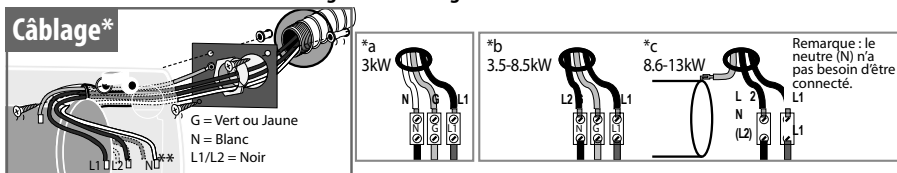
Lorsque les disjoncteurs ne sont pas visibles depuis le chauffe-eau, il faut installer un dispositif de verrouillage de disjoncteur ou un dispositif local supplémentaire de déconnexion pour tous les conducteurs non raccordés à la terre, qui soit visible depuis l'appareil (Réf. NEC 422.31).

**REMARQUE** : il est recommandé de faire tester les connexions électriques du chauffe-eau une fois par an par un technicien qualifié.

Une fois le câblage terminé, faire glisser le couvercle inférieur gris du chauffe-eau à la main afin de le remettre en place. Utilisez les deux (2) vis retirées précédemment lors du processus d'installation pour fixer le capot avant du chauffe-eau.



**Figure 24 - Câblage du chauffe-eau**



**Figure 25 - Détail du câblage du chauffe-eau**

## Partie 5 - Liste de contrôle de l'installation

Localisation du chauffe-eau	Oui	Non
Près de la zone de demande en eau chaude		
À l'intérieur et protégé des températures inférieures à zéro		
Lieu ne présentant pas de vapeurs inflammables		
Mesures prises pour protéger la zone des dégâts des eaux		
Espace suffisant pour la maintenance du chauffe-eau		
Soupape de sécurité	Oui	Non
Limiteur de pression correctement installé et ligne de refoulement allant jusqu'à l'égout		
Ligne de refoulement protégée contre le gel		
Câblage	Oui	Non
La tension de l'alimentation électrique correspond à celle indiquée sur la plaque signalétique du chauffe-eau		
Fil du circuit de dérivation et fusible ou disjoncteur de taille appropriée		
Connexions électriques serrées et appareil correctement raccordé à la terre		
Alimentation en eau	Oui	Non
Chauffe-eau complètement rempli d'eau AVANT l'utilisation de l'appareil		
Air purgé du chauffe-eau et de la tuyauterie		
Raccordements de l'eau bien serrés et sans fuites		

Table 11 - Liste de contrôle de l'installation

## Partie 6 - Utilisation

### ATTENTION

Le chauffe-eau doit être rempli d'eau avant la mise sous tension. Le chauffe-eau sera endommagé s'il est alimenté à sec, même pendant une courte période. Les dommages dus à une mise en marche à sec NE SONT PAS couverts par la garantie.

### A. Démarrage et essai

- Alimentez le chauffe-eau en électricité en agissant sur le disjoncteur correspondant.
- Tournez la molette de commande dans le sens des aiguilles d'une montre.
- Le voyant situé sur la molette de commande s'allume jusqu'à ce que la température ait atteint le réglage de température du thermostat. Le voyant se rallumera à chaque fois que la température de l'eau dans le ballon descendra sous le réglage du thermostat.

### B. Réglage du thermostat

La température de l'eau chaude est réglée en tournant la molette située sur le capot avant.

- Tournez la molette dans le sens des aiguilles d'une montre pour augmenter la température.
- Tournez la molette dans le sens inverse des aiguilles d'une montre pour diminuer la température.
- Après avoir ajusté la température de l'eau, laissez suffisamment de temps au chauffe-eau pour qu'il chauffe l'eau à la température demandée. Lorsque le chauffe-eau a arrêté de chauffer, mesurez la température de l'eau au point d'eau chaude le plus proche dans le bâtiment.
- La température peut s'étendre de 90 à 134,6°F (30 à 57°C).

*Puissance (kW)	Puiss. faible	Puiss. moyenne	Puiss. haute
3	1	2	3,1
6,5	3	3,5	6,5
8,5	3,8	4,7	8,5
10,5	5,25	5,25	10,5
13	4,5	8,5	13

Table 12 - Guide de fonctionnement par modèle (en kW)

## Partie 7 - Maintenance

### AVERTISSEMENT

N'essayez pas de réparer vous-même le chauffe-eau. Appelez un technicien de maintenance qualifié pour toute intervention d'assistance. Coupez toujours l'alimentation électrique du chauffe-eau avant de procéder à sa maintenance ou de le vidanger. Dans le cas contraire, vous pourriez vous exposer à des dommages matériels, des blessures personnelles graves ou la mort.

### REMARQUE

Pour la plupart de ces interventions de maintenance, l'eau devra être vidangée du chauffe-eau. Pour toutes ces opérations, l'alimentation électrique doit être coupée au niveau du disjoncteur et le capot avant doit être retiré.

### A. Retrait du capot

- Faites délicatement levier autour de la molette à l'aide d'un petit tournevis à tête plate.
- Faites glisser le couvercle inférieur à la main pour le retirer. (Figure 3.)
- Retirez les deux (2) vis qui fixent le capot avant du chauffe-eau. Retirez le capot avant.
- Lors du remontage, suivez la procédure en sens inverse.

### B. Vidange du chauffe-eau

Si le chauffe-eau a été installé avec une vanne de vidange, coupez l'arrivée d'eau au chauffe-eau. Ouvrez un robinet ou une sortie du système. Ensuite, ouvrez la vanne de vidange pour vidanger le chauffe-eau.

### C. Retrait de l'élément chauffant

- Coupez l'alimentation électrique et vidangez le chauffe-eau.
- Retirez le capot avant en suivant les instructions ci-dessus. Déconnectez les fils de l'élément. Voir Figure 13.
- Utilisez une clé à tuyau pour retirer le cache de protection de l'élément du système de chauffage de l'eau.
- Retirez délicatement l'élément chauffant.

### D. Détartrage de l'élément chauffant

Les dépôts de calcaire peuvent affecter la capacité chauffante de l'élément. Un entartrage sévère peut même endommager l'élément. L'élément peut être détartré en utilisant des produits chimiques ou manuellement.

- Faites tremper l'élément dans du vinaigre blanc ou dans une solution de détartrage alimentaire dont l'utilisation est autorisée dans les systèmes d'eau potable.
- Une fois l'élément détartré, rincez-le bien avec de l'eau fraîche / une solution de bicarbonate de soude.

L'élément peut aussi être détartré manuellement :

- Une fois que l'élément a séché, utilisez une brosse souple (non métallique pour éviter d'endommager le fourreau de l'élément).
- Brossez afin d'éliminer les minéraux séchés.

Remettez l'élément en place une fois le détartrage terminé. Assurez-vous que la garniture de l'élément est installée et que les fils de ce dernier sont rebranchés correctement.

## ATTENTION

Assurez-vous que le ballon a bien été rempli d'eau avant de remettre le chauffe-eau sous tension. Les dommages dus à une mise en marche à sec NE SONT PAS couverts par la garantie.

## Partie 8 - Dépannage

Problème	Cause possible	Solution
<b>L'eau n'est pas assez chaude</b>	Débit d'eau trop élevé dans le chauffe-eau	Réduisez le débit au niveau du robinet ou fermez légèrement la vanne d'arrêt au niveau du tuyau d'arrivée d'eau afin de diminuer le débit
	Diminution de la température ambiante ou réglage de température trop faible	Augmentez le réglage de température sur l'appareil
	Pression d'eau inférieure à 7 psi (0,5 bar)	Assurez-vous que la vanne d'arrêt est complètement ouverte et que la ligne d'alimentation en eau n'est pas obstruée
	Panne électrique	Contactez un électricien qualifié ou votre distributeur local agréé pour une intervention
<b>L'eau est trop chaude</b>	Débit d'eau trop faible dans le chauffe-eau	Augmentez le débit au niveau de la sortie d'eau
	Augmentation de la température ambiante ou réglage de température trop haut	Réglez une température inférieure
<b>Le chauffe-eau s'arrête en cours d'utilisation</b>	Coupure de courant ou câblage défectueux	Vérifiez l'alimentation électrique et le disjoncteur. Si le problème persiste, contactez un électricien qualifié.
<b>L'eau cesse de s'écouler</b>	Les tuyaux ou flexibles d'eau sont obstrués	Assurez-vous que la vanne d'arrêt principale est complètement ouverte et que rien n'obstrue la ligne d'alimentation en eau
	Pas d'alimentation en eau	

Problème	Cause possible	Solution
<b>Fluctuation de la température du chaud au froid pendant l'utilisation</b>	La pression de l'eau est tombée en-dessous du niveau minimum	Augmentez le débit depuis la source d'alimentation en eau
<b>Pas d'eau chaude alors que la vanne d'arrêt de la ligne d'alimentation en eau est complètement ouverte</b>	Coupure de courant ou câblage défectueux	Vérifiez l'alimentation électrique et le disjoncteur.
	Le débit requis pour activer l'élément chauffant (0,5 gpm) n'a pas été atteint.	Augmentez le débit depuis la source d'alimentation en eau. Nettoyez le tamis du filtre situé au niveau de l'arrivée d'eau froide de l'appareil en coupant le disjoncteur, en ouvrant la vanne pour libérer la pression de l'appareil et en réarmant le disjoncteur.
	Le capteur de température maxi s'est déclenché	Vérifiez que les boutons de réinitialisation de température maxi sont enfoncés. Suivez les étapes indiquées dans ce manuel pour réinitialiser le commutateur.
<b>Fuites</b>	Vérifiez s'il y a des fuites au niveau des robinets	Vérifiez les robinets d'eau. Retirez le capot avant et inspectez la garniture de l'élément chauffant.
	Si le ballon fuit	Coupez l'alimentation en eau au niveau de la vanne d'arrêt. Coupez l'alimentation électrique du chauffe-eau et consultez la garantie pour savoir si le chauffe-eau est toujours sous garantie.

Table 13 - Dépannage

## ⚠ AVERTISSEMENT

Le risque de blessure par brûlure augmente lorsque vous augmentez la température de l'eau. Un réglage inférieur est plus économique et réduit le risque de brûlure. Utilisez un mitigeur ou une vanne mélangeuse et faites très attention lorsque vous utilisez de l'eau chaude afin d'éviter les brûlures. Consultez les législations afin d'assurer la conformité du système. Le non-respect des instructions de cet avertissement peut entraîner de graves blessures personnelles ou la mort suite à des brûlures.

Veillez à déconnecter l'alimentation électrique avant toute opération de maintenance. Dans le cas contraire, vous pourriez vous exposer à une électrocution, des dommages matériels considérables, des blessures personnelles graves ou la mort.

## ATTENTION

S'il est nécessaire de vidanger le chauffe-eau, ouvrez la soupape de sécurité ou un robinet d'eau chaude pour éviter la dépression dans le ballon et la tuyauterie.

### A. Réinitialisation des commutateurs de température maxi

Occasionnellement, il se peut que le dispositif d'arrêt pour température maxi déclenche les boutons de réinitialisation. Cela se produit lorsque la température dépasse 185°F / 85°C. Les dispositifs d'arrêt peuvent aussi se déclencher en cas de coupure de courant ou d'orage électrique.

Pour accéder aux commutateurs de température maxi :

- Coupez le disjoncteur et retirez le capot avant.
- Localisez les boutons de réinitialisation à droite du réservoir de l'unité de chauffe. Voir Figure 12.
- Appuyez fermement sur les boutons de réinitialisation avec la pointe d'un stylo bille ou d'un objet similaire.

## ATTENTION

Appelez un technicien si les commutateurs de température maxi doivent être réinitialisés fréquemment.

### B. Vérification du fonctionnement du thermostat

Pour vérifier le fonctionnement du thermostat :

- Tournez la molette de température de la position d'arrêt à la position de température basse. Ouvrez un robinet d'eau chaude pour créer une demande d'eau chaude sur le chauffe-eau. Vérifiez la température de l'eau à la sortie avec un thermomètre. Si l'eau est trop chaude ou qu'elle ne chauffe pas, mettez le chauffe-eau hors tension et appelez un technicien de maintenance qualifié.
- Si l'eau chauffe correctement, tournez la molette jusqu'au réglage désiré. **REMARQUE** : un réglage inférieur est plus économique et réduit le risque de brûlure.

**REMARQUE** : après avoir ajusté la température de l'eau, laissez suffisamment de temps au chauffe-eau pour qu'il chauffe l'eau à la température demandée. Ensuite, utilisez un thermomètre pour mesurer la température de l'eau à un robinet d'eau chaude du bâtiment.

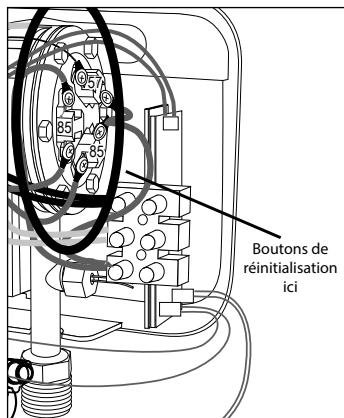


Figure 26 - Emplacement des boutons de réinitialisation



### C. Changement de l'élément chauffant

- Coupez l'alimentation électrique et vidangez le chauffe-eau (voir la procédure expliquée dans ce manuel).
- Retirez l'élément chauffant (voir la procédure expliquée dans ce manuel).
- Installez un nouvel élément avec sa garniture, en vous assurant qu'ils sont tous deux positionnés correctement. Utilisez une clé à tuyau pour serrer le cache de protection de l'élément.
- Rebranchez les fils à l'élément. Réinstallez le capot avant (voir la procédure expliquée dans ce manuel).
- Remplissez à nouveau le chauffe-eau avant de rétablir l'alimentation électrique.

### D. Changement du thermostat

- Coupez l'alimentation électrique.
- Débranchez les connecteurs des fils des thermostats. Veillez à noter / étiqueter les fils retirés pour vous aider lors de leur réinstallation.
- Utilisez une clé de 8 mm ou un tournevis à embout hexagonal pour retirer les (6) écrous et boulons du réservoir. Voir Figure 13. Faites attention de ne pas perdre ces écrous et boulons. Le thermostat de rechange n'est pas fourni avec des écrous et boulons de rechange.
- Retirez le couvercle en plastique.
- Installez le ou les nouveau(x) thermostat(s).
- Remettez en place le couvercle en plastique.
- Utilisez une clé de 8 mm ou un tournevis à embout hexagonal pour remettre en place les (6) écrous et boulons sur le réservoir.
- Reconnectez les fils.
- Rétablissez l'alimentation électrique du chauffe-eau et observez son fonctionnement.



Figure 27 - Emplacement des écrous et boulons

## Partie 9 - Pièces de rechange

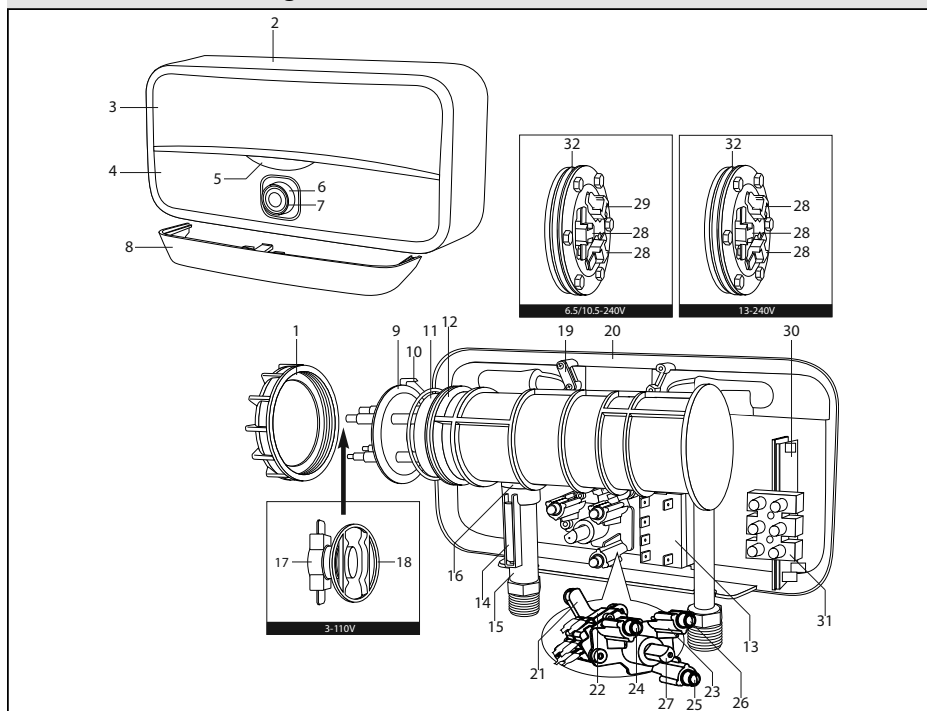


Figure 28 - Pièces de rechange

Réf. article	Description	Pièce N°				
		Modèle				
		3 kW	6,5 kW	8,5 kW	10,5 kW	13 kW
1	Grosse bague en plastique	65118337				
2	Capot avant	65118338				
3	Panneau supérieur	65118339				
4	Panneau inférieur	65118340				
5	Logo	65118341				
6	Molette (réglage)	65118342				
7	Bague de molette	65118343				
8	Couvercle inférieur	65118344				
9	Élément chauffant	65118418	65118419		65118421	65118422
10	Joint torique pour bride profonde	65180269				
11	Manchon SS	65180307				
12	Ballon de chauffe	65162074	65118345			
13	Relais	65118346				
14	Capteur (Reed)	65180318				
15	Tuyau d'arrivée	65118347				
16	Joint torique 14x2.62	65180221				
17	Thermostat ELTH avec réinitialisation	65180209				
18	Support pour thermostat	65118286				
19	Support pour câble	65118294				
20	Capot arrière	65118348				
21	Boîtier du sélecteur de puissance	65118293				
22	Micro-interrupteur 3 contacts	65180239				
23	Support pour LED	65118349				
24	LED (Fil bleu + marron)	65118350				
25	LED (Fil jaune + noir)	65118351				
26	LED (Fil noir + rouge)	65118352				
27	Axe de la molette	65118295				
28	Thermostat 85C		65118353			
29	Thermostat T1		65180328			
30	Carte de circuit imprimé LED	65118354				
31	Bornier	65153714				
32	Garniture 3 mm		65118420			

Table 14 - Numéros des pièces de rechange

**Garantie limitée**  
**Chauffe-eau électrique instantané**  
**Mono et multipoint Everlast**

Le fabricant garantit que chaque chauffe-eau électrique pour point d'utilisation de petite capacité et ses composants sont dépourvus de défauts matériels et de fabrication, selon les termes, conditions et pour les périodes ci-dessous. SAUF INDICATION CONTRAIRE, CES GARANTIES DÉBUTENT À COMPTER DE LA DATE D'INSTALLATION. Cette garantie limitée n'est applicable qu'à l'acheteur original (ci-après appelé le « Propriétaire ») du chauffe-eau et ne peut pas être transférée à autrui.

**PÉRIODES DE GARANTIE**

Chauffe-eau électrique Slim Multi	Pièces	Ballon
	Deux (2) ans	Six (6) ans

**COUVERTURE**

A. Au cours des deux (2) premières années après la date originale d'installation, le fabricant garantit qu'il réparera ou remplacera, à sa discrétion, tout composant défectueux ou défaillant du chauffe-eau. Les pièces de rechange seront garanties pour une période de quatre-vingt-dix (90) jours.

B. Si jamais un défaut ou un dysfonctionnement entraîne une fuite d'eau au niveau du chauffe-eau au cours des six (6) premières années à compter de la date originale d'installation, due à un défaut matériel ou de fabrication, un dysfonctionnement ou à la non-conformité avec la garantie ci-dessus, et si ce défaut ou dysfonctionnement a été vérifié par un représentant agréé du fabricant, ce dernier réparera ou remplacera, à sa discrétion, le chauffe-eau défectueux ou défaillant. Le chauffe-eau sera remplacé par le modèle comparable le plus proche disponible au moment du remplacement. Le chauffe-eau de rechange sera garanti pendant le reste de la période de garantie encore en vigueur pour le chauffe-eau d'origine.

C. En cas de fuite d'eau sur un chauffe-eau de rechange due à un défaut matériel ou de fabrication, un dysfonctionnement ou à la non-conformité avec la garantie ci-dessus, le fabricant se réserve le droit de rembourser au Propriétaire le prix de vente public en vigueur au moment de la fabrication du chauffe-eau d'origine.

D. Si des réglementations gouvernementales, une certification industrielle ou d'autres normes similaires exigent que le chauffe-eau de rechange ou son(s) composant(s) présentent des fonctionnalités non présentes sur le chauffe-eau ou le(s) composant(s) défectueux, le Propriétaire se verra facturer la différence de prix impliquée par ces fonctionnalités. Si le Propriétaire paie la différence de prix entraînée par ces fonctionnalités requises et/ou pour mettre à niveau la taille et/ou d'autres fonctionnalités disponibles sur un nouveau chauffe-eau ou un(des) composant(s) de rechange, le Propriétaire recevra également une nouvelle garantie limitée complète pour ce chauffe-eau ou ce(s) composant(s) de rechange.

E. Si, au moment d'une demande d'intervention, le Propriétaire ne peut pas fournir une copie du reçu d'achat ou de l'enregistrement de la garantie, la période de garantie du chauffe-eau sera considérée comme ayant commencé à la date de fabrication du chauffe-eau et NON à la date d'installation de ce dernier, qui sera alors couvert pendant le reste de la période de garantie détaillée ci-dessus.

F. Cette garantie ne s'applique qu'aux chauffe-eaux utilisés dans le cadre de systèmes de production d'eau chaude qui ont été correctement installés par des professionnels qualifiés dans le respect des instructions d'installation du fabricant.

G. Il est expressément convenu entre le fabricant et le Propriétaire que la réparation, le remplacement ou le remboursement sont les seuls recours du Propriétaire.

**RESPONSABILITÉS DU PROPRIÉTAIRE**

Le Propriétaire ou l'Installateur qualifié / Technicien de maintenance doit :

1. Installer avec le chauffe-eau une soupape de sécurité portant les marquages de l'American Society of Mechanical Engineers (ASME) en conformité avec les législations fédérales, de l'état et

locales.

2. Installer avec le chauffe-eau une soupape de sécurité cassé-vidé certifiée conforme à la norme ANSI Z21.22 - Soupapes de sécurité pour systèmes d'alimentation en eau chaude - en conformité avec les législations fédérales, de l'état et locales et dans les installations sujettes aux dommages dû au vide.

3. Assurer la maintenance du chauffe-eau selon la procédure de maintenance indiquée dans les instructions fournies par le fabricant. Des opérations de maintenance préventive peuvent aider à éviter les arrêts inutiles du chauffe-eau et lui permettre de toujours fonctionner avec une efficacité optimale.

4. Conserver tous les composants du système en bon état de fonctionnement.

5. Utiliser le chauffe-eau à des pressions d'eau ne dépassant pas la pression d'exercice indiquée sur la plaque signalétique.

6. Protéger le chauffe-eau des dépôts de calcaire pouvant l'endommager.

7. Prendre les mesures nécessaires pour que, si jamais le chauffe-eau n'importe lequel de ses composants ou raccords devait fuir, l'écoulement d'eau en résultant ne cause pas de dommages à la zone dans laquelle il est installé.

**EXCLUSIONS DE LA GARANTIE**

Cette garantie limitée ne couvre pas :

1. Tout chauffe-eau acheté auprès d'un revendeur non autorisé.  
 2. Tout chauffe-eau n'ayant pas été installé par un installateur de chauffage / technicien de maintenance qualifié, ou les installations non conformes aux normes ANSI, CSA, et/ou UL, ainsi qu'à toutes les législations nationales ou locales applicables dans le secteur du bâtiment.

3. Les déplacements ayant pour objectif d'enseigner au Propriétaire comment installer, utiliser, effectuer la maintenance du chauffe-eau ou mettre son installation en conformité avec les législations et réglementations locales en vigueur dans le secteur du bâtiment.

4. La qualité du travail de l'installateur, quel qu'il soit. Le fabricant décline toute responsabilité en cas d'installation, de réparation ou de maintenance incorrecte.

5. Les coûts d'électricité ou de combustible, leur augmentation ou les économies non réalisées en la matière, pour quelque raison que ce soit.

6. Tout dégât des eaux décollant, directement ou indirectement, de n'importe quel défaut du chauffe-eau ou de l'un ou plusieurs de ses composants ou de son utilisation.

7. Tous les dommages indirects, consécutifs, spéciaux ou contingents ou les dépenses dérivant, directement ou indirectement, de tout défaut du chauffe-eau ou de l'utilisation de ce dernier.

8. Le fait de ne pas placer le chauffe-eau dans un endroit où les éventuelles fuites du ballon ou des raccords de la ligne d'alimentation en eau et de la soupape de sécurité ne risquent pas d'entraîner des dommages à la zone adjacente au chauffe-eau ou aux étages inférieurs du bâtiment, ainsi que le fait de ne pas installer le chauffe-eau dans ou avec un bac de récupération de dimensions adaptées relié à un point de vidage approuvé.

9. Tous les composants défaillants du système non fabriqués par le fabricant comme faisant partie du chauffe-eau.

10. Les chauffe-eaux réparés ou modifiés sans l'accord écrit du fabricant.

11. Les dommages, dysfonctionnements ou pannes résultant d'une installation incorrecte, du non-respect lors de l'installation des législations/ordonnances applicables dans le domaine du bâtiment ou des bonnes pratiques en matière de plomberie et d'électricité ; ou le non-respect des instructions fournies par le fabricant pour l'utilisation et la maintenance du chauffe-eau.

12. Les dommages, dysfonctionnements et pannes résultant de l'utilisation du chauffe-eau à des pressions dépassant la pression d'exercice indiquée sur la plaque signalétique.

13. La non-utilisation du chauffe-eau dans un système ouvert, ou dans un système fermé doté d'un vase d'expansion thermique correctement dimensionné et installé.

14. Les pannes ou problèmes de performances causés par le mauvais dimensionnement du chauffe-eau, du dispositif d'expansion, de la tuyauterie, de la tension électrique d'exercice, du câblage ou des fusibles.

15. Les dommages, dysfonctionnements ou pannes résultant de conditions de vide.

16. Les dommages, dysfonctionnements ou pannes causés par l'utilisation du chauffe-eau avec des composants modifiés, altérés ou non approuvés, ou avec tout composant / accessoire non fourni par le fabricant.

17. Les dommages, dysfonctionnements ou pannes causés par une utilisation abusive, un accident, un incendie, une inondation, le gel, la foudre, une réaction électrochimique, des catastrophes naturelles et similaires.

18. Les pannes du ballon (fuites) causées par l'utilisation du chauffe-eau dans une atmosphère corrosive ou contaminée.

19. Les dommages, dysfonctionnements ou pannes causés par l'utilisation du chauffe-eau avec un ballon totalement ou partiellement vide (« marche à sec »), ou les pannes causées par l'utilisation du chauffe-eau alors qu'il n'est pas alimenté en eau potable, libre de circuler en toutes circonstances.

20. Les pannes du chauffe-eau dues à l'accumulation de matières solides ou de dépôts de calcaire.

21. Tout dommage ou panne résultant d'une mauvaise composition chimique de l'eau ou du fait que l'on a chauffé autre chose que de l'eau potable. EXIGENCES EN MATIÈRE DE COMPOSITION CHIMIQUE DE L'EAU - pH de l'eau compris entre 6,5 et 8,5. Dureté inférieure à 7 grains (120 mg/L). Concentration en chlorure inférieure à 100 ppm (mg/L). MTD inférieures à 500 ppm (mg/L).

22. La génération de bruit, goût, odeurs, décoloration ou eau couleur rouille.

23. Les chauffe-eaux remplacés pour des raisons esthétiques.

24. Les composants du chauffe-eau qui ne sont pas défectueux mais doivent être remplacés pendant la période de garantie suite à une usure normale.

25. Les composants du chauffe-eau couverts par les garanties, le cas échéant, de leurs fabricants ; le fabricant n'adopte pas ces garanties.

26. Les dommages, dysfonctionnements et pannes résultant de l'utilisation de tout accessoire non fourni par le fabricant.

27. Les chauffe-eaux installés en-dehors des cinquante états (et le District de Columbia) des États-Unis d'Amérique et du Canada.

28. Les chauffe-eaux déplacés de leur lieu d'installation d'origine.

29. Les chauffe-eaux dont les plaques signalétiques ont été retirées.

## PROCÉDURES À SUIVRE POUR LES DEMANDES D'INTERVENTION SOUS GARANTIE

Toute demande d'assistance au titre de la garantie doit être adressée dans les plus brefs délais. Déterminez si le chauffe-eau est « sous garantie » (c'est à dire si la période de garantie applicable n'est pas terminée) en consultant une copie du reçu d'achat original ou de l'enregistrement de la garantie. Le Propriétaire doit présenter une copie du reçu d'achat original ou de l'enregistrement de la garantie pour faire une demande d'intervention au titre de la garantie.

Si le chauffe-eau est « sous garantie », contactez le revendeur auprès duquel le chauffe-eau a été acheté (ou l'installateur) pour pouvoir bénéficier de l'assistance. Soyez prêt à fournir au revendeur ou à l'installateur une copie du reçu original, les numéros de modèle et de série de l'appareil, et la date d'installation du chauffe-eau, ainsi qu'à lui expliquer le problème rencontré avec ce dernier.

La couverture par la garantie est soumise à validation de la prise en charge « sous garantie » par le personnel du département réclamations du fabricant. Tous les composants supposés défectueux ou défaillants doivent être retournés au fabricant par le biais des mêmes canaux de distribution locaux que ceux qui ont été utilisés pour l'achat original. **REMARQUE : tous les composants ou chauffe-eaux retournés au fabricant pour analyser s'ils sont couverts par la garantie deviendront la propriété du fabricant et ne seront pas rendus, même si l'application de la garantie est refusée.** Si toutes les conditions de la garantie sont satisfaites, le fabricant fournira des composants de rechange au revendeur.

Si vous avez des questions à propos de la couverture par cette garantie, veuillez contacter le fabricant à l'adresse ou au numéro

de téléphone ci-dessous : «HTP (une entreprise du groupe Ariston Thermo), 272 Duchaine Blvd, New Bedford, MA, 02745 Attention: Warranty Service Department, 1 (774) 271 3108.

## FRAIS DE MAINTENANCE, MAIN D'ŒUVRE ET EXPÉDITION

Sauf interdiction spécifique de la loi de l'état applicable, c'est le Propriétaire, et non le Fabricant, qui sera responsable et devra donc payer tous les frais de main d'œuvre ou autres dépenses engagées pour le retrait, la réparation ou le remplacement de l'appareil ou de n'importe lequel de ses composants déclarés défectueux ou toute dépense engagée pour réparer tout défaut du produit. Ces frais comprennent, mais sans s'y limiter, les dépenses suivantes :

1. Tous les frais de transport, expédition, manutention et livraison engagés pour faire parvenir un nouvel appareil ou une ou plusieurs pièces de rechange au propriétaire.
2. Tous les frais nécessaires ou indirects liés au retrait de l'appareil ou du ou des composants défectueux et à l'installation d'un nouvel appareil ou d'une ou plusieurs pièces de rechange neuves.
3. Tous les frais administratifs encourus par le Propriétaire ainsi que le matériel nécessaire et/ou les autorisations requises pour l'installation d'un nouvel appareil ou d'une ou plusieurs pièces de rechange neuves.
4. Tous les frais nécessaires ou indirects liés au retour du chauffe-eau défectueux ou d'un ou plusieurs composants à une adresse indiquée le fabricant.

## LIMITATIONS DE VOTRE GARANTIE ET RECOURS

**LES GARANTIES QUI PRÉCÈDENT SONT EXCLUSIVES ET SONT DONNÉES ET ACCEPTÉES DANS LA MESURE DU POSSIBLE DANS LE CADRE DE LA LOI APPLICABLE À LA PLACE DE TOUTES LES AUTRES GARANTIES, EXPRESSES OU IMPLICITES, Y COMPRIS, SANS S'Y LIMITER, LES GARANTIES IMPLICITES DE QUALITÉ MARCHANDE ET D'APTITUDE À UN USAGE PARTICULIER ET TOUTE OBLIGATION, RESPONSABILITÉ, DROIT, RÉCLAMATION OU RECOURS EN RESPONSABILITÉ CONTRACTUELLE OU DÉLICTELLE, QUE LE PROBLÈME DÉRIVE OU NON DE LA NÉGLIGENCE, RÉELLE OU SUPPOSÉE, DU FABRICANT. LES RECOURS DU PROPRIÉTAIRE DEVRONT SE LIMITER À CEUX MENTIONNÉS ICI, EXCLUANT TOUT AUTRE RECOURS INCLUANT, SANS S'Y LIMITER, LES DOMMAGES INDIRECTS OU CONSÉCUTIFS, LESDITS DOMMAGES INDIRECTS ET CONSÉCUTIFS INCLUANT, SANS S'Y LIMITER, LES DOMMAGES MATÉRIELS, LA PERTE DE PROFIT OU LES DOMMAGES SUPPOSÉS AVOIR ÉTÉ CAUSÉS PAR TOUT MANQUEMENT DU FABRICANT AUX OBLIGATIONS IMPOSÉES PAR CET ACCORD, NOTAMMENT SON OBLIGATION DE RÉPARATION ET DE REMPLACEMENT EXPOSÉE PLUS HAUT. AUCUN ACCORD MODIFIANT OU ÉTENDANT LES PRÉCÉDENTES GARANTIES, LES RECOURS OU CETTE LIMITATION NE POURRA LIER LE FABRICANT. À MOINS QU'IL NE SOIT ÉTABLI PAR ÉCRIT ET SIGNÉ PAR UN REPRÉSENTANT D'UNEMENT AUTORISÉ DU FABRICANT. LES GARANTIES ÉTABLIES ICI NE SONT PAS TRANSFÉRABLES ET NE POURRONT BÉNÉFICIER QU'AU PROPRIÉTAIRE.**

## ABSENCE D'AUTRES GARANTIES

Cette garantie donne au Propriétaire des droits légaux spécifiques. Le Propriétaire peut aussi avoir d'autres droits qui varient d'un état à l'autre. Certains états ne permettent pas l'exclusion ou la limitation des dommages indirects ou consécutifs, de sorte qu'il se peut que cette limitation ou exclusion ne s'applique pas au Propriétaire.

Ces garanties sont les seuls garanties écrites applicables au chauffe-eau fabriqué et vendu par le fabricant. Le fabricant n'assume ni n'autorise quiconque à assumer pour lui aucune autre obligation ou responsabilité en relation avec lesdits chauffe-eaux.

Le fabricant se réserve le droit de modifier les spécifications et de cesser la fabrication de modèles sans préavis.

**Formulaire d'enregistrement d'installation chez le client**

Le formulaire qui va suivre doit être rempli par l'installateur / technicien de maintenance qualifié afin que vous puissiez conserver une trace de l'installation en cas de demande d'application de la garantie. Après avoir lu les remarques importantes en bas de la page, veuillez également signer ce document.

Nom du client	
Date d'installation	
Adresse d'installation	
Modèle de l'appareil / Numéro(s) de série	
Observations	
Code / Nom de l'installateur	
Numéro de téléphone de l'installateur	
Signature de l'installateur	
Signature du client	
Remarques relatives à l'installation	

**IMPORTANT**

Client : veuillez ne signer ce document qu'une fois que l'installateur / technicien de maintenance qualifié a entièrement contrôlé l'installation, la sécurité, le bon fonctionnement et la maintenance du système. Si le système présente des problèmes, quels qu'ils soient, veuillez appeler l'installateur / technicien de maintenance qualifié. Si vous ne parvenez pas à le joindre, veuillez appeler votre représentant commercial.

Distributeur / Revendeur : Veuillez renseigner les coordonnées de contact.

## RECUADROS DE ATENCIÓN ESPECIAL

A lo largo de este manual se utilizan los siguientes términos para llamar la atención sobre la presencia de distintos niveles de riesgo y amenazas o sobre información importante del producto.



### PELIGRO

**PELIGRO** indica una situación de peligro inminente que, si no se evita, ocasionará serios daños personales o la muerte.



### ADVERTENCIA

**ADVERTENCIA** indica una situación potencialmente peligrosa que, si no se evita, puede ocasionar serios daños personales o la muerte.



### PRECAUCIÓN

**PRECAUCIÓN** indica una situación potencialmente peligrosa que, si no se evita, puede ocasionar daños personales leves o moderados.

### PRECAUCIÓN

**Cuando se utiliza PRECAUCIÓN sin el símbolo de alerta de seguridad** indica una situación potencialmente peligrosa que, si no se evita, puede causar daños en la propiedad.

### AVISO

**AVISO** se utiliza en las prácticas que no provocan lesiones personales.

### Prólogo

Este manual debe utilizarse junto con el resto de la documentación proporcionada con el calentador de agua. Dicha documentación incluye toda la información de control relacionada. Es importante leer todo el manual, la documentación que se incluye con el sistema y las publicaciones adicionales antes de realizar ningún trabajo. La instalación de cumplir la normativa local, estatal y del sector para este tipo de equipos de calentamiento de agua.

Autoridad competente: la autoridad competente puede ser, federal, estatal, local o particular, como el jefe de bomberos, jefe de la oficina de prevención de incendios, departamento de trabajo o de salud, funcionarios de la construcción, jefe de instalaciones eléctricas u otros organismos públicos. En algunos casos, esta función la asume el propietario de la propiedad o su representante. En las instalaciones gubernamentales la autoridad competente puede ser el jefe al mando o el funcionario del departamento.

**NOTA:** El fabricante se reserva el derecho de modificar las especificaciones técnicas del producto y los componentes sin previo aviso.

### Para el instalador

Este calentador de agua debe instalarlo personal cualificado y autorizado. El instalador debe seguir las instrucciones suministradas con el calentador de agua y los requisitos de la empresa suministradora y la normativa local.

#### Las instalaciones deben cumplir:

Las leyes, ordenanzas y normativa local, estatal, provincial y nacional.

La última versión de *National Electrical Code, NFPA N° 70*.

#### Table of Contents

<b>Part 1 - General Safety Information</b>	<b>3 Part 4 - Electrical Connection</b>	<b>10</b>
A. When Servicing the Water Heating System	<b>4 Part 5 - Installation Checklist</b>	<b>12</b>
B. Heater Water	<b>4 Part 6 - Operation</b>	<b>12</b>
C. Freeze Protection	4 A. Starting and Testing	12
D. Water Temperature Adjustment	4 B. Thermostat Adjustment	12
<b>Part 2 - Prepare the Water Heater</b>	<b>5 Part 7 - Maintenance</b>	<b>12</b>
A. Model Overview	5 A. Removing the Cover	13
B. Locating the Water Heater	5 B. Draining the Heater	13
C. Water Chemistry Requirements	6 C. Removing the Heating Element	13
D. Technical Specifications and Dimensions	7 D. Descaling the Heating Element	13
<b>Part 3 - Installation Instructions</b>	<b>7 Part 8 - Troubleshooting</b>	<b>13</b>
A. Wall Mounting the Water Heater	7 A. Resetting the High Limit Switches	14
B. Plumbing	9 B. Checking Thermostat Operation	14
C. Pressure Relief Device (PRD)	9 C. Changing the Heating Element	15
D. Scalding	9 D. Changing the Thermostat	15
E. Filling the Heater	<b>10 Part 9 - Replacement Parts</b>	<b>15</b>
F. Aerator Installation (3kW Models ONLY)	10 Limited Warranty	17
	Customer Installation Record Form	19

## ⚠ ADVERTENCIA

### INSTRUCCIONES IMPORTANTES DE SEGURIDAD

Cuando utilice aparatos eléctricos, debe seguir las precauciones básicas de seguridad para reducir los riesgos de incendio, descargas eléctricas o daños personales:

1. LEA TODAS LAS INSTRUCCIONES ANTES DE USAR EL CALENTADOR DE AGUA.
2. Este calentador de agua debe tener toma de tierra.
3. Instale o coloque el calentador de agua según las instrucciones de instalación suministradas.
4. Utilice este calentador de agua solo para el uso previsto según se describe en este manual.
5. Para la conexión eléctrica, utilice los cables AWG o más grandes, que soporten al menos 194 °F (90 °C).
6. El calentador debe estar conectado al disyuntor específico en el cuadro eléctrico principal.
7. Complete la instalación del circuito del agua antes de la instalación eléctrica.
8. Para la instalación del circuito del agua se necesitan tubos metálicos o mangueras reforzadas que soporten una presión de hasta 116 psi.
9. El dispositivo de descarga de presión suministrado debe estar instalado en la tubería de suministro de agua.
10. Para garantizar un funcionamiento correcto, es necesario un caudal mínimo de 0.55 gpm.
11. No instale el calentador en un lugar expuesto a luz solar directa, lluvia, salpicaduras o temperaturas bajo cero.
12. Antes de conectar la unidad a la red eléctrica, póngase en contacto con la compañía eléctrica para asegurarse de que la red cumpla los requisitos necesarios.
13. No utilice este calentador si tiene los cables dañados, si no funciona correctamente, si ha sufrido daños o se ha caído.
14. Este calentador debe ser reparado sólo por personal cualificado. Póngase en contacto con el instalador del calentador de agua o un técnico cualificado para que lo examine, repare o ajuste.

### GUARDE ESTAS INSTRUCCIONES

## Parte 1: Instrucciones generales de seguridad

Este calentador de agua solo es apto para instalaciones interiores y no debe utilizarse como calentador de piscina. El calentador debe tener espacio suficiente para poder realizar tareas de mantenimiento: 24 pulgadas en la parte frontal, 6 pulgadas en la parte superior, 24 pulgadas en el lado izquierdo, 6 pulgadas en el lado derecho y 12 pulgadas en la parte inferior. Además, el calentador de agua debe instalarse a 18 pulgadas del suelo como mínimo. (Se admiten puertas o paneles desmontables para el espacio delantero.) Este calentador de agua se puede instalar en armarios. Instale el calentador de agua en una ubicación donde no dañe el entorno en caso de fugas de agua. Si no dispone de una ubicación que cumpla este requisito, coloque una bandeja de recogida de agua auxiliar.

## ⚠ ADVERTENCIA

**Instalador:** Lea las instrucciones de este manual antes de instalar el aparato. Siga los pasos en el orden establecido.

**Usuario:** Este manual solo debe usarlo un instalador de calefacción o técnico de servicio. Este calentador de agua debe ser inspeccionado/revisado por un técnico de servicio cualificado.

**SI NO CUMPLE LAS INSTRUCCIONES DE ESTA PÁGINA, PUEDE CAUSAR DAÑOS IMPORTANTES EN LA PROPIEDAD, LESIONES GRAVES O INCLUSO LA MUERTE.**

**NOTA:** Si el calentador de agua está expuesto a lo siguiente, no lo utilice. Llame inmediatamente a un técnico de servicio cualificado.

1. Fuego
2. Daños
3. Agua

De lo contrario, puede causar daños importantes en la propiedad, lesiones graves o incluso la muerte.

**NOTA:** Cumpla toda la normativa local. Obtenga todos los permisos necesarios antes de instalar el calentador de agua.

**NOTA:** Instale la tubería y los componentes del sistema de modo que no reduzcan el rendimiento de los sistemas resistentes al fuego.

**NO UTILICE ESTE CALENTADOR DE AGUA SI SE HA SUMERGIDO EN AGUA PARTE DEL MISMO.** Llame inmediatamente a un técnico de servicio cualificado. **CAMBIE** el calentador de agua si se ha sumergido en agua. Si intenta usar un calentador de agua que se ha sumergido en agua, pueden crearse distintas situaciones de peligro, por ejemplo un posible escape de gas que provoque un incendio o explosión, o bien, la liberación de hongos, bacterias u otras partículas nocivas en el ambiente. Si utiliza un calentador que se ha sumergido en agua, puede causar daños importantes en la propiedad, lesiones graves o incluso la muerte.

**NOTA:** Los daños causados en el calentador de agua a causa de inundaciones o sumersión se consideran un acto fortuito y NO están cubiertos por la garantía del producto.

El fabricante no es responsable de los daños causados debido a una instalación incorrecta o por no haber seguido las instrucciones de este manual.

**PRECAUCIÓN**

No utilice este calentador de agua para usos distintos a los previstos (descritos en este manual). Si lo hace, puede causar daños en la propiedad y SE ANULARÁ la garantía del producto.

Las fuentes de calor (que generan 100 °F/37 °C o más, como salidas de humos, calentadores ambientales, etc.) pueden dañar los componentes de plástico del calentador de agua y también la tubería de ventilación de plástico. Estos daños NO ESTÁN cubiertos por la garantía. Se recomienda dejar una distancia mínima de 8 pulgadas desde las fuentes de calor. Respete las instrucciones del fabricante de la fuente de calor, además de las leyes, ordenanzas y normativa local, estatal, provincial y nacional cuando instale el calentador de agua y sus componentes cerca de fuentes de calor.

**A. Cuando realice el mantenimiento del calentador de agua**

**⚠️ ADVERTENCIA**

Asegúrese de desconectar la corriente eléctrica antes de realizar las tareas de mantenimiento. De lo contrario, puede causar daños importantes en la propiedad, descargas eléctricas, lesiones graves e incluso la muerte.

Para evitar descargas eléctricas, desconecte el suministro eléctrico antes de realizar las tareas de mantenimiento.

**NOTA:** Si tiene preguntas sobre el mantenimiento o la solución de problemas, tenga a mano el número de modelo y número de serie del calentador de agua que figuran en la etiqueta de características.

Para evitar quemaduras, deje enfriar el calentador de agua y el equipo correspondiente antes de llevar a cabo las tareas de mantenimiento.

**B. Calentador de agua**

No utilice componentes de sellado o de limpieza a base de petróleo en el calentador de agua. Pueden dañarse las juntas y los anillos del sistema. Esto puede causar daños importantes en la propiedad.

No utilice “remedios caseros” o “específicos”. Podría dañarse el calentador y causar daños importantes en la propiedad y lesiones graves.

**C. Protección contra escarcha**

**NOTA:** Tenga en cuenta las tuberías y la instalación cuando elija la ubicación para el calentador.

**⚠️ ADVERTENCIA**

Las averías del calentador por que se ha congelado el agua, NO ESTÁN cubiertas por la garantía del producto.

**⚠️ PRECAUCIÓN**

NUNCA utilice sustancias químicas tóxicas, incluido el anticongelante de glicol estándar para coches o etilenglicol para sistemas hidráulicos (no potable). Estas sustancias químicas pueden dañar las juntas y los anillos, son tóxicos si se consumen y pueden causar lesiones graves e incluso su muerte.

Si la temperatura ambiente cae por debajo de 32 °F (0 °C), proteja el calentador de posibles daños. Para ello desconecte la corriente eléctrica de la unidad mediante el disyuntor específico del cuadro eléctrico principal. Abra un grifo para que el agua circule por el calentador a bajo caudal de forma continuada, sin calentarla. Restablezca la corriente eléctrica cuando las condiciones de temperatura lo permitan.

Si se congela el agua en el interior del calentador, puede causar daños que no están cubiertos por la garantía. Si sospecha que se ha congelado el agua dentro de la unidad, no la encienda hasta no tenga la certeza de que se ha descongelado y de que no hay pérdidas en la unidad. Se recomienda contactar con un electricista cualificado o con el servicio de atención al cliente.

**D. Regulación de la temperatura del agua**

El termostato del calentador de agua está ajustado a una temperatura igual o inferior a 131 °F (55 °C). Vea la figura 1. Si el calentador de agua va a tener una temperatura nominal superior a 120 °F, se recomienda utilizar una válvula de mezclado que cumpla los requisitos de ASSE 1017 para evitar quemaduras severas o la muerte a causa de una temperatura excesivamente alta.



**Figure 29 - Termostato**

**NOTA:** Tras ajustar la temperatura del agua en el termostato, utilice un termómetro para medir la temperatura del agua en la salida de agua caliente de la estructura. El ajuste de temperatura recomendado es 118 °F.

Relación tiempo/temperatura aproximada en quemaduras	
120 °F	Más de 5 minutos
125 °F	1.5 a 2 minutos
130 °F	Unos 30 segundos
135 °F	Unos 10 segundos
140 °F	Menos de 5 segundos
145 °F	Menos de 3 segundos
150 °F	1.5 segundos aprox.
155 °F	1 segundo aprox.

**Table 15 - Relación tiempo/temperatura aprox. en quemaduras**



## ⚠️ ADVERTENCIA

En los hogares con niños, personas discapacitadas y ancianos puede ser necesario establecer un ajuste de temperatura inferior a 120 °F para evitar lesiones graves o la muerte a causa de quemaduras.

### Parte 2: Preparar el calentador de agua

Quite todas las piezas del embalaje para colocar el calentador en el lugar de instalación.

## AVISO

**DESEMBALAJE DEL CALENTADOR DE AGUA:** El destinatario debe presentar inmediatamente las reclamaciones a la empresa de transporte por daños o carencias en el envío.

## PRECAUCIÓN

**MANIPULACIÓN CON CLIMA FRÍO:** Si el calentador de agua se ha almacenado en un lugar muy frío (POR DEBAJO DE 0 °F) es necesario manipularlo con cuidado hasta que los componentes alcancen la temperatura ambiente. De lo contrario, puede dañarse.

### A. Descripción general del modelo

En la figura siguiente se detallan los componentes específicos del calentador de agua. Algunos componentes pueden venir instalados de fábrica. Esto depende del modelo de calentador.

### B. Ubicación del calentador de agua

## ⚠️ ADVERTENCIA

Este calentador de agua está certificado solo para su uso en interiores. NO LO INSTALE AL AIRE LIBRE. Las instalaciones al aire libre NO ESTÁN cubiertas por la garantía. Si no instala el calentador de agua en interiores, puede causar daños importantes en la propiedad, lesiones graves o incluso la muerte.

## PRECAUCIÓN

Con el tiempo, todos los calentadores de agua tienen pérdidas de agua. Localice la fuga de agua en la válvula de seguridad, en las tuberías, el depósito o las conexiones y asegúrese de que no dañe el área circundante o los pisos inferiores del edificio. El calentador de agua debe instalarse de manera que, en caso de fugas de agua, el flujo correspondiente no ocasione daños en la zona en la que esté instalado. La normativa nacional exige la colocación de una bandeja de recogida de agua en las instalaciones de calentadores de agua. Si no se instala una, será responsabilidad del propietario o del instalador. Referencia UPC 2000 (Uniform Plumbing Code), Sección 510 - Protección de daños o IPC 200 (International Plumbing code) Sección 504 - Dispositivos de seguridad. Los daños por pérdidas NO ESTÁN cubiertos por la garantía.

Además, en el mercado hay disponibles sistemas de detección de fugas y válvulas de cierre automático de paso de agua. EL FABRICANTE RECOMIENDA ENCARECIDAMENTE INSTALAR DISPOSITIVOS DE DETECCIÓN DE FUGAS DE AGUA Y VÁLVULAS DE CIERRE AUTOMÁTICO DE PASO DE AGUA EN INSTALACIONES DE CALENTADORES DE AGUA EN LAS QUE UNA FUGA PUEDA CAUSAR DAÑOS EN LA PROPIEDAD.

1. Área de instalación (sala de máquinas): condiciones de funcionamiento

- Asegúrese de que la temperatura ambiente es superior a 32 °F/0 °C e inferior a 104 °F/40 °C
- Evite lugares con un alto grado de humedad continuado
- No cierre los orificios de ventilación existentes

**NOTA:** Si instala el calentador en un lugar sin espacio alrededor, es posible que no pueda leer o ver la etiqueta del producto. En estos casos, se recomienda tomar nota del modelo y número de serie del calentador de agua.

**NOTA:** Se admiten puertas de combustible o paneles desmontables para el espacio delantero.

**NOTA:** El calentador y el tubo de salida del agua caliente deben quedar fuera del alcance de los niños para impedir la manipulación de los controles y el contacto con el tubo caliente.

## PRECAUCIÓN

La vida útil de las superficies metálicas expuestas del calentador de agua, como la caja de conexiones, depende directamente de la proximidad con entornos húmedos y salinos. En dichas zonas, los elevados niveles de cloruro del rocío marino junto con la humedad relativa pueden degradar los componentes del calentador de agua y producir fallos prematuros. Estos fallos NO ESTÁN cubiertos por la garantía.

Las averías del calentador a causa de unas condiciones de uso incorrectas, NO ESTÁN cubiertas por la garantía del producto.

## ⚠️ ADVERTENCIA

Condiciones ambientales inadecuadas pueden provocar daños en el sistema de calentamiento y poner en riesgo el funcionamiento correcto. Asegúrese de que la ubicación de instalación cumple los requisitos descritos en este manual. De lo contrario, puede causar daños en la propiedad, lesiones graves o incluso la muerte.

2. Elija una ubicación para el calentador de agua lo más central posible entre la tubería y el sistema eléctrico. Ubique el calentador de agua y la tubería de agua doméstica donde no estén expuestos a temperaturas bajo cero. Se recomienda aislar las tuberías. Coloque el calentador de agua de manera que pueda accederse con facilidad a los desagües, controles y entradas/salidas de agua.

**NOTA:** Para ahorrar en gastos y mejorar la eficiencia energética, reduzca al mínimo la distancia entre el calentador de agua y los accesorios para reducir la pérdida de calor por exceso de tubería y reducir al máximo la pérdida por fricción. Para evitar la pérdida de calor, asegúrese de que la tubería del agua está aislada correctamente.

**NOTA:** Si no hubiera espacio suficiente alrededor del calentador de agua, puede que sea necesario desmontarlo para realizar las tareas de mantenimiento.

**NOTA:** En el estado de California, el calentador de agua debe estar sujeto, afianzado o amarrado para evitar que se mueva en caso de terremoto. Póngase en contacto con las autoridades locales para conocer los requisitos en su zona. Visite <http://www.dsa.dgs.ca.gov> o llame a 1-916-445-8100 y solicite instrucciones.

3. Compruebe el área alrededor del calentador de agua. Quite los materiales combustibles, gasolina y otros líquidos inflamables.

**! PELIGRO**

Este calentador de agua no debe instalarse cerca de líquidos inflamables como gasolina, butano, propano licuado, colas, solventes, disolventes de pintura, etc., ya que los controles del calentador de agua pueden encender estos vapores y causar una explosión, dañar la propiedad, causar lesiones graves o la muerte.

**! ADVERTENCIA**

Este calentador de agua debe instalarse en posición vertical, tal y como se describe en este manual. NO intente instalar el calentador de agua en ninguna otra posición. Si lo hace, el calentador no funcionará correctamente y puede causar daños en la propiedad, serios daños personales o incluso la muerte.

4. Si el calentador de agua sustituye a un modelo existente, compruebe y solucione los problemas que pueda haber en el sistema existente, que pueden ser:

- Fugas en el sistema
  - El calentador de agua está expuesto a temperaturas bajo cero y gotea
5. Este calentador de agua debe instalarse en vertical sobre una superficie nivelada.

**C. Requisitos químicos del agua**

**PRECAUCIÓN**

El desequilibrio químico del suministro de agua puede afectar a la eficacia y causar daños severos en el aparato y equipo asociado. Un profesional debe analizar la calidad del agua para determinar si requiere un tratamiento. Existen varias soluciones para adaptar la calidad del agua. La mala calidad del agua afecta a la fiabilidad del sistema. Más aún, una temperatura de funcionamiento superior a 135 °F acelera la formación de sedimentos de sarro y puede acortar la vida útil del aparato. Los fallos en el aparato debido a sedimentos de sarro, pH bajo u otros desequilibrios químicos NO ESTÁ cubierto por la garantía.

El agua debe ser potable, sin corrosivos químicos, arena, suciedad u otros contaminantes y cumplir los requisitos del fabricante. Es responsabilidad del instalador asegurarse de que no haya sustancias químicas corrosivas u otros elementos que puedan dañar el intercambiador de calor. Agua potable es sinónimo de agua para beber suministrada desde la red o pozo de agua según los niveles máximos de contaminantes secundarios establecidos por la EPA (40 CFR Part 143.3). Si el nivel de contaminantes del agua es superior al establecido por la EPA y el fabricante, se recomienda tratar el agua y realizar tareas de mantenimiento con mayor frecuencia. Si sospecha que el agua está contaminada de algún modo, no utilice el aparato y póngase en contacto con un técnico autorizado o profesional cualificado.

Requisitos químicos del agua			
<b>pH</b>	6.5 - 8.5	<b>Cloruro</b>	Menos de 250 mg/L
<b>Sólidos totales disueltos (TDS)</b>	Menos de 500 mg/L	<b>Cobre</b>	Menos de 1.0 mg/L
<b>CO2 libre</b>		<b>Hierro</b>	Menos de 0.3 mg/L
<b>Dureza total</b>	Menos de 200 mg/L	<b>Manganeso</b>	Menos de 0.05 mg/L
<b>Aluminio</b>	Menos de 0.2 mg/L	<b>Zinc</b>	Menos de 5 mg/L

Table 16 - Requisitos químicos del agua

**\*NOTA:** Para alargar la vida útil del aparato, se recomienda encarecidamente seguir los procedimientos de mantenimiento de este manual.

**PRECAUCIÓN**

Los fallos en los componentes eléctricos debido a sedimentos de sarro en la superficie de calentamiento, pH bajo u otros desequilibrios NO ESTÁ cubierto por la garantía.

## D. Especificaciones técnicas y dimensiones

*Potencia (kW)	Tensión	Amperaje	Fase	Tamaño del disyuntor	Diámetro de cable requerido
3	110/120	28/29	1	1 x 30	10 AWG
6.5	240	27		1 x 30	
8.5		36		1 x 40	6 AWG
10.5		44		1 x 50	
13		54		1 x 60	4 AWG
Datos técnicos			Todos los modelos		
Caudal mínimo para activar la unidad			0.55 gpm		
Presión de trabajo			7-115 psi (0.5-8 bares)		
Presión probada			230 psi (16 bares)		
Conexiones de agua			1/2" NPT		
Elementos			1		
Dimensiones			12 pulg. (304 mm) x 7 pulg. (178 mm) x 3.85 pulg. (98 mm) (alto x ancho x fondo)		
Peso (vacío)			3.4 lb (1.54 kg)		
Intervalo de temperatura			90 - 131 °F (30 - 55 °C)		

*Potencia (kW)	110 V	120 V	208 V	240 V	Aumento de temperatura $\Delta t$ (°F)	Caudal (GPM)										
						3kW	6.5 kW	8.5 kW	10.5 kW	13 kW						
3	3.1 kW	3.5 kW	-	-	-	-	-	-	-	-						
6.5	-	-	4.9 kW	6.5 kW							35	0.59	1.26	1.65	2.04	2.53
8.5			6.4 kW	8.5 kW							45	0.45	0.98	1.28	1.59	1.97
10.5			7.9 kW	10.5 kW							77	0.26	0.57	0.75	0.93	1.15
13			9.8 kW	13.0 kW												

Table 17 - Especificaciones técnicas - \*Potencia basada en la tensión máxima.

### Parte 3: Instrucciones de instalación

Conecte el dispositivo de descarga de presión a la unidad (Figura 2).

**NOTA: IMPORTANTE:** No se salte este paso. Con este calentador de agua es necesario instalar un dispositivo de descarga de presión.

#### A. Instalación del calentador de agua en la pared

- Deslice la cubierta inferior y quite el selector con la mano. Quite los dos (2) tornillos que sujetan la cubierta frontal del calentador de agua. Quite la cubierta frontal. (Figura 3.)
- Pase los cables por el orificio de la parte posterior de la unidad (parte posterior derecha/izquierda). Vea las figuras 4 y 5.
- La superficie donde se va a instalar el aparato debe ser sólida y segura. NO instale la unidad sobre conexiones o cajas eléctricas.
- Coloque la unidad en la superficie donde se va a instalar. Compruebe que la unidad está nivelada. Instale la unidad en la pared con cuatro (4) tornillos de al menos una (1) pulgada de longitud en los puntos señalados. Vea la figura 5.

### AVISO

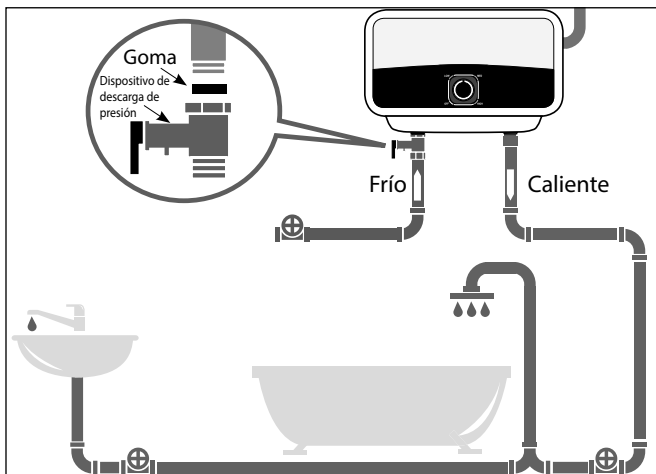
Utilice tornillos aptos para el material de la pared y el peso del calentador de agua. De lo contrario, puede causar daños en la propiedad y en el calentador de agua. Estos daños NO ESTÁN cubiertos por la garantía.

- La unidad debe instalarse en posición horizontal con la entrada y la salida del agua en la parte de abajo. Vea las figuras 7 y 8.

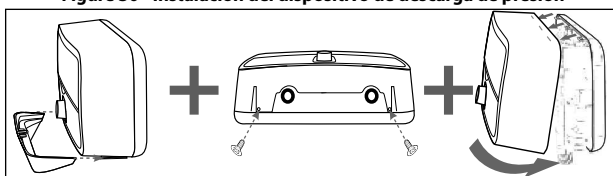
### ⚠️ ADVERTENCIA

Este calentador de agua debe instalarse en posición vertical, tal y como se describe en este manual. NO intente instalar el calentador de agua en ninguna otra posición. Si lo hace, el calentador no funcionará correctamente y puede causar daños en la propiedad, serios daños personales o incluso la muerte.

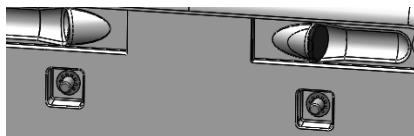
- Tire suavemente del calentador de agua para asegurarse de que está instalado correctamente.



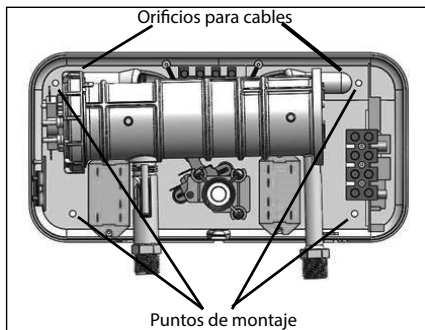
**Figure 30 - Instalación del dispositivo de descarga de presión**



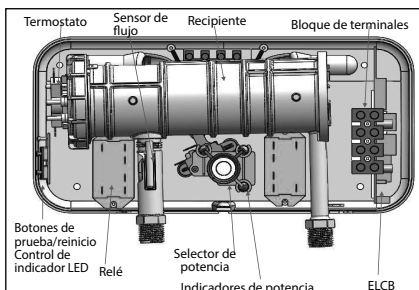
**Figure 31 - Desmontaje de la cubierta del calentador de agua**



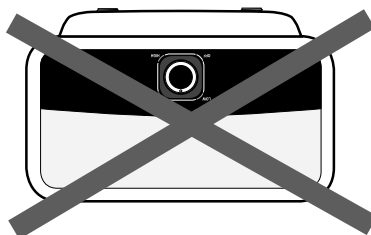
**Figure 32 - Orificios para cables en la parte posterior de la unidad**



**Figure 35 - Orificios para cables y montaje del calentador de agua**



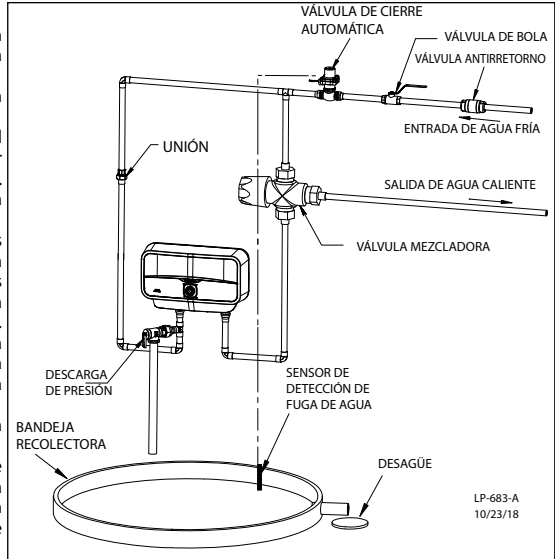
**Figure 33 - Detalle de los componentes del calentador de agua**



**Figure 34 - NO INSTALAR EL CALENTADOR DE AGUA AL REVÉS**

**NOTAS:**

1. El tamaño mínimo del tubo debe coincidir con el tamaño de la conexión. Amplíe el tubo si fuera necesario aumentar el caudal.
2. La válvula antirretorno y el desagüe permiten purgar el aire del sistema.
3. Estas figuras solo muestran las tuberías del sistema. El instalador es el responsable de proveer todos los equipos exigidos por la normativa local. En Massachusetts, es obligatorio instalar una válvula de alivio de vacío por 248 CMR.
4. En la mayoría de las instalaciones no es necesaria una válvula de seguridad combinada de temperatura y presión; sin embargo, es posible que en algunos casos sea obligatoria según la normativa estatal, provincial o local. Si la normativa requiere la instalación de una válvula de seguridad combinada de temperatura y presión, instéla de acuerdo con la normativa local y las instrucciones del fabricante.
5. Se recomienda instalar una válvula mezcladora para evitar quemaduras, pero no es obligatorio.
6. El fabricante recomienda encarecidamente instalar dispositivos de detección de fugas de agua y válvulas de cierre automático de paso de agua en instalaciones de calentadores de agua en las que una fuga pueda causar daños en la propiedad.

**Figure 36 - Detalle de la instalación****B. Tuberías**

Es obligatorio que la instalación de las tuberías cumpla la normativa local, federal y estatal. La instalación incorrecta del calentador de agua, ANULA la garantía. También es necesario usar cinta de rosca y lubricante para rosca en todas las conexiones de fontanería mecánicas.

Instale uniones en las conexiones de agua fría y caliente para desconectar el calentador de agua con facilidad cuando se realicen tareas de mantenimiento.

- Conecte la tubería de entrada de agua en el punto de entrada del calentador (entrada izquierda) y conecte la tubería de salida a la salida del agua. Utilice un tubo que resista una presión mínima de 58 psi. El uso de otros tipos de tubos provocará daños. Vea la figura 8.
- En los sistemas de fontanería residenciales con una presión inestable o una presión superior a 73 psi, es necesario instalar una válvula estabilizadora de presión establecida a 58 - 73 psi.
- No instale el aparato con entradas y salidas de agua por la parte superior. Vea la figura 7.

**PRECAUCIÓN**

No aplique calor en las conexiones de agua fría y caliente del calentador. Si se utilizan conexiones de tipo soldables, suelde la tubería al adaptador antes de empalmar el adaptador en las conexiones de agua del calentador. La aplicación de calor en las conexiones del calentador de agua, causará daños permanentes en el calentador de agua. Los daños causados por una instalación defectuosa NO ESTÁN cubiertos por la garantía.

Las averías del calentador de agua a causa de sedimentos de sarro en la superficie de calentamiento, pH bajo u otros desequilibrios NO ESTÁN cubiertas por la garantía.

**C. Dispositivo de descarga de presión**

Para evitar una presión excesiva en el calentador de agua, instale el dispositivo de descarga de presión suministrado. El dispositivo de descarga de presión está marcado con una presión máxima de 123 psi. Instale el dispositivo de descarga de presión en el adaptador de entrada de agua fría del calentador y coloque una tubería para que la descarga de la válvula salga a 6 pulgadas como mínimo por encima del suelo de la estructura. La línea de descarga no puede estar en contacto con ninguna parte eléctrica activa. La apertura de descarga no debe estar bloqueada ni se debe reducir su tamaño bajo ninguna circunstancia.

La normativa nacional exige la colocación de una bandeja de recogida de agua en las instalaciones de calentadores de agua. Si no se instala una, será responsabilidad del propietario o del instalador. Referencia UPC 2000 (Uniform Plumbing Code), Sección 510 - Protección de daños o IPC 200 (International Plumbing code) Sección 504 - Dispositivos de seguridad.

**D. Quemaduras**

Este calentador de agua puede suministrar agua a una temperatura que puede provocar quemaduras. Tenga cuidado cuando use agua caliente para evitar quemaduras. Algunos electrodomésticos como lavavajillas y lavadoras pueden requerir temperaturas altas del agua. Si ajusta el termostato de este calentador para aumentar la temperatura del agua necesaria para estos electrodomésticos, puede sufrir quemaduras.

Para protegerse de posibles daños, instale una válvula mezcladora en el sistema. Esta válvula reduce la temperatura de salida del agua mezclando agua fría y caliente en las líneas de suministro. Estas válvulas se pueden encontrar en la tienda local de productos de fontanería.

En la tabla 1 se detalla la relación entre la temperatura del agua y el tiempo con respecto a los daños por quemaduras y puede utilizarse como guía a la hora de determinar la temperatura más segura para las aplicaciones.

### ⚠️ ADVERTENCIA

Se recomienda instalar una válvula mezcladora o limitadora de temperatura con aprobación ASSE 1017 o ASSE 1070 en instalaciones que son utilizadas por ancianos, discapacitados o niños. Las válvulas mezcladoras no eliminan el riesgo de quemaduras.

Para evitar quemaduras:

- Ajuste una temperatura nominal lo más baja posible.
- Toque el agua antes de darse un baño o una ducha.
- Si fueran necesarias válvulas termostáticas, utilice dispositivos específicamente diseñados para dicha finalidad. Instale los dispositivos según las instrucciones del fabricante.

Si no instala una válvula mezcladora o limitadora de temperatura y no sigue estas instrucciones, puede causar daños a la propiedad, lesiones graves o la muerte.

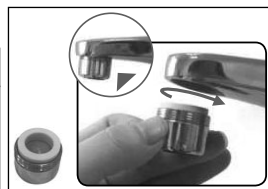


## E. Llenado del calentador

- Asegúrese de que las válvulas de desagüe están completamente cerradas.
- Abra la válvula de cierre de la línea de suministro de agua fría.
- Abra el grifo del agua para purgar el aire del calentador y la tubería.
- Deje llenar el calentador con agua.
- Compruebe si hay pérdidas de agua y solucione el problema, si hubiera.

### PRECAUCIÓN

Cuando llene el calentador de agua, abra el grifo del agua caliente para purgar el aire del depósito y las tuberías. Llene completamente el depósito antes de encender el calentador. Si no se llena el calentador de agua antes de encenderlo, se puede dañar el calentador y la propiedad. Estos daños **NO ESTÁN** cubiertos por la garantía.



**Figure 37 - Instalación del aireador (SOLO modelos 3 kW)**

## F. Instalación del aireador (SOLO modelos 3 kW)

Para un rendimiento y funcionamiento óptimos del calentador, es necesario instalar el aireador de 0.5 GPM en el grifo del fregadero. Esto garantiza un flujo continuo y que se alcance la máxima temperatura de manera consistente. La temperatura de salida varía en función de la estación y la temperatura de entrada del agua fría.

**Para un rendimiento óptimo se requiere una caudal máximo de 0.5 GPM.**

## Parte 4: Conexión eléctrica

### PRECAUCIÓN

Llene completamente el depósito antes de encender el calentador. Si enciende el calentador con el depósito vacío, aunque sea por poco tiempo, se dañará la resistencia. Los daños sufridos por el calentador porque se ha puesto en marcha estando vacío, **NO ESTÁN** cubiertos por la garantía.

Los requisitos de voltaje y potencia dedicados necesarios para el calentador de agua se especifican en la etiqueta de características del calentador. Póngase en contacto con su compañía eléctrica para determinar si su cuadro eléctrico soporta el consumo adicional del calentador.

Este calentador de agua debe conectarse al tamaño recomendado de disyuntor con el calibre de cable adecuado. La instalación eléctrica debe cumplir la normativa local y la normativa eléctrica nacional (National Electric Code) y debe ser realizada por un electricista cualificado o la compañía eléctrica local. Vea las figuras 4, 5, 10 y 11.

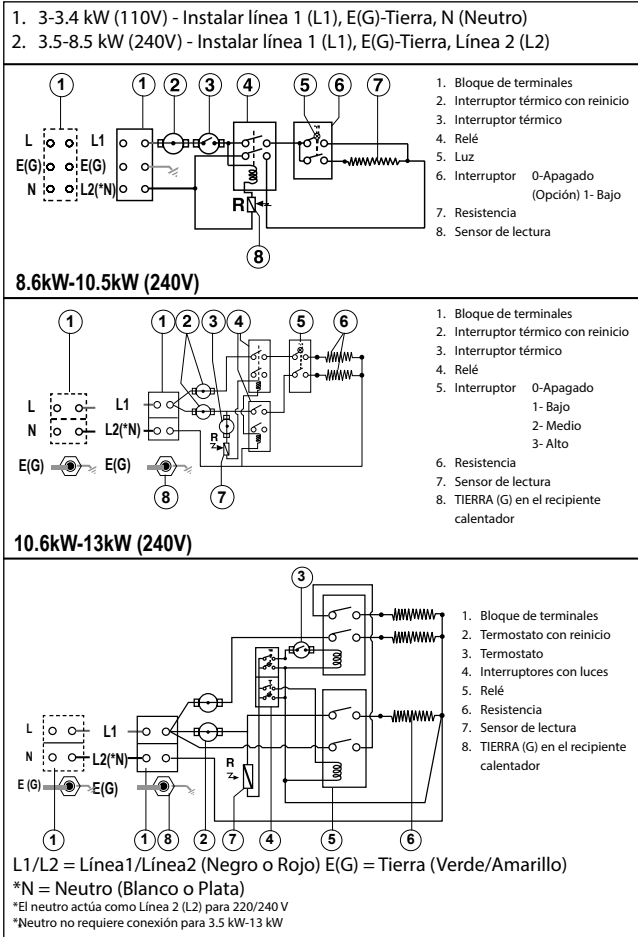
- Asegurarse de desconectar la unidad desde el disyuntor específico en el cuadro eléctrico principal.
- Conecte el cable AWG adecuado para el modelo de calentador en el bloque de terminales y asegúrelo con un sujetacables (no suministrado).
- Asegúrese de que las conexiones eléctricas se han realizado según la normativa eléctrica nacional (National Electric Code).
- La unidad debe estar conectada a tierra.
- Una vez realizadas las conexiones eléctricas, fije la cubierta del calentador de agua.

## ⚠ ADVERTENCIA

Asegúrese de que el calentador de agua tiene toma de tierra. De lo contrario, puede causar daños en la propiedad, lesiones graves o incluso la muerte.

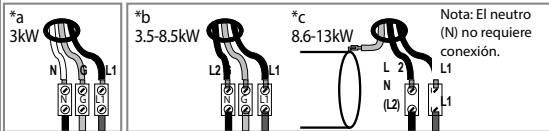
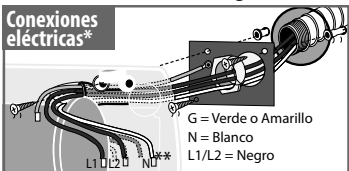
Si no se ve el calentador de agua desde los disyuntores, instale un dispositivo de bloqueo de disyuntor u otro método de desconexión para todos los conductores sin toma de tierra, que se pueda ver desde el aparato (Ref. NEC 422.31).

**NOTA:** Se recomienda que un técnico cualificado compruebe las conexiones eléctricas una vez al año. Una vez realizadas las conexiones eléctricas, deslice la cubierta gris inferior a su sitio con la mano. Para asegurar la cubierta frontal del calentador de agua, utilice los dos (2) tornillos que se han quitado anteriormente en el procedimiento de instalación.



**Figure 38 - Conexiones eléctricas del calentador de agua**

### Conexiones eléctricas\*



**Figure 39 - Detalle de las conexiones eléctricas del calentador de agua**

**Parte 5: Lista de comprobación de la instalación**

<b>Ubicación del calentador de agua</b>	<b>Sí</b>	<b>No</b>
Cerca del área de demanda de agua caliente		
En el interior y protegido de temperaturas bajo cero		
Área libre de vapores inflamables		
Se han tomado medidas para proteger el área de posibles daños por agua		
Espacio suficiente para realizar el mantenimiento		
<b>Válvula de seguridad</b>	<b>Sí</b>	<b>No</b>
El dispositivo de descarga de presión está instalado correctamente y la línea de descarga tiene un desagüe abierto		
La línea de descarga está protegida de temperaturas bajo cero		
<b>Conexiones eléctricas</b>	<b>Sí</b>	<b>No</b>
La tensión de alimentación coincide con la que figura en la etiqueta de características del calentador de agua		
El circuito en derivación y el fusor o el disyuntor son del tamaño adecuado		
Las conexiones eléctricas son firmes y la unidad tiene toma de tierra		
<b>Suministro de agua</b>	<b>Sí</b>	<b>No</b>
El calentador de agua se ha llenado completamente ANTES de poner en marcha la unidad		
Se ha purgado el aire del calentador y de las tuberías		
Las conexiones de agua son firmes y estancas		

**Table 18 - Lista de comprobación de la instalación****Parte 6: Funcionamiento****PRECAUCIÓN**

Llene completamente el calentador de agua antes de encenderlo. El calentador sufrirá daños si se pone en marcha, incluso por poco tiempo, cuando está vacío. Los daños sufridos por el calentador porque se ha puesto en marcha estando vacío, NO ESTÁN cubiertos por la garantía.

**A. Puesta en marcha y pruebas**

- Para suministrar energía al calentador de agua, encienda el disyuntor.
- Gire el selector hacia la derecha.
- El LED del selector se enciende y permanece encendido hasta que se alcanza la temperatura ajustada en el termostato. La luz se enciende cada vez que la temperatura del agua del depósito es inferior a la ajustada en el termostato.

**B. Ajuste del termostato**

Para ajustar la temperatura del agua caliente, gire el selector de la cubierta frontal.

- Gire el selector hacia la derecha para aumentar la temperatura.
- Gire el selector hacia la izquierda para reducir la temperatura.
- Una vez ajustada la temperatura del agua, deje que transcurra el tiempo suficiente para que el agua alcance la temperatura establecida. Una vez alcanzada la temperatura establecida, compruebe la temperatura en la salida de agua caliente más cercana de la instalación.
- La temperatura puede oscilar entre 90 - 134.6 °F (30 - 57 °C).

<b>*Potencia (kW)</b>	<b>Bajo kW</b>	<b>Medio kW</b>	<b>Alto kW</b>
3	1	2	3.1
6.5	3	3.5	6.5
8.5	3.8	4.7	8.5
10.5	5.25	5.25	10.5
13	4.5	8.5	13

**Table 19 - Guía de funcionamiento del modelo (por kW)****Parte 7: Mantenimiento****⚠ ADVERTENCIA**

No intente reparar el calentador de agua usted mismo. Llame a un técnico de servicio cualificado. Desconecte la corriente eléctrica del calentador antes de realizar tareas de mantenimiento o drenar el calentador. De lo contrario, puede causar daños en la propiedad, lesiones graves o incluso la muerte.

**AVISO**

En la mayoría de las tareas de mantenimiento, es necesario extraer el agua del calentador. Para realizar estas tareas, desconecte la corriente eléctrica en el disyuntor y quite la cubierta frontal.



### A. Desmontaje de la cubierta

- Quite el selector haciendo palanca con un pequeño destornillador plano.
- Deslice la cubierta inferior con la mano. (Figura 3.)
- Quite los dos (2) tornillos que sujetan la cubierta frontal del calentador de agua. Quite la cubierta frontal.
- Para volver a montar la cubierta, siga los mismos pasos en orden inverso.

### B. Desagüe del calentador

Si se ha instalado una válvula de drenaje en el calentador, cierre la entrada del agua al calentador. Abra el grifo o la salida del sistema. A continuación, abra la válvula de drenaje para vaciar el calentador.

### C. Desmontaje de la resistencia

- Desconecte la corriente eléctrica y vacíe el agua del calentador.
- Quite la cubierta frontal según las instrucciones anteriores. Desconecte los cables de la resistencia. Vea la figura 13.
- Use una llave de tubo para quitar la tapa de la resistencia del conjunto de calentamiento de agua.
- Quite la resistencia con cuidado.

### D. Descalcificación de la resistencia

Los sedimentos de sarro afectan a la capacidad térmica de la resistencia. Si se acumula mucho sarro se puede dañar la resistencia. La resistencia se puede descalcificar de forma química o manual.

- Sumerja el elemento en vinagre blanco u otra solución de descalcificación de calidad alimentaria apta para sistemas de agua potable.
- Una vez descalcificada la resistencia, aclárela con una solución de agua y bicarbonato.

La resistencia también se puede descalcificar a mano:

- Una vez que se ha secado la resistencia, cepille la resistencia con un cepillo suave (que no sea metálico para evitar que se dañe el recubrimiento).
- Quite los minerales secos con un cepillo.

Vuelva a instalar la resistencia cuando haya terminado. Asegúrese de que se instala la junta de la resistencia y que se vuelven a conectar los cables correctamente.

## PRECAUCIÓN

Asegúrese de volver a llenar el depósito con agua antes de conectar la corriente eléctrica del calentador de agua. Los daños sufridos por el calentador porque se ha puesto en marcha estando vacío, NO ESTÁN cubiertos por la garantía.

### Parte 8: Solución de problemas

Problema	Posibles causas	Solución
<b>El agua no está suficientemente caliente</b>	Entra demasiado caudal de agua en el calentador	Reducir el caudal de agua del grifo o cerrar ligeramente la válvula de paso en la entrada de agua de la unidad para reducir el caudal.
	Ha bajado la temperatura ambiente o el ajuste de temperatura es demasiado bajo	Aumentar el ajuste de la temperatura en la unidad
	La presión del agua es inferior a 7 psi (0.5 bares)	Verificar que la válvula de cierre esté completamente abierta y la línea de suministro de agua no esté bloqueada
	Fallo eléctrico	Ponerse en contacto con un electricista cualificado o con el distribuidor local autorizado para que solucione el problema
<b>El agua está demasiado caliente</b>	No entra suficiente caudal de agua en el calentador	Aumentar el caudal de suministro de agua
	Ha aumentado la temperatura ambiente o el ajuste de temperatura es demasiado alto	Seleccionar un valor de temperatura más bajo.
<b>El calentador se apaga durante el uso</b>	Corte de suministro eléctrico o cableado defectuoso	Compruebe el suministro eléctrico y el disyuntor. Si persiste el problema, póngase en contacto con un electricista cualificado.
<b>El agua deja de correr</b>	Bloqueo en los tubos o mangueras	Asegúrese de que la válvula de paso del agua está completamente abierta y no hay obstrucciones en la línea de suministro
	No hay suministro de agua	

Problema	Posibles causas	Solución
La temperatura del agua varía de fría a caliente durante el uso	La presión del agua está por debajo del nivel mínimo	Aumentar el caudal de agua
No hay agua caliente con la llave de paso de la unidad completamente abierta	Corte de suministro eléctrico o cableado defectuoso	Compruebe el suministro eléctrico y el disyuntor.
	No se ha alcanzado el caudal necesario para activar la resistencia (0.5 gpm).	Aumentar el caudal de agua. Limpie la malla filtrante en la entrada de agua de la unidad. Primero desconecte el disyuntor, abra la válvula de descarga de presión de la unidad y cuando haya terminado, conecte el disyuntor.
	Se ha activado el controlador de límite superior	Verifique que los botones de reinicio del controlador de límite superior están presionados. Siga los pasos descritos en este manual para reiniciar el interruptor.
Fugas	Comprobar si hay fugas en los empalmes	Compruebe la instalación del agua. Quite la cubierta frontal e inspeccione la junta de la resistencia.
	Si el depósito gotea	Cierre la llave de paso para cortar el suministro de agua. Desconecte la corriente eléctrica del calentador de agua y consulte la garantía para determinar si el calentador aún está en periodo de garantía.

Table 20 - Solución de problemas

**⚠ ADVERTENCIA**

El riesgo de lesiones por quemaduras aumenta al aumentar la temperatura del agua. Un ajuste más bajo es más económico y reduce el riesgo de quemaduras. Para evitar quemaduras, use una válvula mezcladora y extreme las precauciones cuando utilice agua caliente. Cumpla la normativa. Ignorar estas advertencias puede causar serios daños personales o la muerte por quemaduras.

Asegúrese de desconectar la corriente eléctrica antes de realizar las tareas de mantenimiento. De lo contrario, puede causar daños importantes en la propiedad, descargas eléctricas, lesiones graves e incluso la muerte.

**PRECAUCIÓN**

Si fuera necesario vaciar el calentador de agua, abra la válvula de seguridad o el grifo del agua caliente para evitar que se haga el vacío en el depósito y los tubos.

**A. Reinicio de los interruptores de límite superior**

En ocasiones, el dispositivo de cierre de límite de temperatura alta se activa. Esto sucede cuando la temperatura del agua es superior a 185 °F/85 °C. Los dispositivos de cierre también se activan cuando hay un corte de suministro o una tormenta eléctrica.

Para acceder a los interruptores de límite superior:

- Desconecte el disyuntor y quite la cubierta frontal.
- Localice los interruptores a la derecha del recipiente de la unidad calefactora. Vea la figura 12.
- Presione firmemente los interruptores con la punta de un bolígrafo u otro objeto similar.

**PRECAUCIÓN**

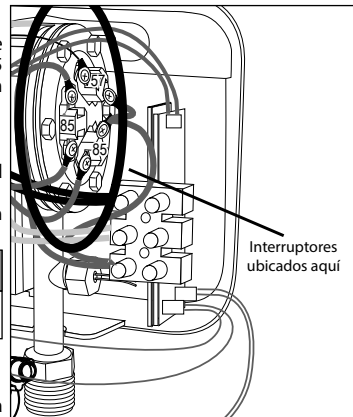
Llame a un técnico si fuera necesario presionar los interruptores de límite superior con frecuencia.

**B. Comprobación del funcionamiento del termostato**

Para comprobar el funcionamiento del termostato:

- Gire el selector de temperatura de apagado a medio. Abra una salida del agua caliente para activar el calentador de agua. Compruebe la temperatura del agua que sale con un termómetro. Si el agua que sale es demasiado caliente o si por el contrario no sale caliente, desconecte la corriente eléctrica y llame a un técnico de servicio cualificado.
- Si el agua se calienta correctamente, gire el selector hasta situarlo en el ajuste deseado. **NOTA:** Un ajuste más bajo es más económico y reduce el riesgo de quemaduras.

**NOTA:** Una vez ajustada la temperatura del agua, deje que transcurra el tiempo suficiente para que el agua alcance la temperatura establecida.



**Figure 40 - Ubicación de los interruptores de reinicio**

A continuación, utilice un termómetro para medir la temperatura del agua en la salida de agua caliente en la estructura.

### C. Cambio de la resistencia

- Desconecte la corriente eléctrica y vacíe el agua del calentador (consulte el procedimiento en este manual).
- Quite la resistencia (consulte el procedimiento en este manual).
- Instale la nueva resistencia con la junta y asegúrese de que están colocados correctamente. Use una llave de tubo para apretar la tapa de la resistencia.
- Vuelva a conectar los cables de la resistencia. Vuelva a colocar la cubierta frontal (consulte el procedimiento en este manual).
- Llene el calentador de agua con agua antes de conectar la corriente eléctrica.

### D. Cambio del termostato

- Desconecte la corriente eléctrica.
- Desconecte los conectores de cables del termostato. Anote la posición cuando quite los cables; será de ayuda cuando vuelva a instalarlos.
- Use una llave inglesa o llave de estrías de 8 mm para quitar las seis (6) tuercas y tornillos del recipiente. Vea la figura 13. Tenga cuidado de no perder los tornillos y las tuercas. No se incluyen tornillos y tuercas de repuesto con el termostato nuevo.
- Quite la cubierta de plástico.
- Instale el termostato nuevo.
- Vuelva instalar la cubierta de plástico.
- Use una llave inglesa o llave de estrías de 8 mm para volver a colocar las seis (6) tuercas y tornillos en el recipiente.
- Vuelva a realizar las conexiones eléctricas.
- Restablezca la corriente eléctrica en el calentador y compruebe si funciona correctamente.

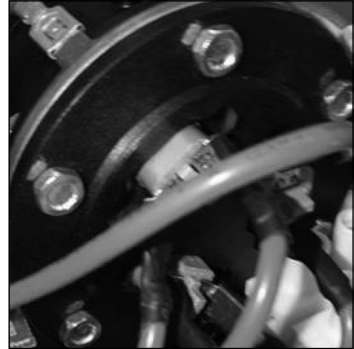


Figure 41 - Ubicación de los tornillos y tuercas

## Parte 9: Piezas de repuesto

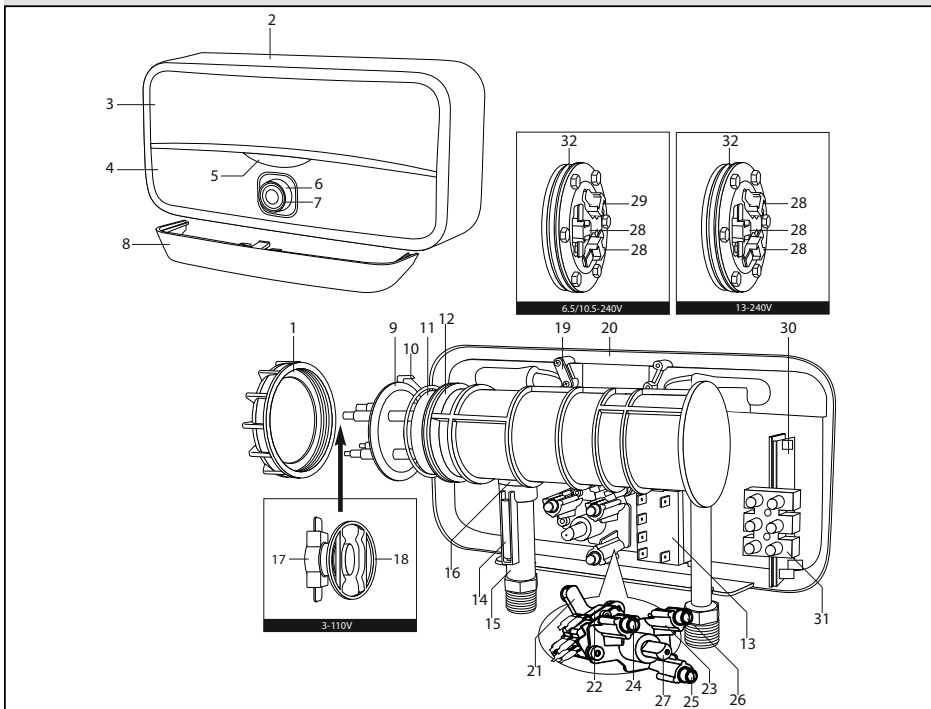


Figure 42 - Piezas de repuesto

N.º de artículo	Descripción	N.º de pieza				
		Modelo				
		3 kW	6.5 kW	8.5 kW	10.5 kW	13 kW
1	Tuerca grande de plástico	65118337				
2	Cubierta frontal	65118338				
3	Panel superior	65118339				
4	Panel inferior	65118340				
5	Logo	65118341				
6	Selector (regulación)	65118342				
7	Anillo del selector	65118343				
8	Cubierta inferior	65118344				
9	Resistencia	65118418	65118419		65118421	65118422
10	Junta tórica para brida profunda	65180269				
11	Casquillo SS	65180307				
12	Depósito de calentamiento	65162074	65118345			
13	Relé	65118346				
14	Sensor (de lectura)	65180318				
15	Tubo de entrada	65118347				
16	Junta tórica 14 x 2.62	65180221				
17	Termostato ELTH con reinicio	65180209				
18	Portatermostato	65118286				
19	Portacables	65118294				
20	Cubierta posterior	65118348				
21	Alojamiento del selector de potencia	65118293				
22	Microconmutador de 3 contactos	65180239				
23	Portalámparas LED	65118349				
24	LED (cable azul + marrón)	65118350				
25	LED (cable amarillo + negro)	65118351				
26	LED (cable negro + rojo)	65118352				
27	Eje del selector	65118295				
28	Termostato 85C		65118353			
29	Termostato T1		65180328			
30	LED PCB	65118354				
31	Bloque de terminales	65153714				
32	Junta 3 mm		65118420			

Table 21 - Números de piezas de repuesto

## Garantía limitada Calentadores de agua eléctricos sin depósito Individuales y múltiples Everlast

El fabricante garantiza en cada calentador de agua eléctrico sin depósito de pequeña capacidad y sus componentes la ausencia de defectos de fabricación y material de acuerdo con los siguientes términos, condiciones y periodos de tiempo. A MENOS QUE SE ESPECIFIQUE LO CONTRARIO, ESTA GARANTÍA ENTRA EN VIGOR EN LA FECHA DE INSTALACIÓN. La garantía limitada solo está disponible para el **comprador original** (en adelante "Propietario") del calentador de agua y no es transferible.

### PERIODOS DE GARANTÍA

Calentador de agua eléctrico Slim Multi	Piezas	Depósito
	Dos (2) años	Seis (6) años

### COBERTURA

A. Durante los dos (2) primeros años a partir de la fecha de instalación original, el fabricante garantiza que reparará o sustituirá, a su elección, cualquier componente del calentador que presente defectos o fallos de funcionamiento. Los componentes de repuesto tendrán una garantía de noventa (90) días.

B. Si un defecto o un fallo de funcionamiento provoca una fuga de agua en el calentador durante los primeros seis (6) años a partir de la fecha de instalación original debido a un defecto de fabricación o material, un fallo de funcionamiento o un incumplimiento de la presente garantía, y tras verificar este defecto o fallo de funcionamiento un representante autorizado del fabricante, el fabricante reparará o sustituirá, a su elección, el calentador en cuestión. Los repuestos serán del modelo más parecido disponible en el momento de la sustitución. El calentador de repuesto estará garantizado durante el plazo restante del periodo de garantía del calentador original.

C. Si se produce una fuga de agua en un calentador de repuesto por un defecto de fabricación o material, un fallo de funcionamiento o un incumplimiento de la presente garantía, el fabricante se reserva el derecho a reembolsar al Propietario el precio mayorista publicado disponible en la fecha de fabricación del calentador original.

D. Si la normativa gubernamental, la certificación del sector o alguna norma similar exige que el calentador o los componentes de repuesto tengan características de las que carece el calentador o los componentes defectuosos, el Propietario deberá abonar la diferencia de precio que representen las características obligatorias. Si el Propietario abona la diferencia de precio por estas características obligatorias o para mejorar el tamaño u otras características disponibles en el calentador nuevo o los componentes de repuesto, el Propietario también recibirá una garantía limitada completamente nueva para ellos.

E. A la hora de cursar una solicitud de asistencia, si el Propietario no puede presentar una copia del recibo de compra original o el registro de la garantía, se considerará que el periodo de garantía del calentador comenzó en la fecha de fabricación y NO en la de instalación, y que está cubierto durante el plazo restante del periodo de garantía detallado anteriormente.

F. Esta garantía cubre únicamente los calentadores utilizados en aplicaciones de agua caliente debidamente instalados por profesionales cualificados según las instrucciones de instalación del fabricante.

G. El fabricante y el Propietario acuerdan expresamente que la reparación, la sustitución o el reembolso son las únicas medidas resarcitorias a las que podrá recurrir el Propietario.

### RESPONSABILIDADES DEL PROPIETARIO

El Propietario o el instalador/técnico de servicio cualificado deberá:

1. Instalar con el calentador una válvula de seguridad provista de las marcas de certificación de la American Society of Mechanical Engineers (ASME) según la normativa federal, estatal y local.
2. Instalar con el calentador una válvula de alivio de vacío certificada según ANSI Z21.22 - Relief Valves for Hot Water Supply Systems de acuerdo con la normativa federal, estatal y local en instalaciones proclives a sufrir daños por vacío.
3. Mantener el calentador de acuerdo con el procedimiento de mantenimiento indicado en las instrucciones suministradas por el fabricante. El mantenimiento preventivo puede ayudar a evitar averías innecesarias en el calentador y favorecer una eficacia óptima de funcionamiento.
4. Mantener todos los componentes relacionados con el sistema en buen estado de funcionamiento.
5. Utilizar el calentador con una presión de agua que no supere la presión de trabajo indicada en la etiqueta de características.
6. Mantener el calentador limpio de los perjudiciales sedimentos de sarro.
7. Asegurarse de que el calentador y sus componentes y conexiones se instalen de manera tal que, si se presentan pérdidas debido al flujo de agua, no se provoquen daños al área en la que se encuentra instalado.

### EXCLUSIONES DE LA GARANTÍA

Esta garantía limitada no cubre:

1. Los calentadores adquiridos a distribuidores no autorizados.
2. Los calentadores que no haya instalado un instalador de calefacción/técnico de servicio cualificado ni las instalaciones que no cumplan las normas ANSI, CSA o UL y las normas de construcción nacionales o locales vigentes.
3. Las visitas de asistencia para enseñar al Propietario a instalar, utilizar, mantener o adaptar la instalación del calentador a las normas y códigos locales de construcción.
4. La mano de obra del instalador. El fabricante no asumirá ninguna responsabilidad de ningún tipo derivada de una instalación, una reparación o un mantenimiento incorrectos.
5. Los costes de electricidad o combustible, o su aumento o ahorro no percibido, sea cual sea el motivo.
6. Los daños por agua derivados, directa o indirectamente, de cualquier defecto del calentador, sus componentes o su uso.
7. Los daños imprevistos, emergentes, especiales o accidentales o los gastos derivados, directa o indirectamente, de cualquier defecto del calentador o su uso.
8. La colocación del calentador en una zona donde las fugas del depósito o las conexiones de las tuberías de agua y la válvula de seguridad puedan dañar las zonas adyacentes o las plantas inferiores del edificio, así como su instalación fuera de o sin una bandeja de recogida de agua del tamaño adecuado que desagüe en un lugar autorizado.
9. Los componentes defectuosos del sistema que no haya fabricado el fabricante como parte del calentador.
10. Los calentadores reparados o modificados sin la previa autorización escrita del fabricante.
11. Los daños, los fallos de funcionamiento o las averías resultantes de una instalación incorrecta, la instalación del calentador incumpliendo las normas/ordenanzas de construcción vigentes o las buenas prácticas de fontanería y electricidad, o el uso y el mantenimiento del calentador incumpliendo las instrucciones suministradas por el fabricante.
12. Los daños, los fallos de funcionamiento o las averías resultantes del uso del calentador con una presión superior a la presión de trabajo indicada en la etiqueta de características.
13. La no utilización del calentador en un sistema abierto o bien en un cerrado con un vaso de expansión térmica del tamaño adecuado instalado correctamente.

14. El fallo o los problemas de funcionamiento ocasionados por el tamaño inadecuado del calentador, el dispositivo de expansión, las tuberías, la tensión real de la red eléctrica, el cableado o los fusibles.
15. Los daños, los fallos de funcionamiento o las averías resultantes de las condiciones de vacío.
16. Los daños, los fallos de funcionamiento o las averías ocasionados por el uso del calentador con componentes modificados, alterados o no autorizados, o con cualquier componente/accesorio no suministrado por el fabricante.
17. Los daños, los fallos de funcionamiento o las averías ocasionados por mal uso, accidentes, incendios, heladas, rayos, reacciones electroquímicas, causas de fuerza mayor y similares.
18. Los fallos del depósito (fugas) derivados del uso del calentador en entornos corrosivos o contaminados.
19. Los daños, los fallos de funcionamiento o las averías que provoque el uso del calentador con un depósito vacío o parcialmente vacío ("combustión seca") o los fallos derivados del uso del calentador cuando no recibe agua potable que circule libremente en todo momento.
20. El fallo del calentador debido a la acumulación de materiales sólidos o sedimentos de cal.
21. Los daños o los fallos derivados de una composición química inadecuada del agua o de calentar cualquier otra cosa que no sea agua potable. REQUISITOS QUÍMICOS DEL AGUA: pH del agua entre 6.5 y 8.5. Dureza inferior a 7 granos (120 mg/L). Concentración de cloro inferior a 100 ppm (mg/L). TDS inferior a 500 ppm (mg/L).
22. La generación de ruido, sabor, olor, decoloración o agua marrón.
23. Los calentadores cambiados por razones estéticas.
24. Los componentes del calentador que no estén defectuosos pero que deban cambiarse durante el periodo de garantía por el desgaste sufrido como resultado de un uso razonable.
25. Los componentes del calentador que estén sometidos, en su caso, a la garantía de sus respectivos fabricantes; el fabricante no se hará cargo de estas garantías.
26. Los daños, los fallos de funcionamiento o las averías resultantes del uso de accesorios no suministrados por el fabricante.
27. Los calentadores instalados fuera de los cincuenta estados (y el Distrito de Columbia) de los Estados Unidos de América y Canadá.
28. Los calentadores trasladados a otro lugar desde el lugar de instalación original.
29. Los calentadores a los que se haya quitado la etiqueta de características.

#### PROCEDIMIENTOS PARA SOLICITAR ASISTENCIA EN GARANTÍA

Las solicitudes de asistencia en garantía deben realizarse sin demora. Averigüe si el calentador está en garantía (dentro del periodo de garantía) comprobando la fecha de la copia del recibo original de compra o el registro de la garantía. Para solicitar asistencia en garantía, es preciso que el Propietario presente una copia del recibo de compra original o el registro de la garantía.

Si el calentador está en garantía, póngase en contacto con el distribuidor a quien lo haya comprado (o el instalador) para solicitar asistencia. Prepare la copia del recibo original, el número de modelo y el número de serie completos, la fecha de instalación del calentador y la explicación del problema para facilitárselos al distribuidor o el instalador.

El personal del departamento de reclamaciones del fabricante deberá validar la cobertura en garantía. Los componentes presuntamente defectuosos deberán devolverse al fabricante a través de los canales de distribución del lugar donde se haya realizado la compra original. **NOTA: Todos los componentes o calentadores devueltos al fabricante para su análisis en garantía pasarán a ser propiedad del fabricante y no se devolverán aunque se haya denegado un vale de compra.** Si se satisfacen todas las condiciones de la garantía, el fabricante

facilitará los componentes de repuesto al distribuidor.

Para cualquier pregunta relativa a la cobertura de esta garantía, póngase en contacto con el fabricante en la siguiente dirección o número de teléfono: "HTP (una empresa de Ariston Thermo Group), 272 Duchaine Blvd, New Bedford, MA, 02745 A la atención de: Warranty Service Department, 1 (774) 271 3108."

#### COSTES DE ASISTENCIA, MANO DE OBRA Y ENVÍO

Salvo que lo prohíba específicamente la ley estatal vigente, el Propietario, y no el fabricante, se hará responsable y correrá con todos los gastos de mano de obra u otros gastos en que incurra por la retirada, reparación o sustitución del aparato o componente objeto de reclamación o de cualquier gasto en que incurra para solucionar cualquier defecto del producto. Dichos gastos incluyen, entre otros:

1. Todos los costes de transporte, envío, manipulación y entrega al Propietario de un aparato nuevo o de piezas de repuesto.
2. Todos los costes necesarios o imprevistos de retirar el aparato o los componentes defectuosos e instalar un aparato nuevo o las piezas de repuesto.
3. Todas las tasas administrativas en que incurra el Propietario, así como el material necesario para realizar la instalación del aparato nuevo o las piezas de repuesto, y de los permisos necesarios para ello, y
4. Todos los costes necesarios o imprevistos de devolver el calentador o los componentes defectuosos al lugar que designe el fabricante.

#### LIMITACIONES DE LA GARANTÍA Y LAS MEDIDAS RESARCITORIAS

**LA PRESENTE GARANTÍA ES EXCLUSIVA Y SE OTORGA Y ACEPTA EN LA MEDIDA EN QUE LO PERMITA LA LEGISLACIÓN VIGENTE Y EN LUGAR DE CUALQUIER OTRA GARANTÍA, YA SEA EXPRESA O IMPLÍCITA, INCLUIDA, ENTRE OTRAS, LA GARANTÍA IMPLÍCITA DE COMERCIABILIDAD E IDONEIDAD PARA UN FIN DETERMINADO, Y CUALQUIER OBLIGACIÓN, RESPONSABILIDAD, DERECHO, RECLAMACIÓN O MEDIDA RESARCITORIA, CONTRACTUAL O EXTRA CONTRACTUAL, YA SE DERIVE O NO DE LA NEGLIGENCIA EFECTIVA O IMPUTADA DEL FABRICANTE. LAS MEDIDAS RESARCITORIAS DEL PROPIETARIO SE LIMITARÁN A LAS AQUÍ EXPUESTAS Y EXCLUIRÁN CUALQUIER OTRA MEDIDA RESARCITORIA, INCLUIDAS, ENTRE OTRAS, LAS DERIVADAS DE DAÑOS IMPREVISTOS O EMERGENTES, COMO POR EJEMPLO DAÑOS PATRIMONIALES, LUCRO CESANTE O DAÑOS PRESUNTAMENTE CAUSADOS POR EL INCUMPLIMIENTO DEL FABRICANTE DE ALGUNA DE LAS OBLIGACIONES ESTABLECIDAS EN EL PRESENTE CONTRATO, INCLUIDA LA OBLIGACIÓN DE REPARACIÓN Y SUSTITUCIÓN EXPUESTA ANTERIORMENTE. NO SERÁ VINCULANTE PARA EL FABRICANTE NINGÚN ACUERDO QUE MODIFIQUE O AMPLIE LA PRESENTE GARANTÍA, LAS MEDIDAS RESARCITORIAS O ESTA LIMITACIÓN. A MENOS QUE SE OTORQUE POR ESCRITO Y ESTÉ FIRMADO POR UN DIRECTIVO DEL FABRICANTE DEBIDAMENTE AUTORIZADO. LA GARANTÍA AQUÍ ESTIPULADA NO ES TRANSFERIBLE Y SOLO SE EXTIENDE A FAVOR DEL PROPIETARIO.**

#### GARANTÍA ÚNICA

La presente garantía otorga derechos legales específicos al Propietario. Es posible que el Propietario también tenga otros derechos y que estos varíen de un estado a otro. Algunos estados no permiten la exclusión o limitación de los daños imprevistos o emergentes, por lo que dicha limitación o exclusión no será aplicable al Propietario.

Esta es la única garantía escrita aplicable al calentador de agua que fabrica y vende el fabricante. El fabricante no asume ni autoriza a nadie a asumir en su nombre ninguna otra obligación o responsabilidad en relación con dichos calentadores.

El fabricante se reserva el derecho a cambiar las especificaciones o a dejar de fabricar modelos sin previo aviso.

**Formulario de registro de instalación del cliente**

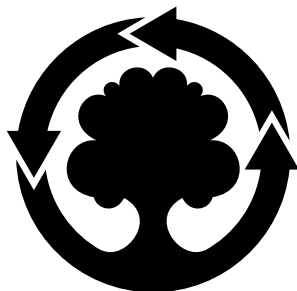
El instalador/técnico de servicio cualificado deberá rellenar el formulario siguiente para que usted lo guarde como justificante de instalación en caso de cursar una reclamación en garantía. Después de leer las notas importantes del final de la página, también deberá firmar este documento.

Nombre del cliente	
Fecha de instalación	
Dirección de instalación	
Modelo de producto/número de serie	
Comentarios	
Código/nombre del instalador	
Número de teléfono del instalador	
Firma del instalador	
Firma del cliente	
Notas de instalación	

**IMPORTANTE**

Cliente: Firme únicamente después de que el instalador/técnico de servicio cualificado haya revisado completamente la instalación, la seguridad, el funcionamiento correcto y el mantenimiento del sistema. Si el sistema presenta algún problema, llame al instalador/técnico de servicio cualificado. Si no puede establecer contacto, llame a su representante de ventas.

Distribuidor: Introduzca los datos de contacto.



WE MAKE USE OF  
RECYCLED PAPER



---

**Ariston Thermo S.p.A.**

Viale Aristide Merloni, 45  
60044 Fabriano (AN)  
Tel. (+39) 0732.6011  
ariston.com

198856 - 12/2018